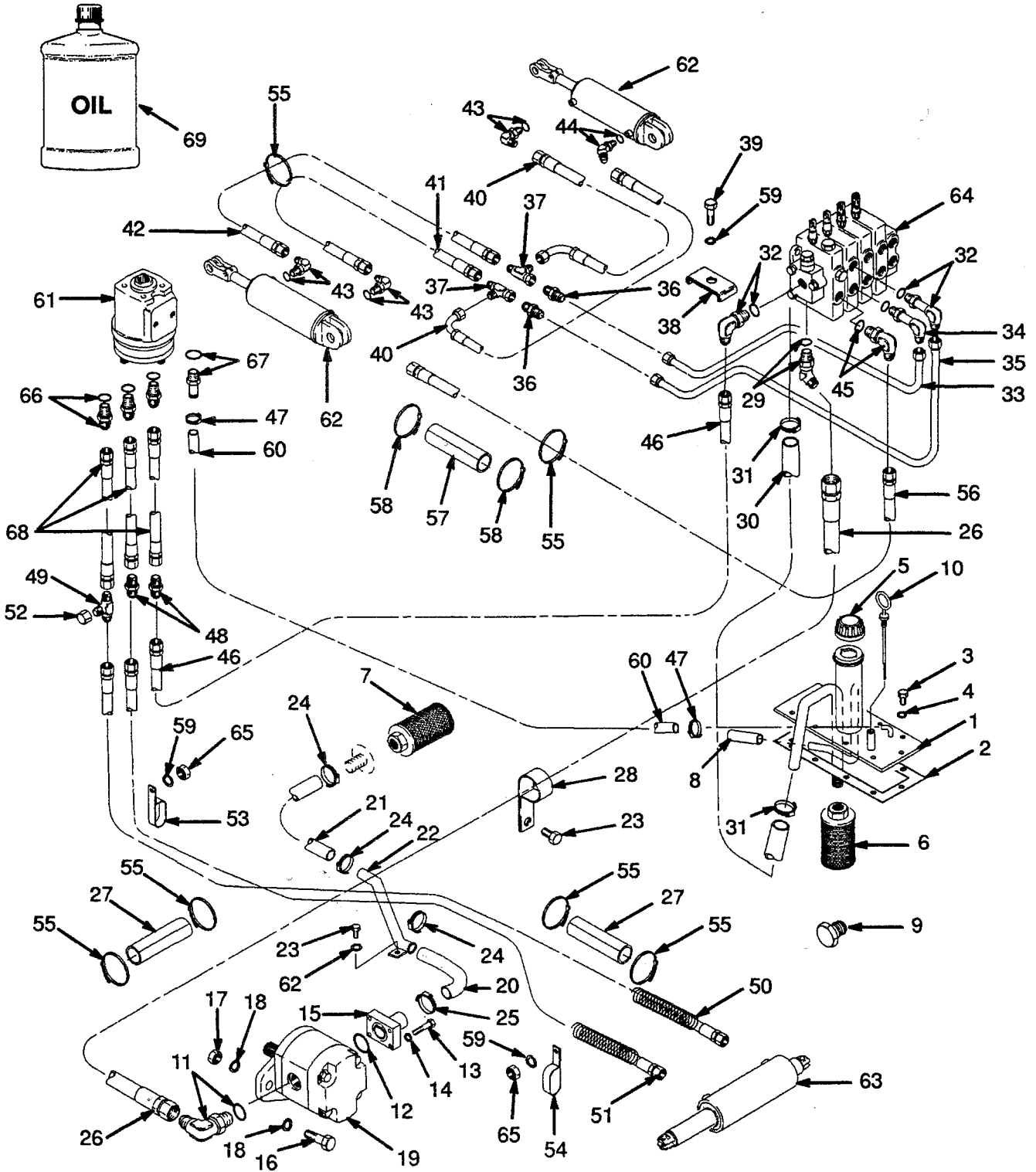


HYDRAULIC

Double Gear Pump Diesel 2,5L Engine	Page 232
Four Function Control Valve Dual Relief Valve	Page 248
Four Function Control Valve Single Relief	Page 246
Hydraulic Pump Petrol and LPG	Page 230
Hydraulics Group First Used on S/N D001B-3023	Page 228
Hydraulics Group Last Used on S/N D001B-3022	Page 226
Pump Drive Diesel 2,5L	Page 236
Pump Drive Petrol and LPG 2,0L	Page 234
Three Function Control Valve Dual Relief Valve	Page 242
Three Function Control Valve Single Relief	Page 240
Tilt Cylinder	Page 250
Valve Attaching Parts Four Function	Page 244
Valve Attaching Parts Three Function	Page 238

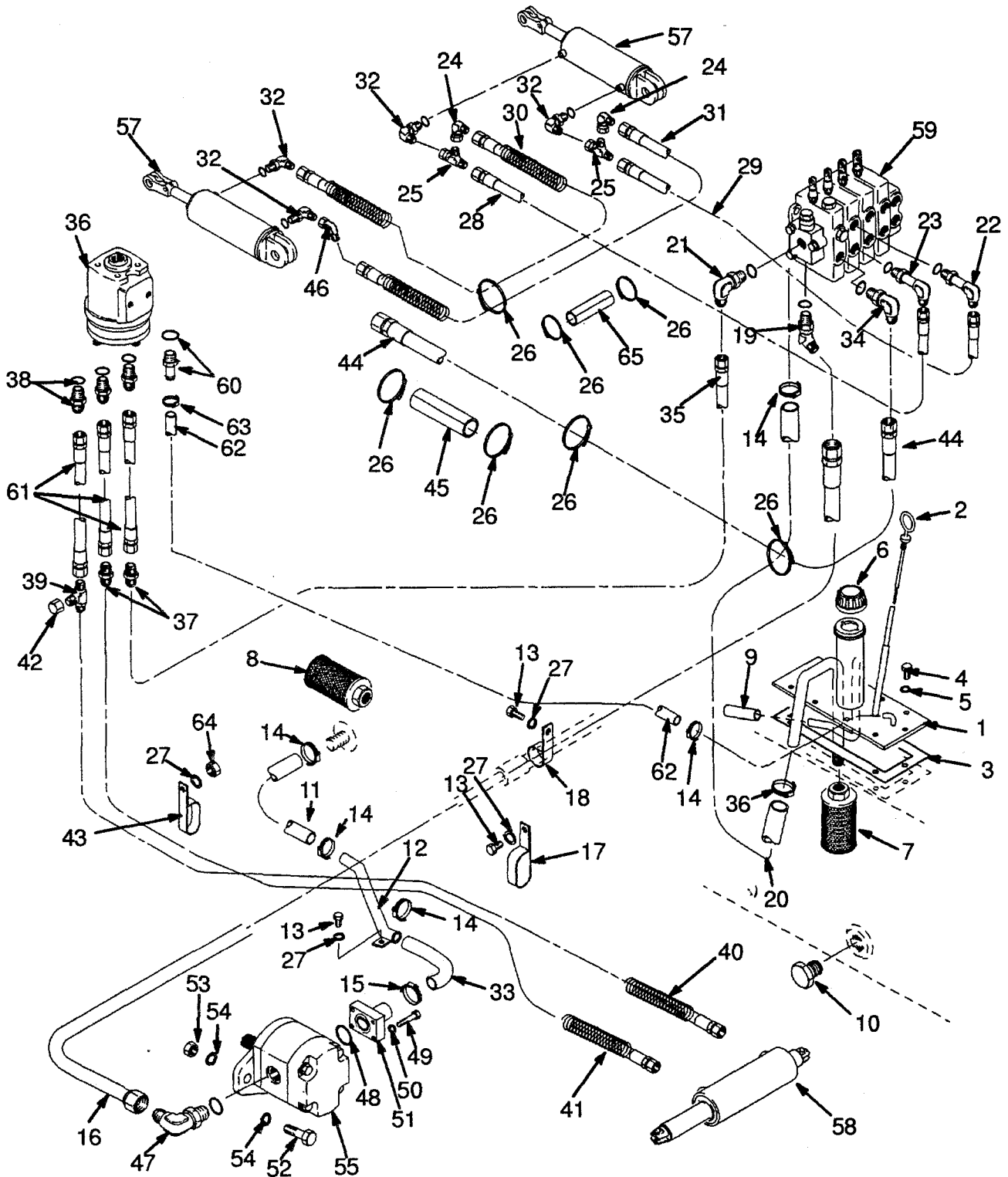
HYDRAULICS GROUP LAST USED ON S/N D001B-3022 (Figure 106)



HYDRAULICS GROUP
LAST USED ON S/N
D001B-3022

REF	PART NO.	NAME OF PART	QTY	REF	PART NO.	NAME OF PART	QTY
1	2021916	Tank Cover	1	39	176640	Hex Head Bolt	1
2	2021672	Joint	1	40	2021899	Hose	2
3	2021233	Hex Head Bolt	6	41	2021901	Hose	1
4	2021673	Washer	6	42	2021903	Hose	1
5	2021908	Cap	1	43	16556	Fitting	3
6	2021933	Filter	1	43	16481	O-Ring	1
7	2021935	Filter	1	44	16565	Fitting	1
8	2021939	Hose	1	44	16481	O-Ring	1
9	17636	Fitting	1	45	16560	Fitting	1
10	2021936	Dipstick	1	45	16485	O-Ring	1
11	2021271	Fitting	1	46	2021906	Hose	1
12	2021909	O-Ring	1	47	166857	Clamp	2
13	296010	Hex Head Bolt	4	48	14691	Fitting	2
14	2021272	Lockwasher	4	49	1347212	Fitting	1
15	2021273	Connector	1	50	240565	Hose	1
16	287860	Hex Head Bolt	2	51	320717	Hose	1
17	136692	Nut	2	52	16923	Fitting	1
18	296420	Washer	4	53	129684	Clamp	2
19	Hydraulic Pump	1	54	176454	Clamp	1
		☞ Figure 108, Figure 109		55	137852	Strap Clamp	10
20	2021880	Hose	1	56	2006579	Hose	1
20 ^a	2022549	Hose	1	57	2021886	Hose	1
21	2021880	Hose	1	58	137852	Strap Clamp	2
22	2021881	Tube	1	59	292681	Washer	7
23	287851	Hex Head Bolt	3	60	55488	Hose (1930 mm)	1
24	127045	Clamp	3	61	Steering Control Valve	1
25	119236	Clamp	1			☞ Figure 98	
26	2021884	Hose	1	62	Tilt Cylinder	2
27	2021886	Hose	2			☞ Figure 118	
28	166112	Clamp	2	63	Steering Cylinder	1
29	2021887	Fitting	1			☞ Figure 99	
29	16485	O-Ring	1	64	Control Valve	1
30	2021888	Hose	1			☞ Figure 113, Figure 114, Figure 116, Figure 117	
31	127045	Clamp	2	65	239503	Nut	3
32	16558	Fitting	2	66	16540	Fitting	3
32	16483	O-Ring	1	66	16483	O-Ring	1
33	2021890	Tube	1	67	222492	Nipple	1
34	2021893	Fitting	1	67	16483	O-Ring	1
34	16483	O-Ring	1	68	278510	Hose	3
35	2022474	Tube	1	69	909190	Hydraulic Oil (5L)	AR
36	17627	Fitting	2	69	823301	Hydraulic Oil (20L)	AR
37	17059	Fitting	2				
38	2021896	Clamp	1	^a	Diesel (Low Noise)		

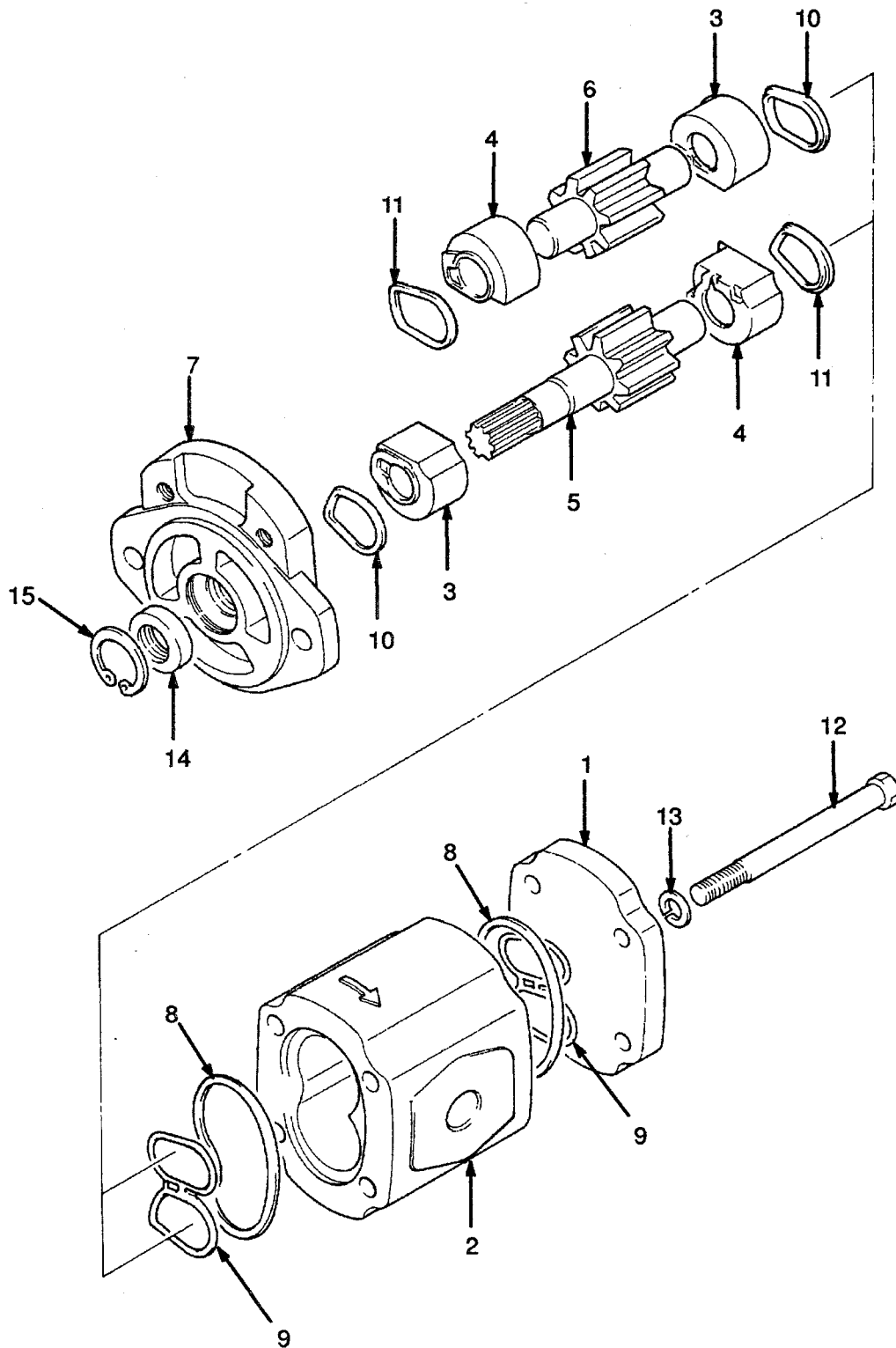
HYDRAULICS GROUP FIRST USED ON S/N D001B-3023 (Figure 107)



**HYDRAULICS GROUP
FIRST USED ON S/N
D001B-3023**

REF	PART NO.	NAME OF PART	QTY	REF	PART NO.	NAME OF PART	QTY
1	^a 2021916	Tank Cover	1	36	166857	Clamp	1
1	^b 2023459	Tank Cover	1	37	14691	Fitting	1
2	^a 2021936	Dipstick	1	38	16540	Fitting	1
2	^b 2023462	Dipstick	1	38	16483	O-Ring	1
3	2021672	Joint	1	39	1347212	Fitting	1
4	316678	Hex Head Bolt	6	40	895900	Hose	1
5	2021673	Washer	6	41	895899	Hose	1
6	2021908	Cap	1	42	16923	Fitting	1
7	2021933	Filter	1	43	129684	Clamp	2
8	2021935	Filter	1	44	2006579	Hose	1
9	2021939	Hose	1	45	2021886	Hose	3
10	17636	Fitting	1	46	16997	Fitting	1
11	2021880	Hose	1	47	2021271	Fitting	1
12	2021881	Tube	1	48	2021909	O-Ring	1
13	287851	Hex Head Bolt	3	49	296010	Hex Head Bolt	4
14	127045	Clamp	5	50	2021272	Lockwasher	4
15	119236	Clamp	1	51	2021273	Connector	1
16	2021884	Hose	1	52	287860	Hex Head Bolt	2
17	176454	Clamp	1	53	136692	Nut	3
18	166112	Clamp	2	54	296420	Washer	4
19	2021887	Fitting	1	55		Pump	1
20	2022890	Hose	1			☞ Figure 108, Figure 109	
21	16558	Fitting	1	56		Steering Control Valve	1
21	16483	O-Ring	1			☞ Figure 98	
22	2023534	Fitting	1	57		Tilt Cylinder	2
23	201766	Fitting	1			☞ Figure 118	
23	16483	O-Ring	1	58		Steering Cylinder	1
24	16987	Fitting	2			☞ Figure 99	
25	17059	Fitting	4	59		Control Valve	1
26	137852	Strap Clamp	14			☞ Figure 113, Figure 114, Figure 116, Figure 117	
27	292681	Washer	6	60	222492	Fitting	1
28	2023537	Hose	1	60	16483	O-Ring	1
29	2023535	Hose	1	61	278510	Hose	3
30	2023538	Hose	1	62	340609	Hose	1
31	2023536	Hose	1	63	166857	Clamp	1
32	16556	Fitting	4	64	239503	Nut	3
32	16481	O-Ring	1	65	1379457	Hose	1
33	2021879	Hose (Suction)	1				
33	^c 2022549	Hose (Suction Low Noise)	..				
34	165560	Fitting	1	^a	Last Used on S/N Pending per ECN 81003-79		
34	16485	O-Ring	1	^b	First Used on S/N Pending per ECN 81003-79		
35	2021906	Hose	1	^c	Diesel		

HYDRAULIC PUMP PETROL AND LPG (Figure 108)



**HYDRAULIC PUMP
PETROL AND LPG**

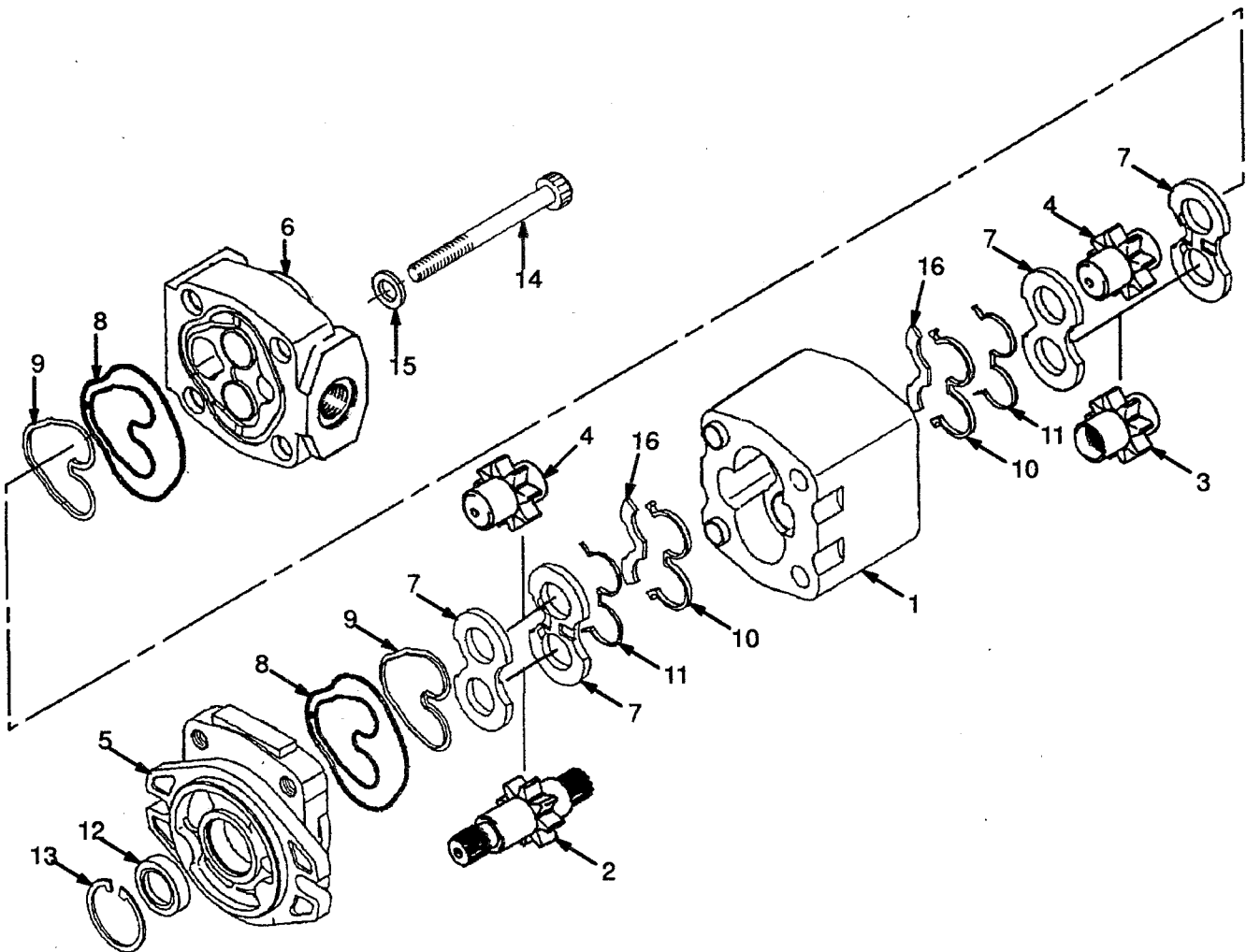
KEY

A: Pump 2021265

B: Pump 2021266 First Used On S/N D001B-3932

REF	PART NO.	NAME OF PART	QTY		REF	PART NO.	NAME OF PART	QTY	
			A	B				A	B
	2021265	Hydraulic Pump	1	..	10	^c	Back-Up Ring (RH)	2	2
	2021266	Hydraulic Pump	1	11	^c	Back-Up Ring (LH)	2	2
1	355850	Cover	1	1	12	1366638	Bolt	4	..
2	Body	1	1	12	1382665	Bolt	4
3	^{ab} 1366643	Bearing	2	2	13	292682	Lockwasher	4	4
4	^{ab} 1366634	Bearing	2	2	14	^c	Oil Seal	1	1
5	^{ab}	Gear	1	1	15	^c	Circlip	1	1
6	^{ab}	Gear	1	1					
7	1366637	Flange	1	1			^a Included In Repair Kit 1366642		
8	^c	Oil Seal	2	2			^b Included In Repair Kit 1382666 (Pump 2021266)		
9	^c	Oil Seal	2	2			^c Included In Seal Kit 1366641		

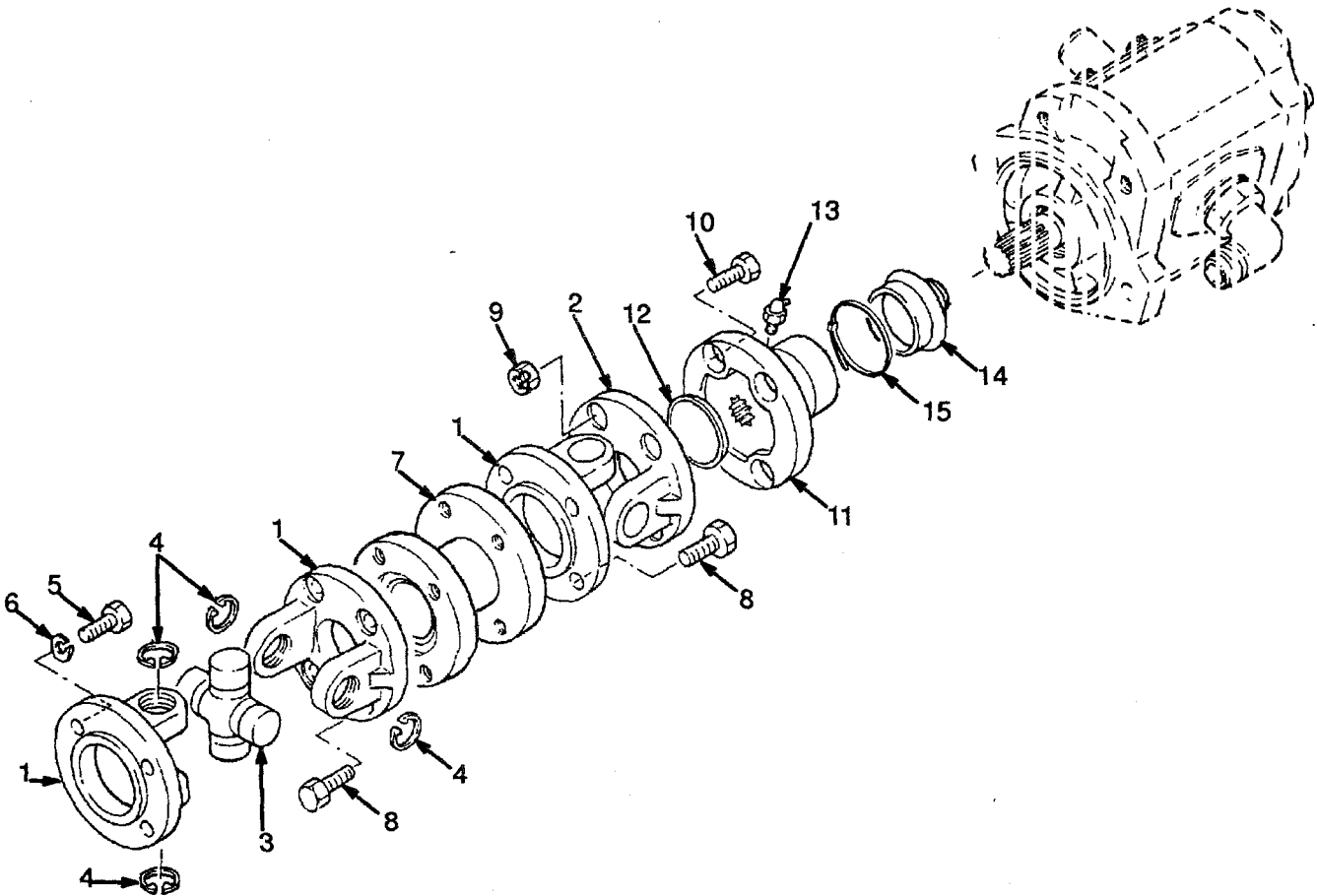
DOUBLE GEAR PUMP DIESEL 2,5L ENGINE (Figure 109)



**DOUBLE GEAR PUMP
DIESEL
2,5L ENGINE**

REF	PART NO.	NAME OF PART	QTY	REF	PART NO.	NAME OF PART	QTY
	2022017	Hydraulic Pump	1	10	b	Bush Seal	2
1		Body	1	11	b	Back-Up Seal	2
2	a	Drive Gear (Front)	1	12	b	Seal	1
3	a	Drive Gear (Rear)	1	13	b	Circlip	1
4	a	Driven Gear	2	14	1371647	Hex Head Bolt	4
5	1354746	Flange	1	15	2021834	Washer	4
6	1371646	End Cover	1	16	1352470	Isolation Plate	2
7	1354748	Pressure Plate	4				
8	b	Seal	2	a	Included In Repair Kit 2022577		
9	b	Back-Up Ring	2	b	Included In Seal Kit 2022576		

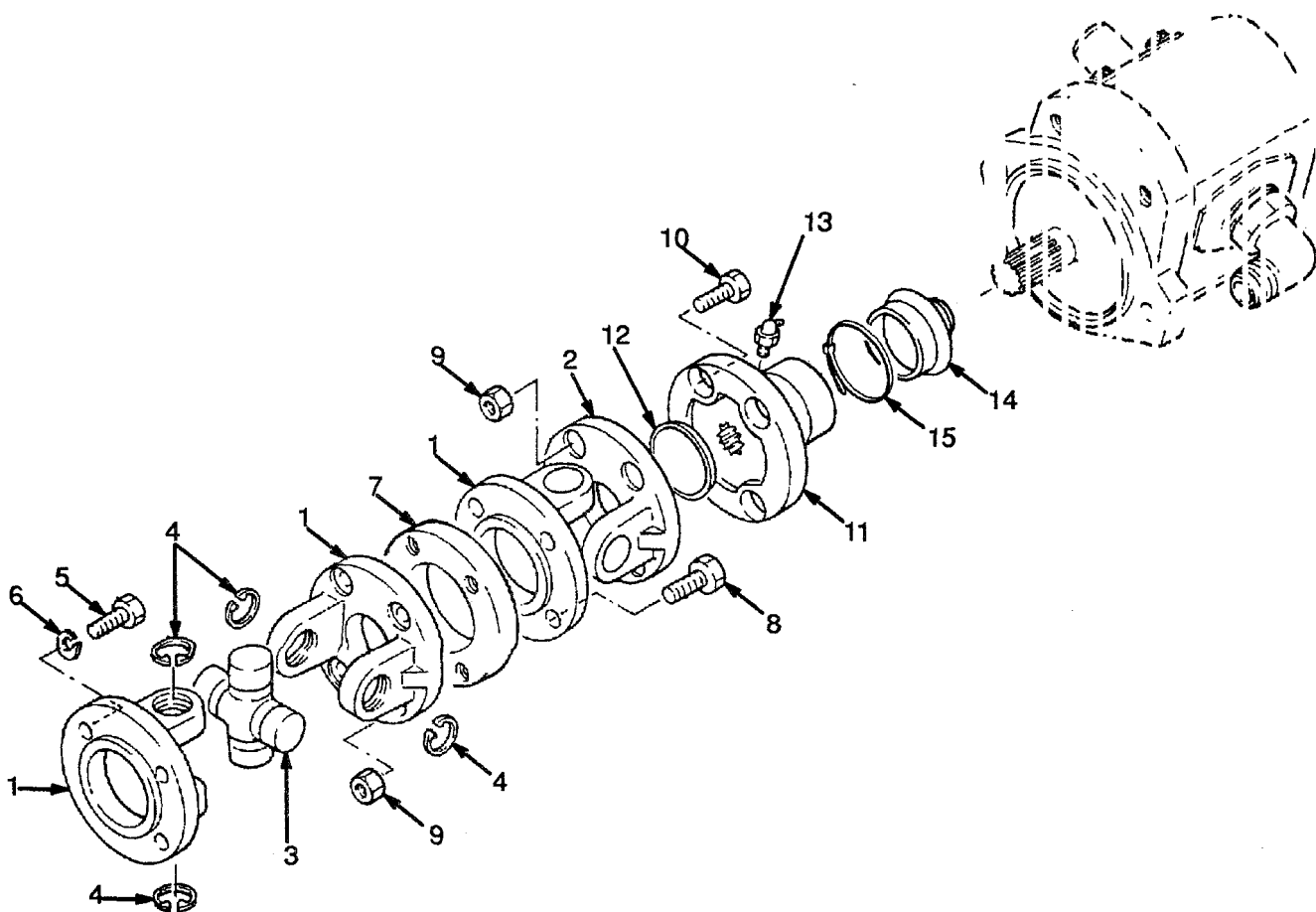
PUMP DRIVE PETROL AND LPG 2,0L (Figure 110)



**PUMP DRIVE
PETROL AND LPG 2,0L**

<u>REF</u>	<u>PART NO.</u>	<u>NAME OF PART</u>	<u>QTY</u>	<u>REF</u>	<u>PART NO.</u>	<u>NAME OF PART</u>	<u>QTY</u>
1	2021239	Yoke	3	8	136681	Hex Head Bolt	8
2	2021240	Yoke	1	9	239503	Nut	4
3	1379468	Universal Joint	1	10	136749	Hex Head Bolt	4
4	2021243	Cirdip (0,95 mm)	AR	11	2021252	Coupling	1
4	2021244	Cirdip (1,00 mm)	AR	12	2022555	Plug	1
5	2022550	Bolt	4	13	2022554	Grease Fitting	1
6	2021245	Lockwasher	4	14	2021254	Boot	1
7	2021250	Coupling	1	15	2022545	Strap Clamp	1

PUMP DRIVE DIESEL 2,5L (Figure 111)

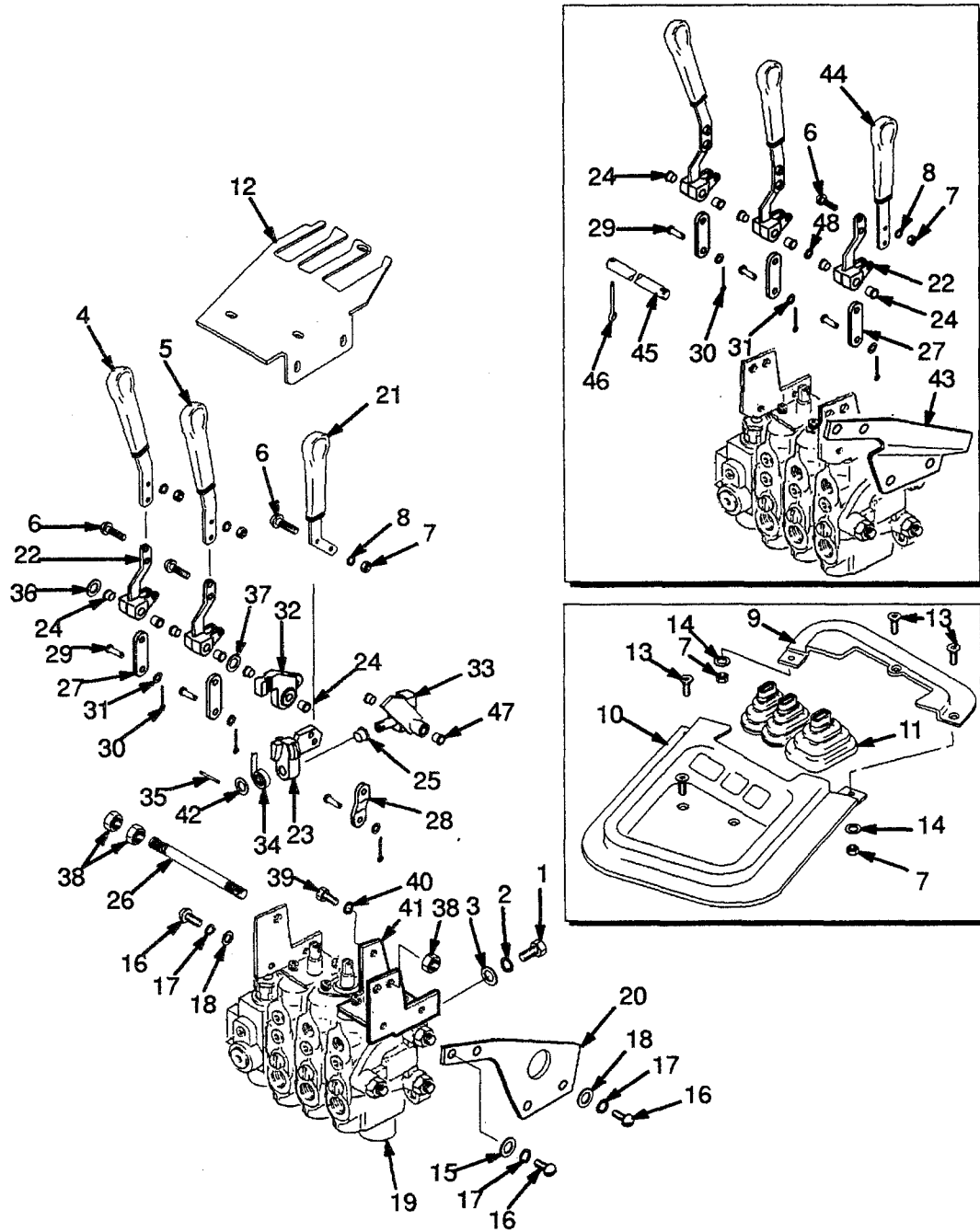


**PUMP DRIVE
DIESEL 2,5L**

REF	PART NO.	NAME OF PART	QTY	REF	PART NO.	NAME OF PART	QTY
1	2021239	Yoke	3	8	2022717	Bolt	4
2	2021240	Yoke	1	9	239503	Nut	8
3	1379468	Universal Joint	1	10	136749	Hex Head Bolt	4
4	2021243	Circlip (0,95 mm)	AR	11	2021252	Coupling	1
4	2021244	Circlip (1,00 mm)	AR	12	2022555	Plug	1
5	2022550	Bolt	4	13	2022554	Grease Fitting	1
6	2021245	Lockwasher	4	14	2021254	Boot	1
7	2021251	Coupling	1	15	2022545	Strap Clamp	1

VALVE ATTACHING PARTS THREE FUNCTION

(Figure 112)



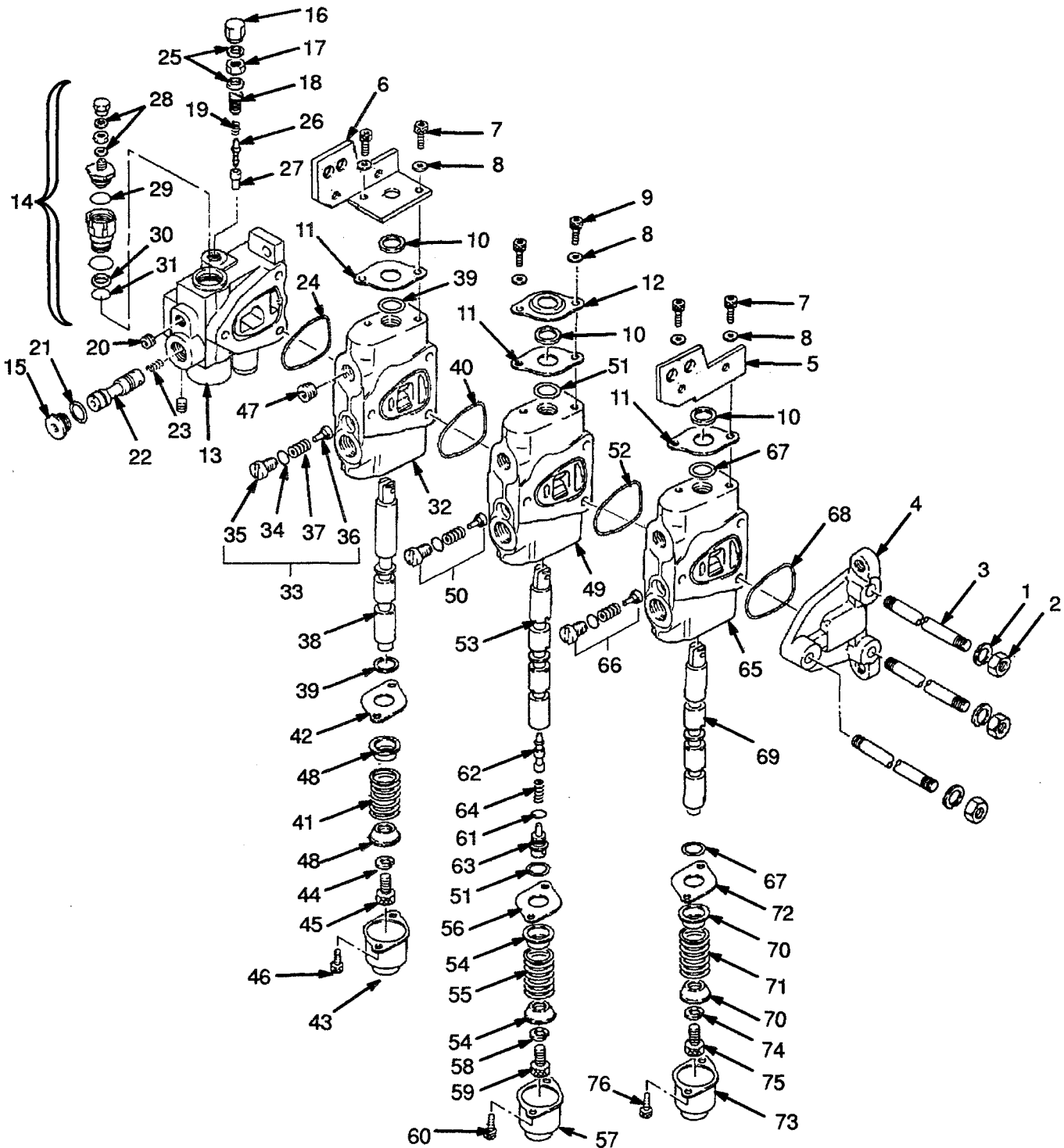
**VALVE ATTACHING PARTS
THREE FUNCTION**

KEY

A: with Detented Levers
B: without Detented Levers

REF	PART NO.	NAME OF PART	QTY		REF	PART NO.	NAME OF PART	QTY	
			A	B				A	B
1	287503	Hex Head Bolt	3	3	25	2021810	Bush	1	..
2	292682	Lockwasher	3	3	26	2021813	Pin	1	..
3	15177	Washer	3	3	27	2021815	Link	2	3
4	2020500	Lever	1	1	28	2021816	Link	1	..
5	2020501	Lever	1	1	29	2021817	Pin	6	6
6	296160	Hex Head Bolt	6	6	30	2021818	Split Pin	6	6
7	313805	Nut	11	11	31	320155	Washer	6	6
8	292680	Washer	6	6	32	2022911	Yoke	1	..
9	2021862	Front Cover	1	1	33	2021852	Pivot Pin	1	..
10	2021863	Rear Cover	1	1	34	175861	Spring	1	..
11	2021864	Boot	1	1	35	302427	Pin	1	..
12	2021865	Plate	1	1	36	2021860	Shim	AR	..
13	2022702	Screw	5	5	37	296417	Washer	1	..
14	320156	Washer	5	5	38	296128	Nut	3	..
15	320157	Washer	2	2	39	287817	Hex Head Bolt	1	..
16	296165	Hex Head Bolt	5	5	40	296417	Washer	1	..
17	292681	Lockwasher	5	5	41	2021856	Bracket	1	..
18	15175	Washer	3	3	42	2311502	Shim (0,4 mm)	AR	..
19	Control Valve	1	1	43	2021866	Bracket	1	..
		☞ Figure 113, Figure 114			44	2020502	Lever	1	..
20	2021867	Bracket	1	..	45	1345348	Pin	1	..
21	2020503	Lever	1	..	46	136704	Split Pin	2	..
22	2021823	Yoke	2	3	47	2021809	Bush	2	..
23	2022912	Pivot	1	..	48	320159	Washer (Optional)	1	..
24	2022796	Bush	AR	AR					

THREE FUNCTION CONTROL VALVE SINGLE RELIEF (Figure 113)



**THREE FUNCTION CONTROL VALVE
SINGLE RELIEF**

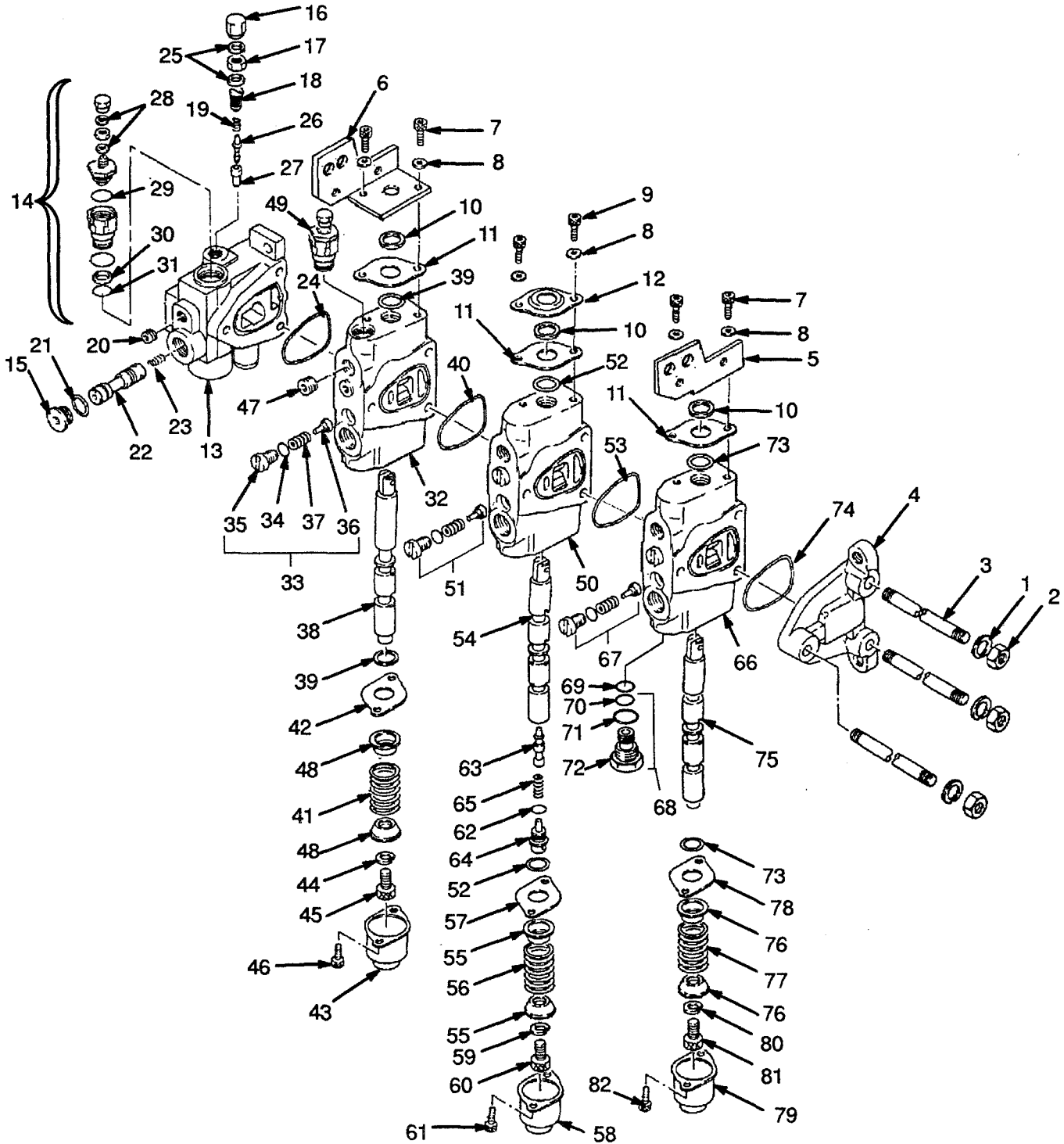
REF	PART NO.	NAME OF PART	QTY	REF	PART NO.	NAME OF PART	QTY
	2023309	Control Valve	1	40 ^a	2022191	O-Ring	1
1	292682	Lockwasher	3	41	1368023	Spring	1
2	1368046	Nut	3	42	1368007	Retainer	1
3	1368126	Tie Rod	3	43	1368024	Cap	1
4	1368049	End Cover	1	44	1368025	Washer	1
5	1368005	Bracket	1	45	296009	Screw	1
6	1368008	Bracket	1	46	1368026	Screw	2
7	2022208	Screw	4	47	1368027	Plug	1
8	292680	Washer	6	48	1368022	Collar	2
9	1368026	Screw	2	49	2023311	Spool Section (Tilt)	1
10	1368006	Wiper	3	50 ^b	1368028	Plug Assy	1
11	1368007	Retainer	3	51 ^a	1368018	O-Ring	2
12	1368036	Plate	1	52 ^a	2022191	O-Ring	1
13	1368041	Inlet Section	1	53	Spool	1
14	2022205	Relief Valve	1	54	1368022	Collar	2
15	1368011	Plug	1	55	1368023	Spring	1
16	1368012	Nut	1	56	1368007	Retainer	1
17	1368014	Locknut	1	57	1368024	Cap	1
18	1368015	Adjusting Screw	1	58	1368029	Washer	1
19	1368016	Spring	1	59	2022208	Screw	1
20	1368017	Plug	1	60	1368026	Screw	2
21 ^a	1368037	O-Ring	1	61 ^a	2022210	O-Ring	1
22	Piston	1	62	Spool	1
23	Spring	1	63	1368030	Plug	1
24 ^a	2022191	O-Ring	1	64	1368031	Spring	1
25 ^a	1368013	Joint	2	65	1368043	Spool Section (Auxiliary)	1
26	Poppet	1	66 ^b	1368028	Plug Assy	1
27	Seat	1	67 ^a	1368018	O-Ring	2
28 ^a	1368047	Joint	2	68 ^a	2022191	O-Ring	1
29 ^a	2022217	O-Ring	1	69	Spool	1
30 ^a	1368033	Back-Up Ring	1	70	1368022	Collar	2
31 ^a	1368032	O-Ring	1	71	1368023	Spring	1
32	1368042	Spool Section (Lift)	1	72	1368007	Retainer	1
33	1368028	Plug Assy	1	73	1368024	Cap	1
34 ^a	2022192	O-Ring	1	74	1368025	Washer	1
35	Plug	1	75	296009	Screw	1
36	Check Valve	1	76	1368026	Screw	2
37	Spring	1				
38	Spool	1				
39 ^a	1368018	O-Ring	2				

^a Included In Seal Kit 1368127

^b Includes 34-37

THREE FUNCTION CONTROL VALVE DUAL RELIEF VALVE

(Figure 114)

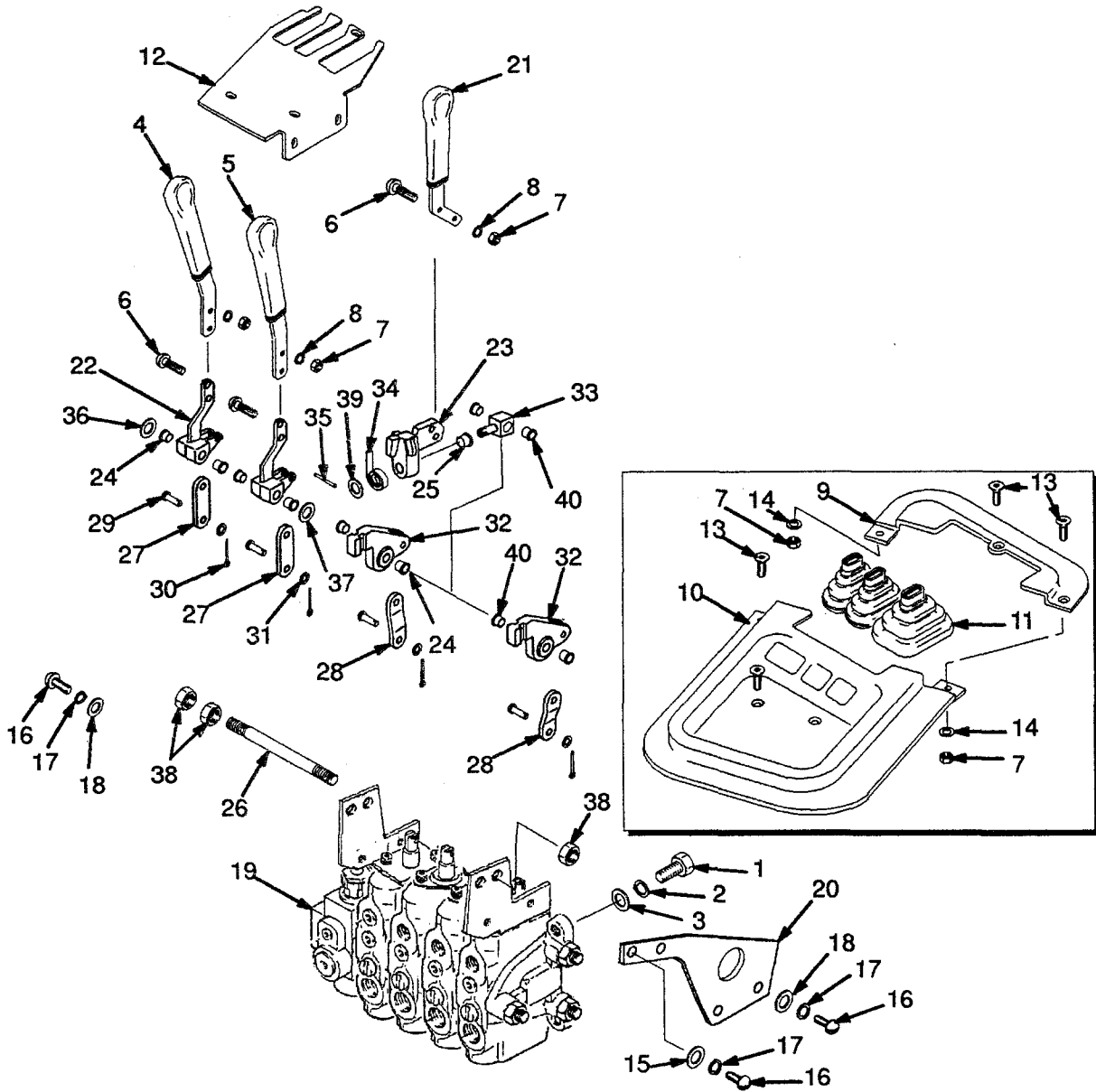


**THREE FUNCTION CONTROL VALVE
DUAL RELIEF VALVE**

REF	PART NO.	NAME OF PART	QTY	REF	PART NO.	NAME OF PART	QTY
	2023354	Control Valve	1	43	1368024	Cap	1
1	292682	Lockwasher	3	44	1368025	Washer	1
2	1368046	Nut	3	45	296009	Screw	1
3	1368126	Tie Rod	3	46	1368026	Screw	2
4	1368049	End Cover	1	47	1368027	Plug	2
5	1368005	Bracket	1	48	1368022	Collar	2
6	1368008	Bracket	1	49	2022205	Relief Valve	1
7	2022208	Screw	4	50	2023312	Spool Section (Tilt)	1
8	292680	Washer	6	51 ^c	1368028	Plug Assy	2
9	1368026	Screw	2	52 ^a	1368018	O-Ring	2
10	1368006	Wiper	3	53 ^a	2022191	O-Ring	1
11	1368007	Retainer	3	54	Spool	1
12	1368036	Plate	1	55	1368022	Collar	2
13	1368041	Inlet Section	1	56	1368023	Spring	1
14	2022205	Relief Valve	1	57	1368007	Retainer	1
15	1368011	Plug	1	58	1368024	Cap	1
16	1368012	Nut	1	59	1368029	Washer	1
17	1368014	Locknut	1	60	2022208	Screw	1
18	1368015	Adjusting Screw	1	61	1368026	Screw	2
19	1368016	Spring	1	62 ^a	2022210	O-Ring	1
20	1368017	Plug	1	63	Spool	1
21 ^a	1368037	O-Ring	1	64	1368030	Plug	1
22	Piston	1	65	1368031	Spring	1
23	Spring	1	66	2022441	Spool Section (Auxiliary)	1
24 ^a	2022191	O-Ring	1	67 ^c	1368028	Plug Assy	2
25 ^a	1368013	Joint	2	68	1368035	Plug Assy	1
26	Poppet	1	69 ^a	1368032	O-Ring	1
27	Seat	1	70 ^a	1368033	Back-Up Ring	1
28 ^{ab}	1368047	Joint	2	71 ^a	2022217	O-Ring	1
29 ^{ab}	2022217	O-Ring	1	72	1368034	Plug	1
30 ^{ab}	1368033	Back-Up Ring	1	73 ^a	1368018	O-Ring	2
31 ^{ab}	1368032	O-Ring	1	74 ^a	2022191	O-Ring	1
32	1369070	Spool Section (Lift)	1	75	Spool	1
33	1368028	Plug Assy	1	76	1368022	Collar	2
34 ^a	2022192	O-Ring	1	77	1368023	Spring	1
35	Plug	1	78	1368007	Retainer	1
36	Check Valve	1	79	1368024	Cap	1
37	Spring	1	80	1368025	Washer	1
38	Spool	1	81	296009	Screw	1
39 ^a	1368018	O-Ring	2	82	1368026	Screw	2
40 ^a	2022191	O-Ring	1				
41	1368023	Spring	1				
42	1368007	Retainer	1				

^a Included In Seal Kit 1368127
^b Included In Seal Kit 2022569
^c Includes 34-37

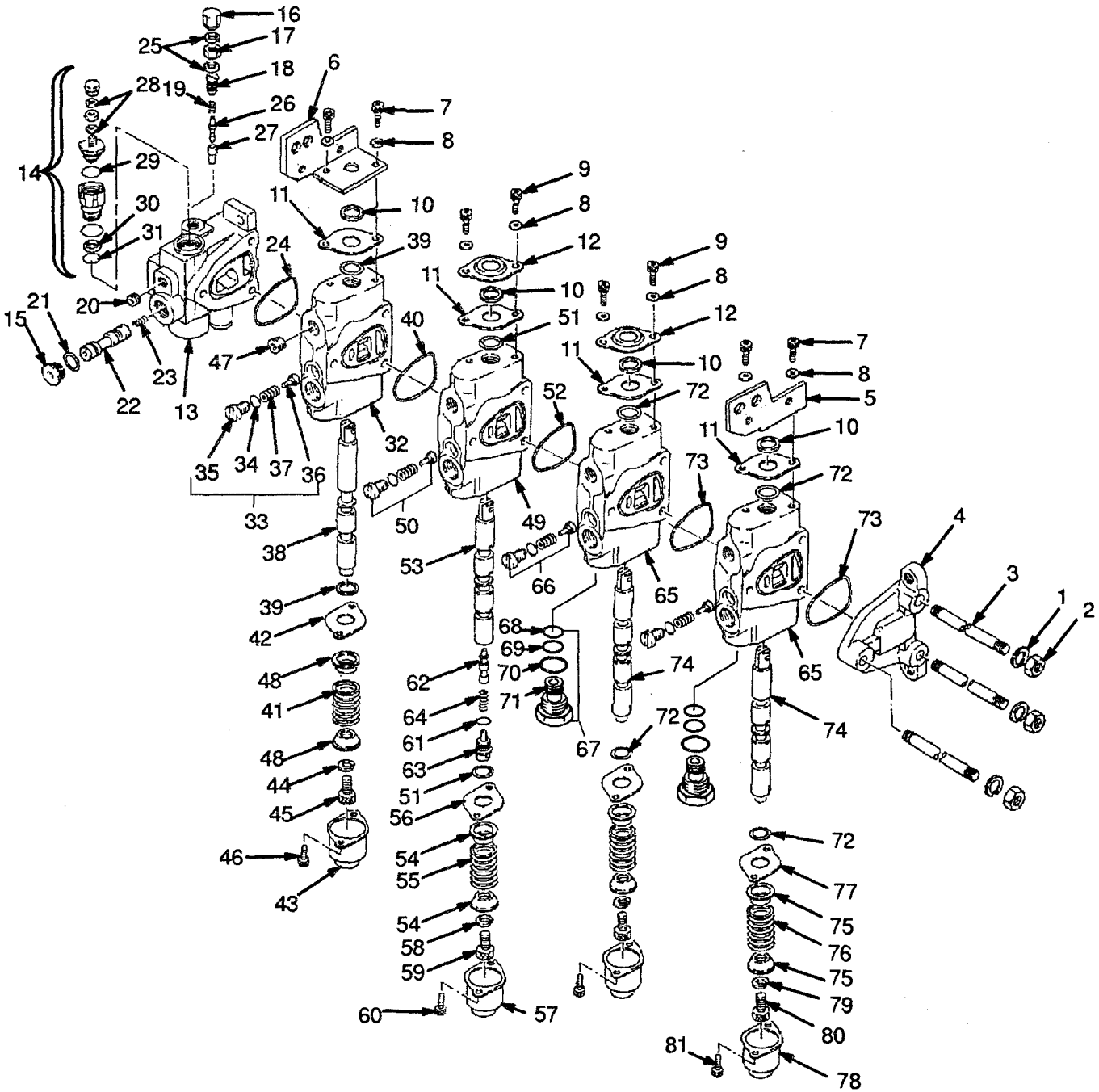
VALVE ATTACHING PARTS FOUR FUNCTION (Figure 115)



**VALVE ATTACHING PARTS
FOUR FUNCTION**

REF	PART NO.	NAME OF PART	QTY	REF	PART NO.	NAME OF PART	QTY
1	287503	Hex Head Bolt	3	21	2020503	Lever	1
2	292682	Lockwasher	3	22	2021823	Yoke	2
3	15177	Washer	3	23	2022912	Pivot	1
4	2020500	Lever	1	24	2022796	Bush	6
5	2020501	Lever	1	25	2021810	Bush	1
6	296160	Hex Head Bolt	6	26	2021813	Pin	1
7	313805	Nut	11	27	2021815	Link	2
8	292680	Washer	6	28	2021816	Link	2
9	2021862	Front Cover	1	29	2021817	Pin	8
10	2021863	Rear Cover	1	30	2021818	Split Pin	8
11	2021864	Boot	1	31	320155	Washer	8
12	2021865	Plate	1	32	2022910	Yoke	1
13	2022702	Screw	5	33	2021851	Pivot Pin	1
14	320156	Washer	5	34	175861	Spring	1
15	320157	Washer	2	35	302427	Pin	1
16	296165	Hex Head Bolt	5	36	2021860	Shim	AF
17	292681	Lockwasher	5	37	320159	Washer	1
18	15175	Washer	3	38	296128	Nut	3
19	Control Valve	1	39	2311502	Shim	AF
		☞ Figure 116, Figure 117		40	2021809	Bush	4
20	2021867	Bracket	1				

FOUR FUNCTION CONTROL VALVE SINGLE RELIEF (Figure 116)



FOUR FUNCTION CONTROL VALVE SINGLE RELIEF

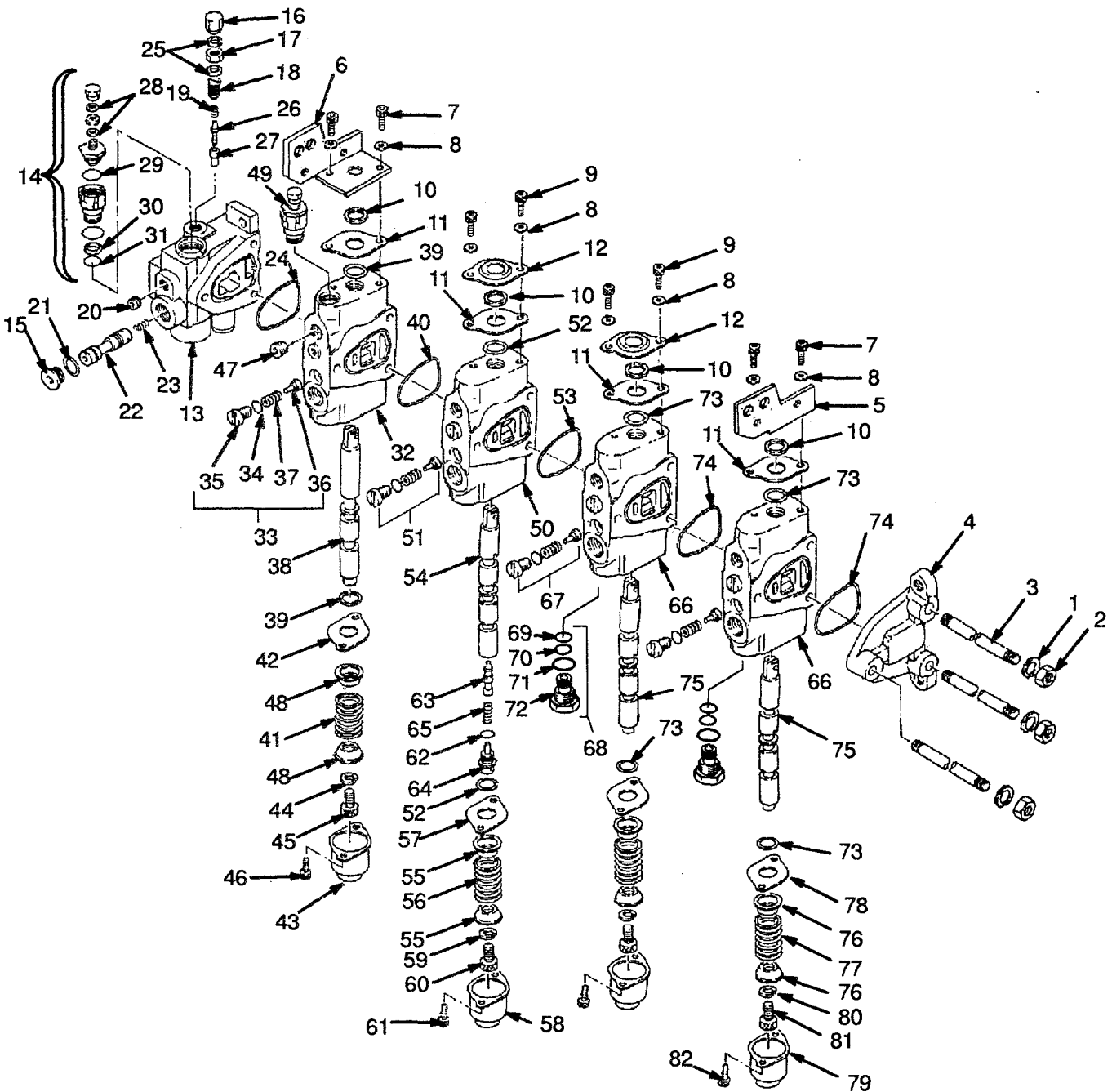
REF	PART NO.	NAME OF PART	QTY	REF	PART NO.	NAME OF PART	QTY
	2023310	Control Valve	1	42	1368007	Retainer	1
1	292682	Lockwasher	3	43	1368024	Cap	1
2	1368046	Nut	3	44	1368025	Washer	1
3	1368048	Tie Rod	3	45	296009	Screw	1
4	1368049	End Cover	1	46	1368026	Screw	2
5	1368005	Bracket	1	47	1368027	Plug	1
6	1368008	Bracket	1	48	1368022	Collar	2
7	2022208	Screw	4	49	2023311	Spool Section (Tilt)	1
8	292680	Washer	8	50 ^b	1368028	Plug Assy	1
9	1368026	Screw	4	51 ^a	1368018	O-Ring	2
10	1368006	Wiper	4	52 ^a	2022191	O-Ring	1
11	1368007	Retainer	4	53	Spool	1
12	1368036	Plate	2	54	1368022	Collar	2
13	1368041	Inlet Section	1	55	1368023	Spring	1
14	2022205	Relief Valve	1	56	1368007	Retainer	1
15	1368011	Plug	1	57	1368024	Cap	1
16	1368012	Nut	1	58	1368029	Washer	1
17	1368014	Locknut	1	59	2022208	Screw	1
18	1368015	Adjusting Screw	1	60	1368026	Screw	2
19	1368016	Spring	1	61 ^a	2022210	O-Ring	1
20	1368017	Plug	1	62	Spool	1
21 ^a	O-Ring	1	63	1368030	Plug	1
22	Piston	1	64	1368031	Spring	1
23	Spring	1	65	1368045	Spool Section (Auxiliary)	2
24 ^a	2022191	O-Ring	1	66 ^b	1368028	Plug Assy	1
25 ^a	1368013	Joint	2	67	1368035	Plug Assy	1
26	Poppet	1	68 ^a	1368032	O-Ring	1
27	Seat	1	69 ^a	1368033	Back-Up Ring	1
28 ^a	1368047	Joint	2	70 ^a	2022217	O-Ring	1
29 ^a	2022217	O-Ring	1	71	1368034	Plug	1
30 ^a	1368033	Back-Up Ring	1	72 ^a	1368018	O-Ring	2
31 ^a	1368032	O-Ring	1	73 ^a	2022191	O-Ring	1
32	1368042	Spool Section (Lift)	1	74	Spool	1
33	1368028	Plug Assy	1	75	1368022	Collar	2
34 ^a	2022192	O-Ring	1	76	1368023	Spring	1
35	Plug	1	77	1368007	Retainer	1
36	Check Valve	1	78	1368024	Cap	1
37	Spring	1	79	1368025	Washer	1
38	Spool	1	80	296009	Screw	1
39 ^a	1368018	O-Ring	2	81	1368026	Screw	2
40 ^a	2022191	O-Ring	1				
41	1368023	Spring	1				

^a Included In Seal Kit 1368128

^b Includes 34-37

FOUR FUNCTION CONTROL VALVE DUAL RELIEF VALVE

(Figure 117)

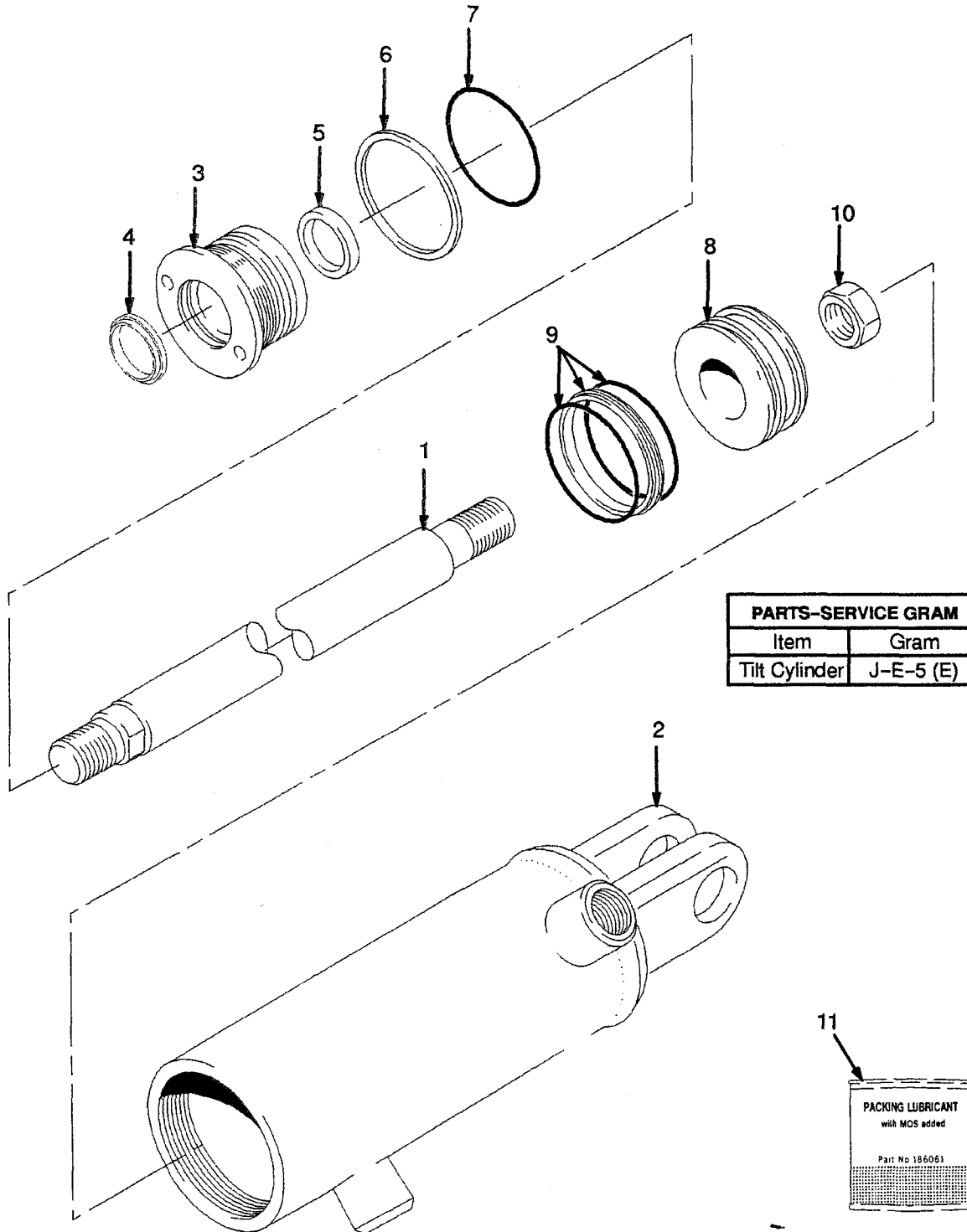


**FOUR FUNCTION CONTROL VALVE
DUAL RELIEF VALVE**

REF	PART NO.	NAME OF PART	QTY	REF	PART NO.	NAME OF PART	QTY
	2023355	Control Valve	1	43	1368024	Cap	1
1	292682	Lockwasher	3	44	1368025	Washer	1
2	1368046	Nut	3	45	296009	Screw	1
3	1368048	Tie Rod	3	46	1368026	Screw	2
4	1368049	End Cover	1	47	1368027	Plug	2
5	1368005	Bracket	1	48	1368022	Collar	2
6	1368008	Bracket	1	49	2022205	Relief Valve	1
7	2022208	Screw	4	50	2023312	Spool Section (Tilt)	1
8	292680	Washer	8	51 ^c	1368028	Plug Assy	2
9	1368026	Screw	4	52 ^a	1368018	O-Ring	2
10	1368006	Wiper	4	53 ^a	2022191	O-Ring	1
11	1368007	Retainer	4	54	Spool	1
12	1368036	Plate	2	55	1368022	Collar	2
13	1368041	Inlet Section	1	56	1368023	Spring	1
14	2022205	Relief Valve	1	57	1368007	Retainer	1
15	1368011	Plug	1	58	1368024	Cap	1
16	1368012	Nut	1	59	1368029	Washer	1
17	1368014	Locknut	1	60	2022208	Screw	1
18	1368015	Adjusting Screw	1	61	1368026	Screw	2
19	1368016	Spring	1	62 ^a	2022210	O-Ring	1
20	1368017	Plug	1	63	Spool	1
21 ^a	O-Ring	1	64	1368030	Plug	1
22	Piston	1	65	1368031	Spring	1
23	Spring	1	66	2022441	Spool Section (Auxiliary)	2
24 ^a	2022191	O-Ring	1	67 ^c	1368028	Plug Assy	2
25 ^a	1368013	Joint	2	68	1368035	Plug Assy	1
26	Poppet	1	69 ^a	1368032	O-Ring	1
27	Seat	1	70 ^a	1368033	Back-Up Ring	1
28 ^{ab}	1368047	Joint	2	71 ^a	2022217	O-Ring	1
29 ^{ab}	2022217	O-Ring	1	72	1368034	Plug	1
30 ^{ab}	1368033	Back-Up Ring	1	73 ^a	1368018	O-Ring	2
31 ^{ab}	1368032	O-Ring	1	74 ^a	2022191	O-Ring	1
32	1369070	Spool Section (Lift)	1	75	Spool	1
33	1368028	Plug Assy	1	76	1368022	Collar	2
34 ^a	2022192	O-Ring	1	77	1368023	Spring	1
35	Plug	1	78	1368007	Retainer	1
36	Check Valve	1	79	1368024	Cap	1
37	Spring	1	80	1368025	Washer	1
38	Spool	1	81	296009	Screw	1
39 ^a	1368018	O-Ring	2	82	1368026	Screw	2
40 ^a	2022191	O-Ring	1				
41	1368023	Spring	1				
42	1368007	Retainer	1				

^a Included In Seal Kit 1368128
^b Included In Seal Kit 2022569
^c Includes 34-37

TILT CYLINDER (Figure 118)



PARTS-SERVICE GRAM	
Item	Gram
Tilt Cylinder	J-E-5 (E)

TILT CYLINDER

REF	PART NO.	NAME OF PART	QTY	REF	PART NO.	NAME OF PART	QTY
a	8602102	Group No.	6	b	276627 Back-Up Ring	1
c	8602103	Group No.	7	b	57664 O-Ring	1
a	2310066	Tilt Cylinder	2	8		2304677 Piston	1
c	2309376	Tilt Cylinder	2	9	b	2306303 Piston Seal	1
1	a	2308689 Rod	1	10		2302899 Locknut	1
1	c	2308013 Rod	1	11		186061 Packing Lube	AR
2		1371668 Shell	1		a	6 Degree Forward Tilt/6 Degree Back Tilt	
3		2308169 Gland	1		b	Included In Seal Kit 2302714	
4	b	2311937 Wiper	1		c	6 Degree Forward Tilt/10 Degree Back Tilt	
5	b	2311816 Seal	1				