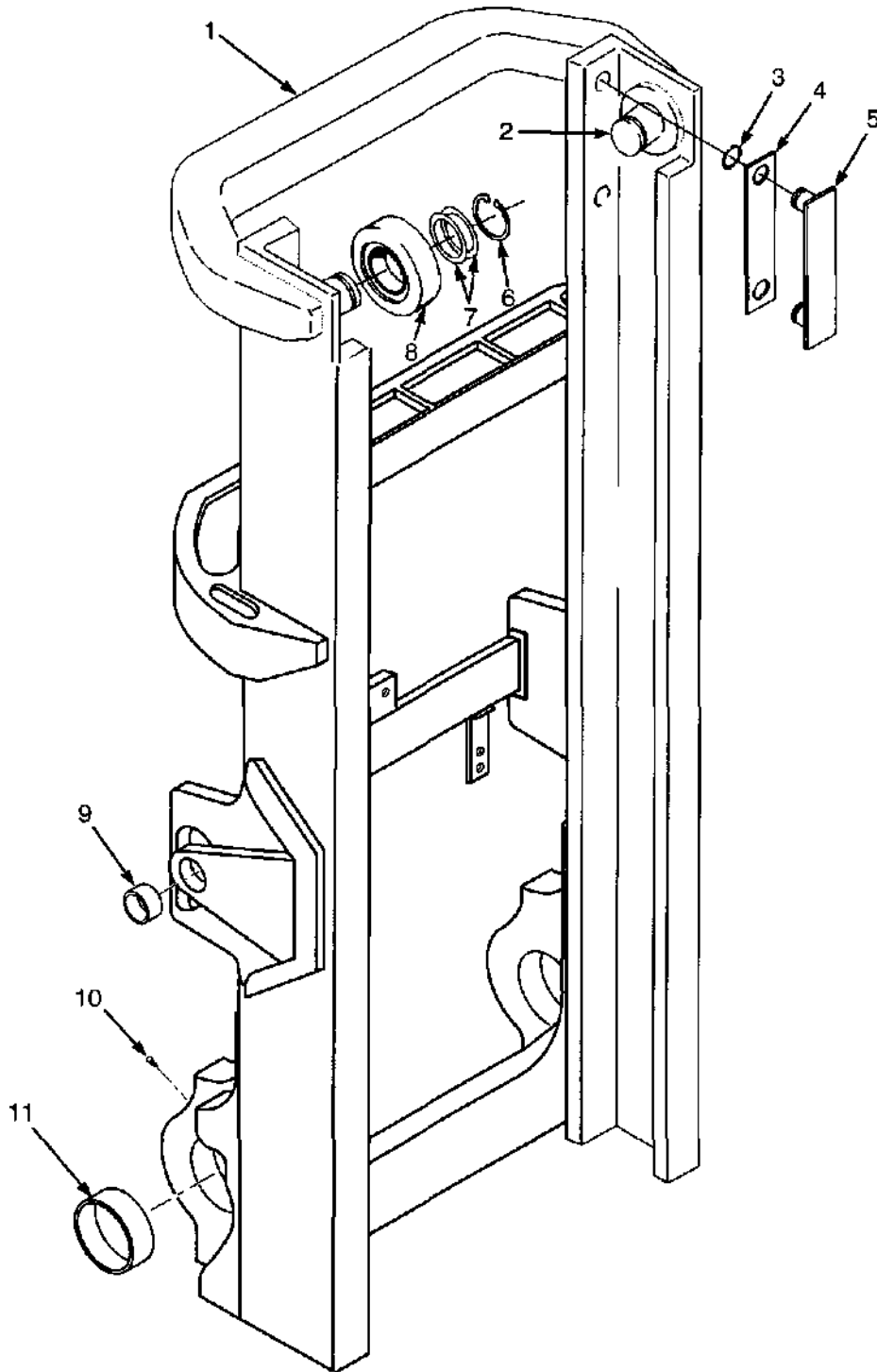


## OUTER MAST (Figure 11-1) TWO STAGE FULL FREE-LIFT



BP170184

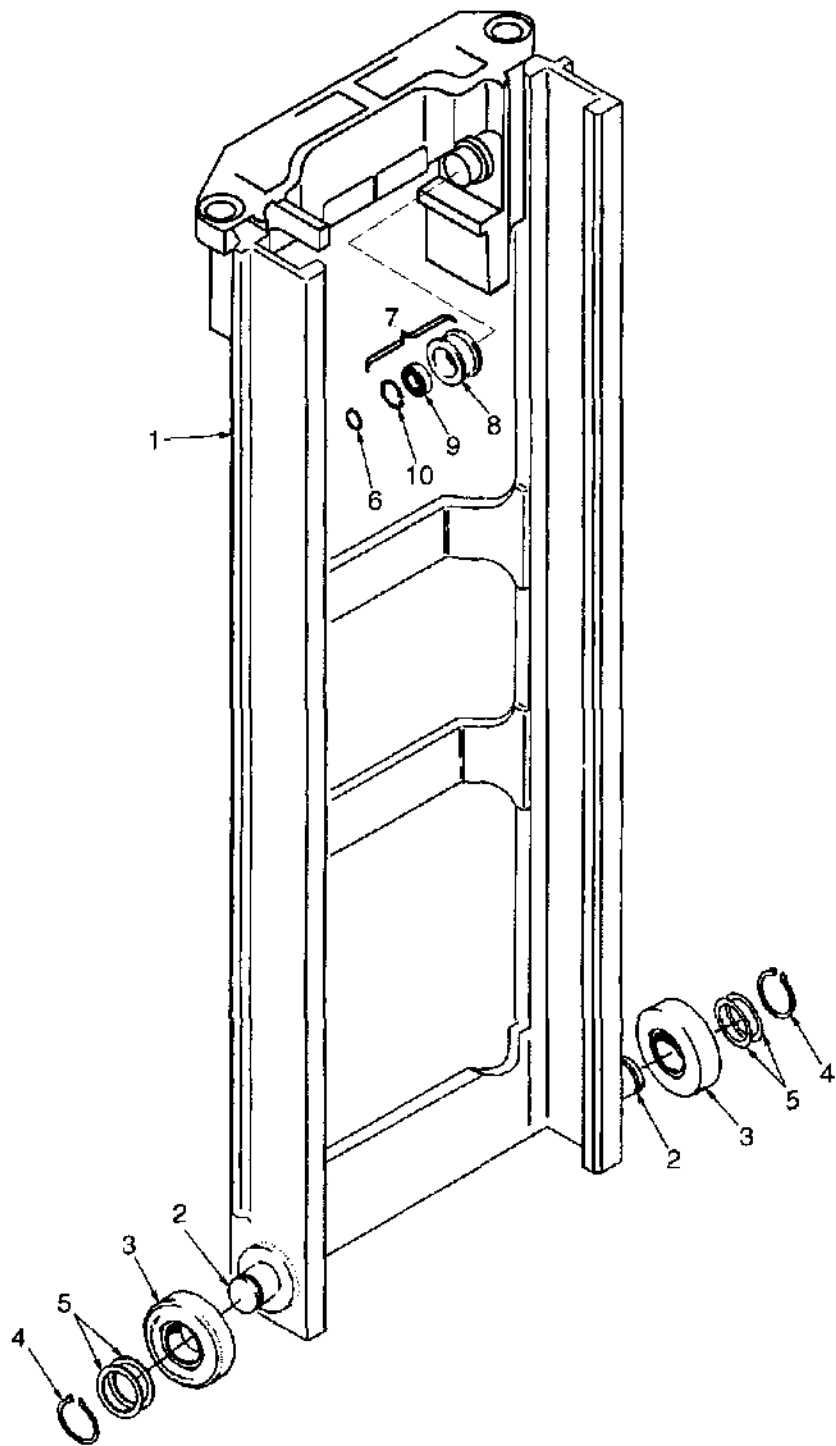
**OUTER MAST  
TWO STAGE FULL FREE-LIFT**

ITEM	PART NO.	DESCRIPTION	QTY
1	a 1531667	Outer Mast (B559-3178).....	1
2	1345216	Stubshaft.....	2
3	104506	O-Ring.....	4
4	131716	Shim (0,508 mm).....	4
5	215212	Bearing Strip.....	2
6	58901	Snap Ring.....	2
7	129387	Shim (0,508 mm).....	AR
8	1333399	Load Roller.....	2
9	1348185	Bushing.....	2
10	16001	Lube Fitting.....	2
11	1536287	Bushing (Mast Mounting).....	2

**FOOTNOTES:**

a Refer to Table

## INNER MAST (Figure 11-2) TWO STAGE FULL FREE-LIFT



BP170156

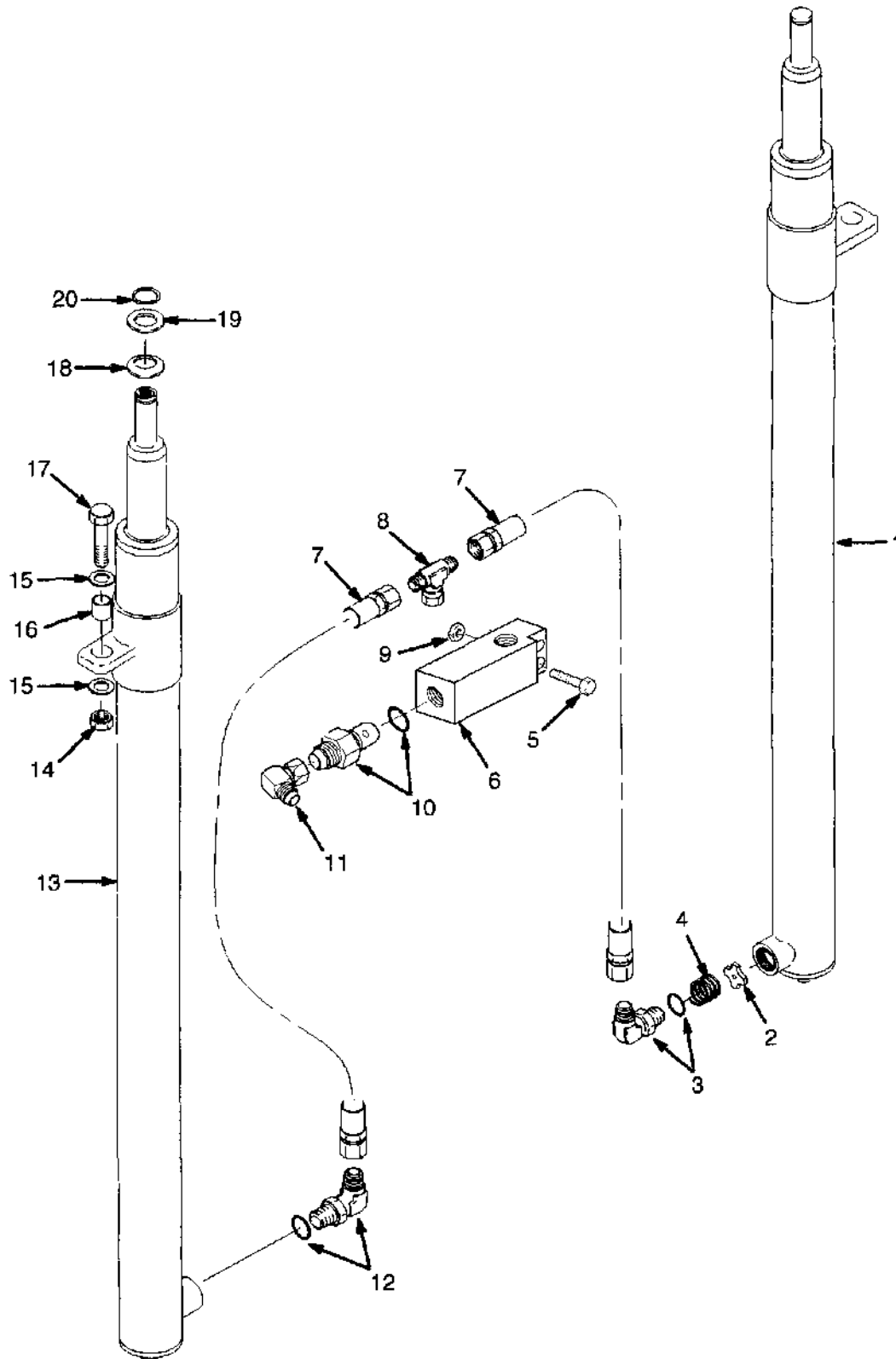
**INNER MAST  
TWO STAGE FULL FREE-LIFT**

ITEM	PART NO.	DESCRIPTION	QTY
1	a 1550078	Inner Mast (B559-3178).....	1
2	1345216	Stubshaft.....	2
3	1333399	Load Roller.....	2
4	58901	Snap Ring.....	2
5	129387	Shim (0,508 mm).....	AR
6	131358	Snap Ring.....	2
7	1379685	Chain Sheave Assembly.....	2
8	1378698	Chain Sheave.....	1
9	1378699	Bearing.....	1
10	37752	Snap Ring.....	1

**FOOTNOTES:**

a Refer to Table

## MAIN LIFT (Figure 11-3) TWO STAGE FULL FREE-LIFT

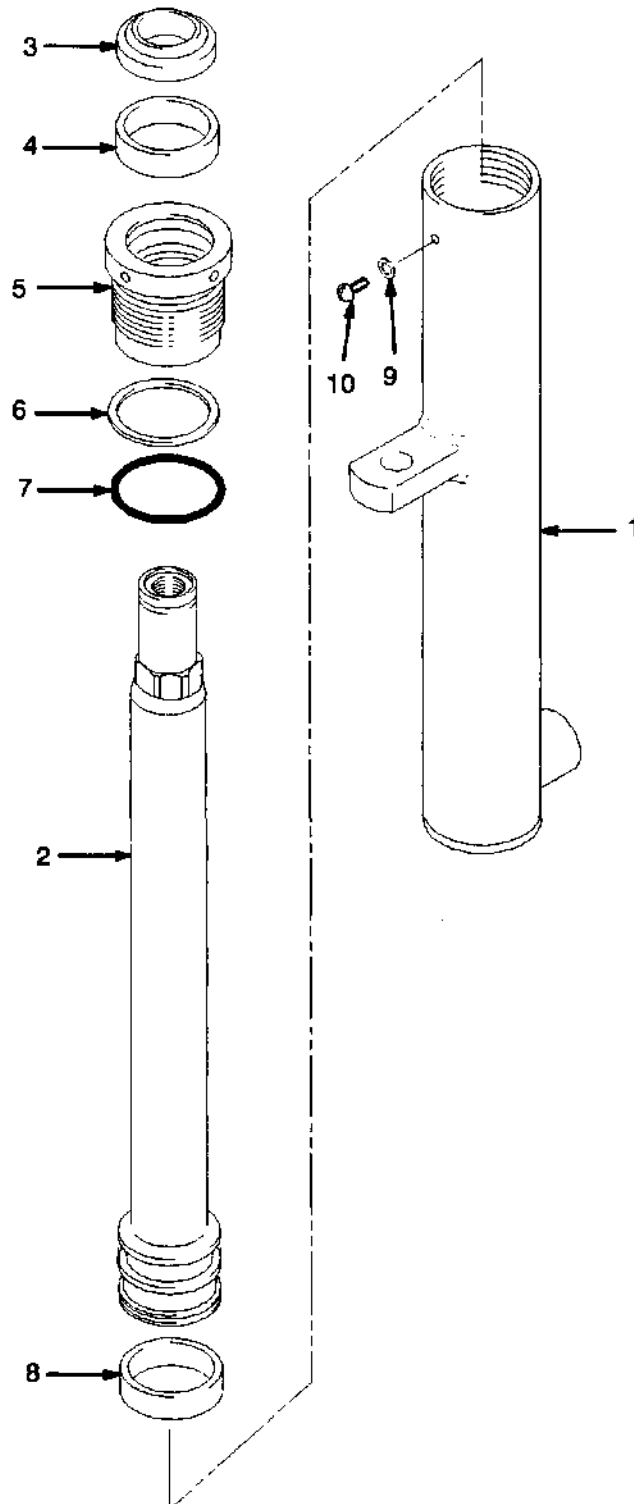


BP170168

**MAIN LIFT  
TWO STAGE FULL FREE-LIFT**

ITEM	PART NO.	DESCRIPTION	QTY
1	.....	Main Lift Cylinder (LH) (☞ Figure 11-5) .....	1
2	323160	Washer .....	1
3	1481344	Fitting .....	1
3	16485	O-Ring .....	1
3	252729	O-Ring .....	1
4	120938	Spring .....	1
5	292509	Capscrew .....	2
6	1379687	Housing (Lowering Control) .....	1
7	1481097	Hose .....	2
8	1532650	Fitting .....	1
8	252729	O-Ring .....	1
8	16485	O-Ring .....	1
9	313828	Nut .....	2
10	1481348	Control Valve .....	1
10	252729	O-Ring .....	1
10	16485	O-Ring .....	1
11	1486773	Fitting .....	1
11	252729	O-Ring .....	1
11	16485	O-Ring .....	1
12	1487067	Fitting .....	2
12	16485	O-Ring .....	1
12	252729	O-Ring .....	1
13	.....	Main Lift Cylinder (RH) (☞ Figure 11-4) .....	1
14	300937	Locknut .....	2
15	296422	Washer .....	4
16	323090	Spacer .....	2
17	292532	Capscrew .....	2
18	1354915	Washer (0.010 in.) .....	AR
18	1354916	Washer (0.030 in.) .....	AR
18	1354917	Washer (1.060 in.) .....	AR
19	1333382	Washer (1.50 mm) .....	2
20	131358	Snap Ring .....	3

## MAIN LIFT CYLINDER (Figure 11-4) RIGHT HAND TWO STAGE FULL FREE-LIFT

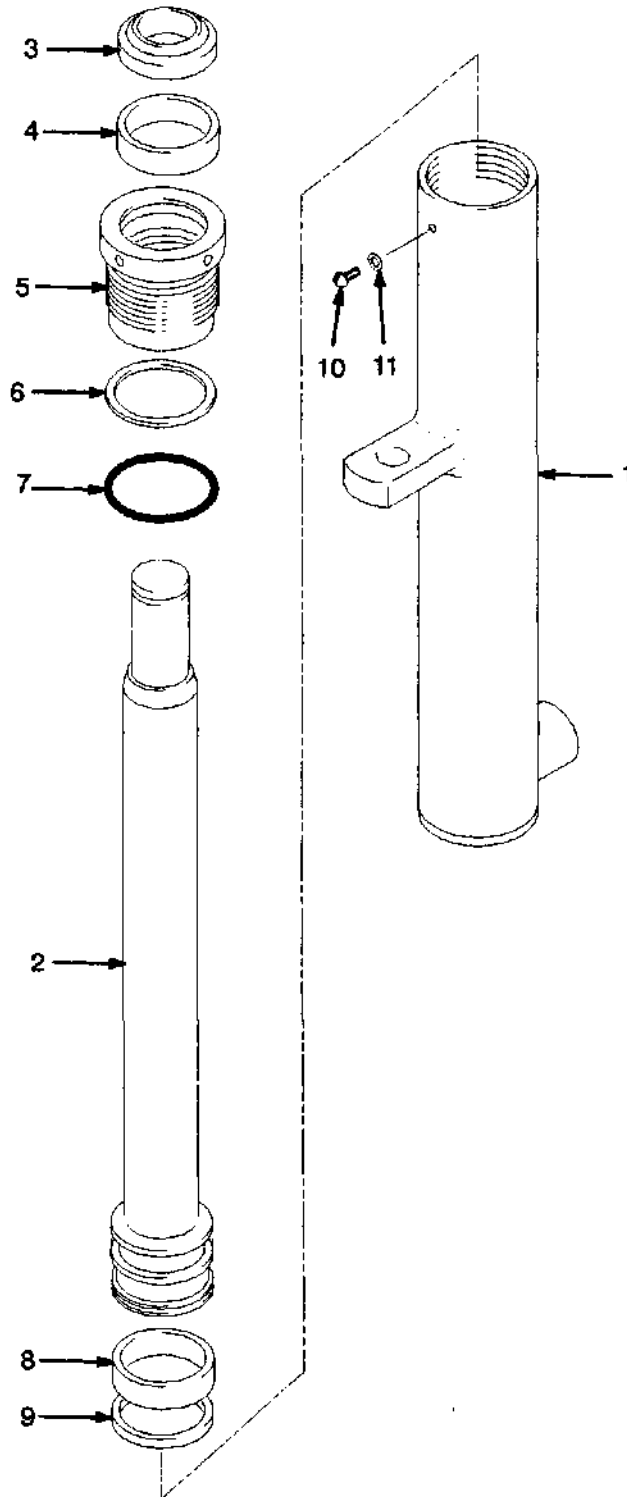


HP171211

**MAIN LIFT CYLINDER  
RIGHT HAND  
TWO STAGE FULL FREE-LIFT**

ITEM	PART NO.	DESCRIPTION	QTY
	2046336	Main Lift Cylinder.....	1
1	1365607	Shell.....	1
2	1365637	Rod.....	1
3	1310369	Wiper Ring.....	1
4	1381082	Rod Seal.....	1
5	1498116	Gland.....	1
6	132834	Back-Up Ring.....	1
7	55407	O-Ring.....	1
8	1374802	Wear Ring.....	1
9	1362875	Piston Ring.....	1
10	295649	Screw.....	1
	1498115	Seal Kit (Includes Items 3-4, 6-8).....	1

## MAIN LIFT CYLINDER (Figure 11-5) LEFT HAND TWO STAGE FULL FREE-LIFT

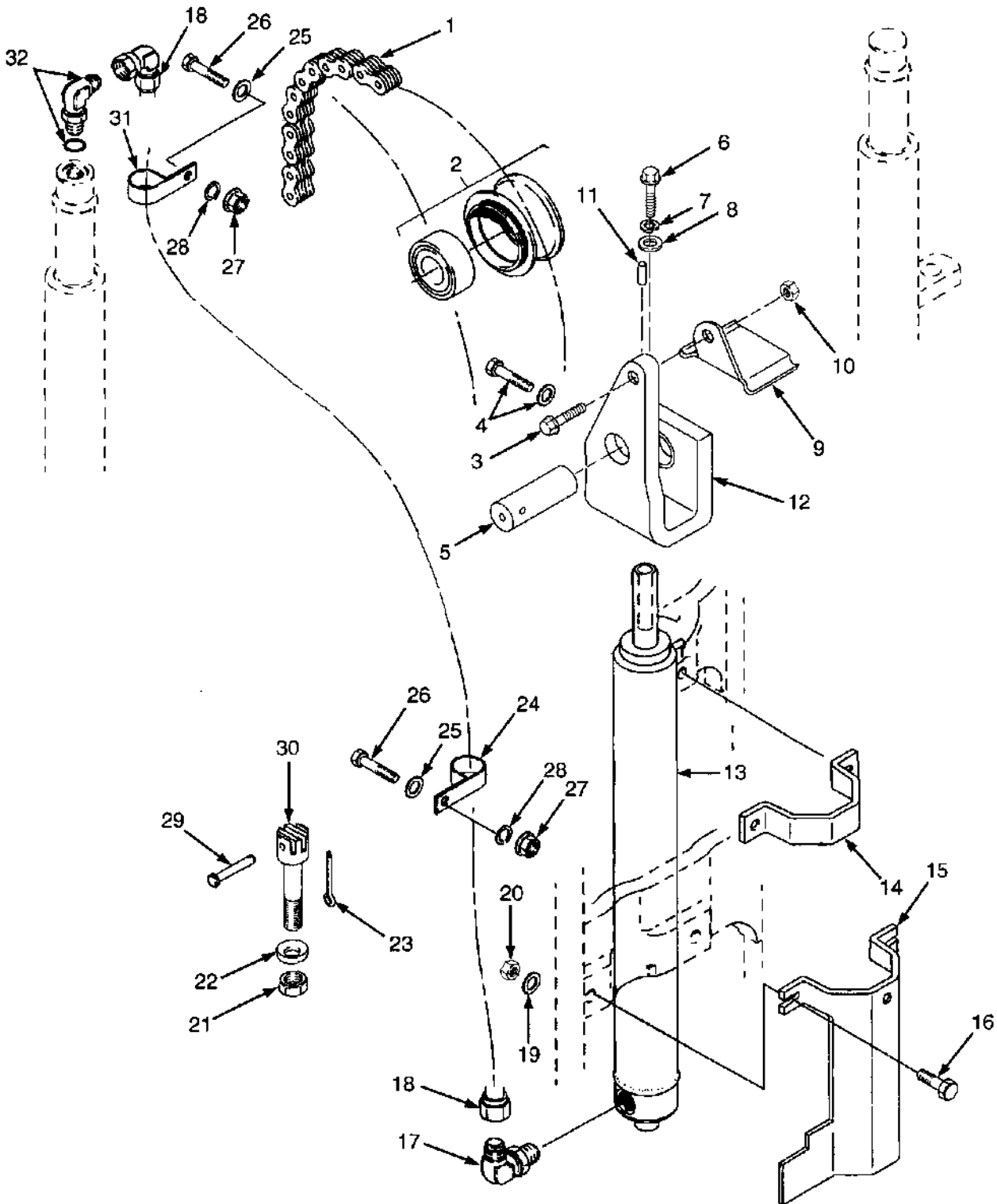


HP171210

**MAIN LIFT CYLINDER  
LEFT HAND  
TWO STAGE FULL FREE-LIFT**

ITEM	PART NO.	DESCRIPTION	QTY
	2046367	Main Lift Cylinder .....	1
1	1365607	Shell .....	1
2	1365666	Rod .....	1
3	1310369	Wiper Ring .....	1
4	1381082	Rod Seal .....	1
5	1498116	Gland .....	1
6	132834	Back-Up Ring .....	1
7	55407	O-Ring .....	1
8	1374802	Wear Ring .....	1
9	1362875	Piston Ring .....	1
10	295649	Screw .....	1
11	190887	Seal .....	1
	1498115	Seal Kit (Includes Items 3-4, 6-8, 11) .....	1

## FREE-LIFT (Figure 11-6) TWO STAGE FULL FREE-LIFT

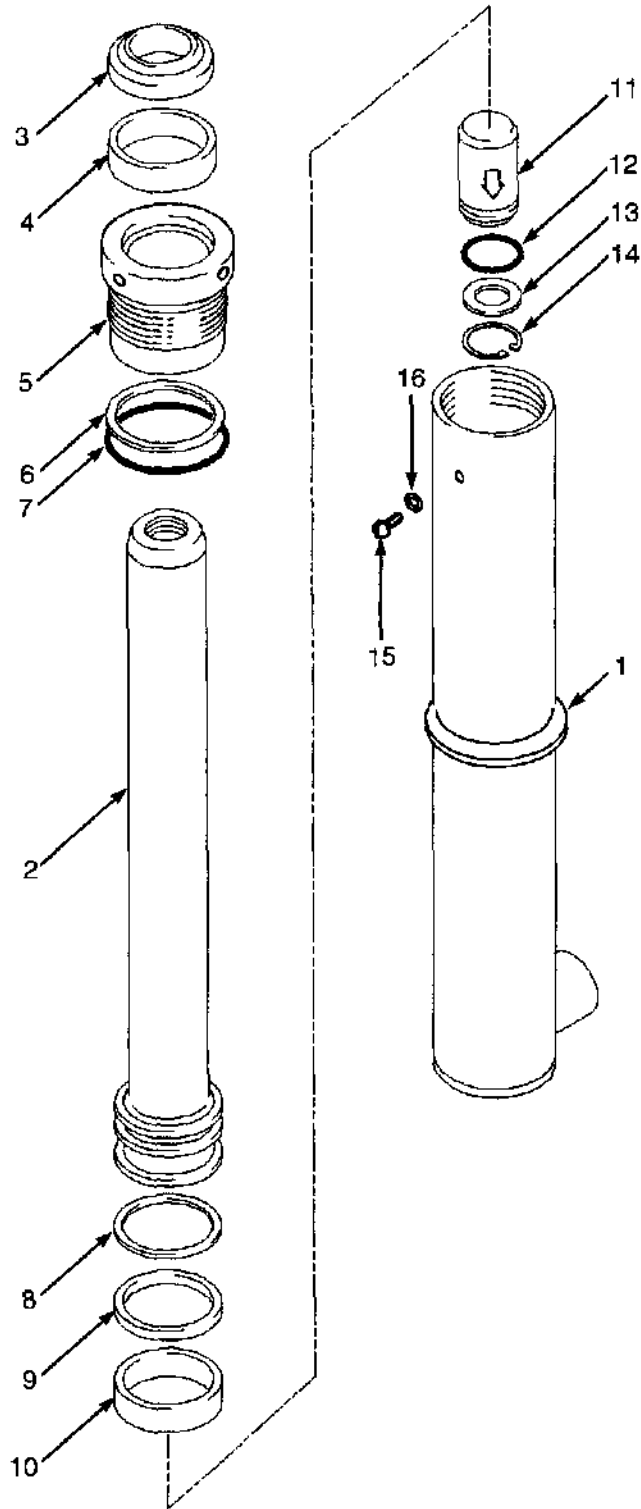


BP170159

**FREE-LIFT  
TWO STAGE FULL FREE-LIFT**

ITEM	PART NO.	DESCRIPTION	QTY
1	1550128	Chain .....	1
2	1481054	Chain Sheave Assembly.....	1
2	1481053	Chain Sheave .....	1
2	1378699	Bearing.....	2
3	246001	Capscrew.....	1
4	1481230	Capscrew.....	2
4	292681	Lockwasher.....	1
5	1481052	Crosshead Pin .....	1
6	293706	Capscrew.....	1
7	292687	Lockwasher.....	1
8	320169	Washer .....	1
9	1481055	Chain Guard .....	1
10	300937	Locknut .....	1
11	310549	Pin .....	1
12	1481009	Crosshead .....	2
13	.....	Free-Lift Cylinder (see Figure 11-7) .....	1
14	1489972	Bracket.....	1
15	1573676	Bracket (Cylinder Guard) .....	1
16	292528	Capscrew.....	4
17	1379496	Valve .....	1
17	16485	O-Ring .....	1
18	1481534	Hose .....	1
19	296422	Washer .....	4
20	300937	Locknut.....	4
21	161003	Nut.....	2
22	296426	Washer (Hardened).....	2
23	15211	Cotter Pin.....	2
24	178119	Clamp .....	1
25	320158	Washer .....	2
26	132861	Capscrew.....	2
27	239503	Nut.....	2
28	292681	Lockwasher.....	2
29	1514866	Pin .....	2
30	1605676	Chain Anchor.....	2
31	166112	Clamp .....	1
32	1481345	Fitting.....	1
32	16484	O-Ring.....	1
32	252729	O-Ring.....	1

## FREE LIFT CYLINDER (Figure 11-7) TWO STAGE FULL FREE-LIFT

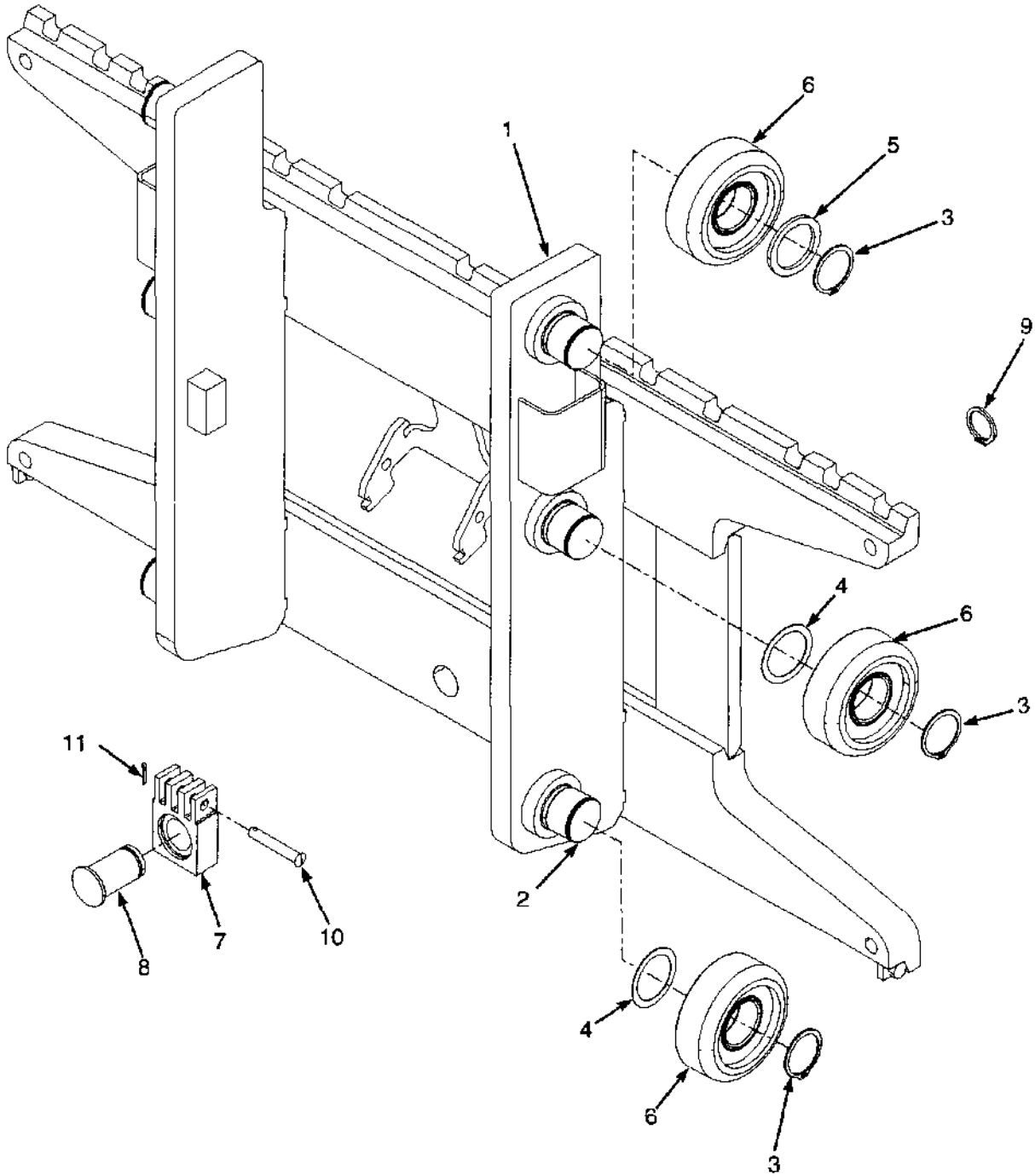


BP170160

**FREE LIFT CYLINDER  
TWO STAGE FULL FREE-LIFT**

ITEM	PART NO.	DESCRIPTION	QTY
	2068200	Free-Lift Cylinder .....	1
1	1362924	Shell .....	1
2	2068160	Rod Assembly .....	1
3	2013099	Wiper Ring.....	1
4	1358970	Seal .....	1
5	1362880	Gland.....	1
6	615135	Back-Up Ring .....	1
7	55146	O-Ring .....	1
8	638250	Back-Up Ring .....	1
9	201829	Rod Seal.....	1
10	1362881	Wear Ring .....	1
11	257913	Check Valve.....	1
12	39348	O-Ring .....	1
13	297531	Washer .....	1
14	187388	Snap Ring.....	1
15	1361302	Screw .....	1
16	190887	Seal .....	1
	1360141	Seal Kit (Includes Items 3-4, 6-10, 12, 16) .....	1

## CARRIAGE (Figure 11-8) TWO STAGE FULL FREE-LIFT

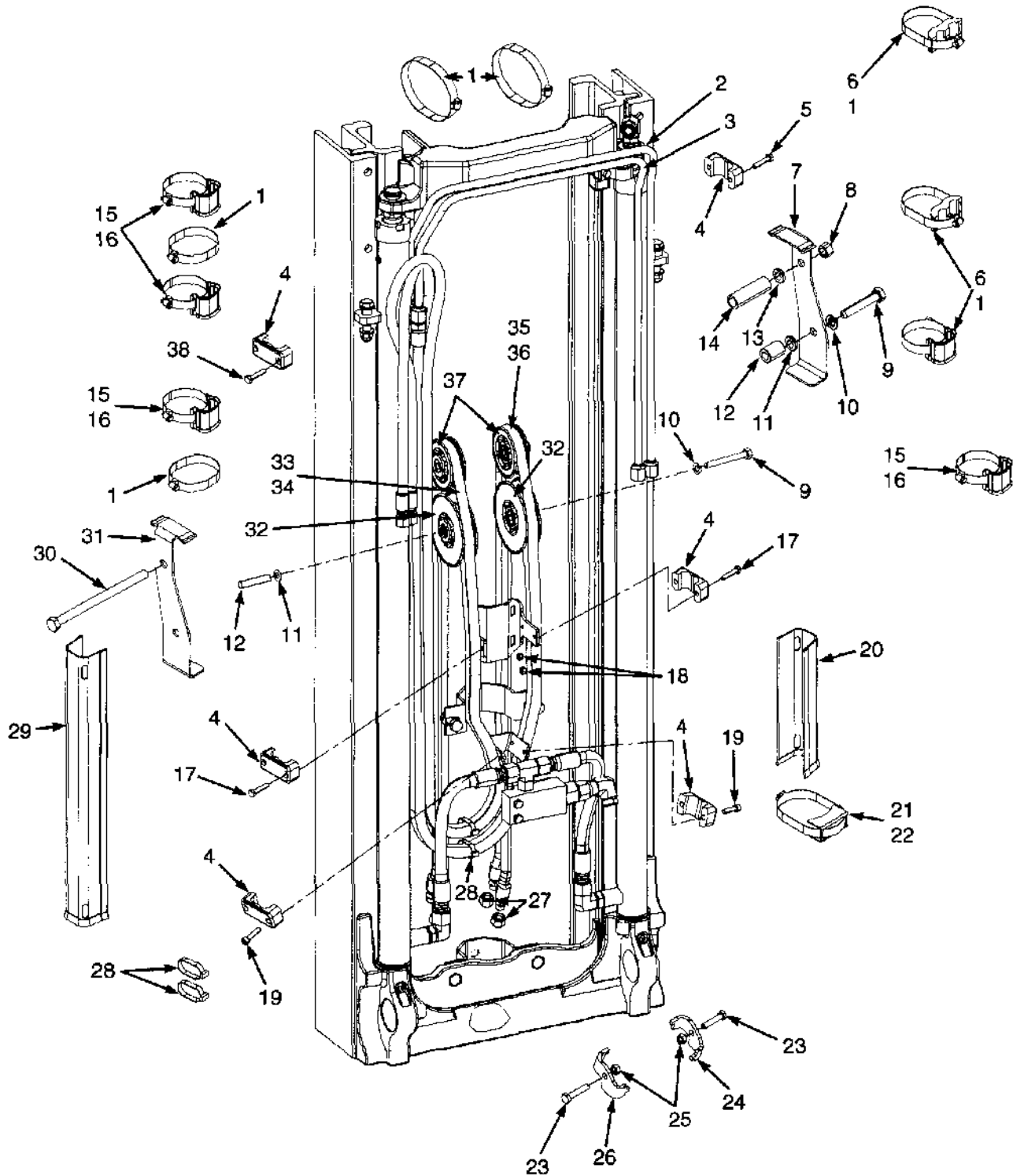


BP170161

**CARRIAGE  
TWO STAGE FULL FREE-LIFT**

ITEM	PART NO.	DESCRIPTION	QTY
	1549691	Carriage Assembly .....	1
1	1549681	Frame .....	1
2	1345216	Stubshaft.....	6
3	58901	Snap Ring.....	6
4	129387	Shim (0,508 mm).....	AR
5	366115	Spacer .....	2
6	1333399	Load Roller .....	6
7	1549685	Chain Anchor.....	1
8	185597	Chain Anchor Pin .....	1
9	131358	Snap Ring.....	2
10	1340687	Pin .....	1
11	15211	Cotter Pin .....	1

## HEADER HOSE (Figure 11-9) TWO STAGE FULL FREE-LIFT



EP170165

**HEADER HOSE  
TWO STAGE FULL FREE-LIFT**

ITEM	DESCRIPTION	LIFT HEIGHT TO BOTTOM OF FORKS	
		2878 mm	3178 mm
	1 2 3 4 Mast Group Number	B559 2878	B559 3178
2	Tube	1549995	1549998
3	Tube	1549965	1549968
29	Channel	1365512	1365516
33	Hose	2075628	2073828
34	Hose	1481944	1481947
35	Hose	2073796	2073799
36	Hose	1481884	1481887

**KEY:****A: Three Function****B: Four Function**

ITEM	PART NO.	DESCRIPTION	QTY	
			A	B
1	1360507	Clamp .....	7	9
2	a	Tube .....	1	1
3	a	Tube .....	1	1
4	1360386	Clamp .....	3	6
5	1581842	Capscrew .....	2	..
6	1353530	Clamp .....	2	2
7	1481253	Bracket (RH) .....	1	1
8	1581849	Nut .....	1	1
9	1581592	Capscrew .....	1	2
10	1581564	Lockwasher .....	1	2
11	1581560	Washer .....	2	4
12	1481255	Stub Shaft .....	1	2
13	1581559	Washer .....	..	1
14	1550020	Spacer .....	..	1
15	1481229	Clamp .....	1	4
16	1477996	Clamp .....	1	4
17	1581742	Capscrew .....	2	4
18	1581565	Nut .....	4	8
19	1581741	Capscrew .....	2	4
20	1605688	Channel .....	1	1
21	1345423	Clamp .....	1	1
22	1360508	Clamp .....	1	1
23	1581582	Capscrew .....	1	2
24	1481765	Clamp .....	1	1
25	1581566	Nut .....	1	2
26	1481766	Clamp .....	..	1
27	1529015	Cap .....	2	4
28	137852	Strap Clamp .....	1	2
29	a	Channel .....	1	1
30	1581830	Capscrew .....	1	..
30	1597560	Capscrew .....	..	1

## HEADER HOSE TWO STAGE FULL FREE-LIFT

ITEM	PART NO.	DESCRIPTION	QTY	
			A	B
31	1481254	Bracket (LH).....	..	1
32	1481249	Hose Sheave .....	1	2
32	1353521	Bushing .....	1	1
33	a .....	Hose .....	..	1
34	a .....	Hose .....	..	1
35	a .....	Hose .....	1	1
36	a .....	Hose .....	1	1
37	1481248	Hose Sheave .....	1	2
37	1353521	Bushing .....	1	1
38	1581843	Capscrew.....	..	2

**FOOTNOTES:**

a Refer to Table