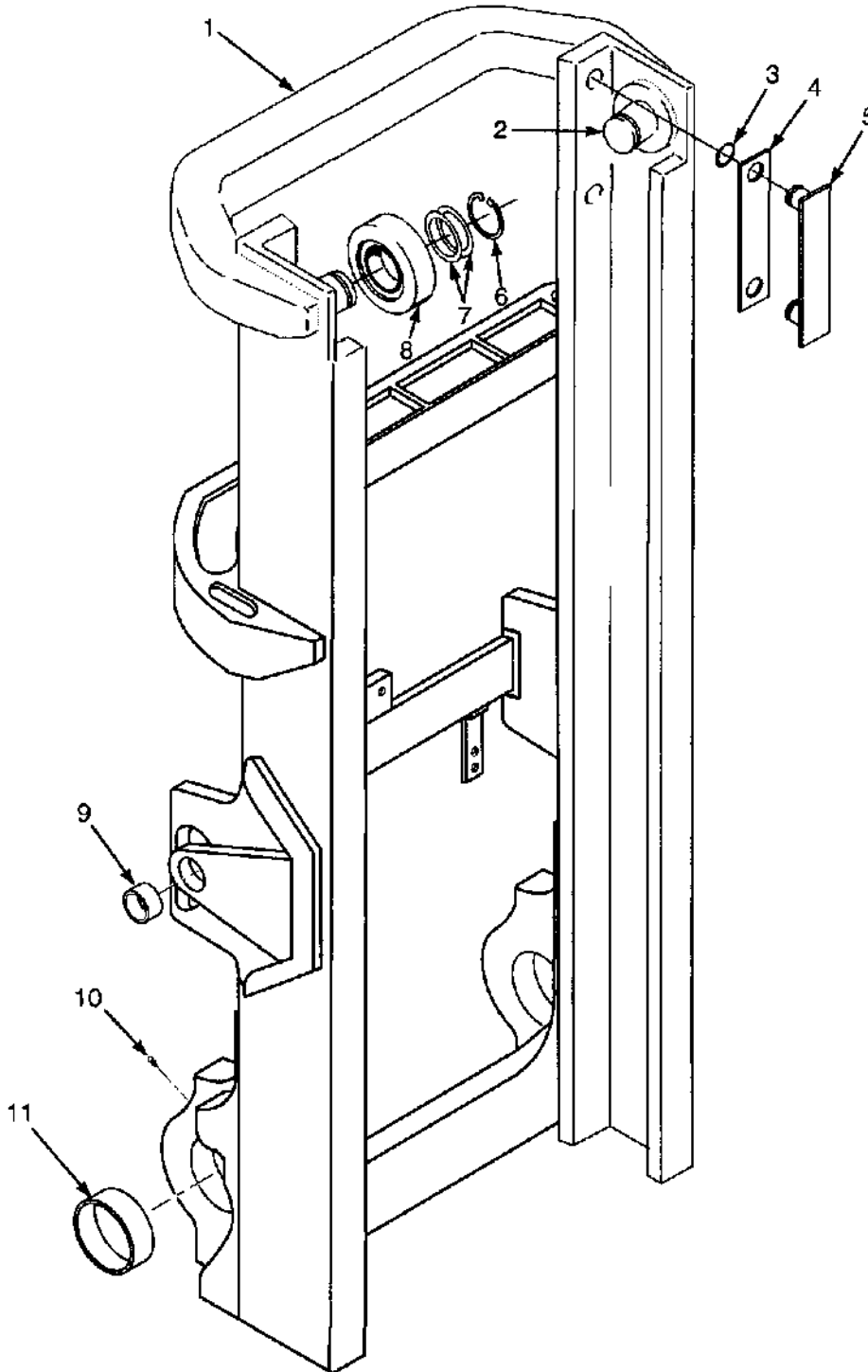


OUTER MAST (Figure 10-1) TWO STAGE LIMITED FREE-LIFT



BP170184

**OUTER MAST
TWO STAGE LIMITED FREE-LIFT**

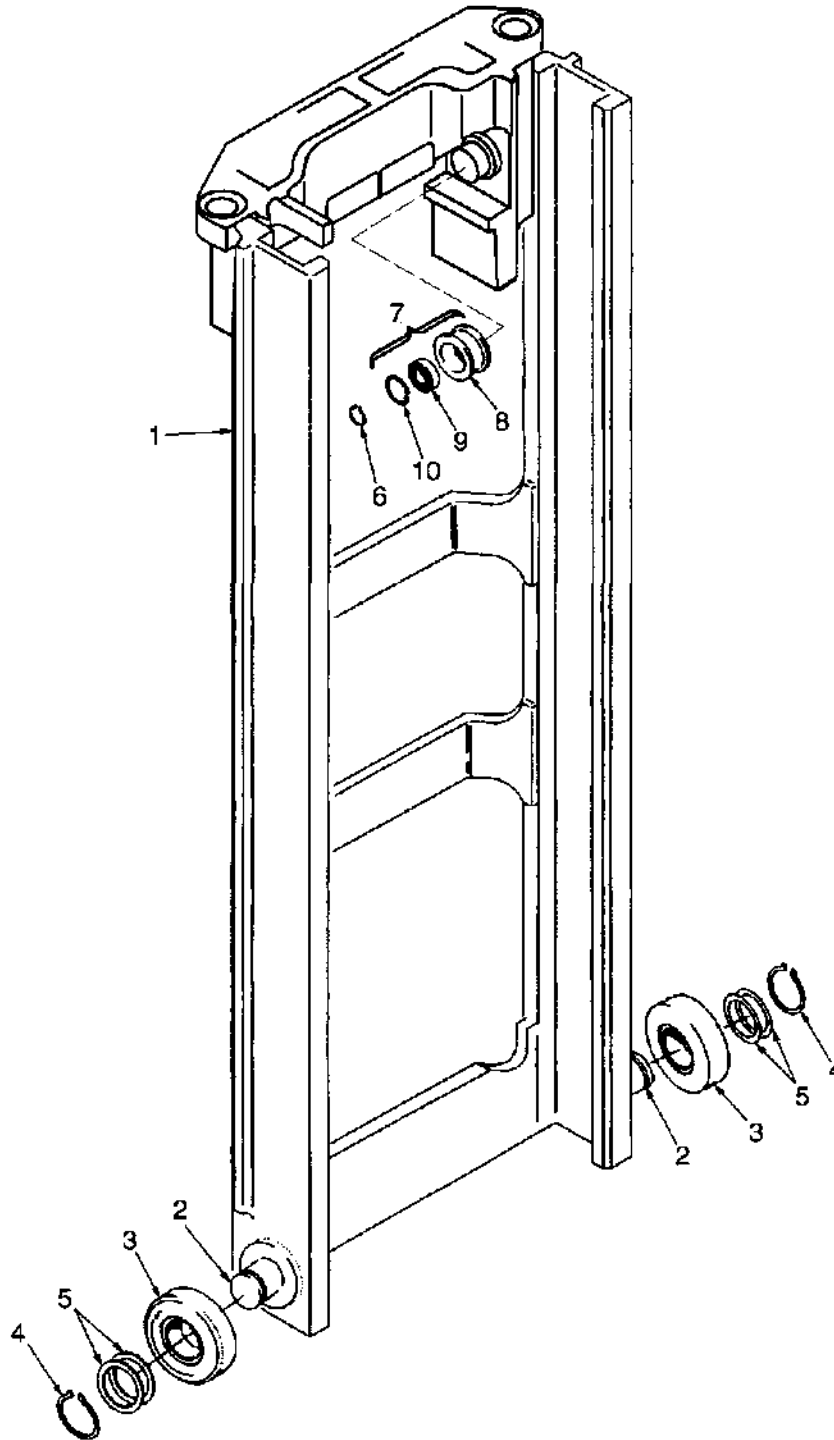
ITEM	DESCRIPTION 1 2 3 4	LIFT HEIGHT TO BOTTOM OF FORKS		
		3292 mm	3792 mm	4292 mm
		Mast Group Number	B551 3292	B551 3792
1	Outer Mast	1531668	1531673	1531679

ITEM	PART NO.	DESCRIPTION	QTY
	a	Outer Mast.....	1
2	1345264	Stubshaft.....	2
3	104506	O-Ring.....	4
4	131716	Shim (0,508 mm).....	4
5	215212	Bearing Strip.....	2
6	58901	Snap Ring.....	2
7	1333399	Load Roller.....	2
8	129387	Shim (0,508 mm).....	AR
9	1348185	Bushing.....	2
10	16001	Lube Fitting.....	2
11	1536287	Bushing (Mast Mounting).....	2

FOOTNOTES:

a Refer to Table

INNER MAST (Figure 10-2) TWO STAGE LIMITED FREE-LIFT



BP170166

INNER MAST TWO STAGE LIMITED FREE-LIFT

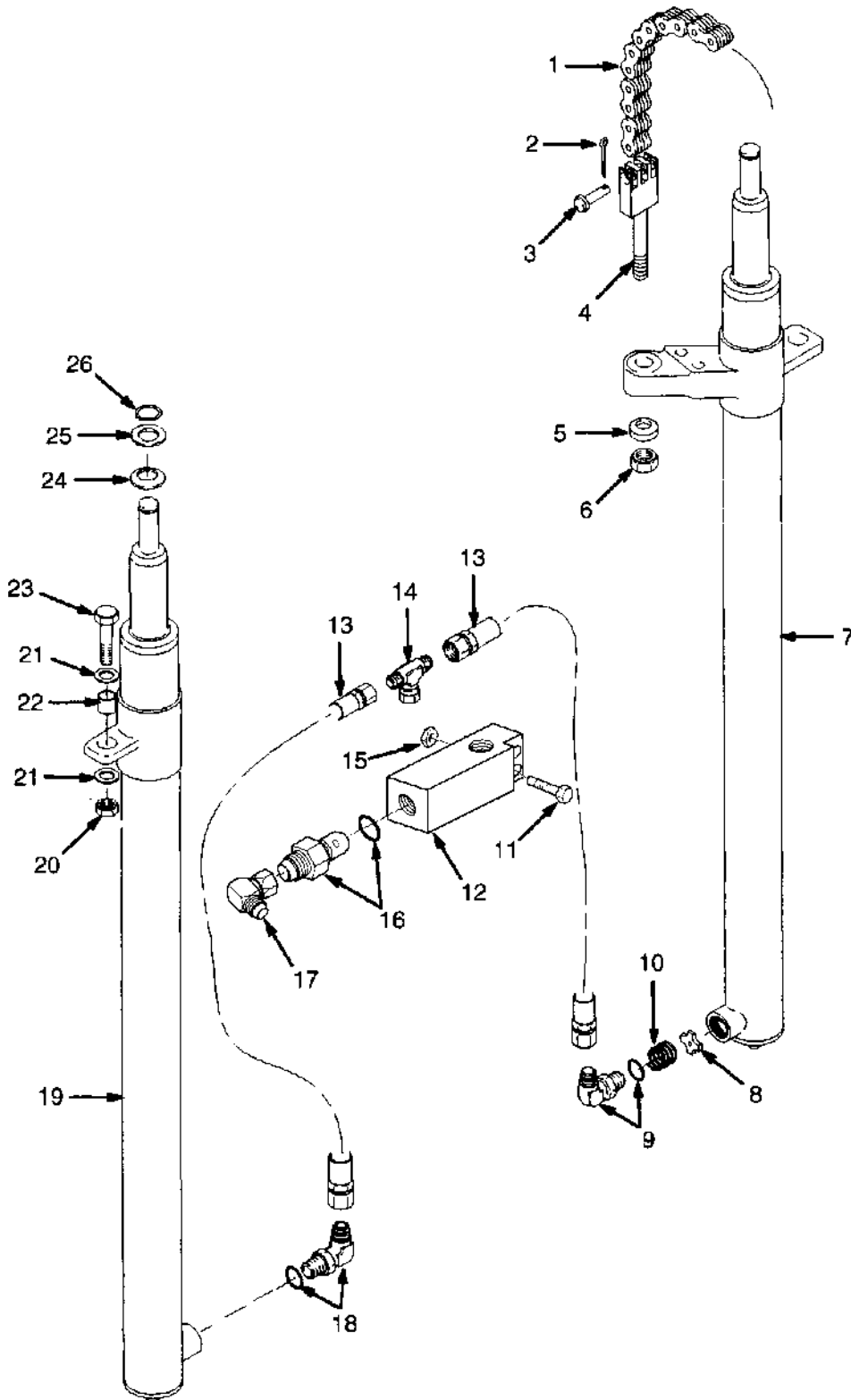
ITEM	DESCRIPTION	LIFT HEIGHT TO BOTTOM OF FORKS		
		3292 mm	3792 mm	4292 mm
		Mast Group Number	B551 3292	B551 3792
1	Inner Mast	1348459	1348464	1348469

ITEM	PART NO.	DESCRIPTION	QTY
	a	Inner Mast.....	1
2	1345264	Stubshaft.....	2
3	1333399	Load Roller.....	2
4	58901	Snap Ring.....	2
5	129387	Shim (0,508 mm).....	AR
6	131358	Snap Ring.....	2
7	1379685	Chain Sheave Assembly.....	2
8	1378698	Chain Sheave.....	1
9	1378699	Bearing.....	1
10	37752	Snap Ring.....	1

FOOTNOTES:

a Refer to Table

MAIN LIFT (Figure 10-3) TWO STAGE LIMITED FREE-LIFT



BP170157

**MAIN LIFT
TWO STAGE LIMITED FREE-LIFT**

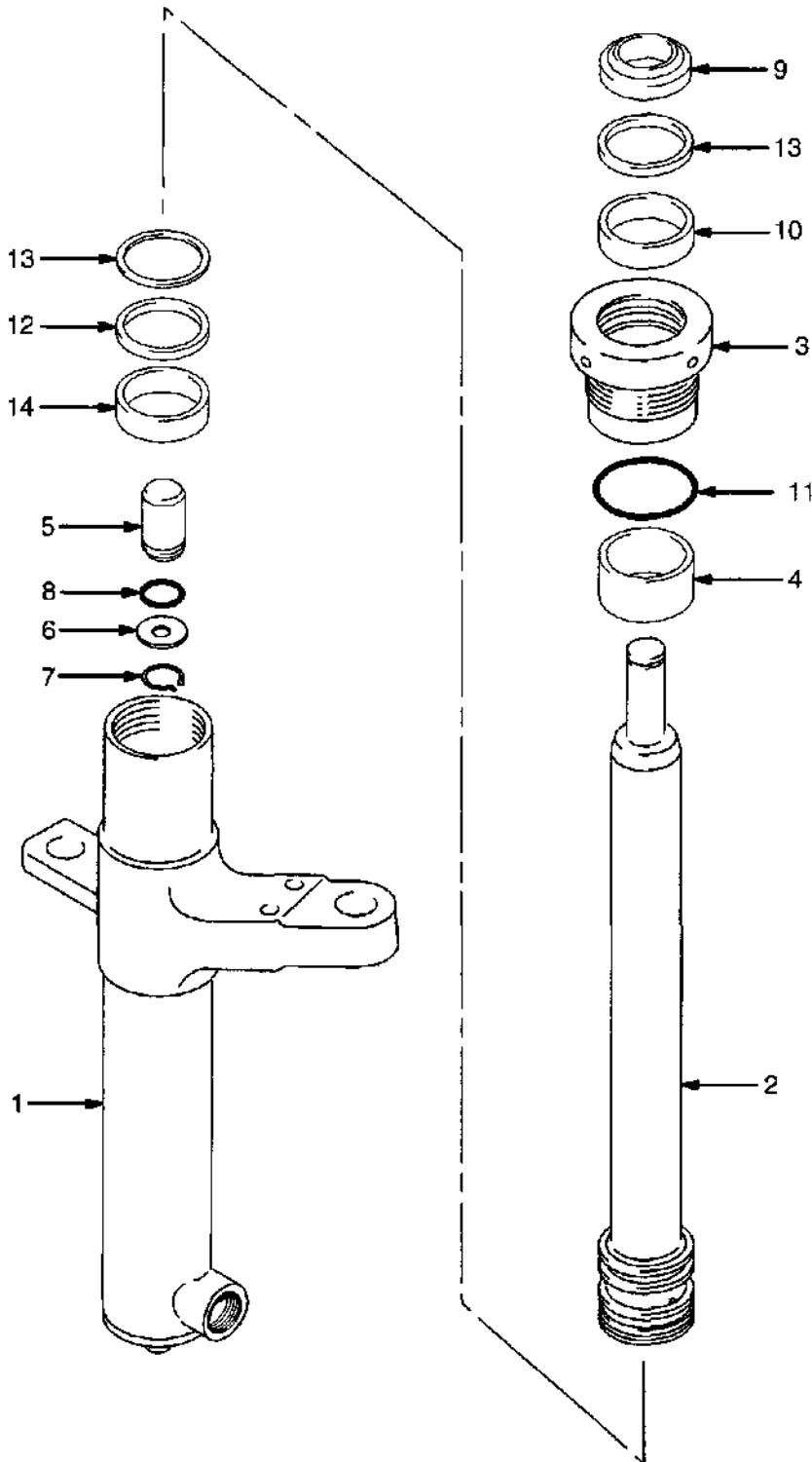
ITEM	DESCRIPTION	LIFT HEIGHT TO BOTTOM OF FORKS			
		1 2 3 4	3292 mm	3792 mm	4292 mm
		Mast Group Number	B551 3292	B551 3792	B551 4292
1	Chain		135634	177352	336391

ITEM	PART NO.	DESCRIPTION	QTY
1	a	Chain	2
2	15211	Cotter Pin	2
3	1514866	Pin	2
4	1369357	Chain Anchor	2
5	296426	Washer (Hardened)	2
6	60137	Nut	2
7		Main Lift Cylinder (LH) (See Figure 10-5)	1
8	323160	Washer	1
9	1481344	Fitting	1
9	252729	O-Ring	1
9	16485	O-Ring	1
10	120938	Spring	1
11	292509	Capscrew	2
12	1379687	Housing (Lowering Control)	1
13	1481097	Hose	2
14	1532650	Fitting	1
14	252729	O-Ring	1
14	16485	O-Ring	1
15	313828	Nut	2
16	1481348	Control Valve	1
16	280154	O-Ring	1
16	16486	O-Ring	1
17	1486773	Fitting	1
17	252729	O-Ring	1
17	16485	O-Ring	1
18	1487067	Fitting	1
18	252729	O-Ring	1
18	16485	O-Ring	1
19		Main Lift Cylinder (RH) (See Figure 10-4)	1
20	300937	Locknut	2
21	296422	Washer	4
22	323090	Spacer	2
23	292532	Capscrew	2
24	1354915	Washer	AR
24	1354916	Washer	AR
24	1354917	Washer	AR
25	1333382	Washer (1.50 mm)	2
26	131358	Snap Ring	2

FOOTNOTES:

a Refer to Table

MAIN LIFT CYLINDER (Figure 10-4) RIGHT HAND TWO STAGE LIMITED FREE-LIFT



HP171198

**MAIN LIFT CYLINDER
RIGHT HAND
TWO STAGE LIMITED FREE-LIFT**

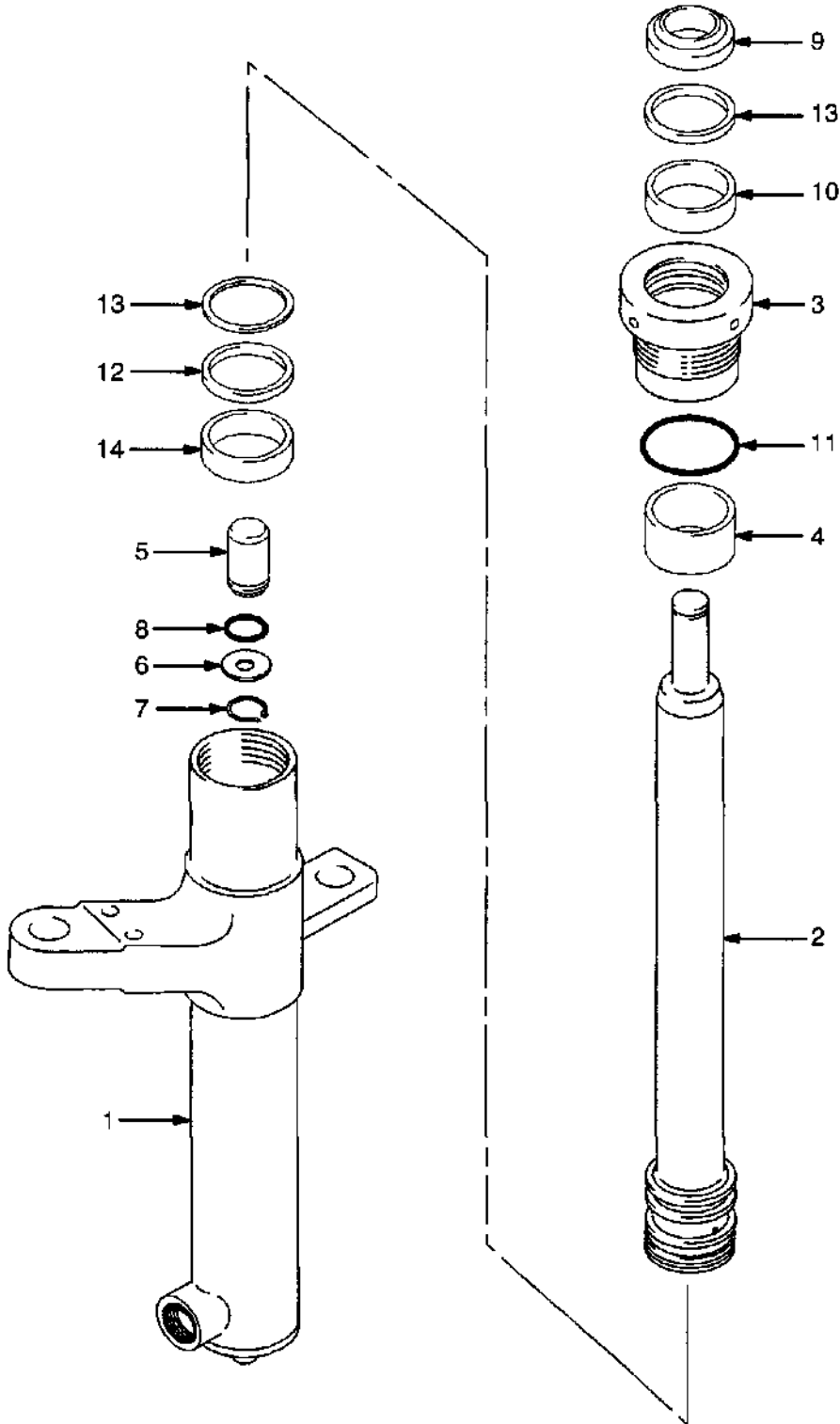
ITEM	DESCRIPTION	LIFT HEIGHT TO BOTTOM OF FORKS		
		1 2 3 4	3292 mm	3792 mm
	Mast Group Number	B551 3292	B551 3792	B551 4292
Cylinder Group Number	8601659	8601664	8601668	
	Main Lift Cylinder	1361376	1362531	1362561
1	Shell	1361377	1362532	1362562
2	Rod	1361374	1362529	1362559

ITEM	PART NO.	DESCRIPTION	QTY
	a	Main Lift Cylinder.....	1
1	a	Shell	1
2	a	Rod.....	1
3	1371653	Gland.....	1
4	322902	Wear Ring	1
5	257913	Check Valve.....	1
6	297531	Washer	1
7	187388	Snap Ring.....	1
8	190580	O-Ring.....	1
9	1319668	Wiper Ring.....	1
10	1381095	Rod Seal.....	1
11	55407	O-Ring	1
12	330692	Seal	2
13	322824	Back-Up Ring	1
14	1362871	Wear Ring	1
	1360140	Seal Kit (Includes Items 4, 8-14)	1

FOOTNOTES:

a Refer to Table

MAIN LIFT CYLINDER (Figure 10-5) LEFT HAND TWO STAGE LIMITED FREE-LIFT



HP171197

**MAIN LIFT CYLINDER
LEFT HAND
TWO STAGE LIMITED FREE-LIFT**

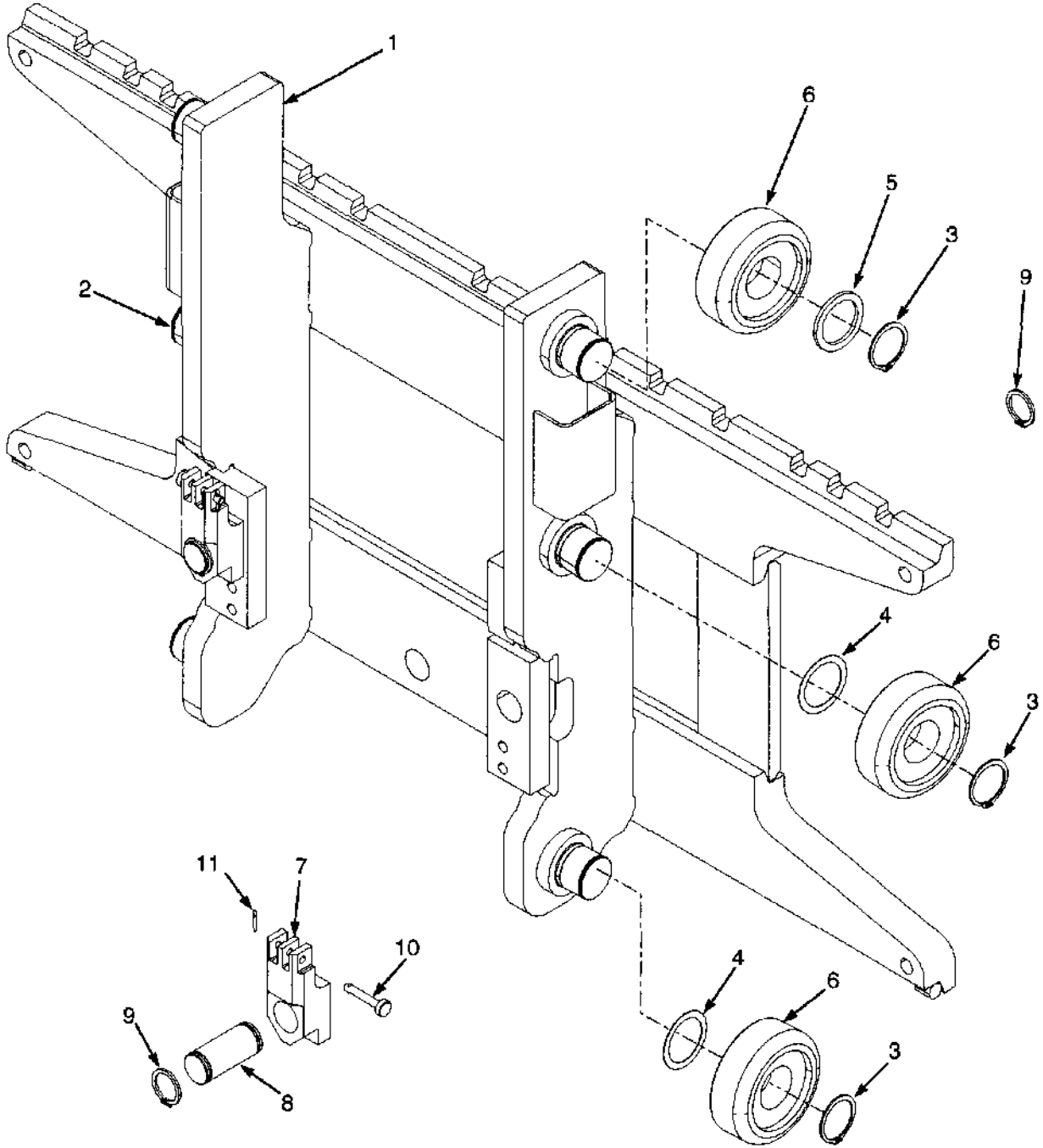
ITEM	DESCRIPTION	LIFT HEIGHT TO BOTTOM OF FORKS		
		3292 mm	3792 mm	4292 mm
	1 2 3 4			
	Mast Group Number	B551 3292	B551 3792	B551 4292
	Cylinder Group Number	8601609	8601614	8601619
	Main Lift Cylinder	1361372	1362527	1362557
1	Shell	1361373	1362528	1362558
2	Rod	1361374	1362529	1362559

ITEM	PART NO.	DESCRIPTION	QTY
	a	Main Lift Cylinder	1
1	a	Shell	1
2	a	Rod	1
3	1371653	Gland	1
4	322902	Wear Ring	1
5	257913	Check Valve	1
6	297531	Washer	1
7	187388	Snap Ring	1
8	190580	O-Ring	1
9	1319668	Wiper Ring	1
10	1381095	Rod Seal	1
11	55407	O-Ring	1
12	330692	Seal	1
13	322824	Back-Up Ring	2
14	1362871	Wear Ring	1
	1360140	Seal Kit (Includes Items 4, 8-14)	1

FOOTNOTES:

a Refer to Table

CARRIAGE (Figure 10-6) TWO STAGE LIMITED FREE-LIFT

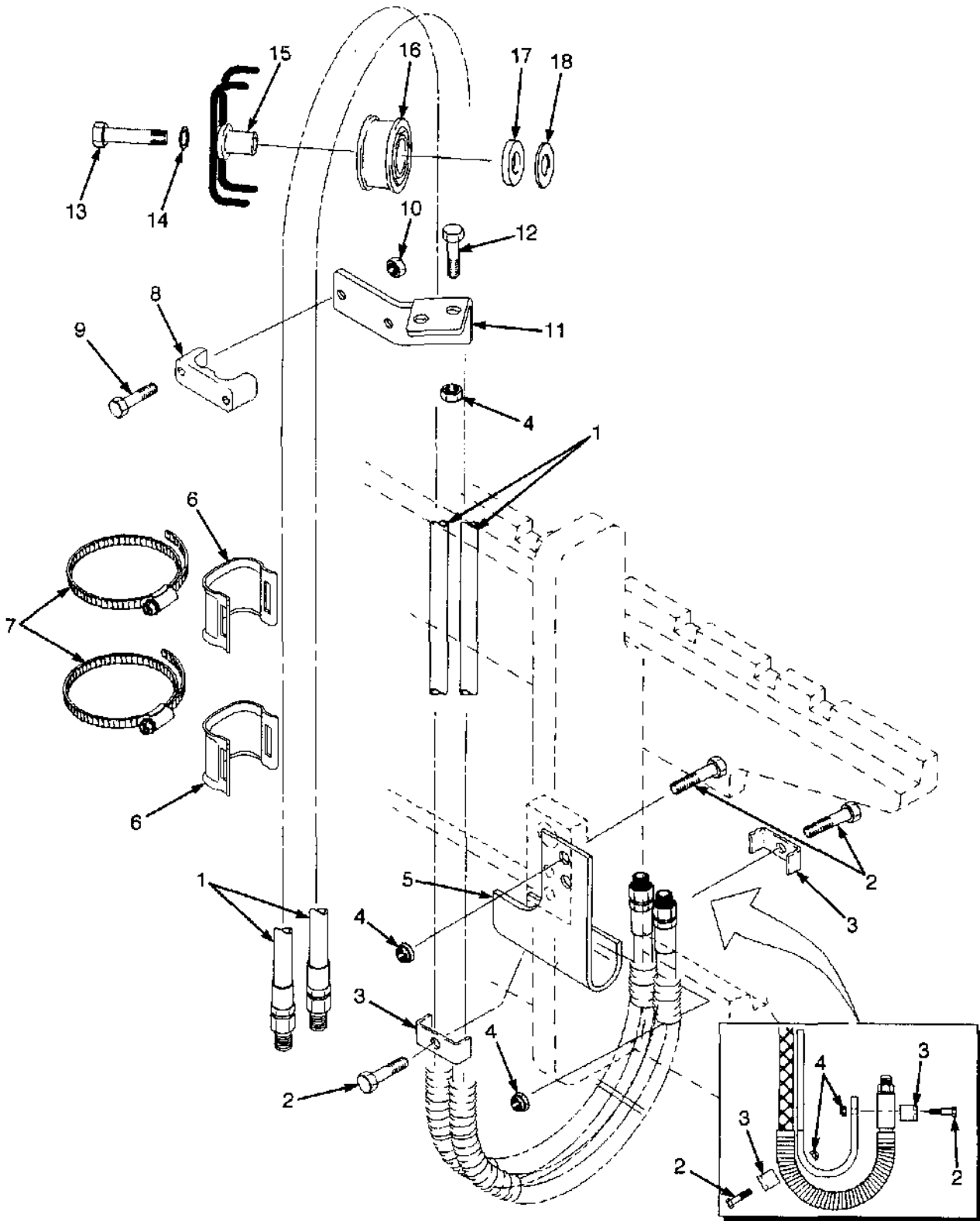


BP170168

**CARRIAGE
TWO STAGE LIMITED FREE-LIFT**

ITEM	PART NO.	DESCRIPTION	QTY
	1482297	Carriage Assembly	1
1	1526274	Frame	1
2	1345216	Stubshaft	6
3	58901	Snap Ring.....	6
4	129387	Shim (0,508 mm).....	AR
5	366115	Spacer	2
6	1333399	Load Roller.....	6
7	1481288	Chain Anchor.....	2
8	1353408	Pin	2
9	131358	Snap Ring.....	4
10	1514866	Pin	2
11	15200	Cotter Pin	2

HEADER HOSES (Figure 10-7) TWO STAGE LIMITED FREE-LIFT



HP170914

**HEADER HOSES
TWO STAGE LIMITED FREE-LIFT**

ITEM	DESCRIPTION	LIFT HEIGHT TO BOTTOM OF FORKS		
		3292 mm	3792 mm	4292 mm
	Mast Group Number	B551 3292	B551 3792	B551 4292
1	Hose	1482249	1482254	1482259

KEY:

A: Three Functions

B: Four Functions

ITEM	PART NO.	DESCRIPTION	QTY	
			A	B
1	a	Hose	2	4
2	292508	Capscrew	4	8
3	1345348	Clamp	2	4
4	313828	Nut	6	6
5	1345412	Bracket (RH)	1	1
5	1345413	Bracket (LH)	1
6	1477996	Clamp	2	4
7	1481229	Clamp	4	8
8	1360386	Clamp	1	2
9	292502	Capscrew	2	4
10	313805	Nut	2	4
11	1363486	Bracket	1	2
12	136704	Capscrew	2	4
13	292533	Capscrew	1	2
14	292683	Lockwasher	1	2
15	1360548	Stubshaft	1	2
16	1494017	Sheave	1	2
17	1360549	Spacer	1	2
18	1345190	Washer	2	4

FOOTNOTES:

a Refer to Table