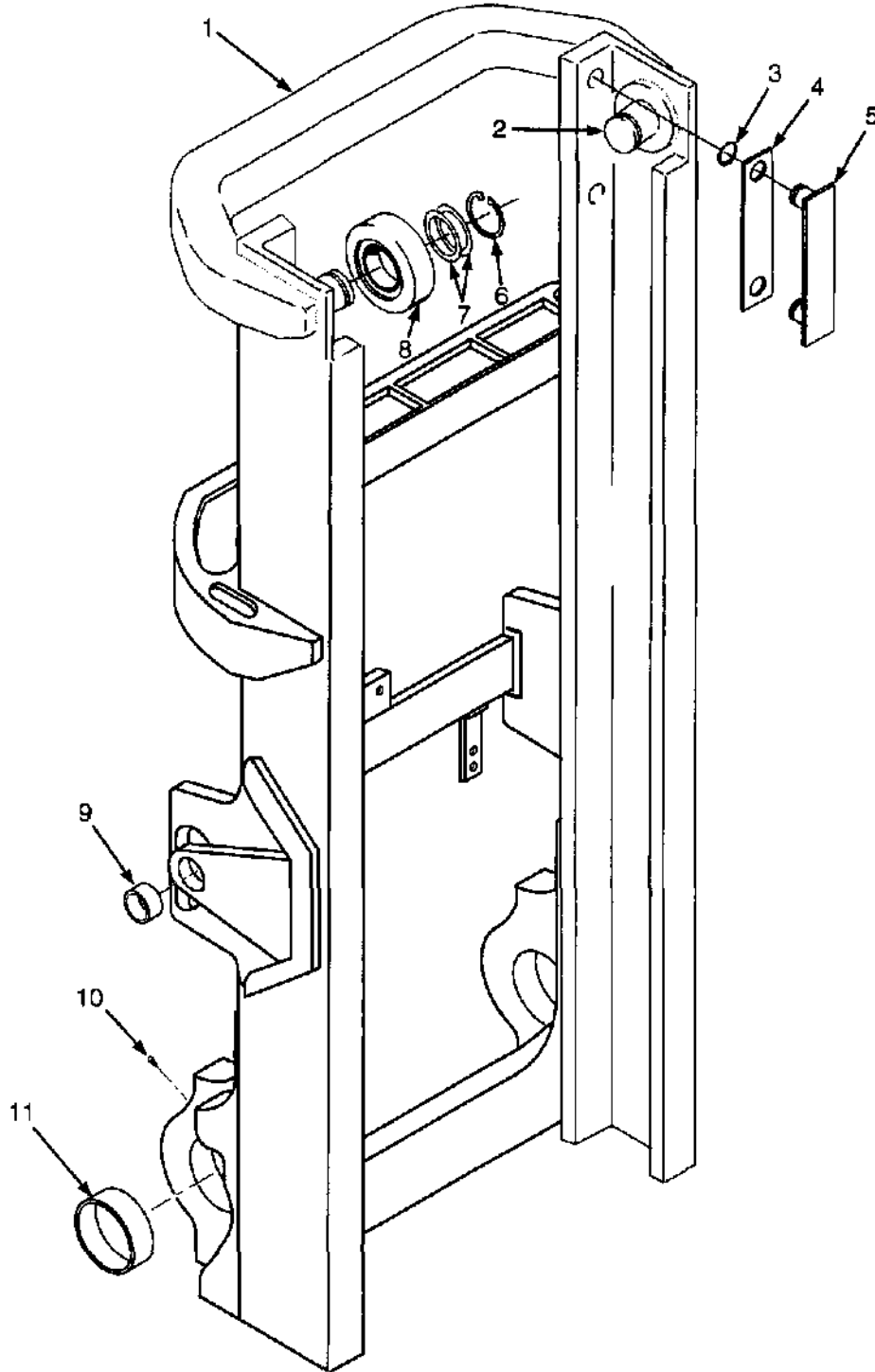


## OUTER MAST (Figure 12-1) THREE STAGE FULL FREE-LIFT



6

BP170184

## OUTER MAST THREE STAGE FULL FREE-LIFT

| ITEM | DESCRIPTION         | LIFT HEIGHT TO BOTTOM OF FORKS |             |             |
|------|---------------------|--------------------------------|-------------|-------------|
|      |                     | 4410 mm                        | 4710 mm     | 5460 mm     |
|      | 1 2 3 4             |                                |             |             |
|      | <b>Mast</b>         | <b>B555</b>                    | <b>B555</b> | <b>B555</b> |
|      | <b>Group Number</b> | <b>4410</b>                    | <b>4710</b> | <b>5460</b> |
| 1    | Outer Mast          | 1531665                        | 1531667     | 1531673     |

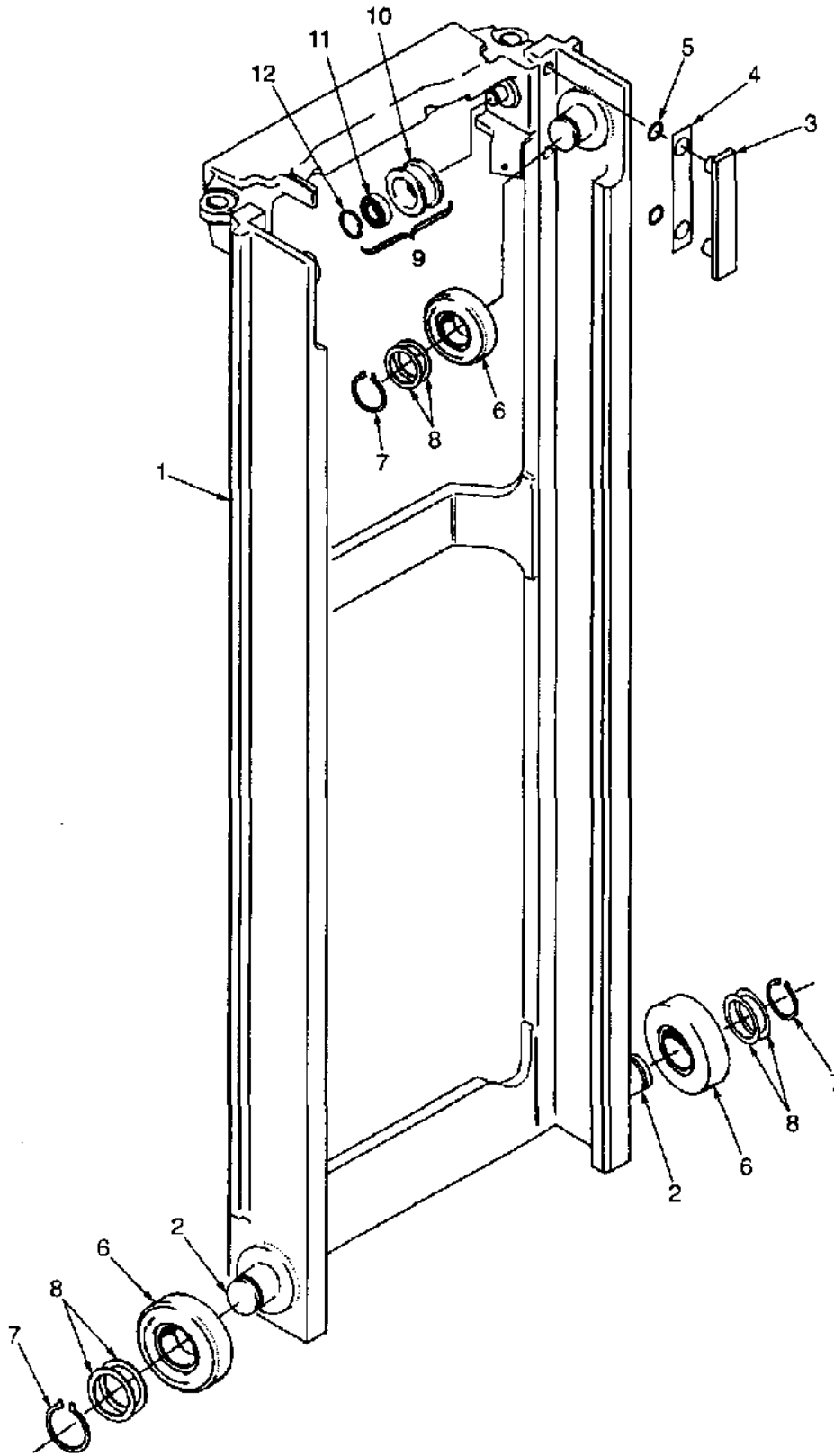
| ITEM | PART NO. | DESCRIPTION                  | QTY |
|------|----------|------------------------------|-----|
| 1    | a        | Outer Mast.....              | 1   |
| 2    | 1345216  | Stubshaft.....               | 2   |
| 3    | 104506   | O-Ring.....                  | 4   |
| 4    | 131716   | Shim (0,508 mm).....         | 4   |
| 5    | 215212   | Bearing Strip.....           | 2   |
| 6    | 58901    | Snap Ring.....               | 2   |
| 7    | 129387   | Shim (0,508 mm).....         | AR  |
| 8    | 1333399  | Load Roller.....             | 2   |
| 9    | 1348185  | Bushing.....                 | 2   |
| 10   | 16001    | Lube Fitting.....            | 2   |
| 11   | 1536287  | Bushing (Mast Mounting)..... | 2   |

**FOOTNOTES:**

a Refer to Table

6

## INTERMEDIATE MAST (Figure 12-2) THREE STAGE FULL FREE-LIFT



HP171181

**INTERMEDIATE MAST  
THREE STAGE FULL FREE-LIFT**

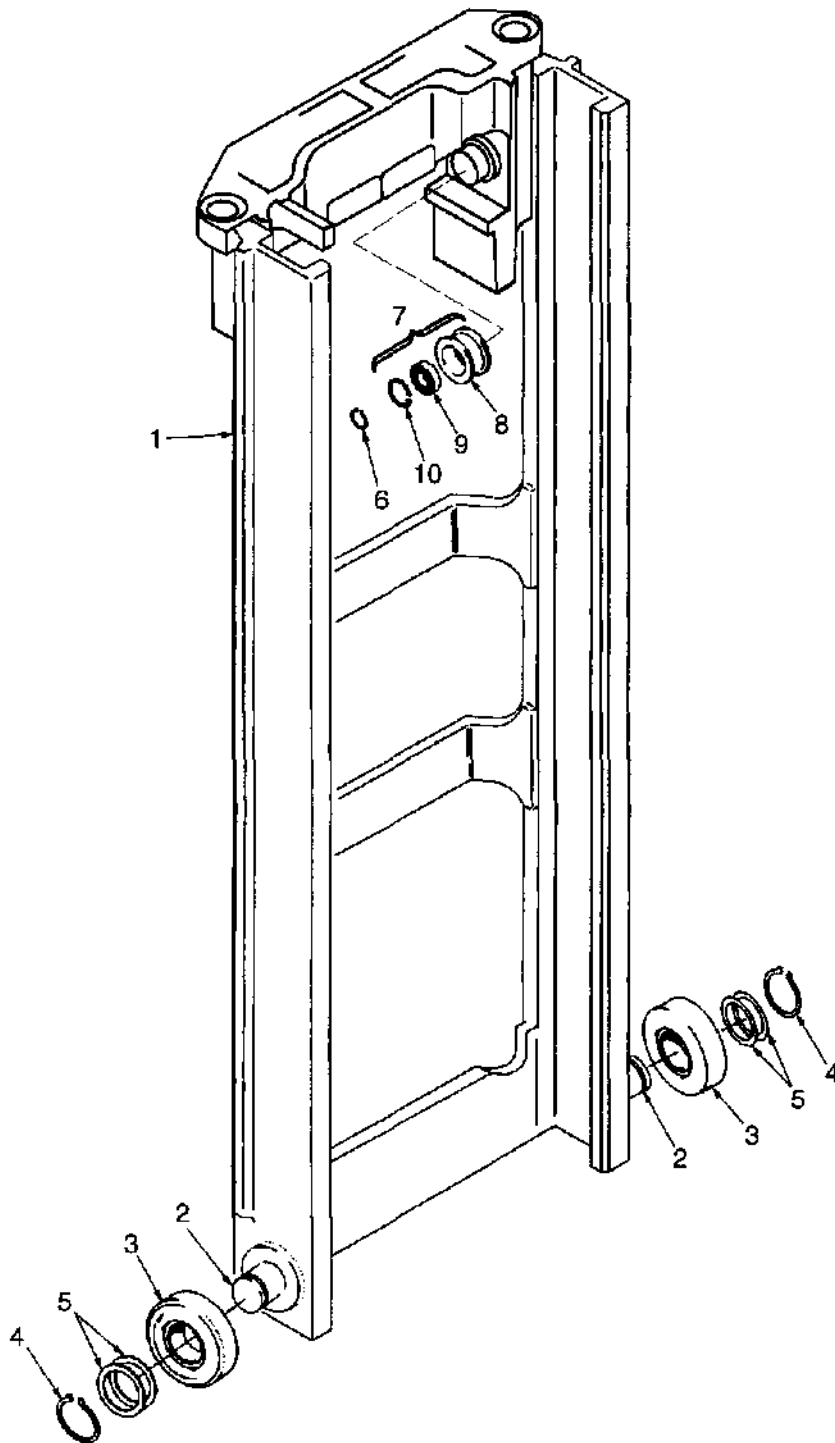
| ITEM | DESCRIPTION       | LIFT HEIGHT TO BOTTOM OF FORKS |         |         |
|------|-------------------|--------------------------------|---------|---------|
|      |                   | 4410 mm                        | 4710 mm | 5460 mm |
|      | 1 2 3 4           |                                |         |         |
|      | Mast              | B555                           | B555    | B555    |
|      | Group Number      | 4410                           | 4710    | 5460    |
| 1    | Intermediate Mast | 1353006                        | 1353008 | 1353013 |

| ITEM | PART NO.    | DESCRIPTION                 | QTY |
|------|-------------|-----------------------------|-----|
| 1    | a . . . . . | Intermediate Mast.....      | 1   |
| 2    | 1345216     | Stubshaft.....              | 4   |
| 3    | 215212      | Bearing Strip.....          | 2   |
| 4    | 131716      | Shim (0,508 mm).....        | 4   |
| 5    | 104506      | O-Ring.....                 | 4   |
| 6    | 1333399     | Load Roller (Standard)..... | 2   |
| 7    | 58901       | Snap Ring.....              | 4   |
| 8    | 129387      | Shim (0,508 mm).....        | AR  |
| 9    | 1379685     | Chain Sheave Assembly.....  | 2   |
| 10   | 1378698     | Chain Sheave.....           | 1   |
| 11   | 1378699     | Bearing.....                | 1   |
| 12   | 37752       | Snap Ring.....              | 1   |

**FOOTNOTES:**

a Refer to Table

## INNER MAST (Figure 12-3) THREE STAGE FULL FREE-LIFT



BP170156

**INNER MAST  
THREE STAGE FULL FREE-LIFT**

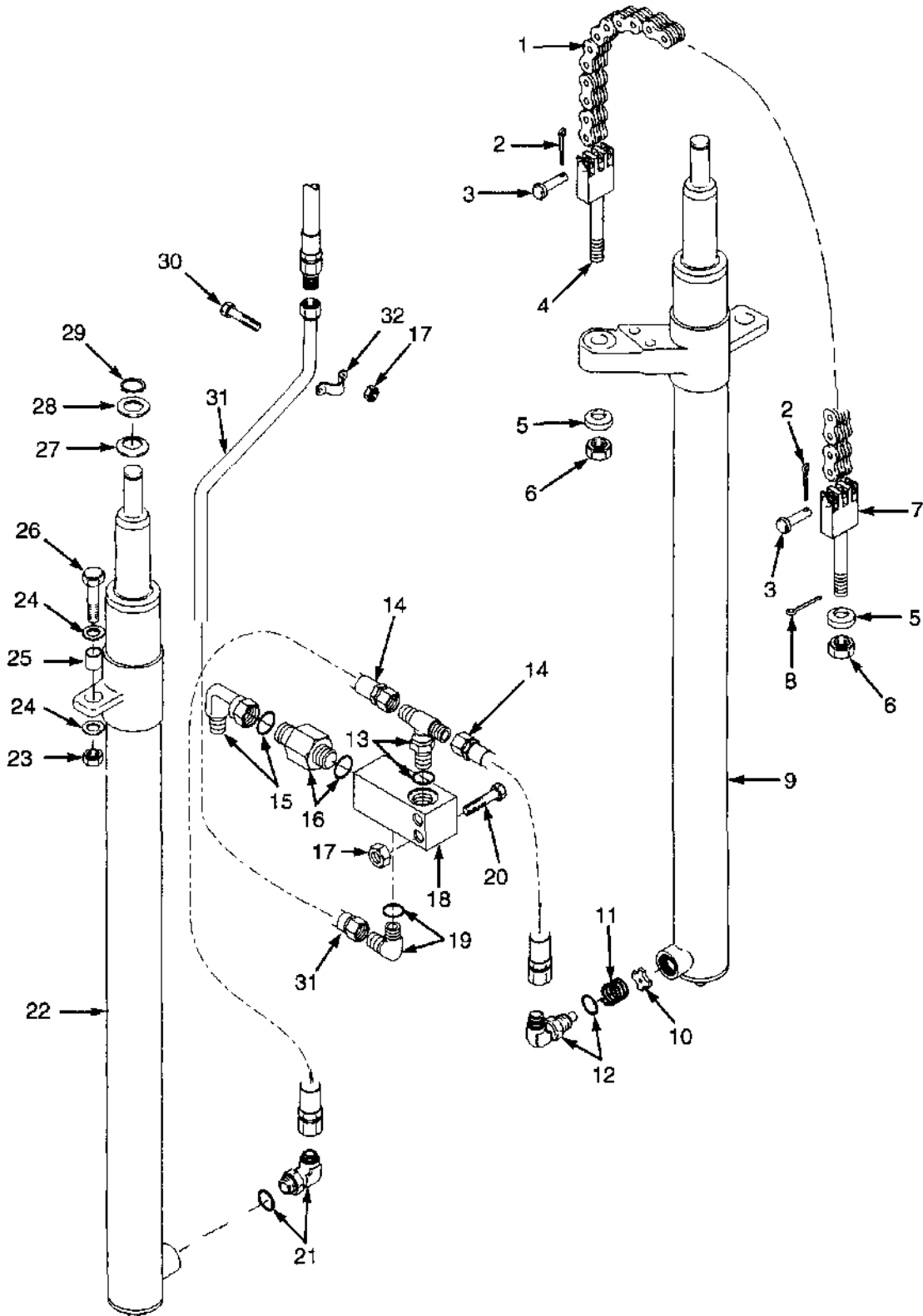
| ITEM | DESCRIPTION | LIFT HEIGHT TO BOTTOM OF FORKS |              |              |              |
|------|-------------|--------------------------------|--------------|--------------|--------------|
|      |             | 1 2 3 4                        | 4410 mm      | 4710 mm      | 5460 mm      |
|      |             | Mast<br>Group Number           | B555<br>4410 | B555<br>4710 | B555<br>5460 |
| 1    | Inner Mast  |                                | 1481806      | 1481808      | 1481813      |

| ITEM | PART NO.           | DESCRIPTION                | QTY |
|------|--------------------|----------------------------|-----|
| 1    | <b>a</b> . . . . . | Inner Mast.....            | 1   |
| 2    | 1345216            | Stubshaft.....             | 2   |
| 3    | 1333399            | Load Roller.....           | 2   |
| 4    | 58901              | Snap Ring.....             | 2   |
| 5    | 129387             | Shim (0,508 mm).....       | AR  |
| 6    | 131358             | Snap Ring.....             | 2   |
| 7    | 1379685            | Chain Sheave Assembly..... | 2   |
| 8    | 1378698            | Chain Sheave.....          | 1   |
| 9    | 1378699            | Bearing.....               | 1   |
| 10   | 37752              | Snap Ring.....             | 1   |

**FOOTNOTES:**

**a** Refer to Table

## MAIN LIFT (Figure 12-4) THREE STAGE FULL FREE-LIFT



BP170162

**MAIN LIFT  
THREE STAGE FULL FREE-LIFT**

| ITEM              | DESCRIPTION | LIFT HEIGHT TO BOTTOM OF FORKS |              |              |   |         |  |
|-------------------|-------------|--------------------------------|--------------|--------------|---|---------|--|
|                   |             | 1                              | 2            | 3            | 4 |         |  |
|                   |             | 4410 mm                        |              | 4710 mm      |   | 5460 mm |  |
| Mast Group Number |             | B555<br>4410                   | B555<br>4710 | B555<br>5460 |   |         |  |
| 1                 | Chain       | 164474                         |              | 88441        |   | 177352  |  |

| ITEM | PART NO. | DESCRIPTION                                   | QTY |
|------|----------|---|-----|
| 1    | a        | Chain .....                                   | 2   |
| 2    | 15211    | Cotter Pin.....                               | 4   |
| 3    | 1514866  | Pin .....                                     | 4   |
| 4    | 1369357  | Chain Anchor.....                             | 2   |
| 5    | 297649   | Base Ring .....                               | 4   |
| 6    | 161003   | Nut.....                                      | 4   |
| 7    | 1365140  | Chain Anchor.....                             | 2   |
| 8    | 15223    | Cotter Pin.....                               | 2   |
| 9    |          | Main Lift Cylinder (LH) (☞ Figure 12-6) ..... | 1   |
| 10   | 323160   | Washer .....                                  | 1   |
| 11   | 120938   | Spring .....                                  | 1   |
| 12   | 1481344  | Fitting.....                                  | 1   |
| 12   | 16485    | O-Ring.....                                   | 1   |
| 12   | 252729   | O-Ring.....                                   | 1   |
| 13   | 252729   | O-Ring.....                                   | 1   |
| 13   | 1532650  | Fitting.....                                  | 1   |
| 13   | 16485    | O-Ring.....                                   | 1   |
| 14   | 1481097  | Hose .....                                    | 2   |
| 15   | 1486773  | Fitting.....                                  | 1   |
| 15   | 252729   | O-Ring .....                                  | 1   |
| 16   | 1481348  | Control Valve .....                           | 1   |
| 17   | 313828   | Nut.....                                      | 4   |
| 18   | 1333392  | Housing .....                                 | 1   |
| 19   | 1473898  | Fitting.....                                  | 1   |
| 19   | 16486    | O-Ring.....                                   | 1   |
| 20   | 292509   | Capscrew.....                                 | 2   |
| 21   | 1487067  | Fitting.....                                  | 1   |
| 21   | 16485    | O-Ring.....                                   | 1   |
| 21   | 252729   | O-Ring.....                                   | 1   |
| 22   |          | Main Lift Cylinder (RH) (☞ Figure 12-5) ..... | 1   |
| 23   | 1581849  | Nut.....                                      | 2   |
| 24   | 1581852  | Washer .....                                  | 4   |
| 25   | 323090   | Spacer .....                                  | 2   |
| 26   | 1581829  | Capscrew.....                                 | 2   |
| 27   | 1354915  | Washer (0.010 in.) .....                      | AR  |
| 27   | 1354917  | Washer (0.060 in.) .....                      | AR  |
| 27   | 1354916  | Washer (0.030 in.) .....                      | AR  |
| 28   | 1333382  | Washer (1.50 mm) .....                        | 2   |
| 29   | 131358   | Snap Ring.....                                | 3   |
| 30   | 1581580  | Capscrew.....                                 | 4   |

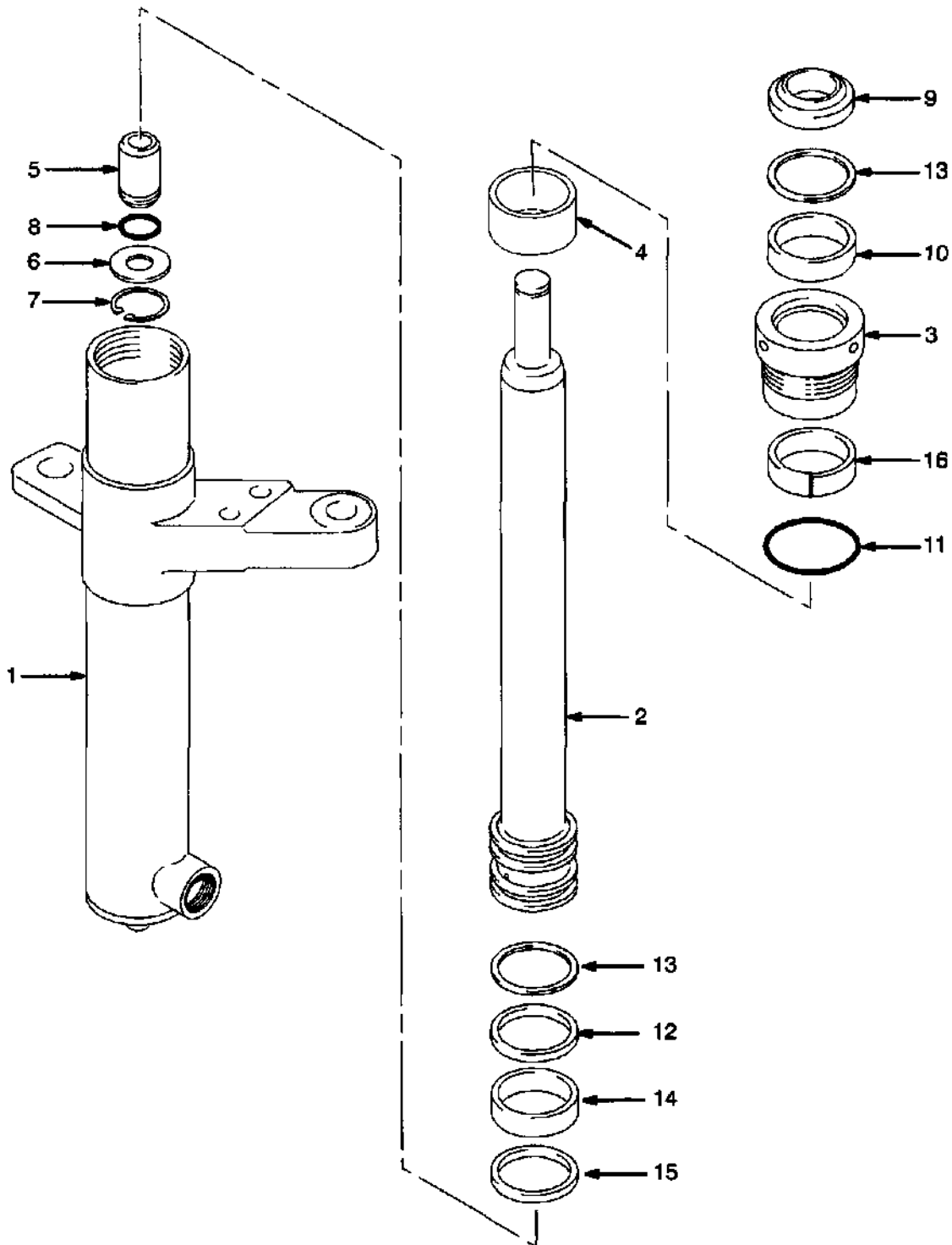
## MAIN LIFT THREE STAGE FULL FREE-LIFT

| ITEM | PART NO. | DESCRIPTION | QTY |
|------|----------|-------------|-----|
| 31   | 2075629  | Tube .....  | 1   |
| 32   | 1363251  | Clamp ..... | 1   |

**FOOTNOTES:**

a Refer to Table

## MAIN LIFT CYLINDER (Figure 12-5) RIGHT HAND THREE STAGE FULL FREE-LIFT



HP171226

**MAIN LIFT CYLINDER  
RIGHT HAND  
THREE STAGE FULL FREE-LIFT**

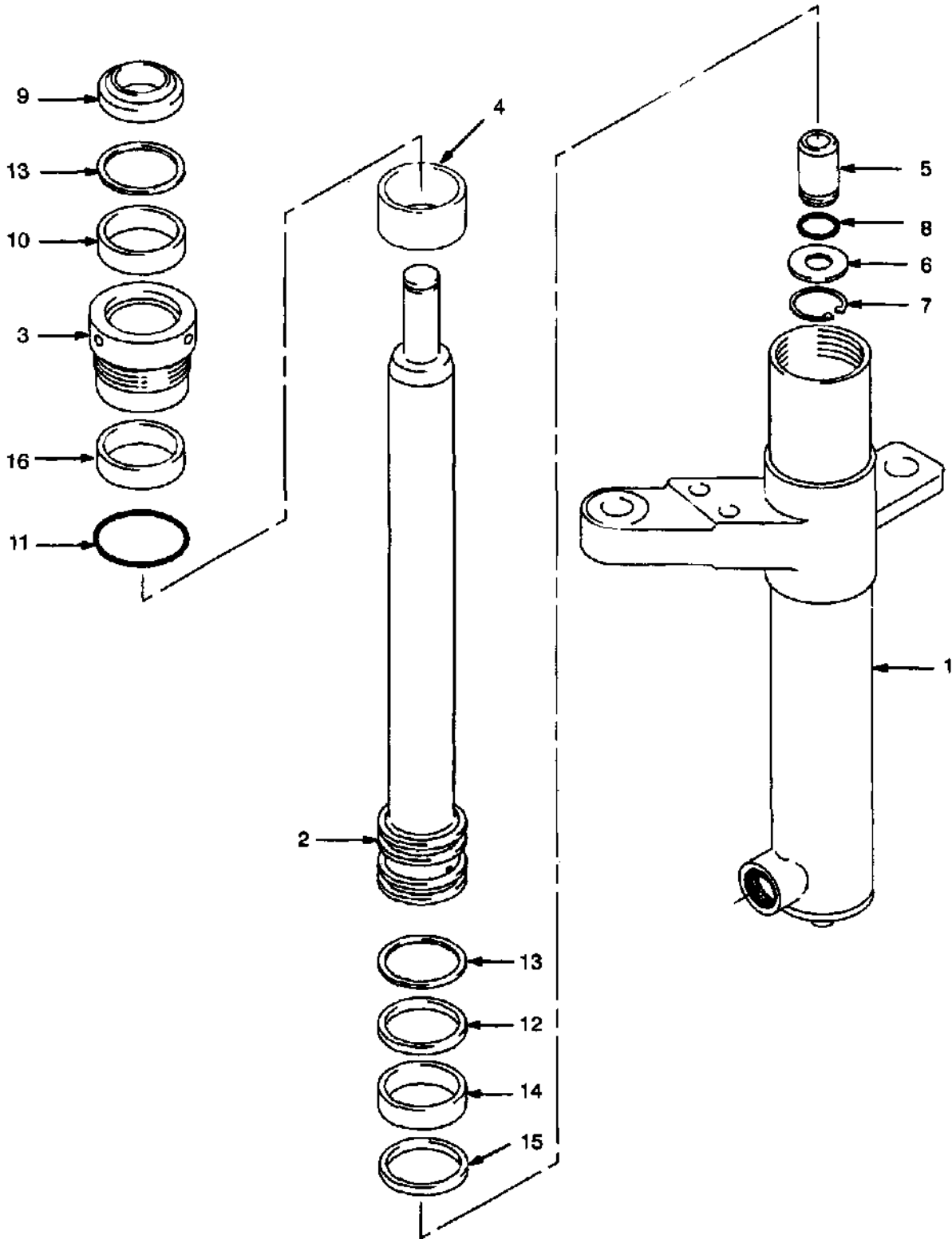
| ITEM | DESCRIPTION                      | LIFT HEIGHT TO BOTTOM OF FORKS |                      |                      |
|------|----------------------------------|--------------------------------|----------------------|----------------------|
|      |                                  | 4410 mm                        | 4710 mm              | 5460 mm              |
|      | 1 2 3 4                          |                                |                      |                      |
|      | <b>Mast<br/>Group Number</b>     | <b>B555<br/>4410</b>           | <b>B555<br/>4710</b> | <b>B555<br/>5460</b> |
|      | <b>Cylinder<br/>Group Number</b> | <b>8601756</b>                 | <b>8601758</b>       | <b>8601763</b>       |
|      | Main Lift Cylinder               | 1362706                        | 1362719              | 1362749              |
| 1    | Shell                            | 1362713                        | 1362726              | 1362756              |
| 2    | Rod                              | 1362704                        | 1362717              | 1362746              |
| 4    | Spacer                           | ---                            | ---                  | 1355610              |

| ITEM | PART NO. | DESCRIPTION                          | QTY |
|------|----------|--------------------------------------|-----|
|      | a        | Main Lift Cylinder .....             | 1   |
| 1    | a        | Shell .....                          | 1   |
| 2    | a        | Rod .....                            | 1   |
| 3    | 1371653  | Gland .....                          | 1   |
| 4    | a        | Spacer .....                         | 1   |
| 5    | 257913   | Check Valve .....                    | 1   |
| 6    | 297531   | Washer .....                         | 1   |
| 7    | 187388   | Snap Ring .....                      | 1   |
| 8    | 190580   | O-Ring .....                         | 1   |
| 9    | 1319668  | Wiper Ring .....                     | 1   |
| 10   | 1381095  | Rod Seal .....                       | 1   |
| 11   | 55407    | O-Ring .....                         | 1   |
| 12   | 330692   | Seal .....                           | 1   |
| 13   | 322824   | Back-Up Ring .....                   | 2   |
| 14   | 1362871  | Wear Ring .....                      | 1   |
| 15   | 1362875  | Piston Ring .....                    | 1   |
| 16   | 322902   | Wear Ring .....                      | 1   |
|      | 1360139  | Seal Kit (Includes Items 8-16) ..... | 1   |

**FOOTNOTES:**

a Refer to Table

## MAIN LIFT CYLINDER (Figure 12-6) LEFT HAND THREE STAGE FULL FREE-LIFT



HP171225

**MAIN LIFT CYLINDER  
LEFT HAND  
THREE STAGE FULL FREE-LIFT**

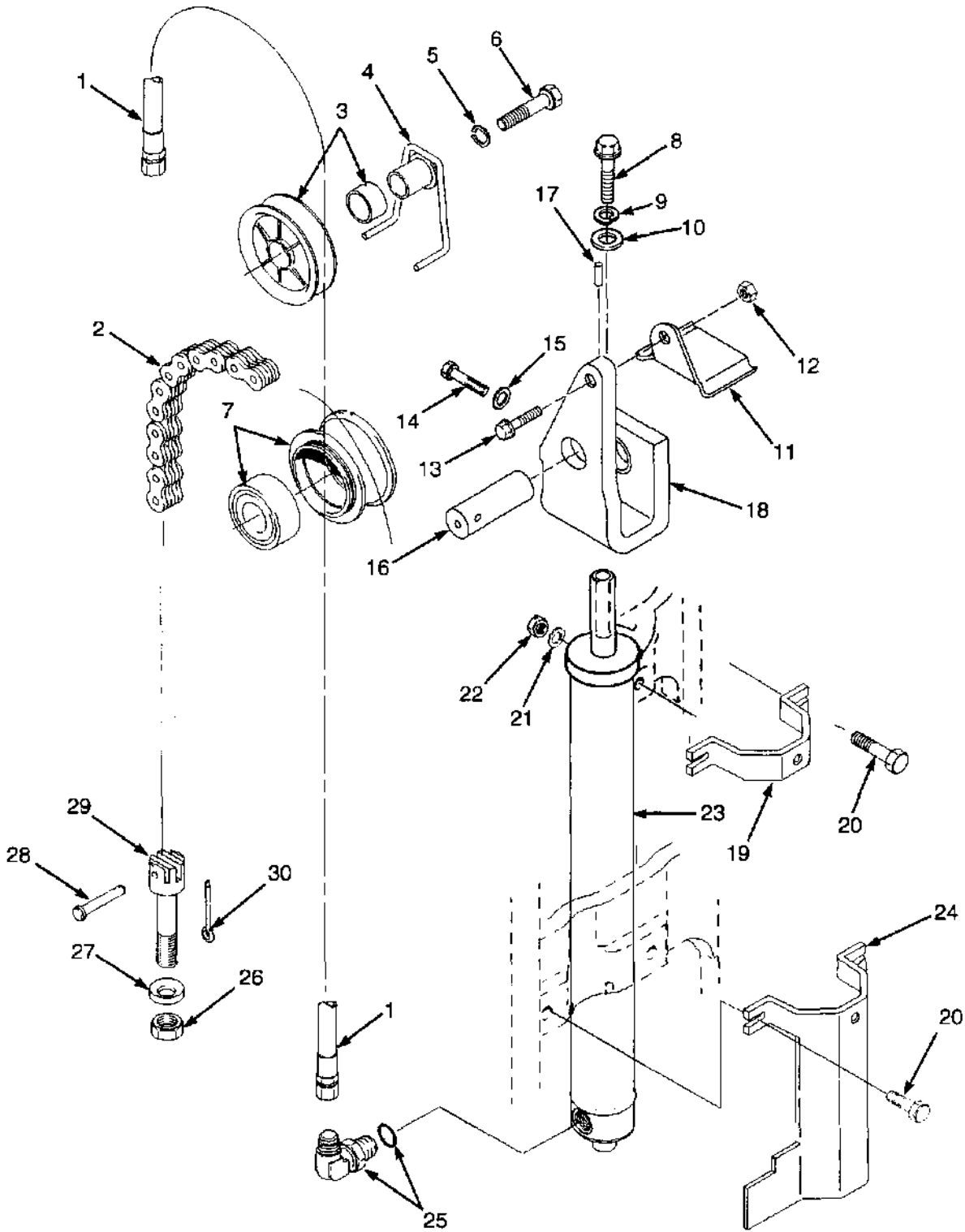
| ITEM | DESCRIPTION           | LIFT HEIGHT TO BOTTOM OF FORKS |              |              |
|------|-----------------------|--------------------------------|--------------|--------------|
|      |                       | 4410 mm                        | 4710 mm      | 5460 mm      |
|      | 1 2 3 4               |                                |              |              |
|      | Mast Group Number     | B555<br>4410                   | B555<br>4710 | B555<br>5460 |
|      | Cylinder Group Number | 8601706                        | 8601708      | 8601713      |
|      | Main Lift Cylinder    | 1362702                        | 1362715      | 1362745      |
| 1    | Shell                 | 1362703                        | 1362716      | 1366057      |
| 2    | Rod                   | 1362704                        | 1362717      | 1362746      |
| 4    | Spacer                | ---                            | ---          | 1355610      |

| ITEM | PART NO. | DESCRIPTION                         | QTY |
|------|----------|-------------------------------------|-----|
|      | a        | Main Lift Cylinder.....             | 1   |
| 1    | a        | Shell.....                          | 1   |
| 2    | a        | Rod.....                            | 1   |
| 3    | 1371653  | Gland.....                          | 1   |
| 4    | a        | Spacer.....                         | 1   |
| 5    | 257913   | Check Valve.....                    | 1   |
| 6    | 297531   | Washer.....                         | 1   |
| 7    | 187388   | Snap Ring.....                      | 1   |
| 8    | 190580   | O-Ring.....                         | 1   |
| 9    | 1319668  | Wiper Ring.....                     | 1   |
| 10   | 1381095  | Rod Seal.....                       | 1   |
| 11   | 55407    | O-Ring.....                         | 1   |
| 12   | 330692   | Seal.....                           | 1   |
| 13   | 322824   | Back-Up Ring.....                   | 2   |
| 14   | 1362871  | Wear Ring.....                      | 1   |
| 15   | 1362875  | Piston Ring.....                    | 1   |
| 16   | 322902   | Wear Ring.....                      | 1   |
|      | 1360139  | Seal Kit (Includes Items 8-16)..... | 1   |

**FOOTNOTES:**

a Refer to Table

## FREE-LIFT (Figure 12-7) THREE STAGE FULL FREE-LIFT



BP170163

**FREE-LIFT  
THREE STAGE FULL FREE-LIFT**

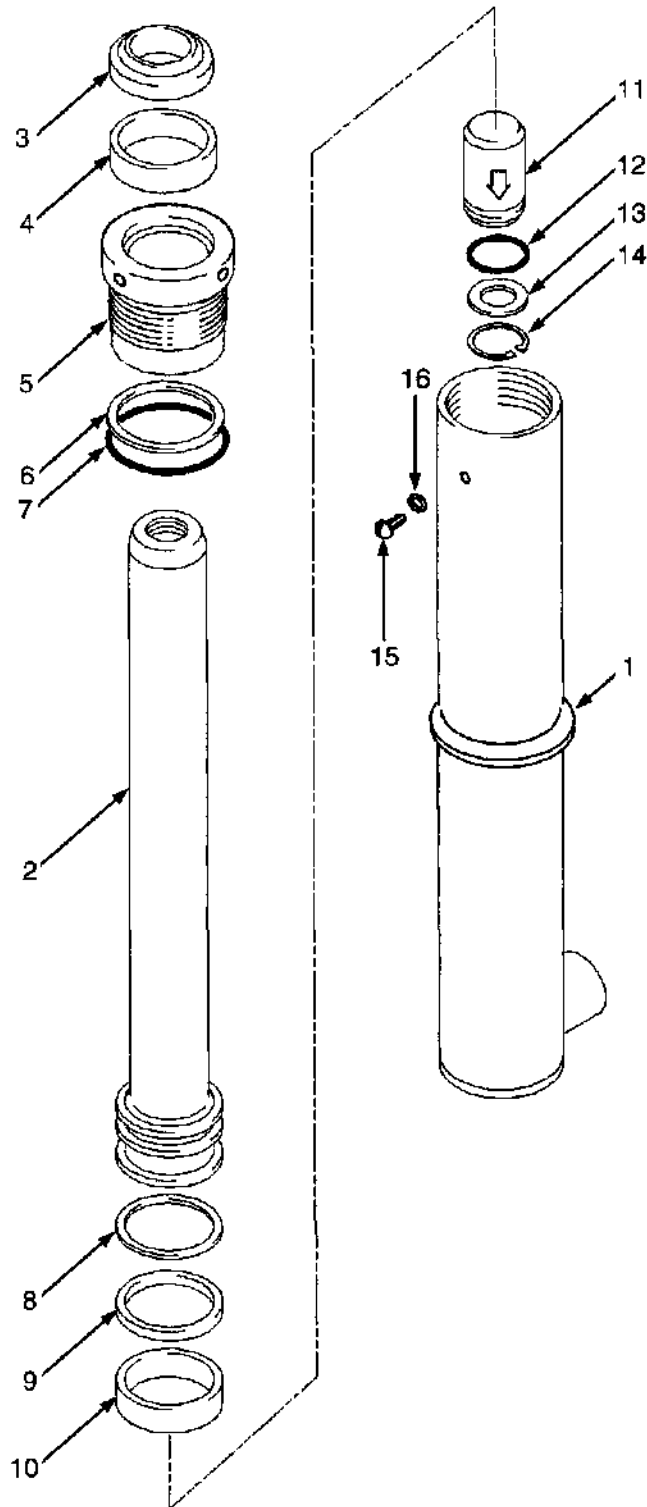
| ITEM | DESCRIPTION<br>1 2 3 4<br>Mast<br>Group Number | LIFT HEIGHT TO BOTTOM OF FORKS |              |              |
|------|--|--------------------------------|--------------|--------------|
|      |  | 4410 mm                        | 4710 mm      | 5460 mm      |
|      |  | B555<br>4410                   | B555<br>4710 | B555<br>5460 |
| 1    | Hose   | 1481681                        | 1481683      | 1481688      |
| 2    | Chain  | 1550126                        | 1550128      | 1550135      |

| ITEM | PART NO. | DESCRIPTION                          | QTY |
|------|----------|--------------------------------------|-----|
| 1    | a        | Hose                                 | 1   |
| 2    | a        | Chain                                | 1   |
| 3    | 1343989  | Hose Sheave                          | 1   |
| 3    | 1354901  | Bushing                              | 1   |
| 4    | 1360534  | Stubshaft                            | 1   |
| 5    | 1581564  | Lockwasher                           | 1   |
| 6    | 1581829  | Capscrew                             | 1   |
| 7    | 1481054  | Chain Sheave Assembly                | 1   |
| 7    | 1378699  | Bearing                              | 2   |
| 8    | 1596406  | Capscrew                             | 1   |
| 9    | 1596407  | Lockwasher                           | 1   |
| 10   | 1596408  | Washer                               | 1   |
| 11   | 1481055  | Chain Guard                          | 1   |
| 12   | 1581849  | Nut                                  | 1   |
| 13   | 1581591  | Capscrew                             | 1   |
| 14   | 1481230  | Capscrew                             | 1   |
| 15   | 1581562  | Washer                               | 1   |
| 16   | 1481052  | Crosshead Pin                        | 1   |
| 17   | 310549   | Pin                                  | 1   |
| 18   | 1481009  | Crosshead                            | 1   |
| 19   | 1489972  | Bracket                              | 1   |
| 20   | 1596404  | Capscrew                             | 4   |
| 21   | 1581852  | Washer                               | 4   |
| 22   | 1581849  | Nut                                  | 4   |
| 23   |          | Free-Lift Cylinder (See Figure 12-8) | 1   |
| 24   | 1573677  | Bracket                              | 1   |
| 25   | 1481346  | Flow Valve                           | 1   |
| 26   | 182377   | Nut                                  | 1   |
| 27   | 182376   | Base Ring                            | 1   |
| 28   | 1514866  | Pin                                  | 1   |
| 29   | 1605676  | Chain Anchor                         | 1   |
| 30   | 15211    | Cotter Pin                           | 1   |

**FOOTNOTES:**

a Refer to Table

## FREE-LIFT CYLINDER (Figure 12-8) THREE STAGE FULL FREE-LIFT



BP170160

**FREE-LIFT CYLINDER  
THREE STAGE FULL FREE-LIFT**

| ITEM | DESCRIPTION<br>1 2 3 4   | LIFT HEIGHT TO BOTTOM OF FORKS |              |              |
|------|--------------------------|--------------------------------|--------------|--------------|
|      |                          | 4410 mm                        | 4710 mm      | 5450 mm      |
|      |                          | Mast<br>Group Number           | B555<br>4410 | B555<br>4710 |
|      | Cylinder<br>Group Number | 8500306                        | 8500308      | 8500314      |
|      | Free-Lift Cylinder       | 2068198                        | 2068200      | 2068206      |
| 1    | Shell                    | 1362922                        | 1362924      | 1362930      |
| 2    | Rod Assembly             | 2068158                        | 2068160      | 2068166      |

| ITEM | PART NO. | DESCRIPTION                                 | QTY |
|------|----------|---|-----|
|      | a        | Free-Lift Cylinder                          | 1   |
| 1    | a        | Shell                                       | 1   |
| 2    | a        | Rod Assembly                                | 1   |
| 3    | 2013099  | Wiper Ring                                  | 1   |
| 4    | 1358970  | Seal  | 1   |
| 5    | 1362880  | Gland                                       | 1   |
| 6    | 615135   | Back-Up Ring                                | 1   |
| 7    | 55146    | O-Ring                                      | 1   |
| 8    | 638250   | Back-Up Ring                                | 1   |
| 9    | 201829   | Rod Seal                                    | 1   |
| 10   | 1362881  | Wear Ring                                   | 1   |
| 11   | 257913   | Check Valve                                 | 1   |
| 12   | 39348    | O-Ring                                      | 1   |
| 13   | 297531   | Washer                                      | 1   |
| 14   | 187388   | Snap Ring                                   | 1   |
| 15   | 1361302  | Screw                                       | 1   |
| 16   | 190887   | Seal  | 1   |
|      | 1360141  | Seal Kit (Includes Items 3-4, 6-10, 12, 16) | 1   |

**FOOTNOTES:**

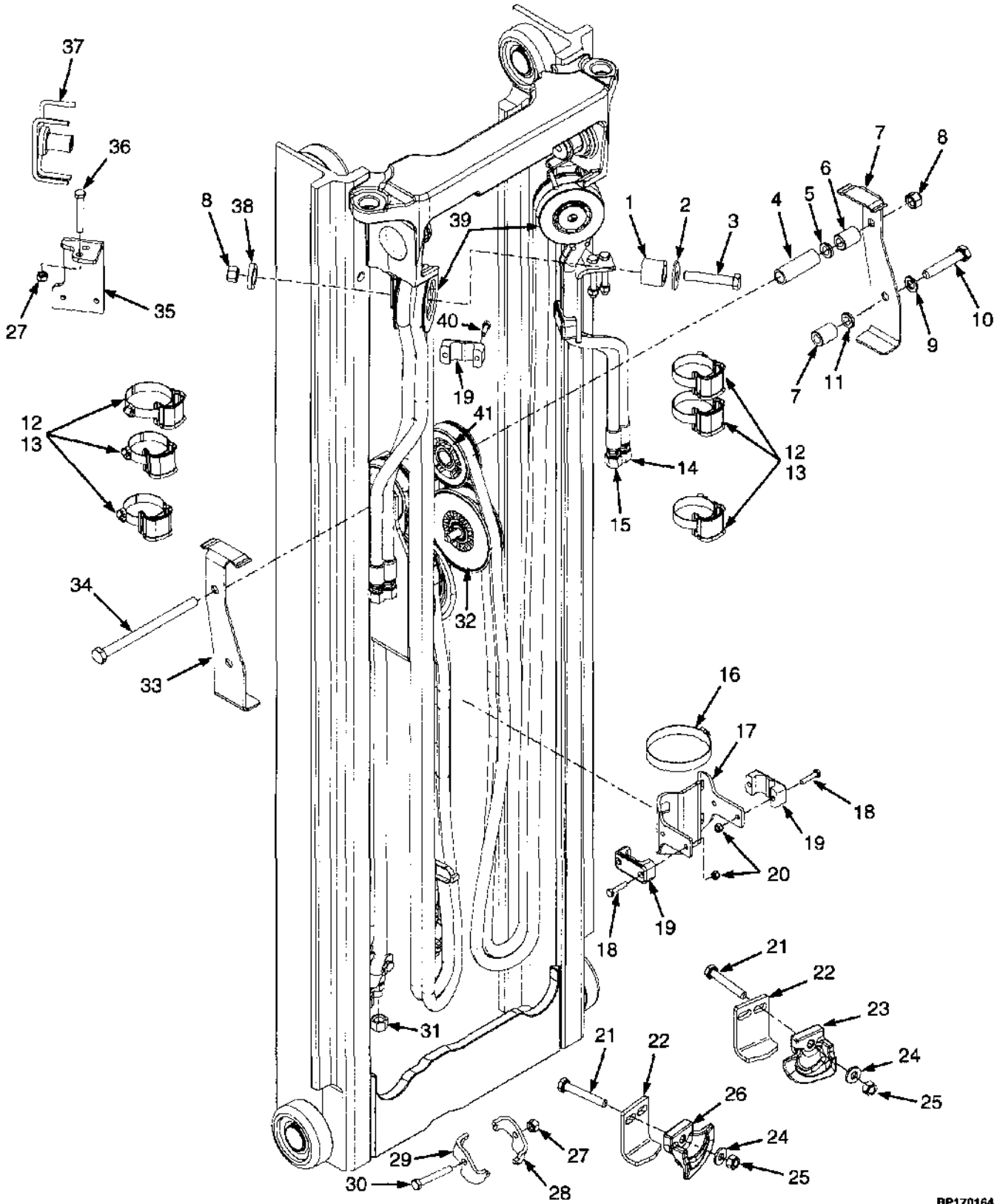
a Refer to Table



**CARRIAGE  
THREE STAGE FULL FREE-LIFT**

| ITEM | PART NO. | DESCRIPTION             | QTY |
|------|----------|-------------------------|-----|
|      | 1481767  | Carriage Assembly ..... | 1   |
| 1    | 1481342  | Frame .....             | 1   |
| 2    | 1345216  | Stubshaft.....          | 6   |
| 3    | 58901    | Snap Ring.....          | 6   |
| 4    | 129387   | Shim (0,508 mm).....    | AR  |
| 5    | 366115   | Spacer .....            | 2   |
| 6    | 1363272  | Load Roller .....       | 6   |
| 7    | 1549685  | Chain Anchor.....       | 1   |
| 8    | 185597   | Chain Anchor Pin .....  | 1   |
| 9    | 131358   | Snap Ring.....          | 2   |
| 10   | 1340687  | Pin .....               | 1   |
| 11   | 15211    | Cotter Pin .....        | 1   |

## HEADER HOSE (Figure 12-10) THREE STAGE FULL FREE-LIFT



BP170164

**HEADER HOSE  
THREE STAGE FULL FREE-LIFT**

| ITEM | DESCRIPTION<br>1 2 3 4 | LIFT HEIGHT TO BOTTOM OF FORKS |              |              |
|------|------------------------|--------------------------------|--------------|--------------|
|      |                        | 4410 mm                        | 4710 mm      | 5460 mm      |
|      |                        | Mast<br>Group Number           | B555<br>4410 | B555<br>4710 |
| 14   | Hose                   | 2073563                        | 2073565      | 2073573      |
| 15   | Hose                   | 1481845                        | 1481847      | 1481852      |

**KEY:****A: Three Function****B: Four Function**

| ITEM | PART NO. | DESCRIPTION        | QTY |   |
|------|----------|--------------------|-----|---|
|      |          |                    | A   | B |
| 1    | 1360549  | Spacer .....       | 1   | 2 |
| 2    | 1345190  | Washer .....       | 1   | 2 |
| 3    | 292533   | Capscrew .....     | 2   | 2 |
| 4    | 1550020  | Spacer .....       | ..  | 1 |
| 5    | 320162   | Washer .....       | ..  | 1 |
| 6    | 1481255  | Stub Shaft .....   | 1   | 2 |
| 7    | 1481253  | Bracket (RH) ..... | 1   | 1 |
| 8    | 300937   | Locknut .....      | 2   | 4 |
| 9    | 292683   | Lockwasher .....   | 1   | 2 |
| 10   | 292531   | Capscrew .....     | 1   | 2 |
| 11   | 320171   | Washer .....       | 2   | 4 |
| 12   | 1477996  | Clamp .....        | 3   | 6 |
| 13   | 1481229  | Clamp .....        | 3   | 6 |
| 14   | a .....  | Hose .....         | 1   | 2 |
| 15   | a .....  | Hose .....         | 1   | 2 |
| 16   | 1360507  | Clamp .....        | 2   | 2 |
| 17   | 1481254  | Bracket (LH) ..... | 1   | 1 |
| 18   | 292502   | Capscrew .....     | 2   | 4 |
| 19   | 1360386  | Clamp .....        | 2   | 4 |
| 20   | 313805   | Nut .....          | 2   | 4 |
| 21   | 292521   | Capscrew .....     | 1   | 2 |
| 22   | 1363253  | Bracket .....      | 1   | 2 |
| 23   | 1348247  | Hose Guide .....   | 1   | 1 |
| 24   | 320160   | Washer .....       | 2   | 4 |
| 25   | 316826   | Nut .....          | 1   | 2 |
| 26   | 1348246  | Hose Guide .....   | ..  | 1 |
| 27   | 313828   | Nut .....          | 3   | 6 |
| 28   | 1481765  | Clamp .....        | 1   | 1 |
| 29   | 1481766  | Clamp .....        | ..  | 1 |
| 30   | 292508   | Capscrew .....     | 1   | 2 |
| 31   | 1529015  | Cap .....          | 2   | 4 |
| 32   | 1481249  | Hose Sheave .....  | 1   | 2 |
| 32   | 1353521  | Bushing .....      | 1   | 1 |
| 33   | 1481252  | Bracket (LH) ..... | ..  | 1 |
| 34   | 2073791  | Capscrew .....     | ..  | 1 |
| 35   | 1381598  | Bracket .....      | 1   | 1 |
| 35   | 1381599  | Bracket .....      | ..  | 1 |

## HEADER HOSE THREE STAGE FULL FREE-LIFT

| ITEM | PART NO. | DESCRIPTION      | QTY |   |
|------|----------|------------------|-----|---|
|      |          |                  | A   | B |
| 36   | 136704   | Capscrew.....    | 2   | 4 |
| 37   | 1381842  | Stub Shaft.....  | 1   | 1 |
| 37   | 1381841  | Stub Shaft.....  | ..  | 1 |
| 38   | 320161   | Washer.....      | 1   | 2 |
| 39   | 1494017  | Sheave.....      | 1   | 2 |
| 40   | 293795   | Capscrew.....    | 2   | 4 |
| 41   | 1481248  | Hose Sheave..... | 1   | 2 |
| 41   | 1353521  | Bushing.....     | 1   | 1 |

**FOOTNOTES:**

a Refer to Table