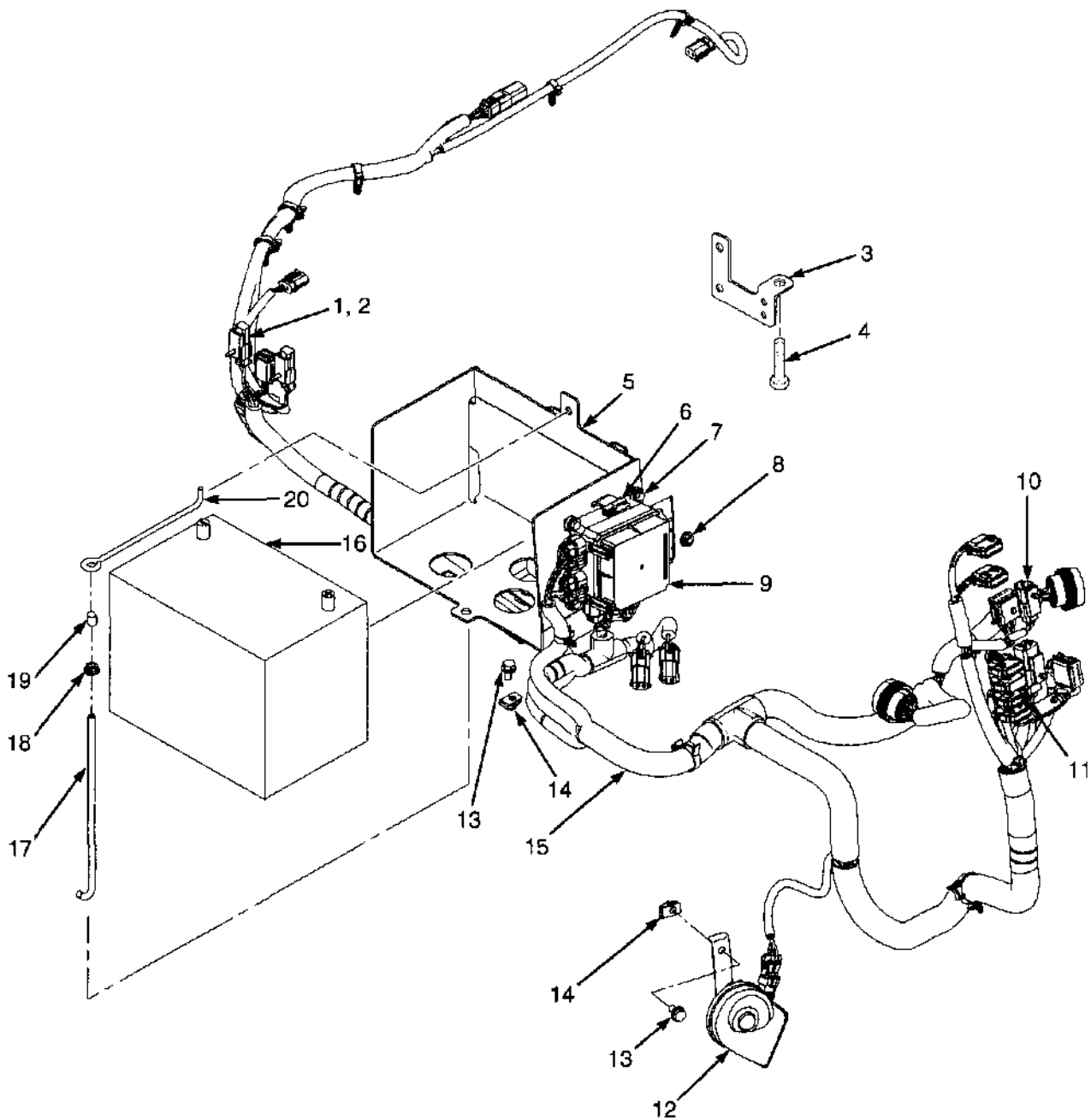


ELECTRICAL SYSTEM (Figure 4-1) CHASSIS

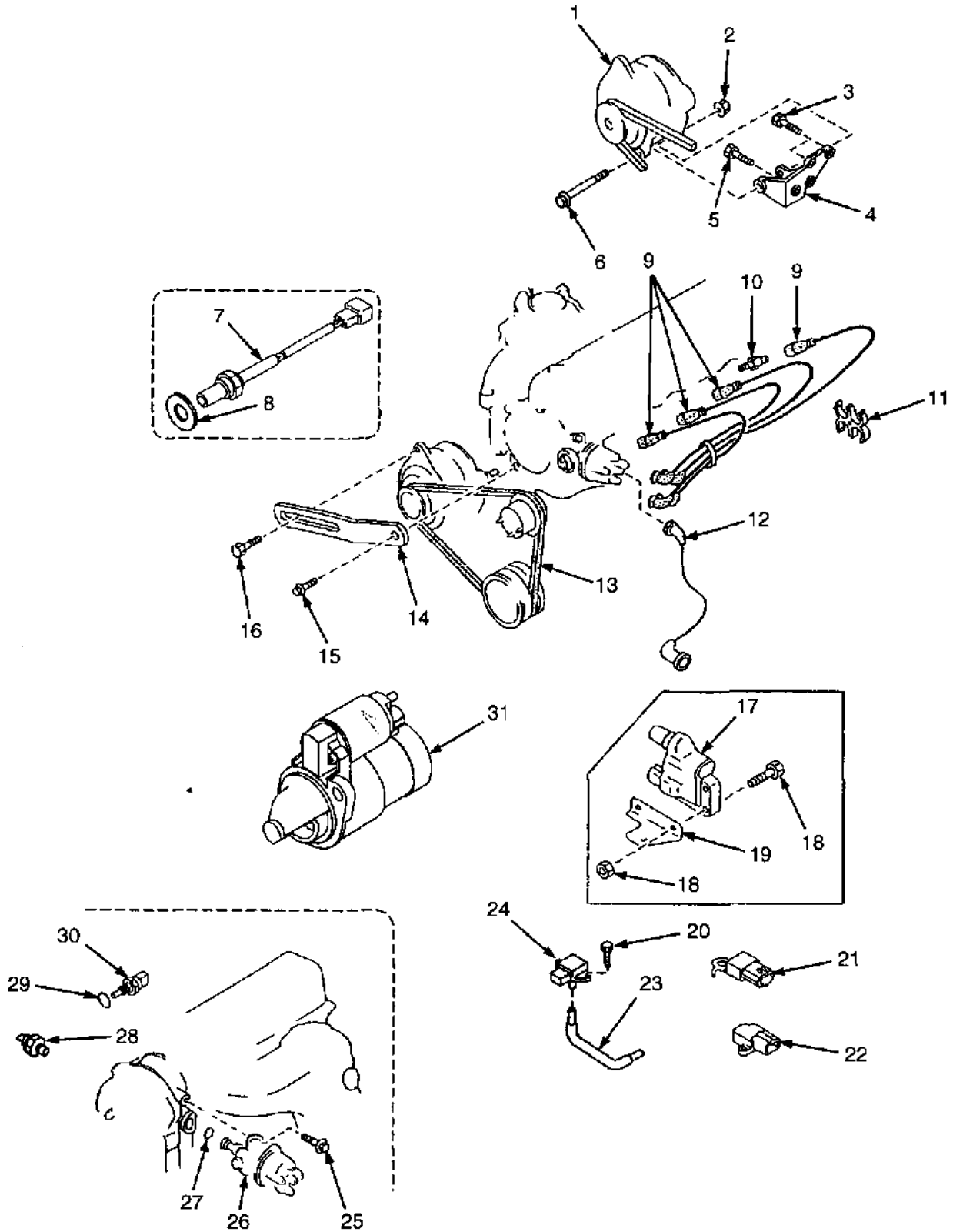


BP080325

**ELECTRICAL SYSTEM
CHASSIS**

ITEM	PART NO.	DESCRIPTION	QTY
1	1582464	Fastener.....	6
2	1582442	Clip	1
3	1585436	Bracket.....	1
4	1529366	Capscrew.....	1
5	1584944	Battery Tray.....	1
6	1402883	Fuse Puller	1
7	1534417	Capscrew.....	4
8	1502543	Nut (Flange).....	1
9	2063093	Power Distribution Module (☞ Figure 4-6)	1
9	1559928	Seal	1
10	1500912	Clip	6
11	1563909	Connector	1
12	1527264	Horn.....	1
13	1527879	Capscrew.....	4
14	1480237	Clip Nut.....	4
15	2075026	Wire Harness (RH Chassis) (Mazda 2.0L) (☞ Figure 4-14)	1
15	2074736	Wire Harness (Chassis) (Yanmar 2.6L Diesel) (☞ Figure 4-15)	1
16	1383331	Battery (Wet)	1
17	2065745	Link (Battery Hold Down).....	1
18	1502543	Nut (Flange).....	1
19	1540805	Cap	1
20	1585529	Link (Battery Hold Down).....	1

ENGINE ELECTRICAL COMPONENTS (Figure 4-2) MAZDA 2.0L

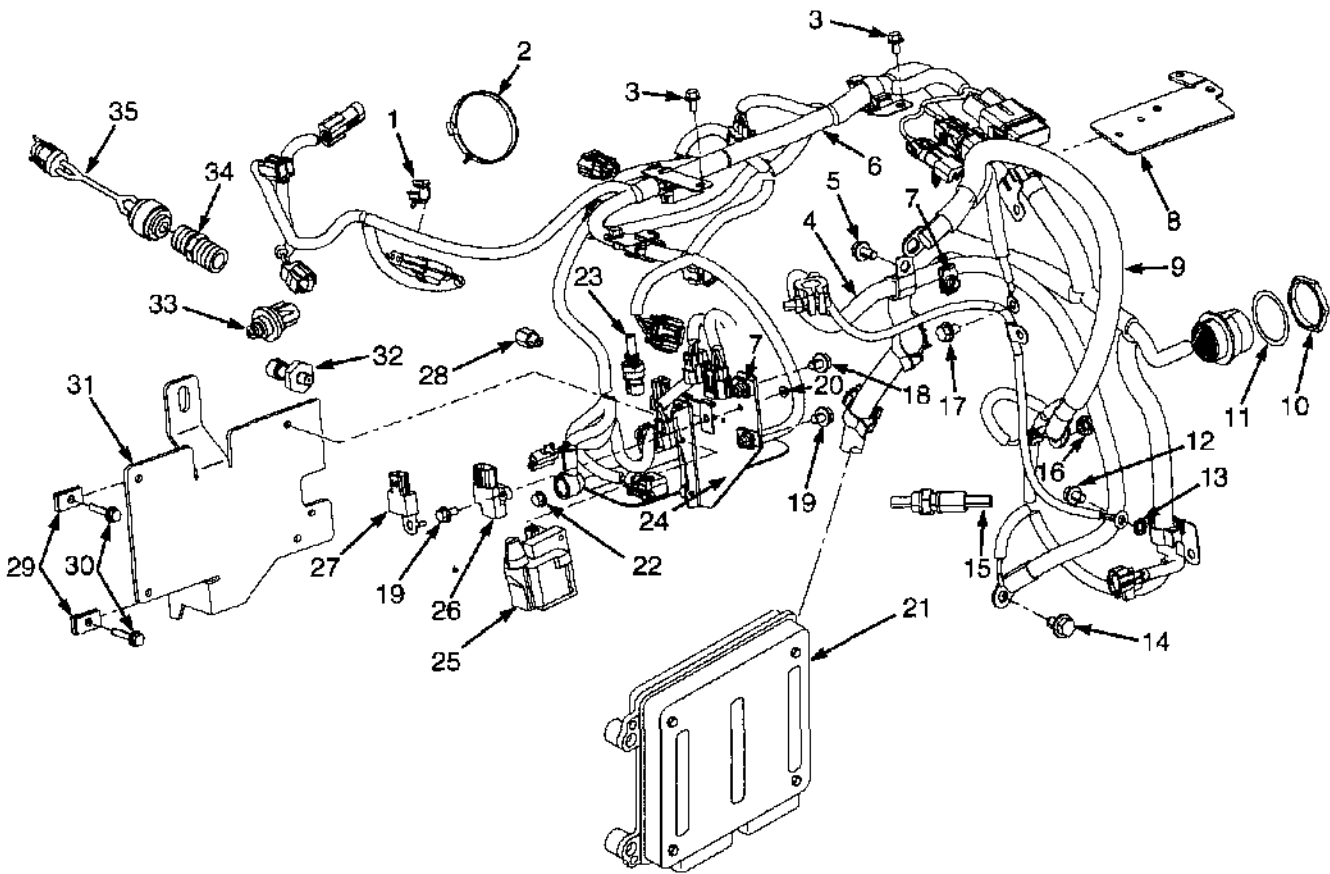


BP090100

**ENGINE ELECTRICAL COMPONENTS
MAZDA 2.0L**

ITEM	PART NO.	DESCRIPTION	QTY
1	1450928	Alternator.....	1
2	1361890	Nut.....	1
3	1361891	Bolt.....	3
4	1361846	Bracket.....	1
5	1361888	Bolt.....	1
6	1368844	Bolt.....	1
7	1556342	Sensor (Oxygen).....	1
8	1368886	Washer.....	1
9	1362113	Ignition Cable Set.....	1
9	1361840	Cable (Spark Plug).....	1
9	1361841	Cable (Spark Plug).....	1
9	1361842	Cable (Spark Plug).....	1
9	1361843	Cable (Spark Plug).....	1
10	1361837	Spark Plug.....	4
11	1361838	Support.....	1
12	1553984	Coil Wire.....	1
13	1368841	Belt.....	1
14	1361845	Strap.....	1
15	1361881	Bolt.....	1
16	326898	Bolt.....	1
17	1527571	Ignition Coil.....	1
18	1553997	Screw Set.....	1
19	1553996	Bracket.....	1
20	1582324	Screw.....	2
21	1545443	Condenser.....	1
22	1545444	Igniter.....	1
23	1495413	Hose.....	1
24	1548352	Sensor (MAP).....	1
25	1361895	Bolt.....	1
26	1554030	Distributor (See Figure 4-12).....	1
27	1553985	O-Ring.....	1
28	2026608	Oil Pressure Switch.....	1
29	1368743	Washer.....	1
30	1539962	Sensor (Air Temperature).....	1
31	1534424	Starter.....	1
	1499666	Gauge (Heat) (Not Illustrated).....	1

ENGINE ELECTRICAL SYSTEM (Figure 4-3) MAZDA 2.0L LPG

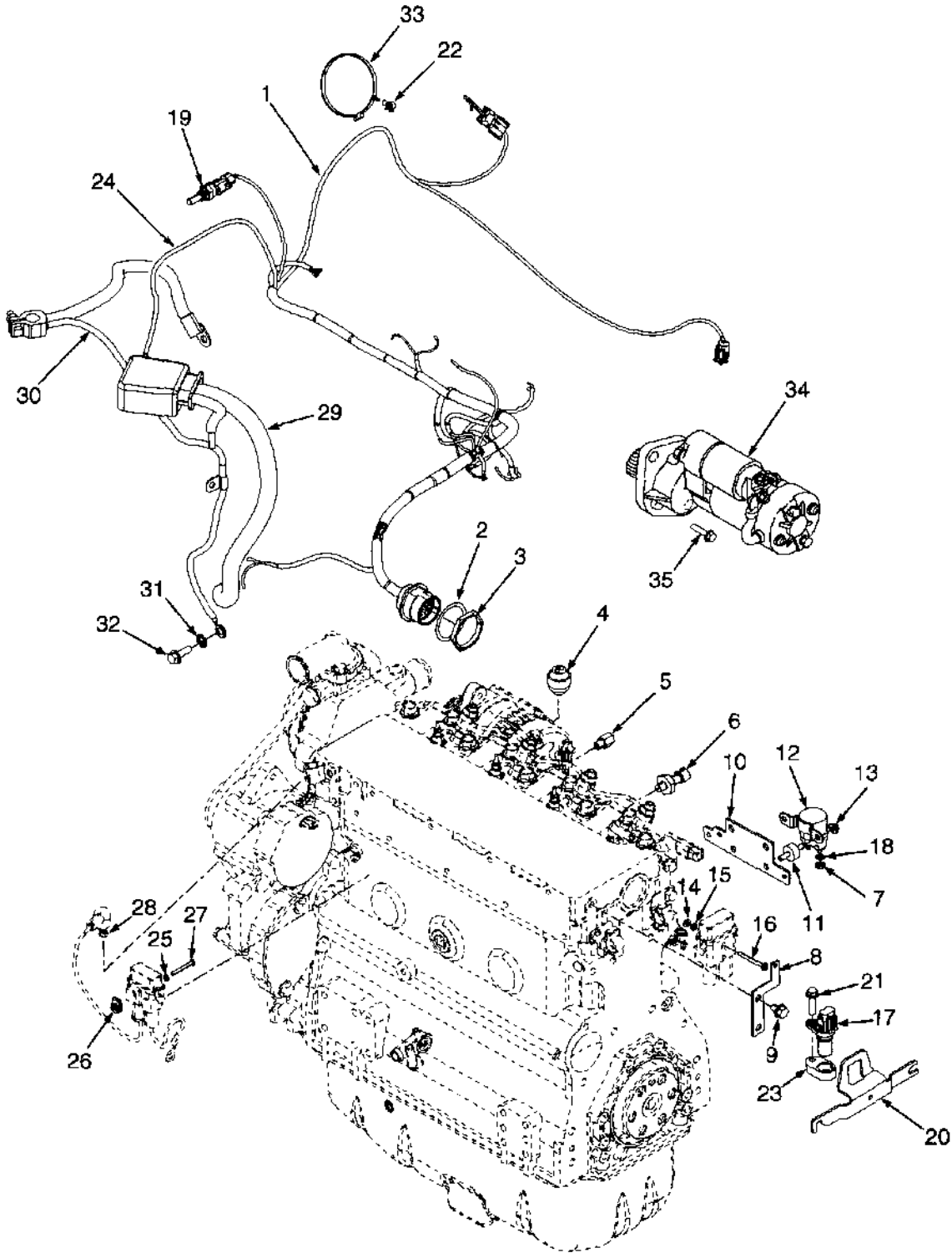


BP090204

**ENGINE ELECTRICAL SYSTEM
MAZDA 2.0L
LPG**

ITEM	PART NO.	DESCRIPTION	QTY
1	1542439	Clamp	1
2	1502061	Clamp	1
3	1534417	Capscrew	9
4	2069225	Battery Cable (Negative)	1
4	148789	Terminal	1
4	1564044	Fitting	1
4	806426	Fitting	1
5	1527879	Capscrew	3
6	2065855	Wire Harness (LPG Engine) (See Figure 4-17)	1
7	1480237	Clip Nut	4
8	1560121	Bracket	1
9	2061383	Battery Cable (Positive)	1
9	148792	Terminal	1
9	16079	Terminal	1
9	806426	Fitting	1
9	1536304	Boot	1
9	1560091	Boot	1
10	1539085	Nut	1
11	1539086	Lockwasher	1
12	1529366	Capscrew	1
13	296380	Lockwasher	1
14	1556623	Bolt	1
15	1556342	Sensor (Oxygen)	1
16	1502543	Nut (Flange)	1
17	1529366	Capscrew	1
18	1527879	Capscrew	4
19	296150	Capscrew	2
20	1549398	Nut	2
21	2068062	Engine Control Unit	1
22	1514429	Nut (Flange)	1
23	1515654	Sensor (Coolant Temperature)	1
24	1556838	Plate	1
25	1527571	Ignition Coil	1
26	1545444	Igniter	1
27	1545443	Condenser	1
28	367224	Adapter	1
29	325182	Nut	9
30	1586495	Capscrew	4
31	1581526	Formed Bracket (Engine Control)	1
32	1566654	Sensor (Oil Pressure)	1
33	1501970	Switch (Low Pressure)	1
34	141259	Fitting	1
35	1529257	Sensor (Air Flow Restriction)	1

ENGINE ELECTRICAL SYSTEM (Figure 4-4) YANMAR 2.6L DIESEL



HP081653

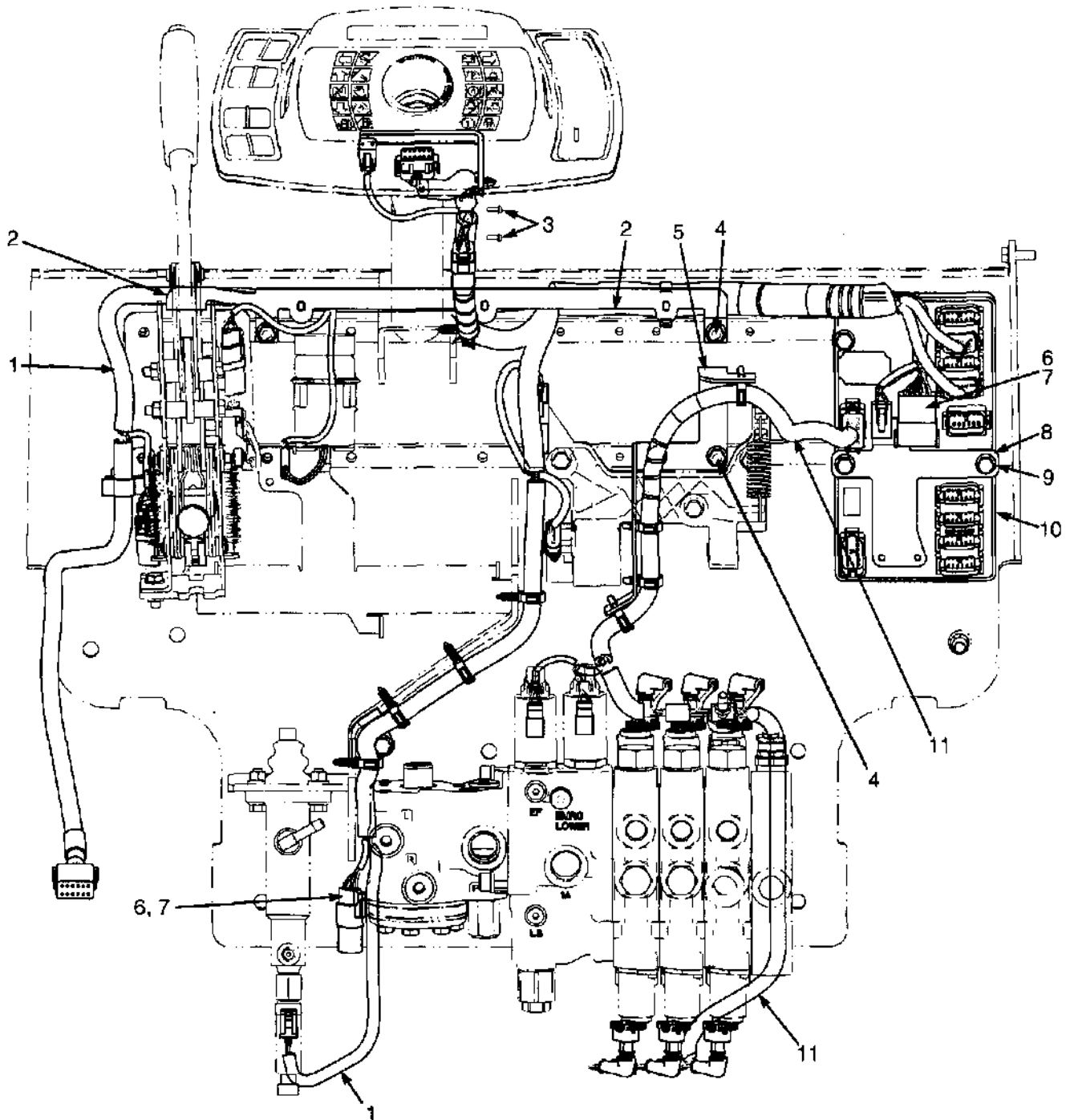
**ENGINE ELECTRICAL SYSTEM
YANMAR 2.6L DIESEL**

ITEM	PART NO.	DESCRIPTION	QTY
1	2060844	Wire Harness (Engine) (See Figure 4-18)	1
2	1539086	Lockwasher	1
3	1539085	Nut	1
4	1529257	Sensor (Air Flow Restriction)	1
5	367224	Adapter	1
6	1566654	Sensor (Oil Pressure)	1
7	1560678	Nut	2
8	1582150	Bracket	1
9	1529366	Capscrew	4
10	1582151	Bracket	1
11	1527562	Isolation Mount	2
12	1454967	Relay	1
13	1514429	Nut (Flange)	2
14	320152	Washer	1
15	292676	Lockwasher	1
16	302015	Screw	1
17	1541231	Sensor (Speed)	1
17	296379	Washer	2
19	1515654	Sensor (Coolant Temperature)	1
20	1594055	Bracket	1
21	1527878	Capscrew	1
22	1542440	Clamp (Swivel)	1
23	1591454	Bracket	1
24	2065098	Wire Harness (Alternator)	1
24	1454860	Connector	1
24	1566145	Terminal	1
24	1560015	Terminal	1
24	1454829	Fuse (60 Amp)	1
24	1454862	Cover (With Seal)	1
24	1566146	Boot	1
24	1454827	Seal	2
24	1454828	Terminal	2
25	320154	Washer	1
26	1537551	Clip Nut	1
27	302027	Screw	1
28	136687	Nut	1
29	2066344	Battery Cable (Positive)	1
29	148792	Terminal	1
29	16079	Terminal	1
29	806426	Fitting	1
29	1560091	Boot	1
29	1536304	Boot	1
30	2069226	Battery Cable (Negative)	1
30	148789	Terminal	1
30	16079	Terminal	1
30	1564044	Fitting	1
30	128408	Clamp	1
30	806426	Fitting	1
31	296380	Lockwasher	1
32	1529366	Capscrew	2
33	1502061	Clamp	1

**ENGINE ELECTRICAL SYSTEM
YANMAR 2.6L DIESEL**

ITEM	PART NO.	DESCRIPTION	QTY
34	1599845	Starter.....	1
35	1528889	Capscrew.....	1

COWL ELECTRICAL (Figure 4-5)



BP080328

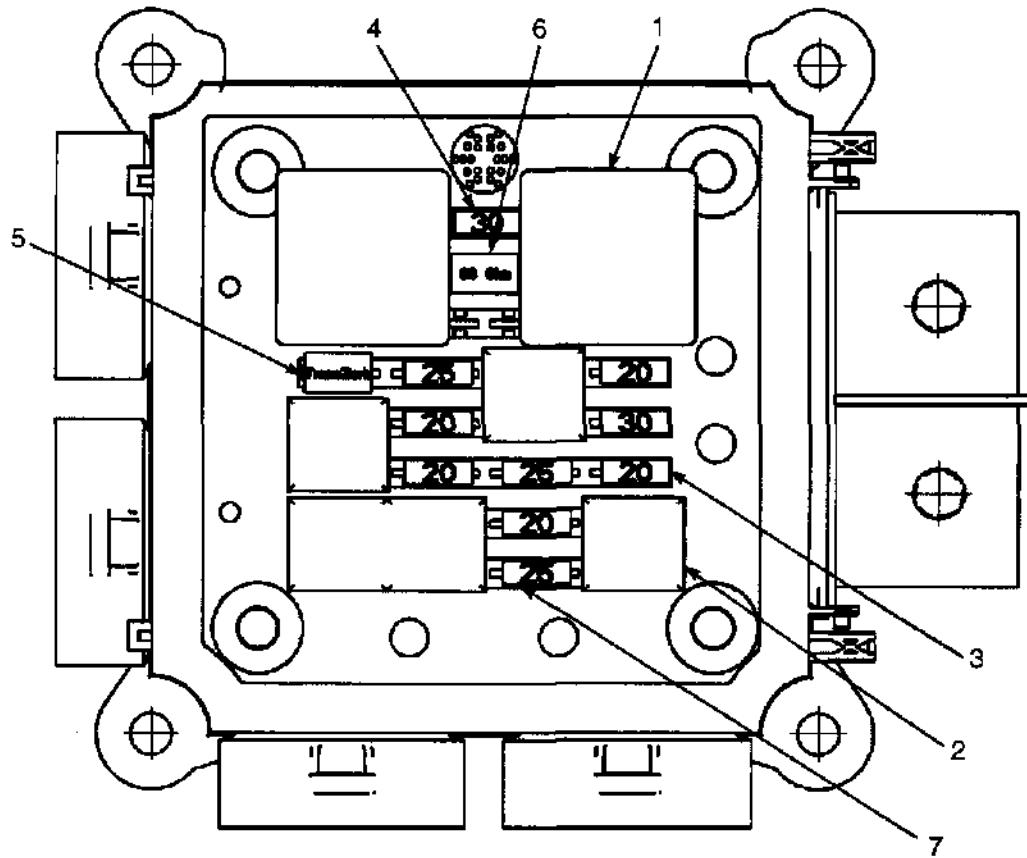
COWL ELECTRICAL

ITEM	PART NO.	DESCRIPTION	QTY
1	2070269	Wire Harness (Cowl) (☞ Figure 4-16)	1
2	1600190	Bracket	1
3	1554902	Screw	2
4	1529366	Capscrew	2
5	1531975	Bracket	1
6	1500912	Clip	3
7	1582464	Fastener	3
8	1582465	Bracket	1
9	1510115	Capscrew	3
10	e 2068342	Vehicle System Manager	1
10	d 2068343	Vehicle System Manager	1
11	a 2058909	Wire Harness (Electronic Control Valve) (☞ Figure 4-20)	1
11	c 2060198	Wire Harness (Electronic Control Valve) (☞ Figure 4-19)	1
12	b 1563841	Connector (12 Pin)	1

FOOTNOTES:

- a Four Function
- b Not Illustrated
- c Three Function
- d With Electronic Hydraulics
- e Without Electronic Hydraulics

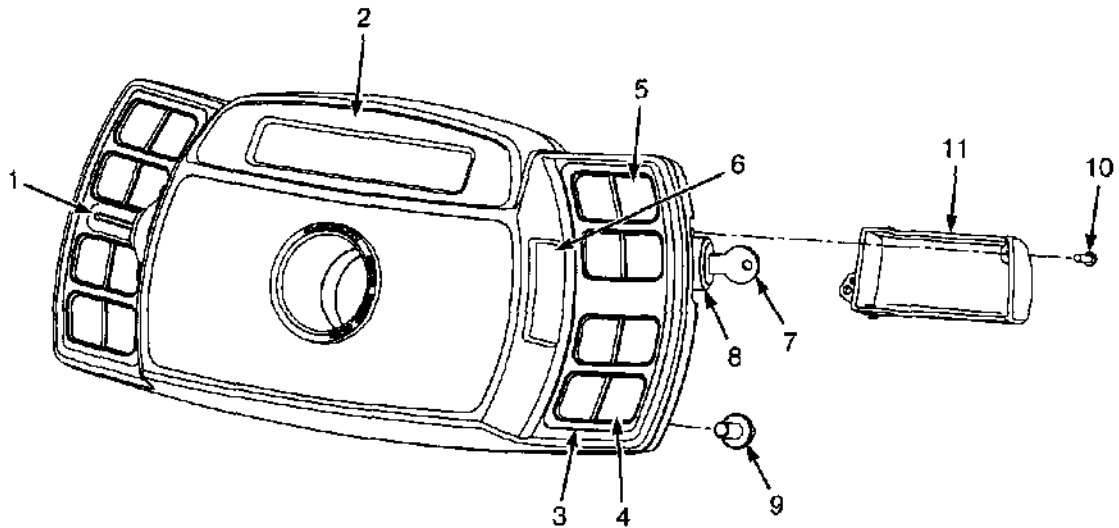
POWER DISTRIBUTION MODULE (Figure 4-6)



BP000278

ITEM	PART NO.	DESCRIPTION	QTY
	2063093	Power Distribution Module	1
1	2044712	Relay (30 Amp)	2
2	1528315	Relay (20 Amp)	5
3	1528132	Fuse (20 Amp).....	5
4	1528133	Fuse (30 Amp).....	2
5	1528630	Semiconductor	1
6	1528631	Resistor (68 Ohm, 5 Watt)	1
7	1544255	Fuse (25 Amp).....	3

INSTRUMENT CLUSTER (Figure 4-7)



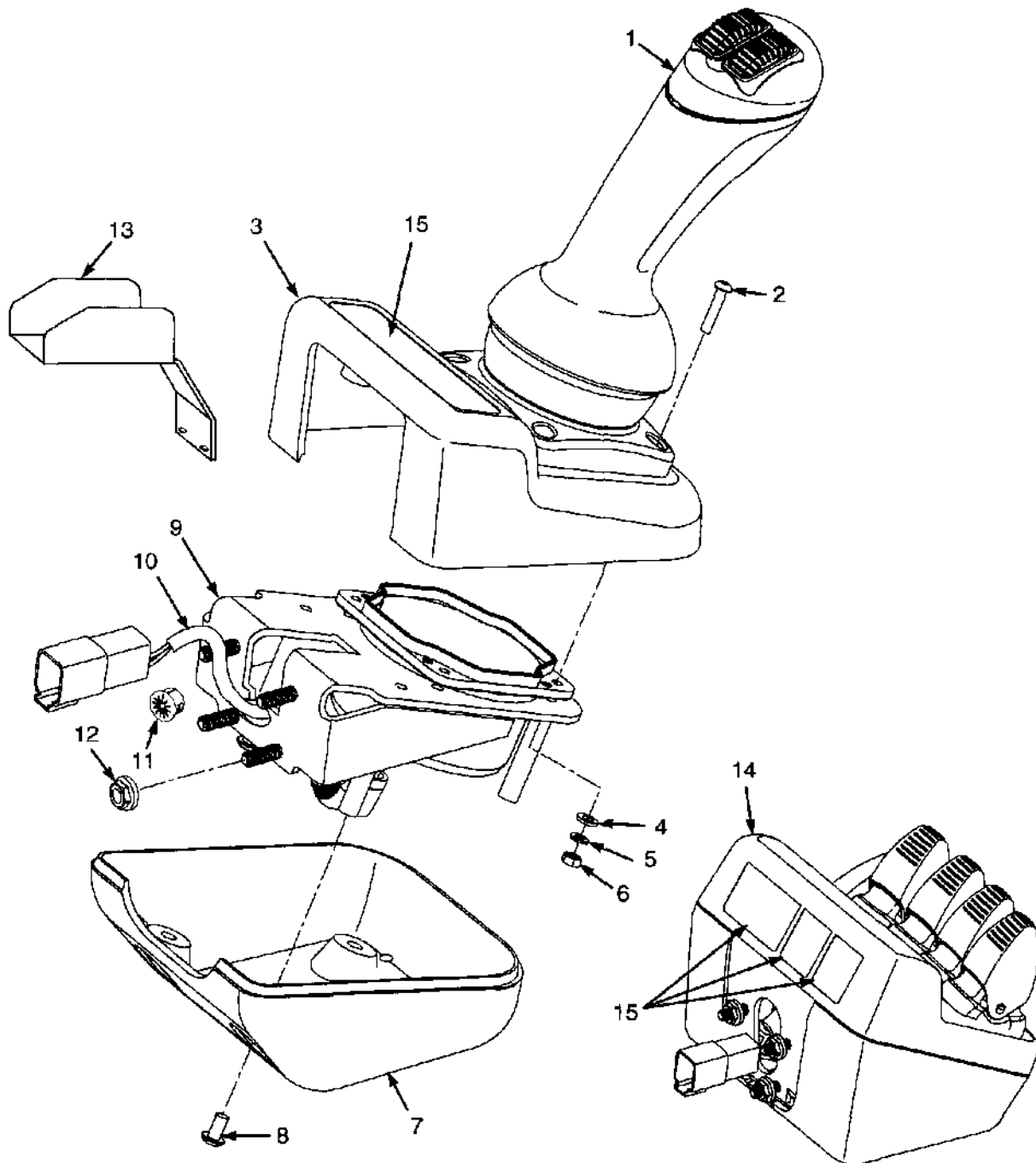
BP080215

ITEM	PART NO.	DESCRIPTION	QTY
1	2060837	Lever (Detent)	1
2	2076695	Instrument Cluster	1
3	2066485	Bezel (Display Cluster)	2
4	a 2066482	Overlay (RH Display)	1
5	2066484	Decal (RH Display, All Options)	1
6	2060032	Cover (Display Lever)	1
7	1337197	Key Set	1
8	2057948	Ignition Switch	1
9	1527879	Capscrew	4
10	1554902	Screw	5
11	2060033	Cover (Keyswitch)	1

FOOTNOTES:

a Remove Panels From Overlay as Required For Truck Configuration.

JOY STICK (Figure 4-8) AND ELECTRONIC CONTROL LEVERS



BP080318

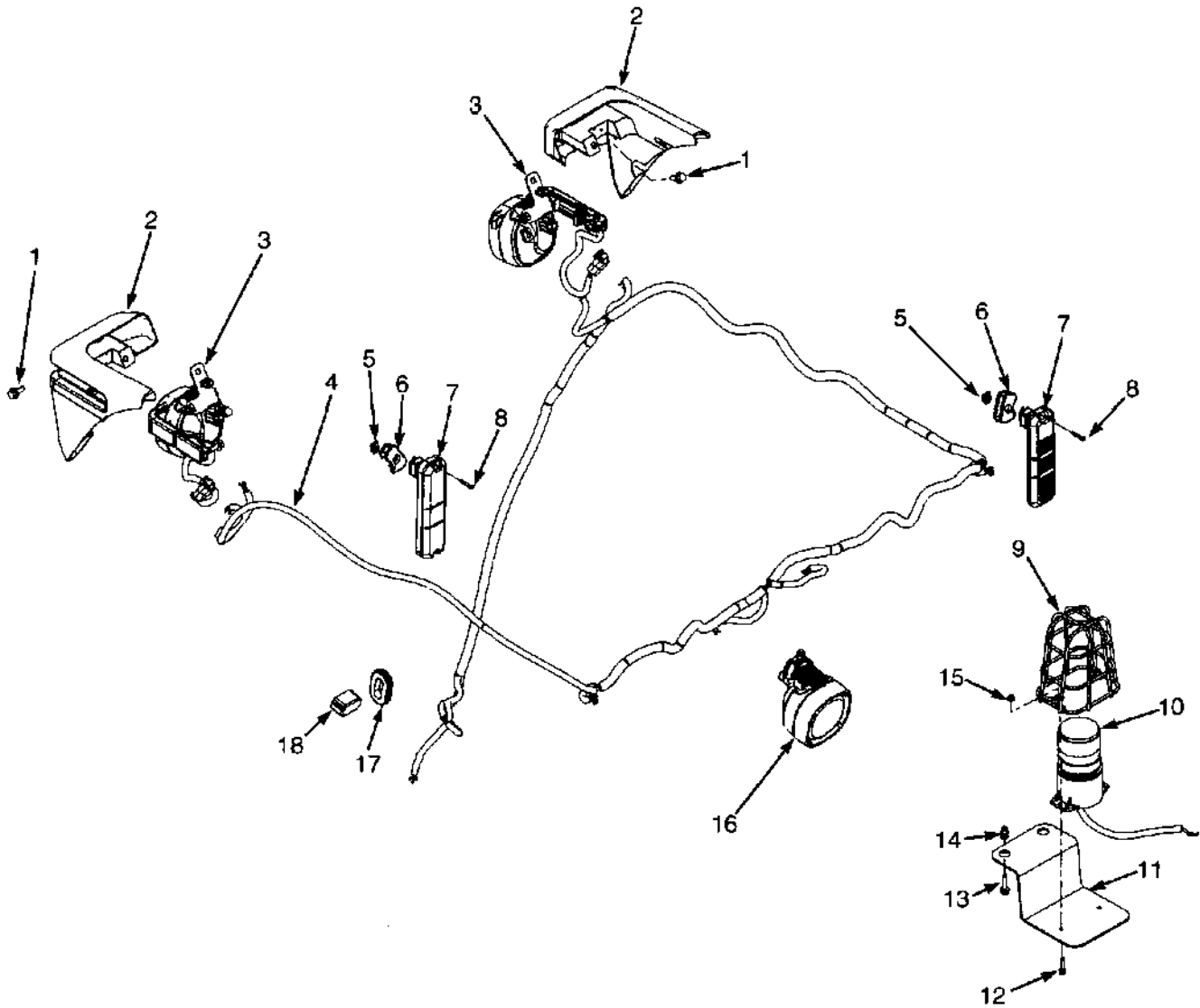
JOY STICK AND ELECTRONIC CONTROL LEVERS

KEY:**A:** Three Function**B:** Four Function

ITEM	PART NO.	DESCRIPTION	QTY	
			A	B
1	1585906	Joystick Control (Without Interlock)	1	..
1	1585907	Joystick Control (Without Interlock)	1
1	1585908	Joystick Control (With Interlock)	1	..
1	1585909	Joystick Control (With Interlock)	1
2	1598283	Screw	4	4
3	1550647	Housing (Upper)	1	1
4	320154	Washer	4	4
5	292678	Lockwasher	4	4
6	292667	Nut	4	4
7	1550646	Housing (Lower)	1	1
8	2062718	Capscrew	6	6
9	1552107	Bracket	1	1
10	2062070	Wire Harness (Joystick)	1	1
11	1569995	Bushing	1	1
12	1514429	Nut (Flange)	4	4
13	1579847	Bracket	1	1
14	2064790	Mini-Levers	1	..
14	2064807	Mini-Levers	1
14	2075911	Mini-Levers (Clamping)	1	..
14	2075912	Mini-Levers (Clamping)	1
14	2075913	Mini-Levers (With Return To Set Tilt)	1	..
14	2075914	Mini-Levers (With Return To Set Tilt)	1
14	2075916	Mini-Levers (Clamping With Return To Set Tilt)	1	..
14	2075917	Mini-Levers (Clamping With Return To Set Tilt)	1
14	a 1555731	Lever Kit	AR	AR
15	Label (☞ Figure 1-14, ☞ Figure 1-15)	AR	AR
	1591185	Mini-Lever Interlock Kit	AR	AR
	1598221	Mini-Lever Interlock Switch Kit (Clamping With Return To Set Tilt)	AR	AR
	1598222	Mini-Lever Plug Kit	AR	AR
	1598223	Momentary Switch Plug Kit	AR	AR

FOOTNOTES:**a** Kit contains one lever and hardware

WORK, REAR DRIVE, AND BRAKE/TAIL LIGHTS (Figure 4-9)

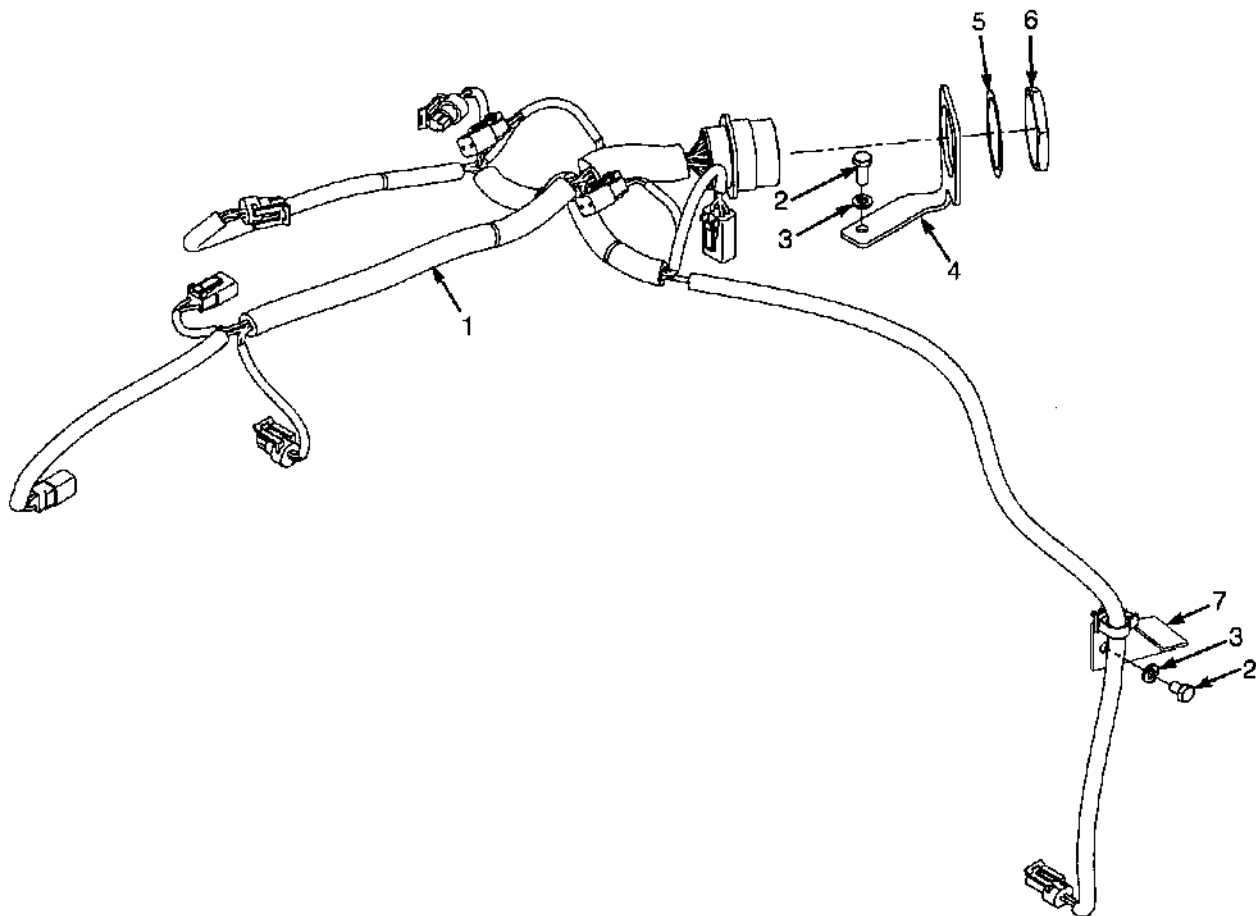
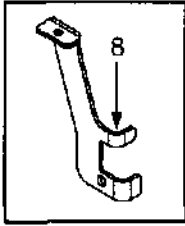


BP080335

WORK, REAR DRIVE, AND BRAKE/TAIL LIGHTS

ITEM	PART NO.	DESCRIPTION	QTY
1	1527880	Capscrew.....	4
2	2070561	Turn Signal (RH Front).....	1
2	2070563	Cap.....	2
2	1493466	Connector.....	1
2	1330415	Lock.....	1
2	1330437	Terminal (Pin).....	3
2	2070562	Turn Signal (LH Front).....	1
2	2070563	Cap.....	2
2	1493466	Connector.....	1
2	1330415	Lock.....	1
2	1330437	Terminal (Pin).....	3
3	2070553	Work Light (RH Front).....	1
3	1495122	Bulb.....	1
3	2070554	Work Light (LH Front).....	1
3	1495122	Bulb.....	1
4	2074737	Wire Harness (See Figure 4-22).....	1
5	1537551	Clip Nut.....	2
6	1560447	Grommet (RH).....	1
7	2056824	Light (Stop,Turn,Tail, And Back-Up).....	2
7	2056826	Reflector (Tail).....	2
7	Bracket (See Figure 1-2).....	2
8	1565125	Screw.....	4
9	1302024	Guard.....	1
10	1581670	Strobe Light Assembly.....	1
10	1382130	Strobe Light.....	1
10	1526082	Lens (Amber).....	1
10	1309775	Bulb.....	1
10	1561559	Connector.....	1
10	1561755	Secondary Lock.....	1
10	1463138	Pin.....	2
10	275493	Conduit.....	AR
11	1565076	Bracket.....	1
12	1586759	Capscrew.....	2
13	1586495	Capscrew.....	2
14	1531001	Insert.....	2
15	1586428	Nut.....	2
16	2064836	Work Light (Rear).....	1
17	1539584	Grommet (Oval).....	1
18	1563841	Connector.....	1

TRANSMISSION ELECTRICAL SYSTEM (Figure 4-10)

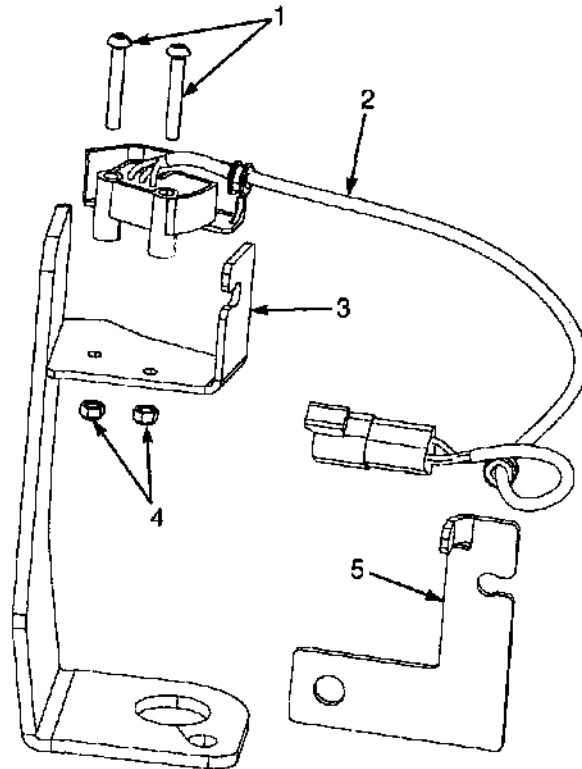


BP080315

TRANSMISSION ELECTRICAL SYSTEM

ITEM	PART NO.	DESCRIPTION	QTY
1	2070731	Wire Harness (Transmission) (See Figure 4-21)	1
2	287851	Capscrew	2
3	292681	Lockwasher	2
4	1531519	Bracket	1
5	1539086	Lockwasher	1
6	1539085	Nut	1
7	1531519	Bracket	1
8	1584127	Bracket	1

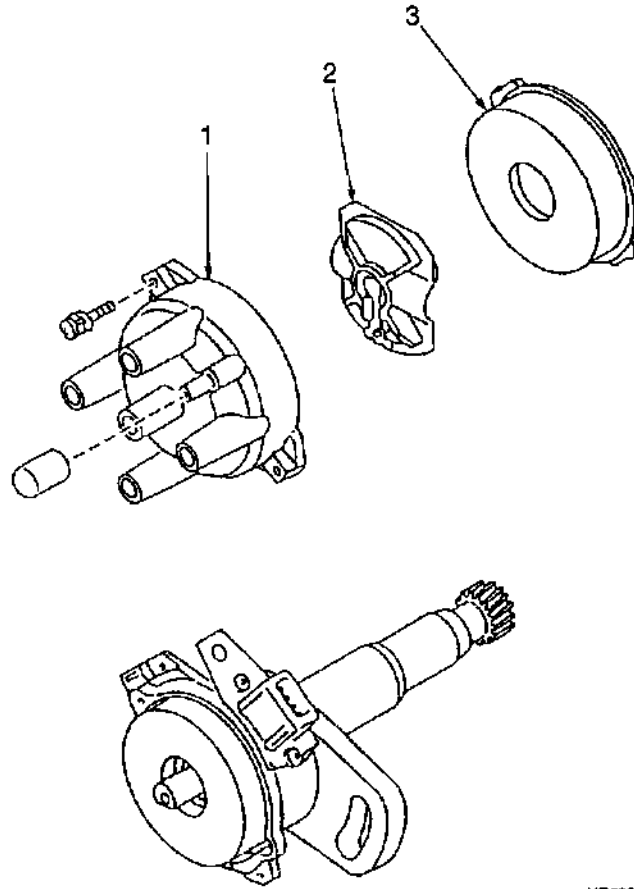
MAST ELECTRICAL (Figure 4-11) TILT SENSOR



BP080317

ITEM	PART NO.	DESCRIPTION	QTY
1	1553897	Capscrew.....	2
2	1589621	Sensor (Mast).....	1
2	1493466	Connector.....	1
2	1330415	Lock.....	1
2	1330437	Terminal (Pin).....	3
2	98644	Grommet.....	2
2	175944	Heat Shrink Tube.....	AR
3	1587839	Bracket (Sensor).....	1
4	302398	Nut.....	2
5	1567157	Bracket (Harness).....	1

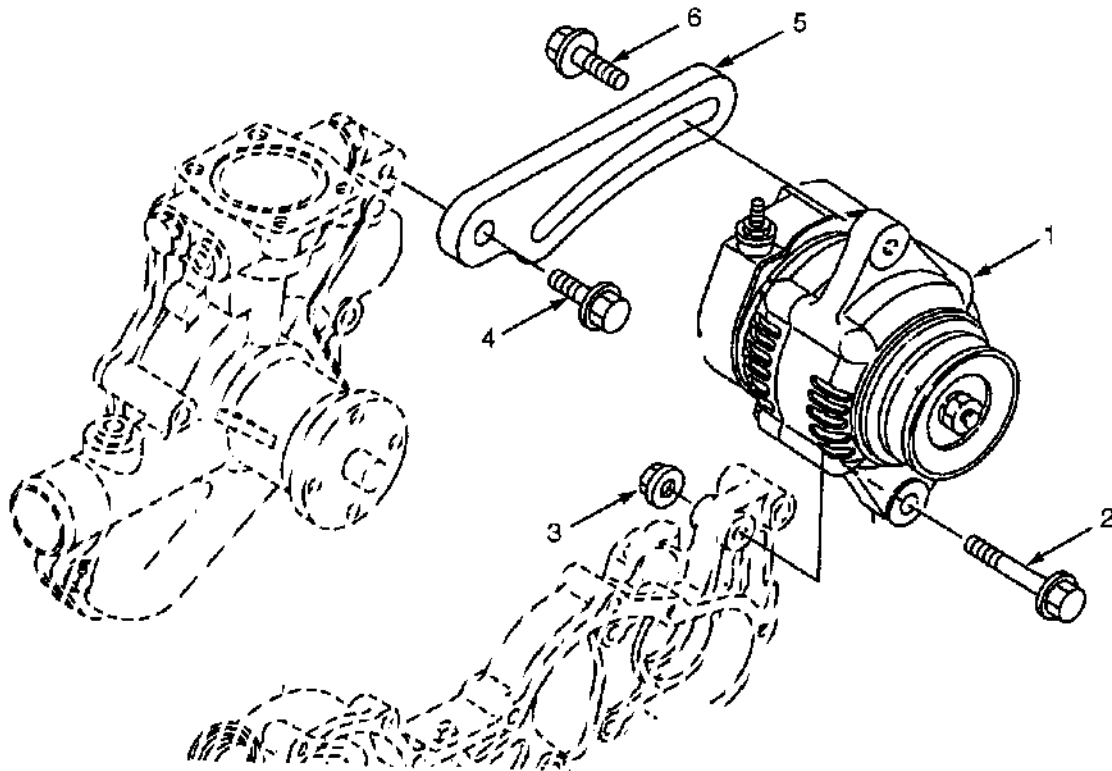
**DISTRIBUTER (Figure 4-12)
MAZDA 2.0L**



YP080539

ITEM	PART NO.	DESCRIPTION	QTY
	1554030	Distributor	1
1	1554033	Cap	1
2	1554034	Rotor	1
3	1554032	Cover	1

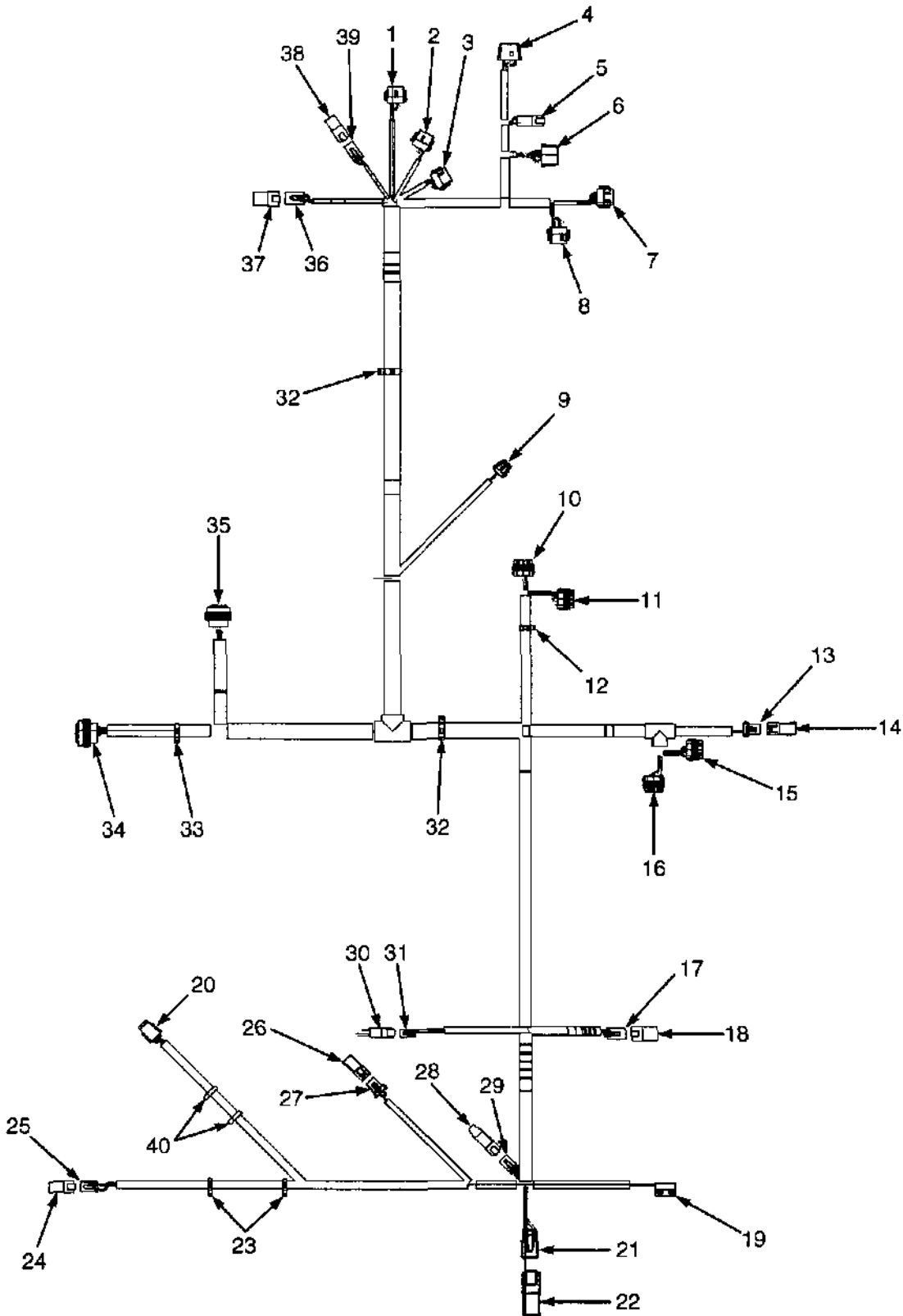
ALTERNATOR AND MOUNTING (Figure 4-13) YANMAR 2.6L DIESEL



BP08037

ITEM	PART NO.	DESCRIPTION	QTY
1	1599869	Alternator	1
2	1599893	Bolt	1
3	1599894	Nut	1
4	1599897	Bolt	1
5	1599895	Belt Adjuster	1
6	1599896	Bolt	1

WIRE HARNESS (Figure 4-14) CHASSIS MAZDA 2.0L



HP081574

**WIRE HARNESS
CHASSIS
MAZDA 2.0L**

ITEM	PART NO.	DESCRIPTION	QTY
	2075026	Wire Harness (RH Chassis)	1
1	1525570	Connector (Vehicle System Manger).....	1
1	1463139	Terminal	8
1	1484377	Plug.....	4
1	1530037	Secondary Lock	1
2	1525568	Connector (Vehicle System Manger).....	1
2	1463139	Terminal	6
2	1484377	Plug.....	6
2	1530037	Secondary Lock	1
3	1525567	Connector (Vehicle System Manger).....	1
3	1530037	Secondary Lock	1
3	1463139	Terminal	9
3	1484377	Plug.....	3
4	1525563	Connector.....	1
4	1500913	Secondary Lock	1
4	1330438	Socket (Terminal)	8
4	1363886	Socket	4
5	1489655	Connector (To Cowl Harness)	1
5	1330416	Secondary Lock	1
5	1330437	Terminal (Pin).....	4
6	1493428	Connector (12-Way) (To Cowl Harness).....	1
6	1330438	Socket (Terminal)	9
6	1330439	Plug.....	3
6	1500913	Secondary Lock	1
7	1525567	Connector (Vehicle System Manger).....	1
7	1529046	Secondary Lock	1
7	1463139	Terminal	6
7	1484377	Plug.....	6
8	1525569	Connector (Vehicle System Manger).....	1
8	1529046	Secondary Lock	1
8	1463139	Terminal	9
8	1484377	Plug.....	3
9	1476064	Connector (Horn)	1
9	1476109	Secondary Lock	1
9	1330356	Seal.....	2
9	1330355	Terminal	3
9	1476108	Seal.....	1
10	1521184	Connector (Power Distribution Module).....	1
10	1521188	Secondary Lock	1
10	1323579	Seal.....	5
10	1327164	Plug.....	2
10	1330281	Terminal	5
10	1521989	Terminal	1
10	1402888	Seal.....	1
11	1521183	Connector (Power Distribution Module).....	1
11	1521188	Secondary Lock	1
11	1323579	Seal.....	7
11	1327164	Plug.....	1
11	1330281	Terminal	4
11	1521989	Terminal	3

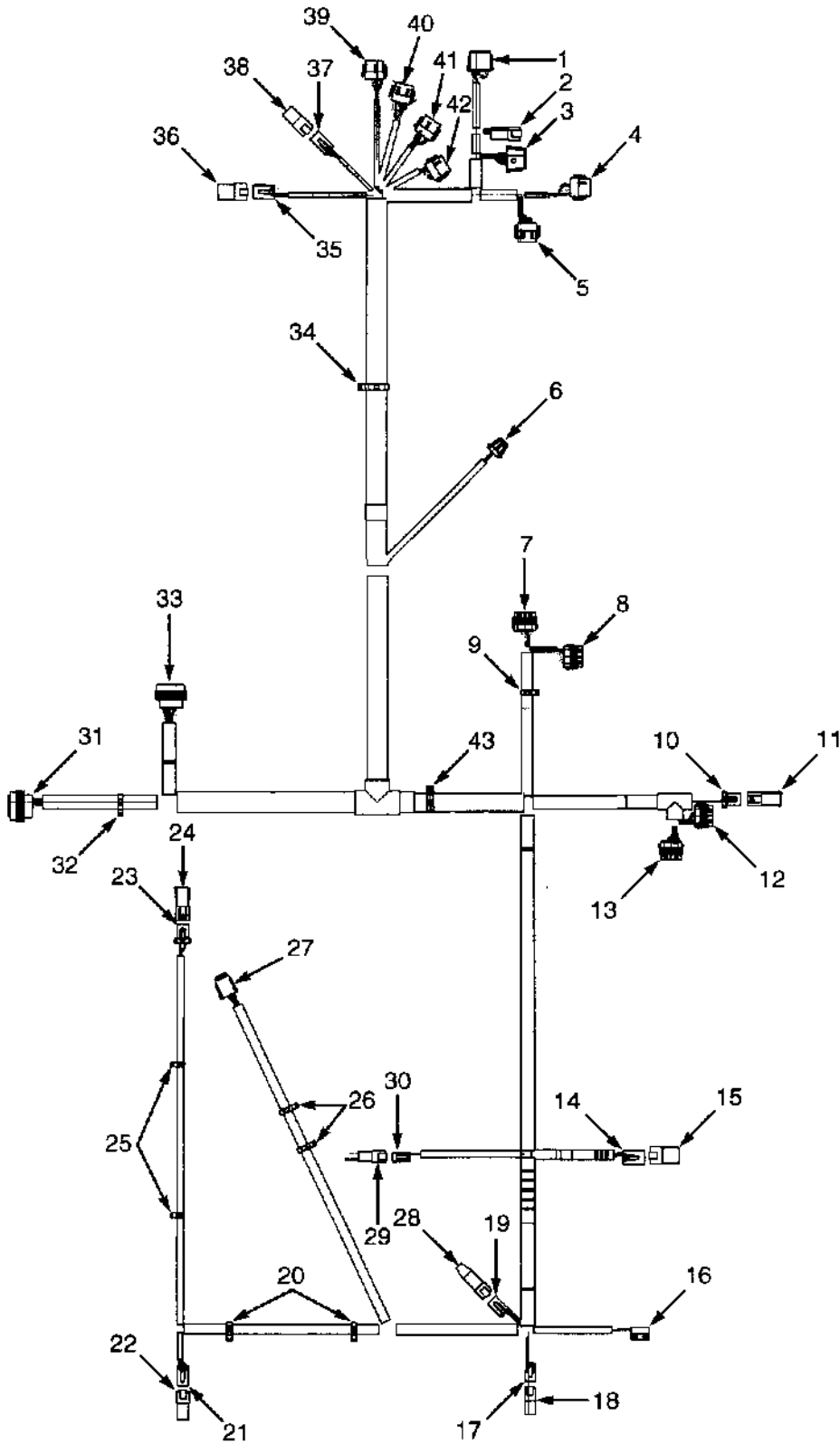
WIRE HARNESS CHASSIS MAZDA 2.0L

ITEM	PART NO.	DESCRIPTION	QTY
12	1534828	Clip	1
13	1329152	Connector (Hydraulic Filter)	1
13	1329151	Secondary Lock	1
13	1330281	Terminal	2
13	1402888	Seal	2
14	1329150	Connector (End Cap)	1
14	1327164	Plug	2
14	1329151	Secondary Lock	1
15	1521185	Connector (Power Distribution Module)	1
15	1521188	Secondary Lock	1
15	1323579	Seal	7
15	1327164	Plug	1
15	1330281	Terminal	5
15	1521989	Terminal	2
16	1521186	Connector (Power Distribution Module)	1
16	1521188	Secondary Lock	1
16	1323579	Seal	7
16	1327164	Plug	1
16	1521989	Terminal	7
17	1514602	Connector (Accessory 2)	1
17	1514603	Secondary Lock	1
17	1330439	Plug	1
17	1554359	Terminal	3
18	1514597	Connector (End Cap)	1
18	1330439	Plug	4
19	1572588	Switch (Hood Switch)	1
20	1541991	Connector (To Seat Harness)	1
20	1541992	Secondary Lock	1
20	1463139	Terminal	8
21	1490242	Connector (Alternate Horn Button)	1
21	1490243	Secondary Lock	1
21	1330438	Socket (Terminal)	2
22	1351681	Connector	1
23	1509890	Clip	2
24	1351683	Connector (End Cap)	1
25	1493430	Connector (To BackUp Alarm)	1
25	1529052	Secondary Lock	1
25	1330438	Socket (Terminal)	6
26	1329150	Connector (End Cap)	1
26	1329151	Secondary Lock	1
26	1327164	Plug	2
27	1329152	Connector (Coolant Level)	1
27	1329151	Secondary Lock	1
27	1330281	Terminal	2
27	1402888	Seal	2
28	1525577	Connector (End Cap)	1
29	1489656	Connector (Buss Terminal)	1
29	1489657	Secondary Lock	1
29	1330438	Socket (Terminal)	4
30	1493465	Connector (Keyswitch)	1

**WIRE HARNESS
CHASSIS
MAZDA 2.0L**

ITEM	PART NO.	DESCRIPTION	QTY
30	1330414	Secondary Lock	1
30	1330437	Terminal (Pin).....	2
31	1490242	Connector (Keyswitch)	1
31	1490243	Secondary Lock	1
31	1330438	Socket (Terminal)	2
32	1534282	Clip	2
33	1500899	Clip	1
34	1502627	Connector (To Transmission Harness)	1
34	1330438	Socket (Terminal)	16
34	1330439	Plug	7
35	1531501	Connector (To Engine Harness)	1
35	1330438	Socket (Terminal)	8
35	1330439	Plug	12
35	1484377	Plug	6
35	1554359	Terminal	3
36	1514602	Connector (To Light Harness)	1
36	1514603	Secondary Lock	1
36	1554359	Terminal	4
37	(End Cap).....	..
37	1514597	Connector	1
37	1330439	Plug	4
38	(End Cap).....	..
38	1480187	Connector	1
38	1330439	Plug	2
39	1545202	Connector (Accessory 1).....	1
39	1554359	Terminal	2
39	1546697	Secondary Lock	1
40	1402815	Clip	2

WIRE HARNESS (Figure 4-15) CHASSIS YANMAR DIESEL 2.6L



BP080336

**WIRE HARNESS
CHASSIS
YANMAR DIESEL 2.6L**

ITEM	PART NO.	DESCRIPTION	QTY
	2074736	Wire Harness (Chassis).....	1
1	1525569	Connector (Vehicle System Manager).....	1
1	1500913	Secondary Lock.....	1
1	1330438	Socket (Terminal).....	8
1	1363886	Socket.....	4
2	1489655	Connector (To Cowl Harness).....	1
2	1330416	Secondary Lock.....	1
2	1330437	Terminal (Pin).....	4
3	1493428	Connector (12-Way) (To Cowl Harness).....	1
3	1500913	Secondary Lock.....	1
3	1330438	Socket (Terminal).....	9
3	1330439	Plug.....	3
4	1525567	Connector (Vehicle System Manager).....	1
4	1529046	Secondary Lock.....	1
4	1463139	Terminal.....	6
4	1484377	Plug.....	6
5	1525569	Connector (Vehicle System Manager).....	1
5	1529046	Secondary Lock.....	1
5	1463139	Terminal.....	9
5	1484377	Plug.....	3
6	1476064	Connector (Horn).....	1
6	1476109	Secondary Lock.....	1
6	1330356	Seal.....	2
6	1330355	Terminal.....	3
6	1476108	Seal.....	1
7	1521184	Connector (Power Distribution Manager).....	1
7	1521188	Secondary Lock.....	1
7	1323579	Seal.....	5
7	1327164	Plug.....	2
7	1330281	Terminal.....	5
7	1521989	Terminal.....	1
7	1402888	Seal.....	1
8	1521183	Connector (Power Distribution Manager).....	1
8	1521188	Secondary Lock.....	1
8	1323579	Seal.....	7
8	1327164	Plug.....	1
8	1330281	Terminal.....	4
8	1521989	Terminal.....	3
9	1534828	Clip.....	1
10	1329152	Connector (Hydraulic Filter).....	1
10	1329151	Secondary Lock.....	1
10	1330281	Terminal.....	2
10	1402888	Seal.....	2
11	1329150	Connector (End Cap).....	1
11	1329151	Secondary Lock.....	1
11	1327164	Plug.....	2
12	1521185	Connector (Power Distribution Module).....	1
12	1521188	Secondary Lock.....	1
12	1323579	Seal.....	8
12	1330281	Terminal.....	6

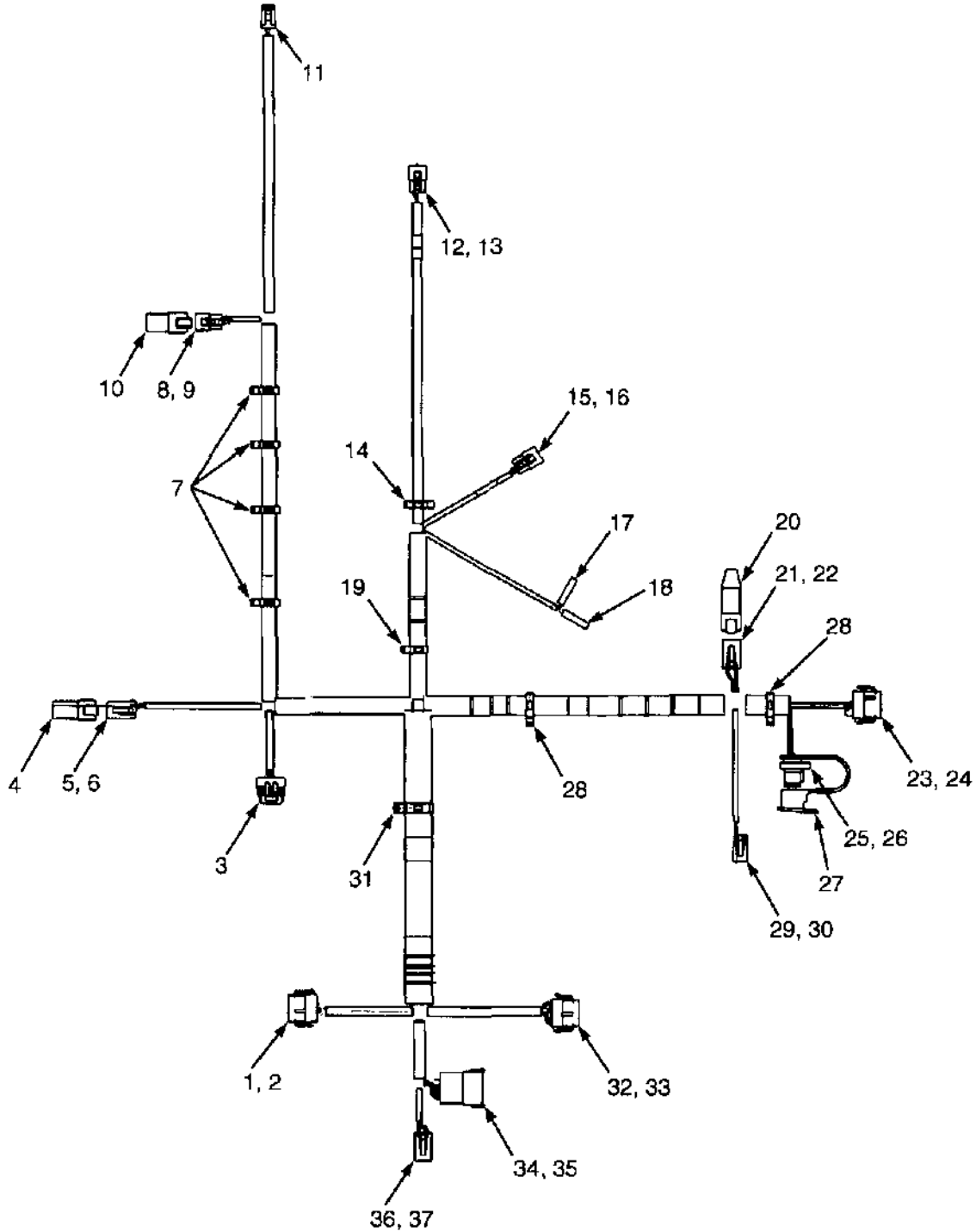
WIRE HARNESS CHASSIS YANMAR DIESEL 2.6L

ITEM	PART NO.	DESCRIPTION	QTY
12	1521989	Terminal	2
13	1521186	Connector (Power Distribution Module).....	1
13	1521188	Secondary Lock	1
13	1323579	Seal.....	7
13	1327164	Plug.....	1
13	1521989	Terminal	2
14	1514602	Connector (Accessory 2).....	1
14	1514603	Secondary Lock	1
14	1330439	Plug.....	1
14	1554359	Terminal	3
15	1514597	Connector (End Cap)	1
15	1330439	Plug.....	4
16	1572588	Switch.....	1
17	1490242	Connector (Alternate Horn Button).....	1
17	1561519	Connector	1
17	1330438	Socket (Terminal).....	2
18	1351681	Connector.....	1
19	1489656	Connector (Buss Terminal 2).....	1
19	1489657	Secondary Lock	1
19	1330438	Socket (Terminal).....	5
20	1509890	Clip	2
21	1493430	Connector (To Backup Harness)	1
21	1529052	Secondary Lock	1
21	1330438	Socket (Terminal).....	6
22	1351683	Connector.....	1
23	1329152	Connector (Coolant Level).....	1
23	1329151	Secondary Lock	1
23	1330281	Terminal	2
23	1402888	Seal.....	2
24	1329150	Connector (End Cap)	1
24	1329151	Secondary Lock	1
24	1327164	Plug.....	2
25	1509888	Clip	2
26	1402815	Clip	2
27	1541991	Connector (To Seat Harness).....	1
27	1541992	Secondary Lock	1
27	1463139	Terminal	1
28	1525577	Connector (End Cap with Resistor).....	1
29	1493465	Connector.....	1
29	1541992	Secondary Lock	1
29	1330437	Terminal (Pin) (Keyswitch).....	2
30	1490242	Connector.....	1
30	1490243	Secondary Lock	1
30	1330437	Terminal (Pin).....	2
31	1502627	Connector (To Transmission Harness)	1
31	1330438	Socket (Terminal).....	14
31	1330439	Plug.....	9
32	1500899	Clip	1
33	1531501	Connector (To Engine Harness).....	1
33	1330438	Socket (Terminal).....	13

**WIRE HARNESS
CHASSIS
YANMAR DIESEL 2.6L**

ITEM	PART NO.	DESCRIPTION	QTY
33	1330439	Plug	7
33	1463139	Terminal	6
33	1554359	Terminal	3
34	1540944	Clip	1
35	1514602	Connector (To Light/Cab Harness)	1
35	1514603	Secondary Lock	1
35	1554359	Terminal	4
36	1514597	Connector (End Cap)	1
36	1330439	Plug	4
37	1545202	Connector (Accessory 1)	1
37	1548697	Secondary Lock	1
37	1554359	Terminal	2
38	1480187	Connector (End Cap)	1
38	1330439	Plug	2
39	1525570	Connector (Vehicle System Manager)	1
39	1530037	Secondary Lock	1
39	1463139	Terminal	7
39	1484377	Plug	5
40	1525569	Connector (Vehicle System Manager)	1
40	1530037	Secondary Lock	1
40	1463139	Terminal	11
40	1484377	Plug	1
41	1525568	Connector (Vehicle System Manager)	1
41	1530037	Secondary Lock	1
41	1463139	Terminal	7
41	1484377	Plug	5
42	1514602	Connector (Vehicle System Manager)	1
42	1530037	Secondary Lock	1
42	1463139	Terminal	9
42	1484377	Plug	3
43	1534282	Clip	1

WIRE HARNESS (Figure 4-16) COWL



HP061564

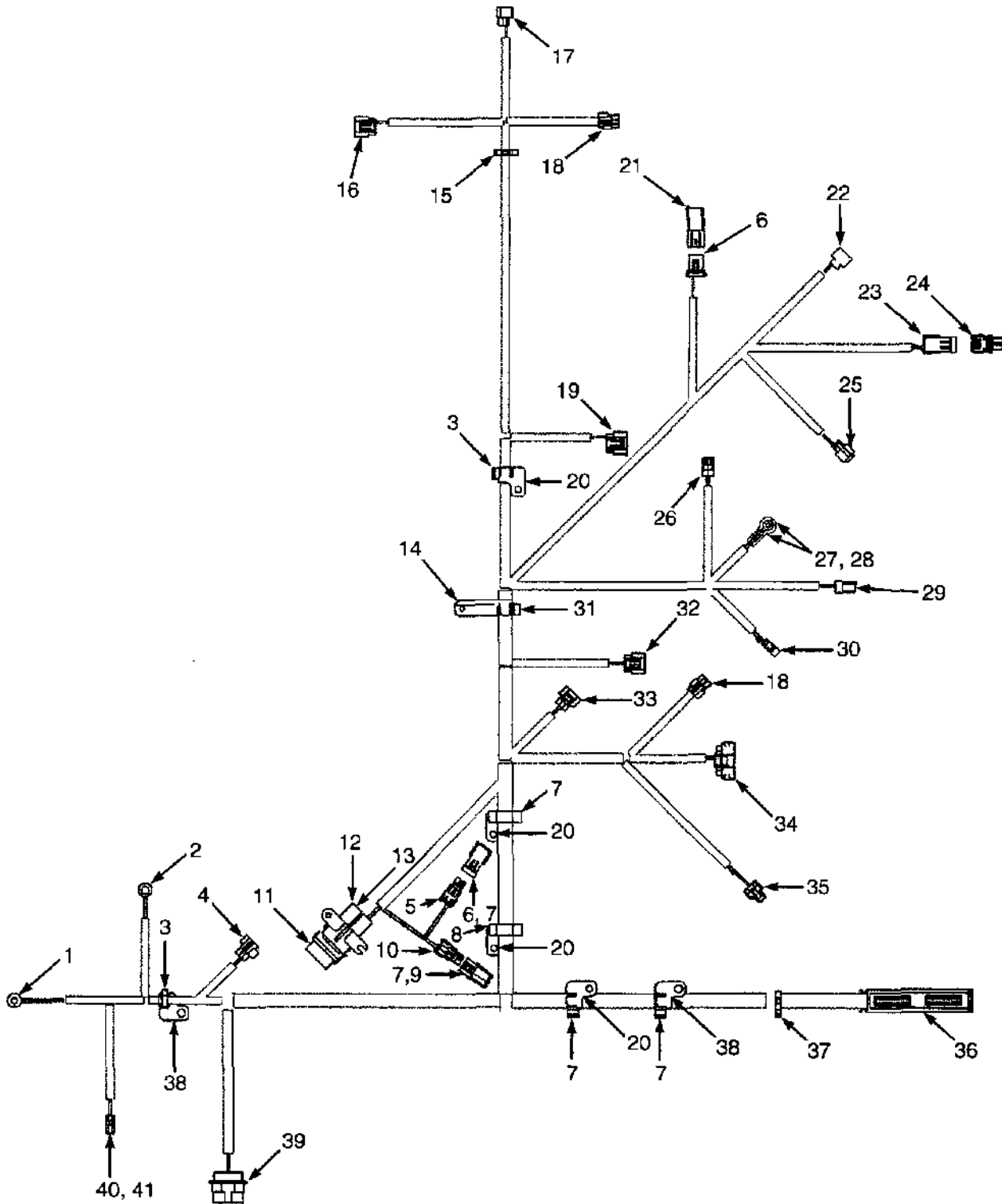
**WIRE HARNESS
COWL**

ITEM	PART NO.	DESCRIPTION	QTY
	2070269	Wire Harness.....	1
1	1525568	Connector (Vehicle System Manager).....	1
1	1463139	Terminal.....	10
1	1484377	Plug.....	2
2	1529046	Secondary Lock.....	1
3	1525584	Connector (Accelerator Pedal).....	1
3	1532571	Terminal.....	6
4	1525573	Connector (End Cap).....	1
4	1324309	Sleeve.....	1
5	1489656	Connector (To Monotrol Harness).....	1
5	1330438	Socket (Terminal).....	4
6	1489657	Secondary Lock.....	1
7	1509890	Clip.....	4
8	1484397	Housing (3-Way) (To Mast).....	1
8	1330438	Socket (Terminal).....	3
9	1463194	Secondary Lock.....	3
10	1351682	End Cap.....	1
11	1327957	Connector (Brake Pressure).....	1
11	1532571	Terminal.....	3
11	1330438	Socket (Terminal).....	3
11	1490242	Connector.....	1
12	1484397	Housing (3-Way) (Brake Pedal).....	1
12	1330438	Socket (Terminal).....	3
13	1463194	Secondary Lock.....	1
14	1402816	Clip.....	1
15	1484397	Housing (3-Way) (Park Brake).....	1
15	1324309	Sleeve.....	1
15	1330438	Socket (Terminal).....	3
16	1463194	Secondary Lock.....	3
17	1324310	Terminal (Brake Fluid).....	1
17	1566227	Terminal.....	1
18	1324310	Terminal (Brake Fluid).....	1
18	1566227	Terminal.....	1
19	1534828	Clip.....	1
20	1525577	Connector (End Cap).....	1
21	1489656	Connector (Buss Terminal).....	1
21	1330438	Socket (Terminal).....	4
22	1489657	Secondary Lock.....	3
23	1525567	Connector (Display).....	1
23	1463139	Terminal.....	5
23	1484377	Plug.....	7
24	1529046	Secondary Lock.....	1
25	1566116	Connector (J1939 Diag).....	1
25	1330438	Socket (Terminal).....	3
26	1532664	Secondary Lock.....	1
27	1566117	Dust Cap.....	1
28	1500899	Clip.....	2
29	1490242	Connector (Horn button).....	1
29	1330438	Socket (Terminal).....	2
30	1490243	Secondary Lock.....	1
31	1534282	Clip.....	1

WIRE HARNESS COWL

ITEM	PART NO.	DESCRIPTION	QTY
32	1525570	Connector (Vehicle System Manager).....	1
32	1463139	Terminal	7
32	1484377	Plug.....	5
33	1529046	Secondary Lock.....	1
34	1500925	Connector (RH Chassis)	1
34	1330437	Terminal (Pin).....	9
34	1330439	Plug.....	3
35	1352603	Secondary Lock.....	1
36	1489656	Connector (To RH Chassis).....	1
36	1330438	Socket (Terminal)	4
37	1489657	Secondary Lock.....	1

WIRE HARNESS (Figure 4-17) LPG ENGINE MAZDA 2.0L

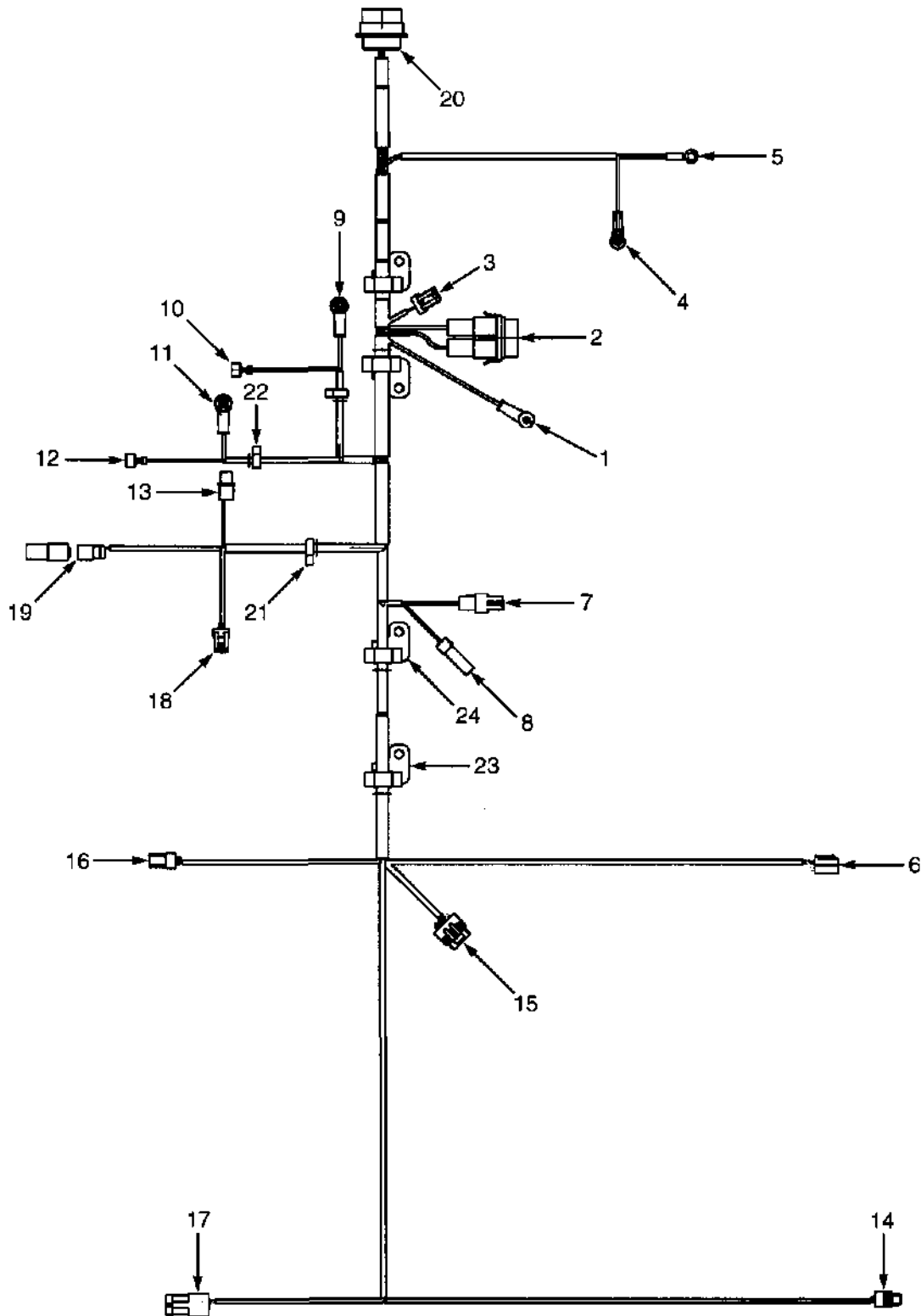


HP001563

**WIRE HARNESS
LPG ENGINE
MAZDA 2.0L**

ITEM	PART NO.	DESCRIPTION	QTY
	2065855	Wire Harness (LPG Engine)	1
1	1493458	E-Ring	1
2	1402890	Terminal (Block Ground)	1
3	1532775	Clip	2
4	1561518	Connector (Oxygen Sensor)	1
5	1465468	Connector	2
6	1547482	Connector	2
7	1567333	Clip	2
8	1532777	Clip	4
9	1547482	Connector	1
10	1378652	Connector Body	1
11	1454862	Cover (With Seal) (Alternator)	1
12	1378418	Fuse (50 Amp)	1
13	1543553	Fuse Holder	1
14	1558226	Bracket	1
15	1402816	Clip	1
16	1531237	Body (Igniter)	1
17	1531239	Connector (Coil)	1
18	1482651	Connector (Condenser)	2
19	1531240	Body (Distributor)	1
20	1532761	Bracket	4
21	1329150	Connector (LPG Low Pressure Switch)	1
22	1474764	Connector (LPG Idle Solenoid)	1
23	1465469	Receptacle (Air Filter Restriction)	1
24	1465468	Connector (Air Filter Restriction Sensor)	1
25	1474763	Connector (Main LPG Solenoid)	1
26	1327957	Connector (Oil Pressure Sensor)	1
27	1520864	Boot (Alternator)	1
28	129888	Terminal	1
29	1323586	Connector (Coolant Temperature)	1
30	1308259	Connector Body (Alternator)	1
31	1532776	Clip	1
32	1560441	Connector (MAP)	1
33	1531991	Connector (TPS)	1
34	1531231	Connector (Governor)	1
35	1482654	Connector (Injector)	1
36	1547479	Housing	1
38	1558228	Bracket	2
39	1531502	Connector (Chassis Harness)	1
40	1581313	Connector (Starter)	1
41	1581315	Terminal	1
555	1500899	Clip	1

WIRE HARNESS (Figure 4-18) DIESEL ENGINE YANMAR 2.6L

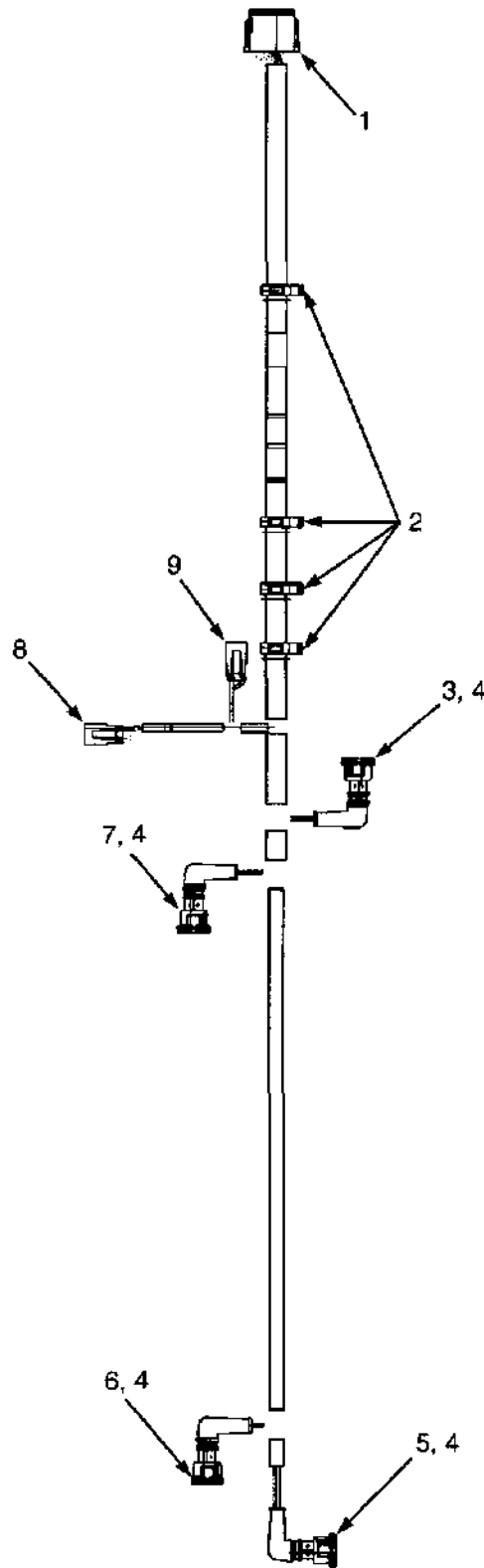


HP081650

**WIRE HARNESS
DIESEL ENGINE
YANMAR 2.6L**

ITEM	PART NO.	DESCRIPTION	QTY
	2060844	Wire Harness (Engine)	1
1	1559049	Terminal (Glow Plug)	1
1	190382	Boot	1
2	1454860	Connector (Fuse)	1
2	1382695	Connector	2
2	1382694	Fuse Connector	2
2	1454829	Fuse (60 Amp)	1
2	1454862	Cover (With Seal)	1
3	1546673	Connector (Engine RPM Sensor)	1
3	1323576	Terminal	3
4	1559049	Terminal (Starter Solenoid)	1
4	190382	Boot	1
5	148611	Terminal (Starter Stud)	1
6	1547368	Connector (Alternator)	1
6	1565098	Fitting	2
7	1582484	Connector (Fuel Shut-off Solenoid)	1
8	1582486	Connector (Cold Start Aid)	1
9	1521328	Terminal (Relay Power To Glow Plugs)	1
9	190383	Boot	1
10	325789	Fitting (Relay Ground)	1
11	1521328	Terminal (Fused Power Positive)	1
11	190383	Boot	1
12	325789	Fitting (Relay Signal)	1
13	1547369	Connector (Fuel Filter/Water Separator)	1
14	1476077	Connector (Fuel Level Sensor)	1
14	1323576	Terminal	2
15	1525584	Connector (Throttle Position Sensor)	1
15	1532571	Terminal	6
16	1323586	Connector (Water Temperature Sensor)	1
16	1323576	Terminal	2
17	1465469	Receptacle (Air Filter Sensor)	1
17	1323578	Pin	2
17	1402888	Seal	2
17	1498416	Terminal	2
18	1327957	Connector (Low Engine Oil Pressure Switch)	1
18	1532571	Terminal	3
19	1330419	Connector (Pull Actuator)	1
19	1330436	Terminal	2
19	1330424	Secondary Lock	1
19	1351681	Connector	1
20	1531502	Connector (Engine To Chassis)	1
20	1484709	Terminal (Pin)	3
20	1330437	Terminal (Pin)	19
20	1330439	Plug	7
21	1500901	Clip	1
22	1509888	Clip	2
23	1532776	Clip	4
24	1532761	Bracket	4

WIRE HARNESS (Figure 4-19) ELECTRONIC CONTROL VALVE 3 FUNCTION

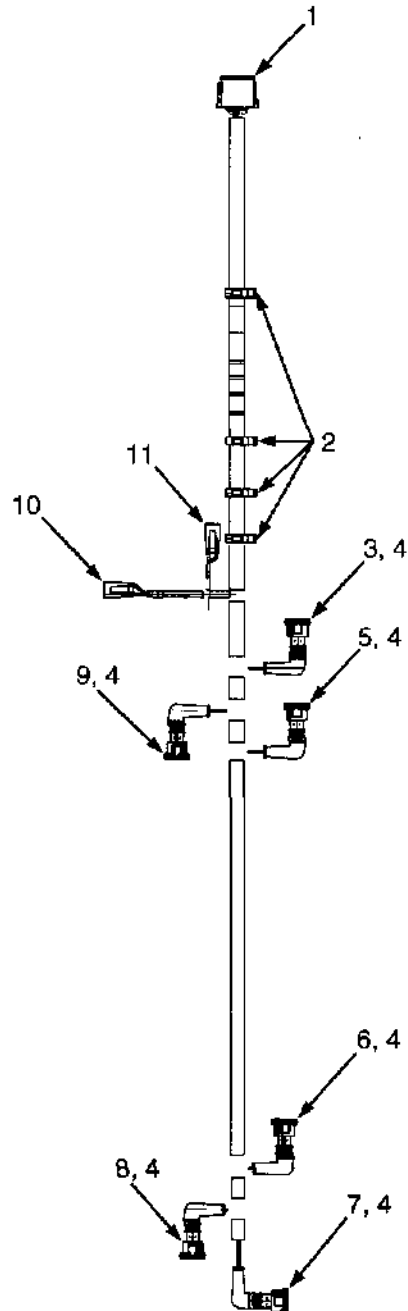


HP081569

**WIRE HARNESS
ELECTRONIC CONTROL VALVE
3 FUNCTION**

ITEM	PART NO.	DESCRIPTION	QTY
	2060198	Wire Harness (Electronic Control Valve)	1
1	1525564	Connector (Vehicle System Management)	1
1	1330438	Socket (Terminal)	9
1	1330439	Plug	3
1	1525564	Connector	1
1	1500913	Secondary Lock	1
2	1402815	Clip	4
3	1531162	Connector (2A Tilt)	1
3	1562649	Seal	2
3	1402814	Terminal	2
4	190383	Boot	4
5	1531162	Connector (2B Tilt)	1
5	1402814	Terminal	2
5	1562649	Seal	2
6	1493435	Socket (3B Auxiliary 1)	1
6	1562649	Seal	2
6	1402814	Terminal	2
7	1493435	Socket (3A Auxiliary 1)	1
7	1562649	Seal	2
7	1402814	Terminal	2
8	1490242	Connector	1
8	1330438	Socket (Terminal)	2
8	1490243	Secondary Lock	2
9	1490242	Connector	1
9	1330438	Socket (Terminal)	2
9	1490243	Secondary Lock	2

WIRE HARNESS (Figure 4-20) ELECTRONIC CONTROL VALVE 4 FUNCTION

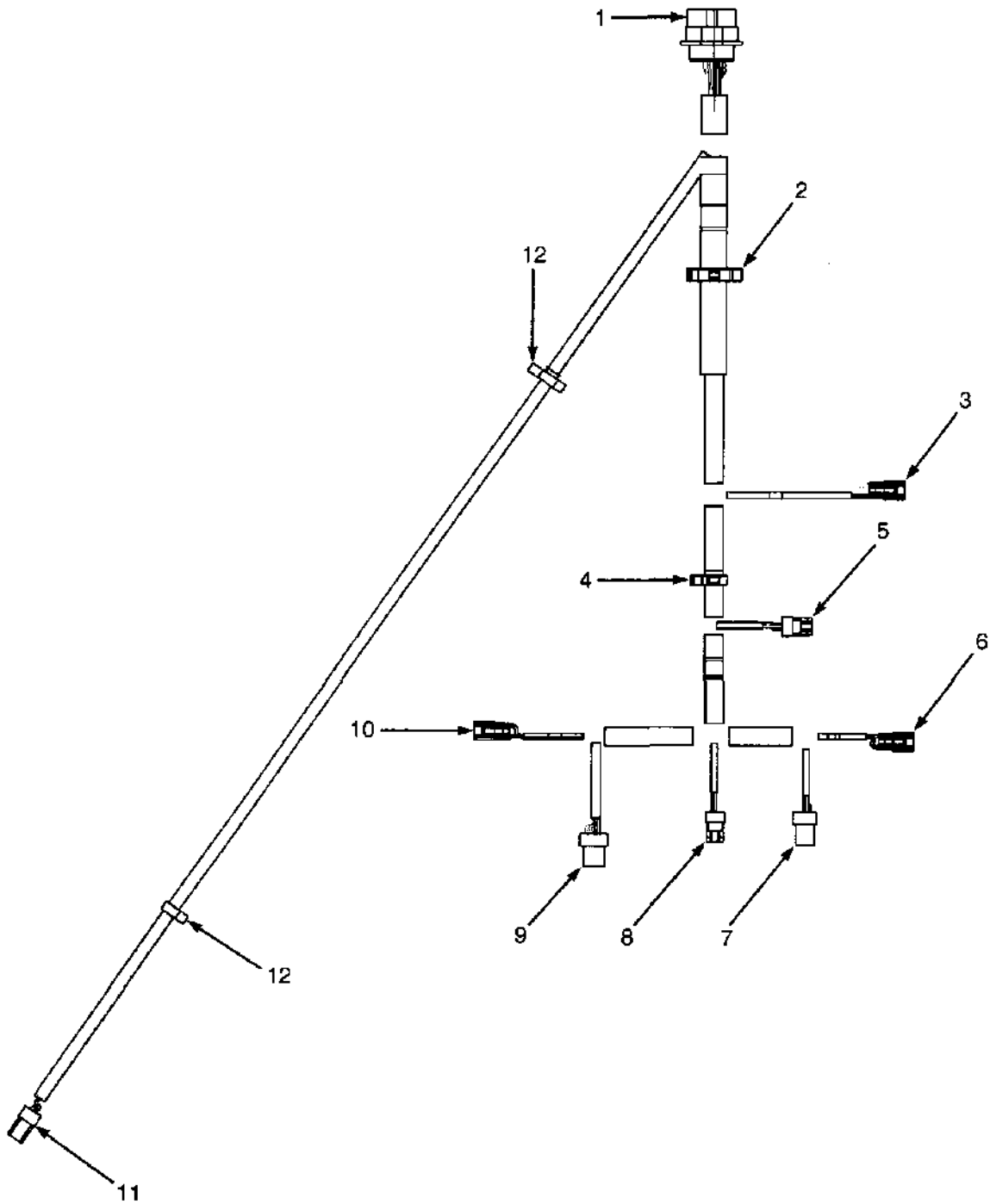


HP001568

**WIRE HARNESS
ELECTRONIC CONTROL VALVE
4 FUNCTION**

ITEM	PART NO.	DESCRIPTION	QTY
	2058909	Wire Harness (Electronic Control Valve)	1
1	1525564	Connector (Vehicle System Mangement)	1
1	1330438	Socket (Terminal)	12
1	1500913	Secondary Lock	1
2	1402815	Clip	4
3	1531162	Connector (2A Tilt)	1
3	1562649	Seal	2
3	1402814	Terminal	2
4	190383	Boot	6
5	1493447	Socket Housing (4A Auxiliary 2)	1
5	1562649	Seal	2
5	1402814	Terminal	2
6	1493447	Socket Housing (4B Auxiliary 2)	1
6	1562649	Seal	2
6	1402814	Terminal	2
7	1493435	Socket (2B Tilt)	1
7	1562649	Seal	2
7	1402814	Terminal	2
8	1493447	Socket Housing (3B Auxiliary 1)	1
8	1562649	Seal	2
8	1402814	Terminal	2
9	1493435	Socket (3A Auxiliary 1)	1
9	1562649	Seal	2
9	1402814	Terminal	2
10	1490242	Connector (Lift)	1
10	1330438	Socket (Terminal)	2
10	1490243	Secondary Lock	1
11	1490242	Connector (Lower)	1
11	1330438	Socket (Terminal)	2
11	1490243	Secondary Lock	1

WIRE HARNESS (Figure 4-21) TRANSMISSION SINGLE SPEED

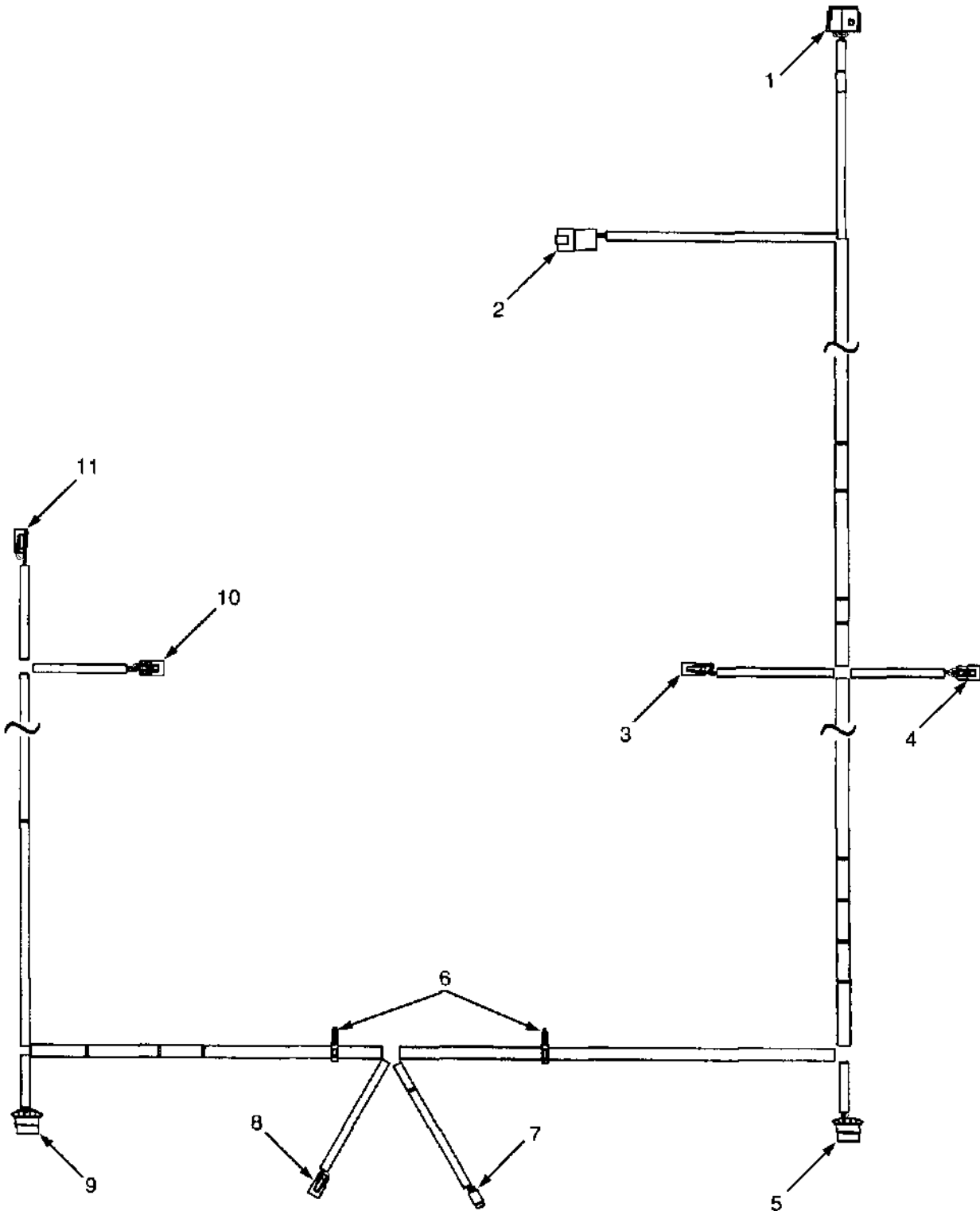


HP081570

**WIRE HARNESS
TRANSMISSION
SINGLE SPEED**

ITEM	PART NO.	DESCRIPTION	QTY
	2070731	Wire Harness (Transmission)	1
1	1500919	Connector (To Chassis)	1
1	1330437	Terminal (Pin)	14
1	1330439	Plug	9
2	1402813	Clip	1
3	1490242	Connector (Forward Clutch 1)	1
3	1330438	Socket (Terminal)	2
3	1490243	Secondary Lock	1
4	1402815	Clip	3
5	1327957	Connector (Forward Pressure 1)	1
5	1532571	Terminal	3
6	1490242	Connector (Reverse Clutch 1)	1
6	1330438	Socket (Terminal)	2
6	1490243	Secondary Lock	1
7	1546673	Connector (Shaft RPM)	1
7	1323576	Terminal	3
8	1327957	Connector (Reverse Pressure 1)	1
8	1532571	Terminal	3
9	1558156	Connector (Tail Shaft RPM)	1
9	1323576	Terminal	4
10	1490242	Connector (Transmission Check Valve)	1
10	1490243	Secondary Lock	1
10	1330438	Socket (Terminal)	2
11	1402868	Connector (Transmission Temperature)	1
11	1323576	Terminal	2
12	1509888	Clip	2

WIRE HARNESS (Figure 4-22) LIGHTS



BP080332

**WIRE HARNESS
LIGHTS**

ITEM	PART NO.	DESCRIPTION	QTY
	2074737	Wire Harness	1
1	Connector Assembly (Vehicle System Mangement)	1
1	1525566	Connector	1
1	1500913	Secondary Lock	1
1	1330438	Socket (Terminal)	5
1	1330439	Plug	7
2	Connector Assembly (Chassis Harness).....	1
2	1514597	Connector	1
2	1514598	Secondary Lock	1
2	1484709	Terminal (Pin)	4
3	Connector Assembly (RH Front Work Light)	1
3	1490242	Connector	1
3	1490243	Secondary Lock	1
3	1363886	Socket	2
4	Connector Assembly (RH Front Signal Light).....	1
4	1484397	Housing (3-Way)	1
4	1463194	Secondary Lock	1
4	1330438	Socket (Terminal)	3
5	Connector Assembly (RH Rear Signal).....	1
5	1531486	Connector	1
5	930591	Lock	1
5	1330355	Terminal	5
5	1330356	Seal	1
5	1482668	Plug	1
5	1476108	Seal	4
6	1509890	Clip	2
7	Connector Assembly (Strobe Light)	1
7	1484557	Housing (Socket).....	1
7	1484558	Retainer (Socket)	1
7	1463139	Terminal	2
8	Connector Assembly (Rear Work Light).....	1
8	1490242	Connector	1
8	1490243	Secondary Lock	1
8	1363886	Socket	2
9	Connector Assembly (LH Rear Signal Light).....	1
9	1531486	Connector	1
9	930591	Lock	1
9	1330355	Terminal	5
9	1330356	Seal	1
9	1482668	Plug	1
9	1476108	Seal	4
10	Connector Assembly (LH Front Signal Light)	1
10	1484397	Housing (3-Way)	1
10	1463194	Secondary Lock	1
10	1330438	Socket (Terminal)	3
11	Connector Assembly (LH Front Work Light).....	1
11	1490242	Connector	1
11	1490243	Secondary Lock	1
11	1363886	Socket	2