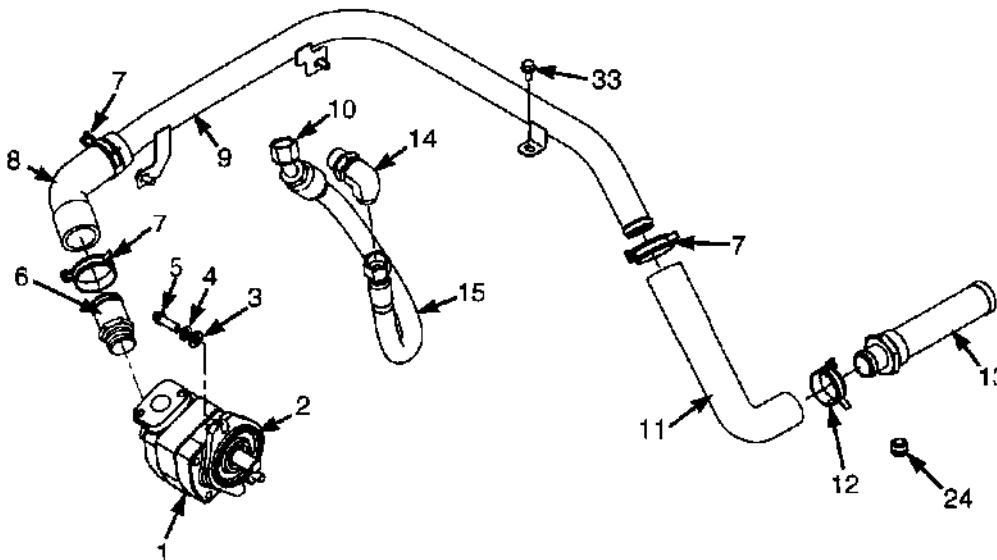
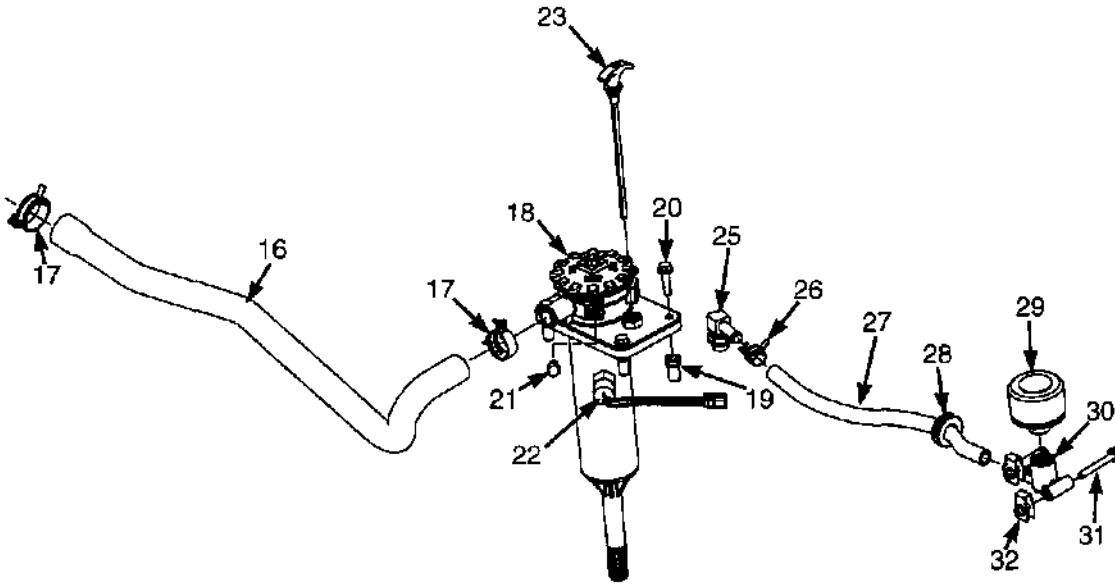


HYDRAULIC SUPPLY AND RETURN (Figure 9-1)

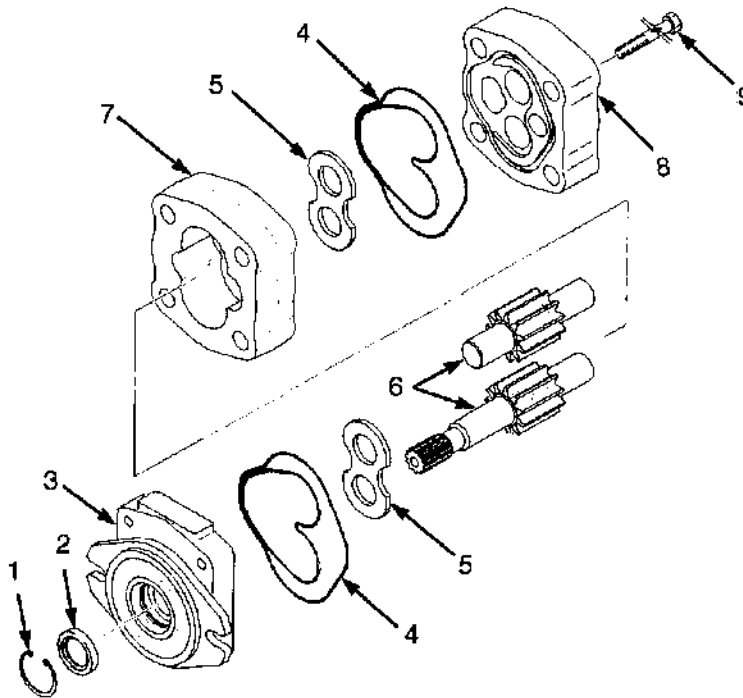


BP150094

HYDRAULIC SUPPLY AND RETURN

ITEM	PART NO.	DESCRIPTION	QTY
1	2067800	Gear Pump (Mazda 2.0L) (☞ Figure 9-2)	1
1	2067802	Gear Pump (Yanmar 2.6L Diesel)	1
2	264159	Adhesive	AR
3	320159	Washer	2
4	292682	Lockwasher	2
5	1564515	Capscrew	2
6	1568199	Adapter	1
7	1501992	Clamp	2
8	2069005	Hose (Pump Suction)	1
9	2068947	Tube (Suction)	1
10	1516205	Fitting	1
11	2061778	Hose (Tank Suction)	1
12	1527982	Clamp	1
13	1526186	Strainer	1
14	1487069	Fitting	1
15	2074969	Hose	1
16	2067452	Hose (Three Function)	1
16	2067453	Hose (Four Function)	1
17	369804	Clamp	2
18	1544975	Filter Assembly (☞ Figure 9-4)	1
19	1529065	Insert	4
20	1586627	Capscrew	4
21	14591	Fitting	1
22	2068337	Pressure Switch	1
23	2060808	Dipstick	1
24	1528481	Plug	1
25	222510	Fitting	1
26	1502007	Clamp	1
27	127918	Hose	1
28	1527395	Grommet	1
29	1582161	Breather	1
30	1582160	Adapter (Breather)	1
31	1510116	Capscrew	2
32	1393879	Clip Nut	2
33	1527879	Capscrew	3

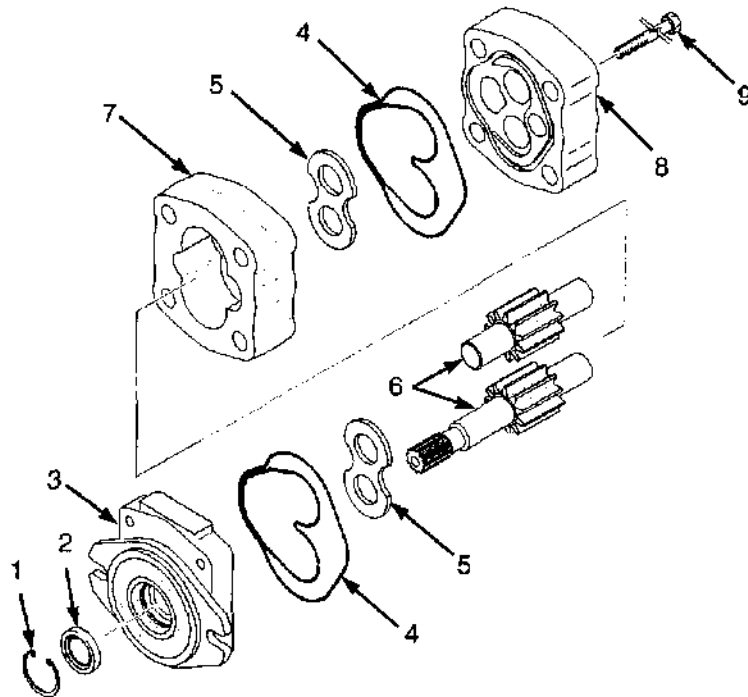
GEAR PUMP (Figure 9-2) MAZDA 2.0L



BP1500983

ITEM	PART NO.	DESCRIPTION	QTY
	2067800	Gear Pump	1
1	Snap Ring.....	1
2	Oil Seal.....	1
3	1581536	Flange Mounting.....	1
4	Seal Plate and Back-Up Ring.....	2
5	1578673	Side Plate.....	2
6	1581537	Gear Set.....	1
7	Gear Plate.....	1
8	1581535	Cover.....	1
9	1578671	Screw.....	4
	1578672	Dowel Pin (Not illustrated).....	4
	1465140	Seal Kit (includes Items 1-2, 4).....	1

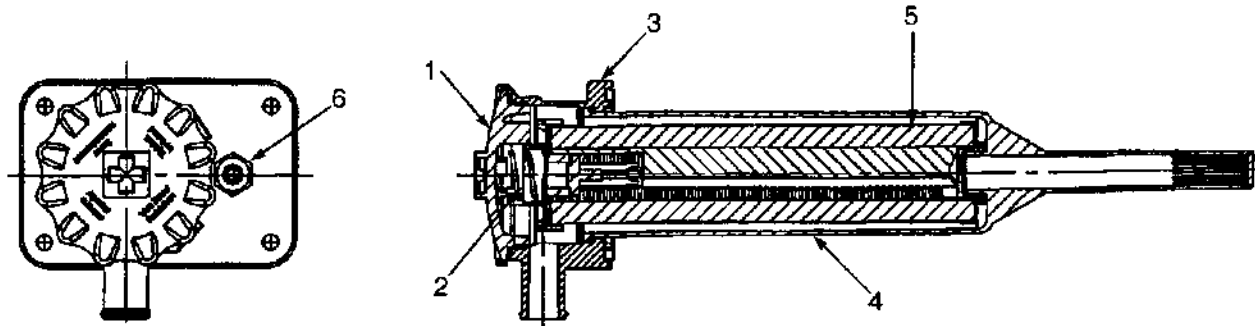
**GEAR PUMP (Figure 9-3)
YANMAR DIESEL**



BP150083

ITEM	PART NO.	DESCRIPTION	QTY
	2067802	Gear Pump	1
1	Snap Ring.....	1
2	Oil Seal.....	1
3	1581536	Flange Mounting.....	1
4	Seal Plate and Back-Up Ring.....	2
5	1578673	Side Plate.....	2
6	1581534	Gear Set.....	1
7	Gear Plate.....	1
8	1581535	Cover.....	1
9	1578693	Screw.....	4
	1578672	Dowel Pin (Not illustrated).....	4
	1465140	Seal Kit (Includes Items 1-2, 4).....	1

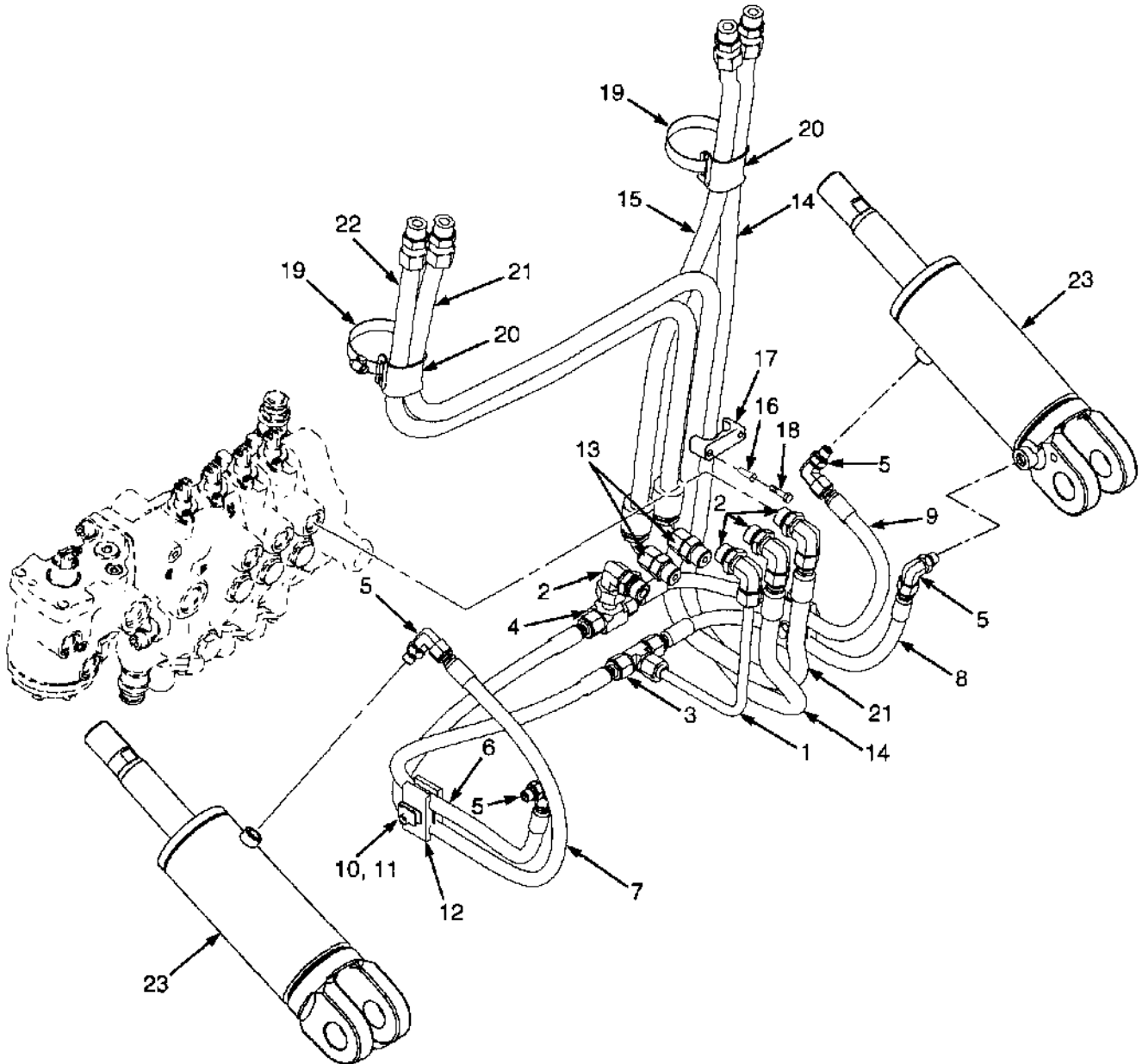
HYDRAULIC FILTER (Figure 9-4)



BP150096

ITEM	PART NO.	DESCRIPTION	QTY
	1544975	Filter Assembly	1
1	1570338	Filter Lid.....	1
1	Gasket.....	1
2	1570340	Spring.....	1
3	1570342	Filter Head.....	1
3	209457	Quad Ring.....	1
3	14591	Fitting	1
3	16481	O-Ring	1
4	1570346	Filter Canister	1
4	O-Ring.....	1
5	2070611	Element	1
5	O-Ring.....	1
6	1568182	Dipstick Assembly	1
6	O-Ring.....	1
	1570337	Seal Kit (Includes Items 1, 3-6).....	1

TILT AND AUXILIARY HOSES (Figure 9-5)

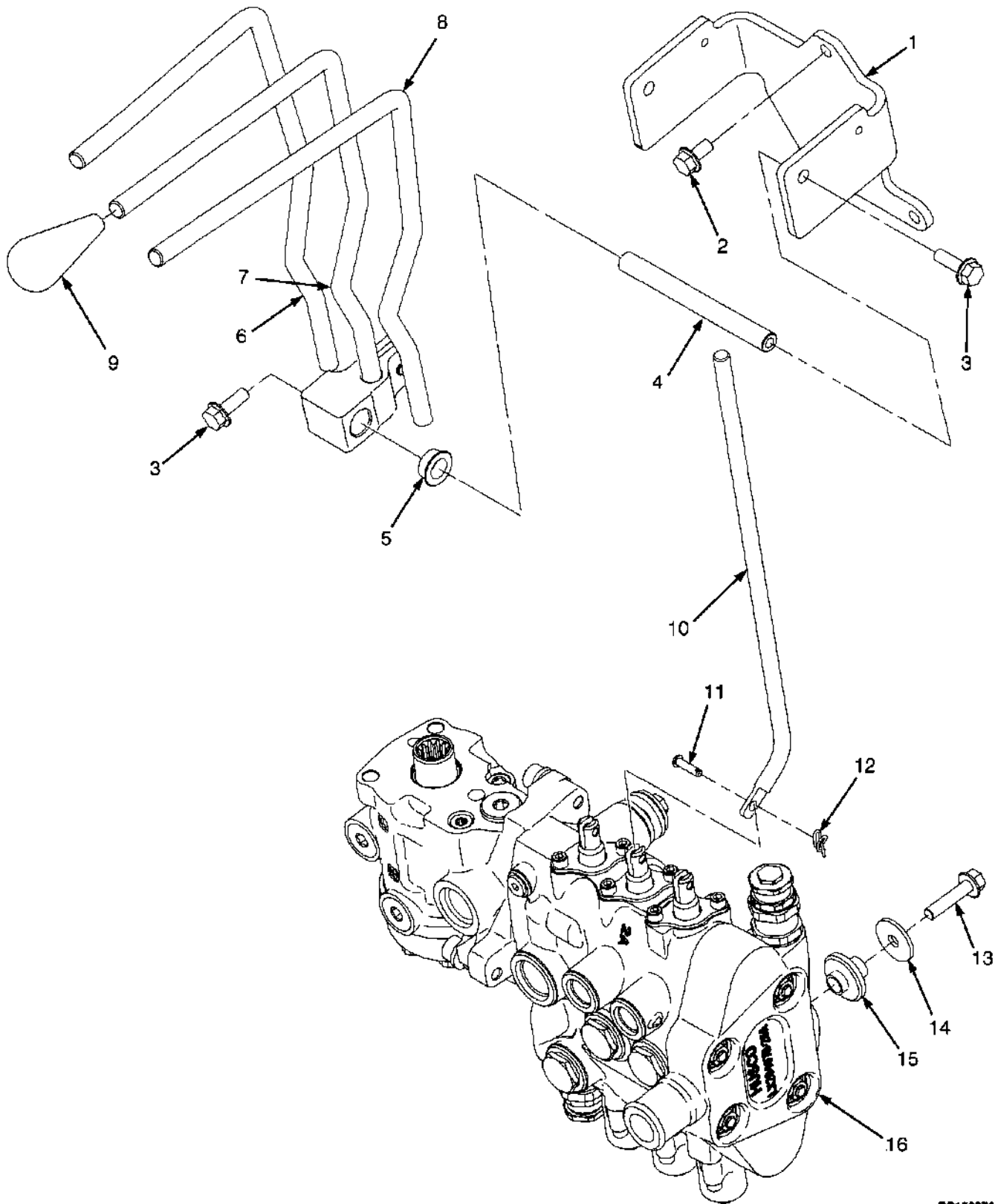


BP150074

TILT AND AUXILIARY HOSES**KEY:****A: Three Function****B: Four Function**

ITEM	PART NO.	DESCRIPTION	QTY	
			A	B
1	2066045	Tube	1	..
2	1487061	Fitting	3	4
2	1527816	O-Ring	1	1
2	16484	O-Ring	1	1
3	1522425	Fitting	1	..
4	1488464	Fitting	1	..
5	1487058	Fitting	4	..
6	2075277	Hose	1	..
7	2066041	Hose	1	..
8	2066782	Hose	1	..
9	2066783	Hose	1	..
10	1480237	Clip Nut	2	..
11	1586627	Capscrew	2	..
12	1359620	Clamp	2	..
13	1486742	Fitting	1	1
14	2073495	Hose	1	..
15	2065051	Hose	1	..
16	1531558	Insert	2	..
17	1360386	Clamp	1	..
18	293796	Capscrew	2	..
19	1477996	Clamp	1	1
20	1481229	Clamp	1	1
21	2073496	Hose	1
22	2065052	Hose	1
23	Tilt Cylinder (RH) (US [®] Figure 9-22)	1	1
23	Tilt Cylinder (LH) (US [®] Figure 9-23)	1	1

HAND LEVERS (Figure 9-6) THREE FUNCTION WITHOUT DETENTED LEVERS

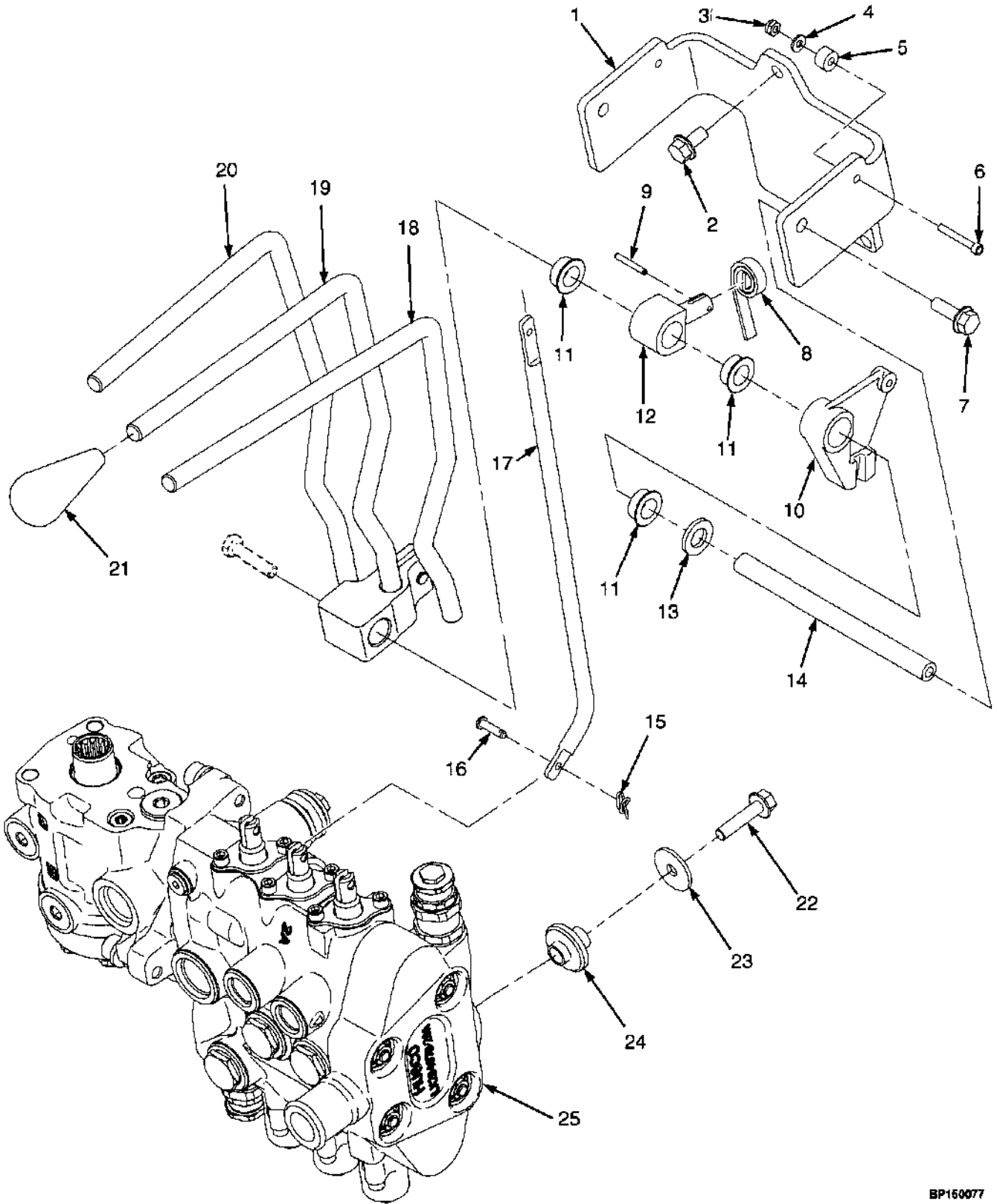


BP150076

**HAND LEVERS
THREE FUNCTION
WITHOUT DETENTED LEVERS**

ITEM	PART NO.	DESCRIPTION	QTY
1	1561162	Bracket.....	1
2	1527879	Capscrew.....	3
3	1583611	Capscrew.....	2
4	1528327	Pivot Shaft.....	1
5	1564747	Bushing.....	6
6	1517356	Hand Lever (Lift).....	1
7	1517357	Hand Lever (Tilt).....	1
8	1517358	Hand Lever (Auxiliary One).....	1
9	1517395	Knob.....	3
10	1517394	Link.....	3
11	309109	Rod End Pin.....	6
12	1517361	Cotter Pin.....	6
13	1586627	Capscrew.....	3
14	1346752	Washer.....	3
15	2063991	Isolator.....	3
16	2064892	Control Valve Assembly (Manual) (See Figure 9-10).....	1

HAND LEVERS (Figure 9-7) THREE FUNCTION WITH DETENTED LEVERS

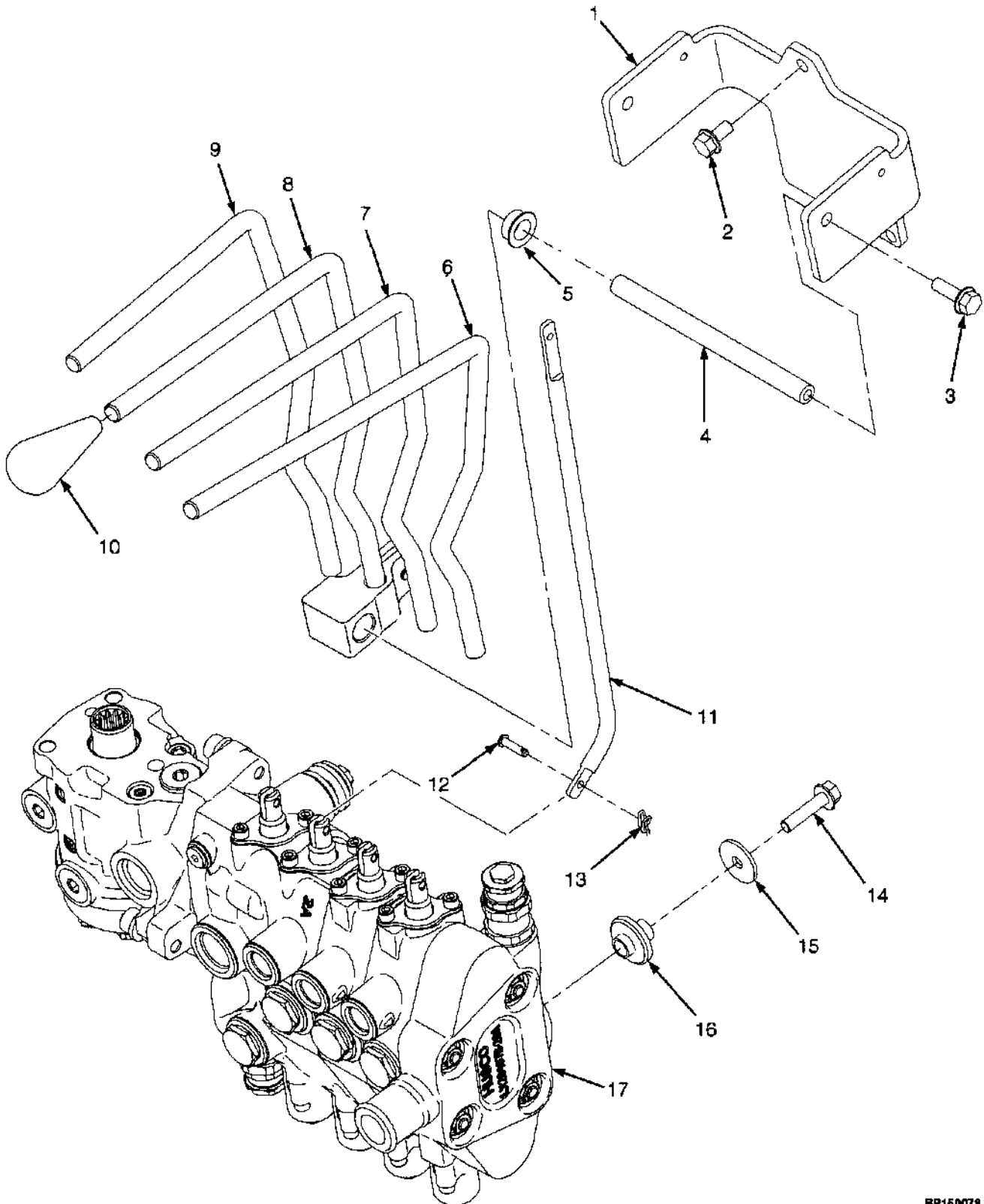


BP160077

HAND LEVERS THREE FUNCTION WITH DETENTED LEVERS

ITEM	PART NO.	DESCRIPTION	QTY
1	1561163	Bracket.....	1
2	1527879	Capscrew.....	3
3	230881	Nut.....	1
4	197066	Washer.....	2
5	1528339	Spacer.....	1
6	18086	Capscrew.....	1
7	1510113	Capscrew.....	2
8	175861	Spring.....	1
9	302428	Pin.....	1
10	1542546	Lever.....	2
11	1564747	Bushing.....	10
12	306113	Pin (Selector).....	1
13	320161	Washer.....	2
14	1528328	Pivot Shaft.....	1
15	1517361	Cotter Pin.....	6
16	309109	Rod End Pin.....	6
17	1517394	Link.....	3
18	1517379	Hand Lever (Auxiliary 1 and 2).....	1
19	1517357	Hand Lever (Tilt).....	1
20	1517356	Hand Lever (Lift).....	1
21	1517395	Knob.....	3
22	1586629	Capscrew.....	3
23	1346752	Washer.....	3
24	2063991	Isolator.....	3
25	2064892	Control Valve Assembly (Manual) (See Figure 9-10).....	1

HAND LEVERS (Figure 9-8) FOUR FUNCTION WITHOUT DETENTED LEVERS

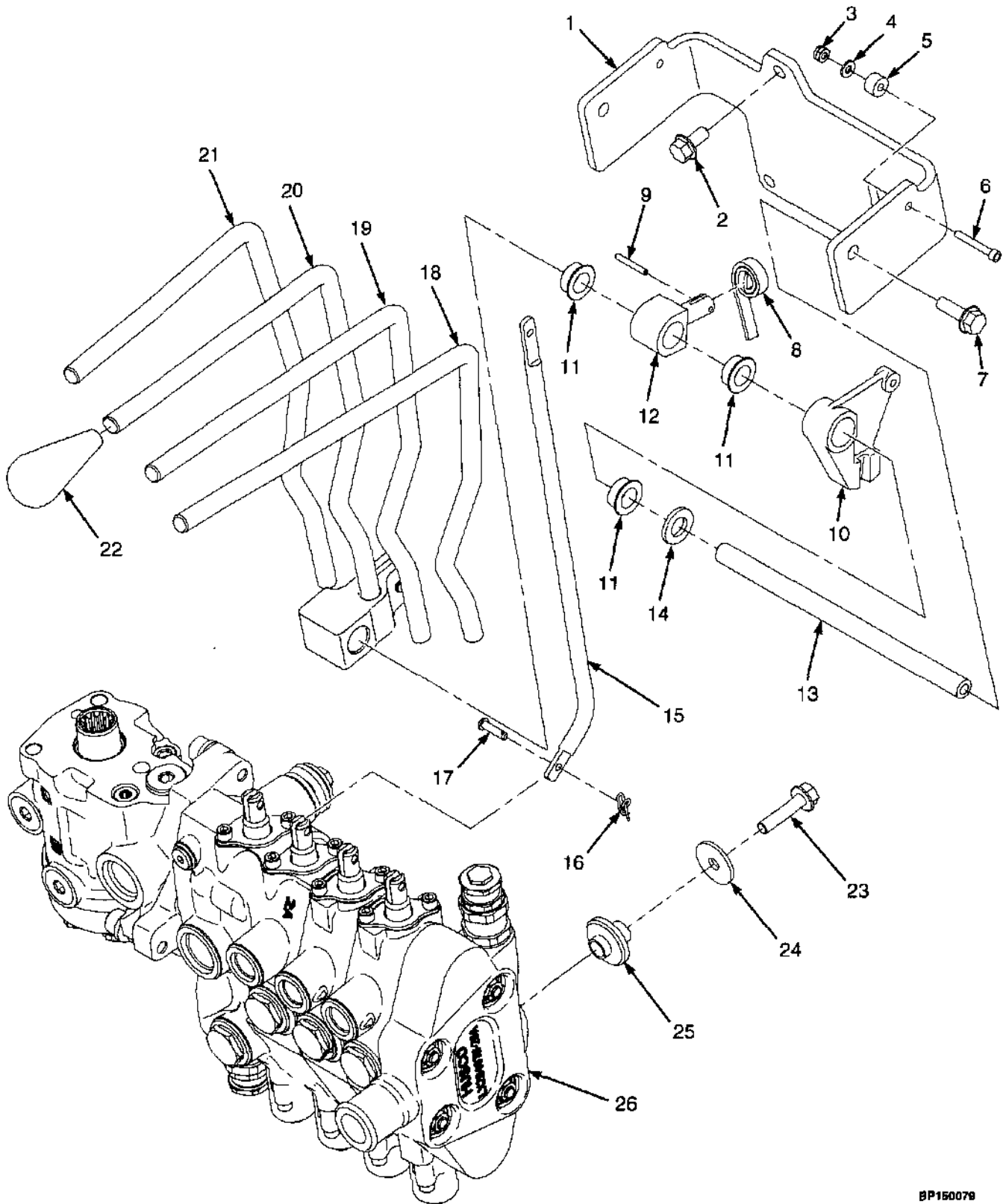


BP150078

**HAND LEVERS
FOUR FUNCTION
WITHOUT DETENTED LEVERS**

ITEM	PART NO.	DESCRIPTION	QTY
1	1561163	Bracket.....	1
2	1527879	Capscrew.....	3
3	1583611	Capscrew.....	2
4	1528328	Pivot Shaft.....	1
5	1564747	Bushing.....	8
6	1517359	Hand Lever (Auxiliary Two).....	1
7	1517358	Hand Lever (Auxiliary One).....	1
8	1517357	Hand Lever (Tilt).....	1
9	1517356	Hand Lever (Lift).....	1
10	1517395	Knob.....	4
11	1517394	Link.....	4
12	309109	Rod End Pin.....	8
13	1517361	Cotter Pin.....	8
14	1586627	Capscrew.....	3
15	1346752	Washer.....	3
16	2063991	Isolator.....	3
17	2064893	Control Valve Assembly (Manual) (see Figure 9-10).....	1

HAND LEVERS (Figure 9-9) FOUR FUNCTION WITH DETENTED LEVERS

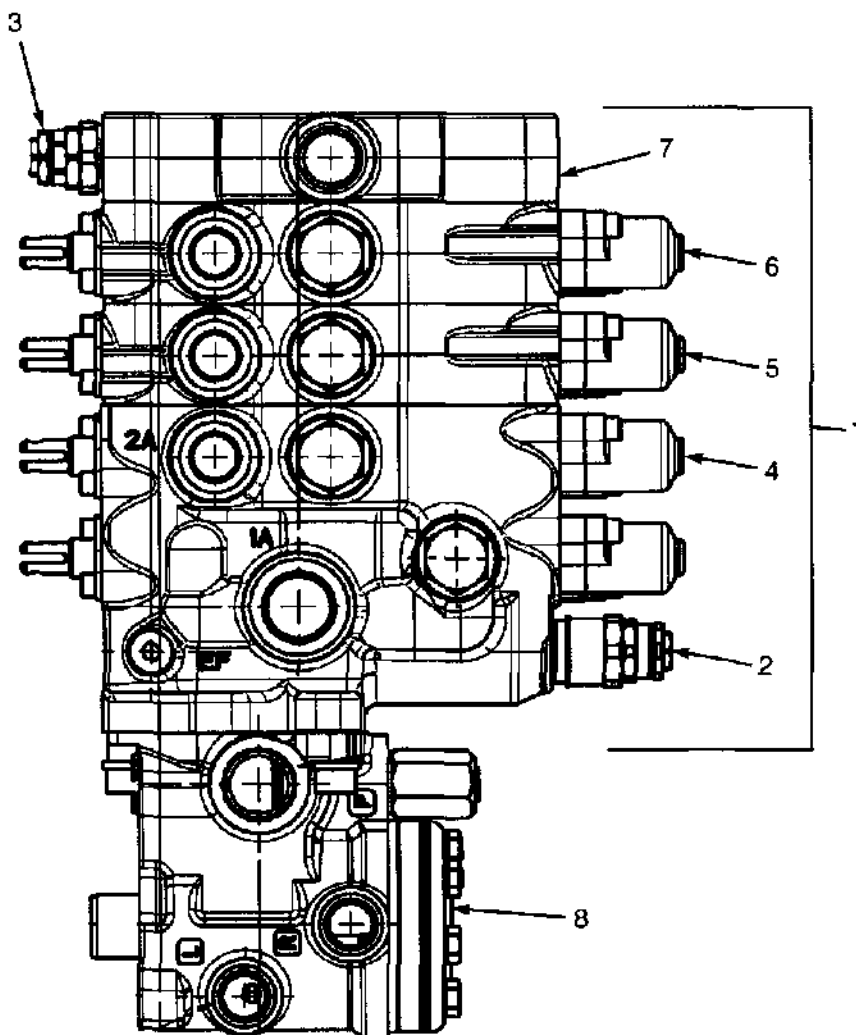


BP150079

HAND LEVERS FOUR FUNCTION WITH DETENTED LEVERS

ITEM	PART NO.	DESCRIPTION	QTY
1	1561164	Bracket.....	1
2	1527879	Capscrew.....	3
3	230881	Nut.....	1
4	197066	Washer.....	2
5	1528339	Spacer.....	1
6	18086	Capscrew.....	1
7	1583611	Capscrew.....	2
8	175861	Spring.....	1
9	302428	Pin.....	1
10	1542546	Lever.....	2
11	1564747	Bushing.....	12
12	306113	Pin (Selector).....	1
13	1528329	Pivot Shaft.....	1
14	320161	Washer.....	2
15	1517394	Link.....	4
16	1517361	Cotter Pin.....	8
17	309109	Rod End Pin.....	8
18	1517378	Hand Lever (Auxiliary 2 and 3).....	1
19	1517358	Hand Lever (Auxiliary One).....	1
20	1517357	Hand Lever (Tilt).....	1
21	1517356	Hand Lever (Lift).....	1
22	1517395	Knob.....	4
23	1586627	Capscrew.....	3
24	1346752	Washer.....	3
25	2063991	Isolator.....	3
26	2064893	Control Valve Assembly (Manual) (☞ Figure 9-10).....	1

CONTROL VALVE ASSEMBLY (Figure 9-10) MANUAL CONTROL THREE AND FOUR FUNCTION



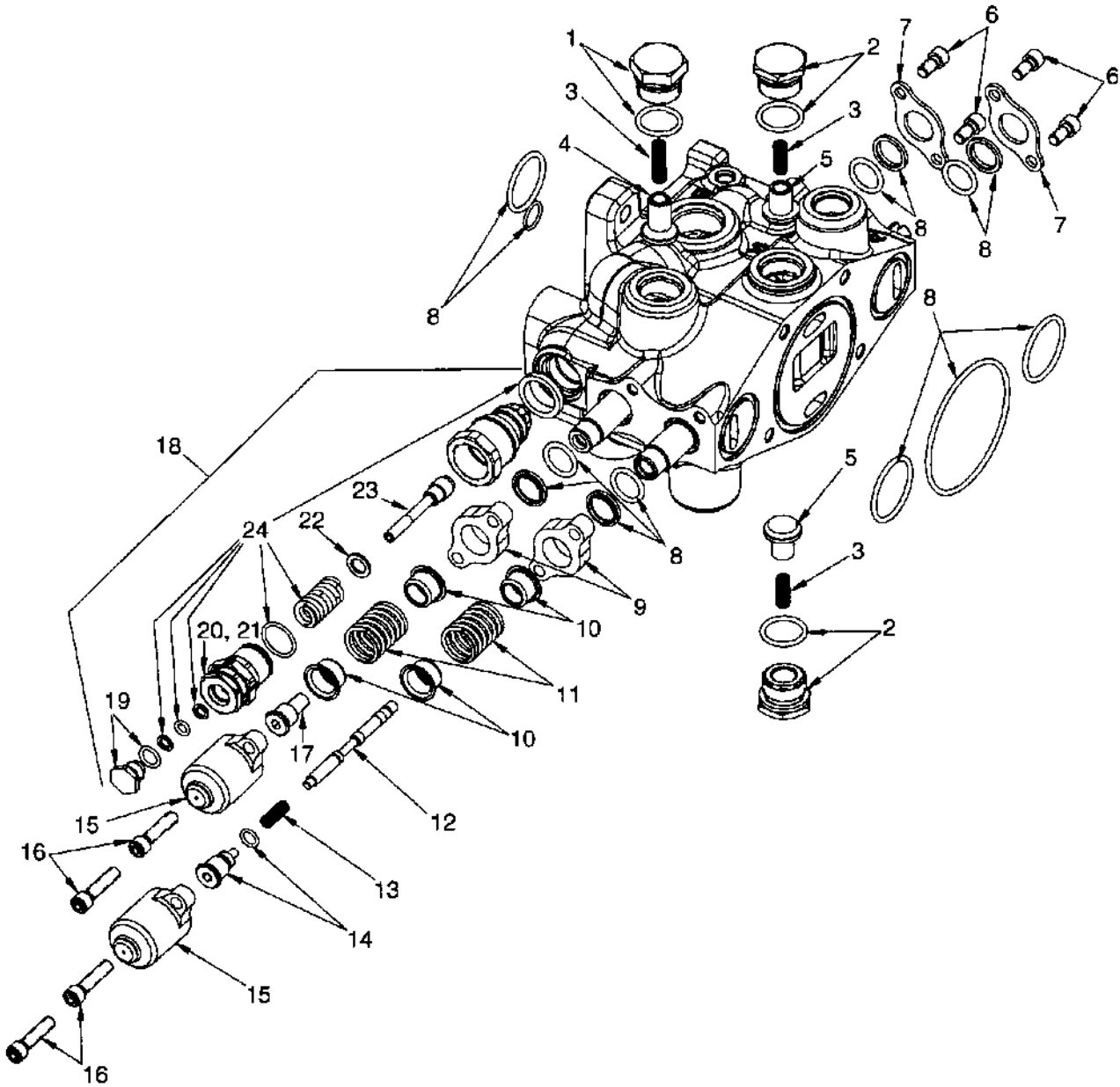
BP140045

CONTROL VALVE ASSEMBLY MANUAL CONTROL THREE AND FOUR FUNCTION

KEY:**A: Three Function****B: Four Function**

ITEM	PART NO.	DESCRIPTION	QTY	
			A	B
	2064892	Control Valve Assembly (Manual).....	1	..
	2064893	Control Valve Assembly (Manual).....	..	1
1	2064883	Hydraulic Control Valve	1	..
1	2064884	Hydraulic Control Valve	1
2	1578816	Relief Valve (2600 PSI Main Relief)	1	1
3	1578707	Valve (Secondary Relief)	1	1
4	1578814	Valve Assembly (Lift And Tilt) (☞ Figure 9-11)	1	1
5	1578744	Auxiliary One Section (☞ Figure 9-12)	1	1
6	1578745	Auxiliary Two Section (☞ Figure 9-12)	1
7	1578746	Outlet Section (☞ Figure 9-13)	1	1
8	2060863	Steering Control Unit (☞ Figure 7-3)	1	1
	1580146	Seal Kit (Three Function)	1	1
	1580148	Seal Kit (Four Function)	1

VALVE ASSEMBLY, LIFT AND TILT (Figure 9-11) MANUAL CONTROL VALVE THREE AND FOUR FUNCTION

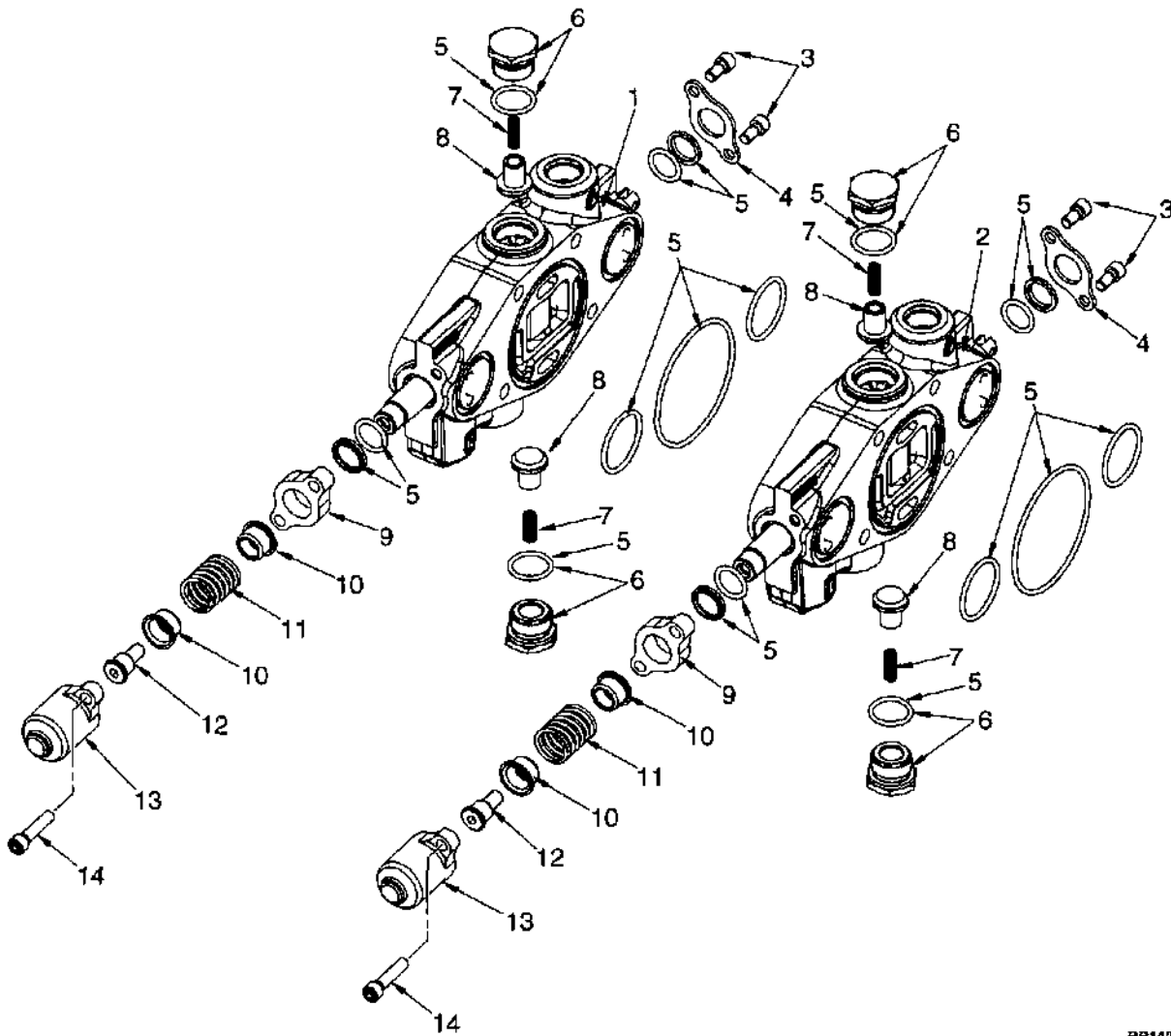


BP140048

**VALVE ASSEMBLY, LIFT AND TILT
MANUAL CONTROL VALVE
THREE AND FOUR FUNCTION**

ITEM	PART NO.	DESCRIPTION	QTY
	1578814	Valve Assembly (Lift And Tilt)	1
1	1578713	Plug Set	1
2	1578940	Plug	2
3	77442	Spring	3
4	1578943	Poppet	1
5	77443	Poppet	2
6	16706	Screw	4
7	188515	Seal Plate	2
8	1580133	Seal Kit	1
9	1560682	Seal Plate	2
10	320289	Spring Seat	2
11	1581860	Spring	2
12	1581861	Piston	2
13	341462	Spring	1
14	386015	Spool End	1
15	1560681	Cap	2
16	1578705	Capscrew	4
17	1581859	Spool End	1
18	1578816	Relief Valve (2600 PSI Main Relief)	1
18	1578748	Relief Valve (3400 PSI Main Relief)	1
19	Plug	1
20	Adjusting Screw	1
21	Nut (Special)	1
22	Washer	1
23	Poppet	1
24	1580097	Seal and Spring Kit	1

AUXILIARY SECTIONS, ONE AND TWO (Figure 9-12) MANUAL CONTROL VALVE THREE AND FOUR FUNCTION



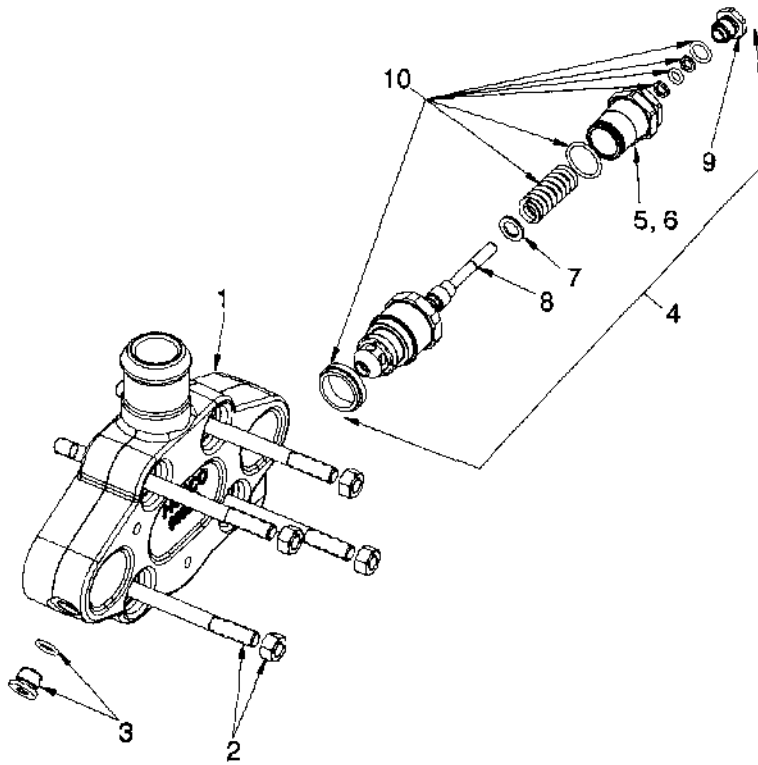
BP140047

**AUXILIARY SECTIONS, ONE AND TWO
MANUAL CONTROL VALVE
THREE AND FOUR FUNCTION**

KEY:**A: 3 Function****B: 4 Function**

ITEM	PART NO.	DESCRIPTION	QTY	
			A	B
1	1578744	Auxiliary One Section	1	1
2	1578745	Auxiliary Two Section	1
3	16706	Screw	2	2
4	188515	Seal Plate	1	1
5	1580147	Seal Kit	1	1
6	1578713	Plug Set	2	2
7	77442	Spring	2	2
8	77443	Poppet	2	2
9	Seal Plate	1	1
10	320289	Spring Seat	1	1
11	1581860	Spring	1	1
12	1581859	Spool End	1	1
13	1560681	Cap	1	1
14	1578705	Capscrew	2	2

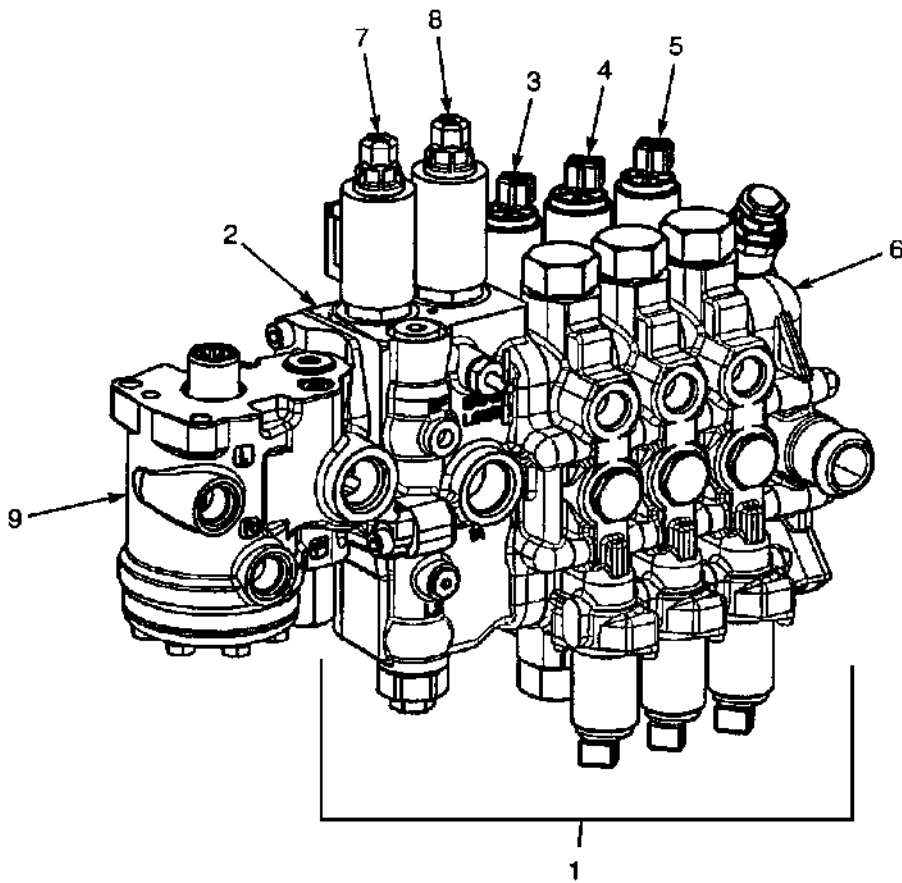
OUTLET SECTION (Figure 9-13) MANUAL CONTROL VALVE THREE AND FOUR FUNCTION



BP140048

ITEM	PART NO.	DESCRIPTION	QTY
1	1578746	Outlet Section	1
2	1580155	Tie Rod Kit (Three Function)	1
2	1580156	Tie Rod Kit (Four Function)	1
3	1578712	Plug Assembly	1
4	1578707	Valve (Secondary Relief)	1
5	Nut	1
6	Screw	1
7	Washer	1
8	Poppet	1
9	Plug	1
10	1580131	Seal and Spring Kit	1

CONTROL VALVE ASSEMBLY (Figure 9-14) ELECTRONIC CONTROL THREE AND FOUR FUNCTION



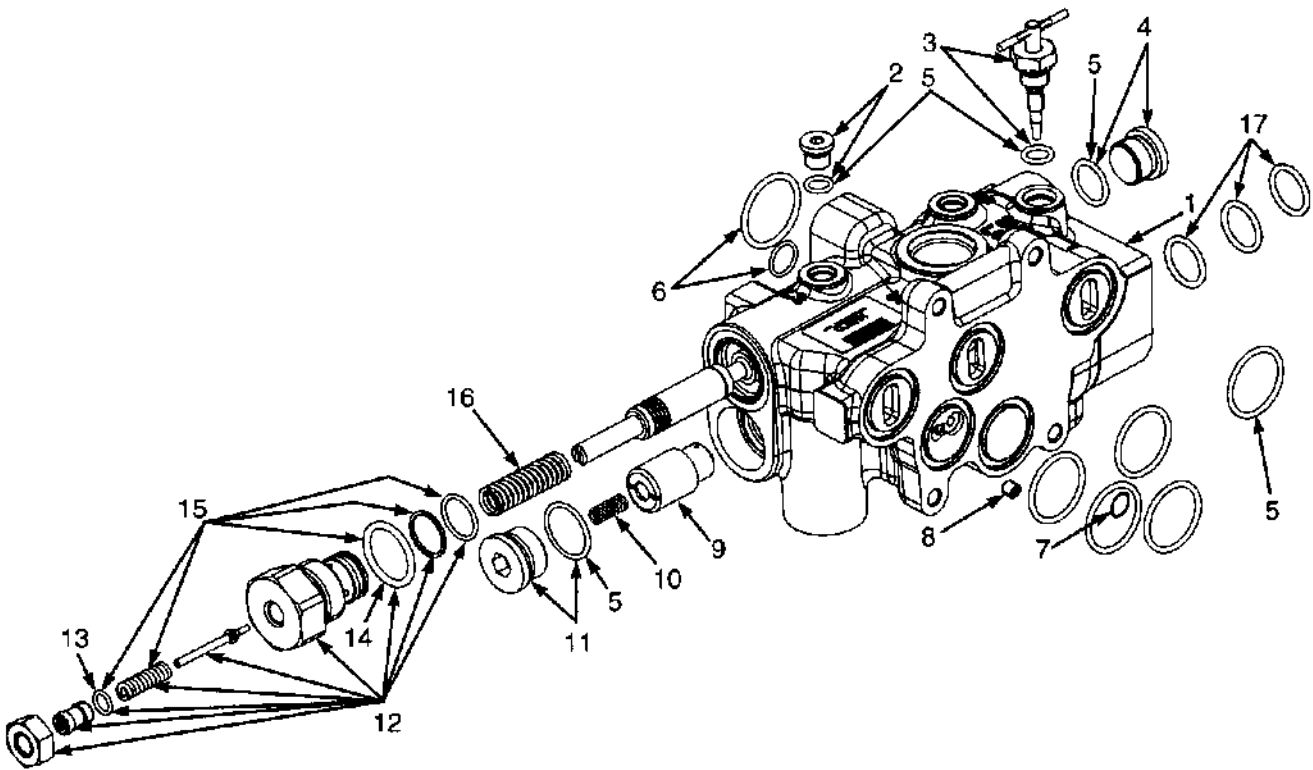
BP140953

CONTROL VALVE ASSEMBLY ELECTRONIC CONTROL THREE AND FOUR FUNCTION

KEY:**A:** Three Function**B:** Four Function

ITEM	PART NO.	DESCRIPTION	QTY	
			A	B
	2064844	Control Valve Assembly (Electronic).....	1	..
	2064856	Control Valve Assembly (Electronic).....	..	1
1	2064827	Hydraulic Control Valve	1	..
1	2064855	Hydraulic Control Valve	1
2	1594426	Valve Assembly (Lift And Lower) (☞ Figure 9-15)	1	1
3	1594427	Tilt Section (☞ Figure 9-16)	1	1
4	1578703	Auxiliary One Section (☞ Figure 9-18)	1	1
5	1578741	Auxiliary Two Section (☞ Figure 9-19)	1
6	1578704	Outlet Section (☞ Figure 9-20)	1	1
7	1590113	Poppet Valve Assembly (Lift) (☞ Figure 9-17)	1	1
8	1590114	Poppet Valve Assembly (Lower) (☞ Figure 9-17)	1	1
9	2060863	Steering Control Unit (☞ Figure 7-3)	1	1
	1578911	Seal Kit (Steering Control Unit Interface).....	1	..
	1578908	Seal Kit.....	..	1

VALVE ASSEMBLY, LIFT AND LOWER (Figure 9-15) ELECTRONIC CONTROL VALVE THREE AND FOUR FUNCTION

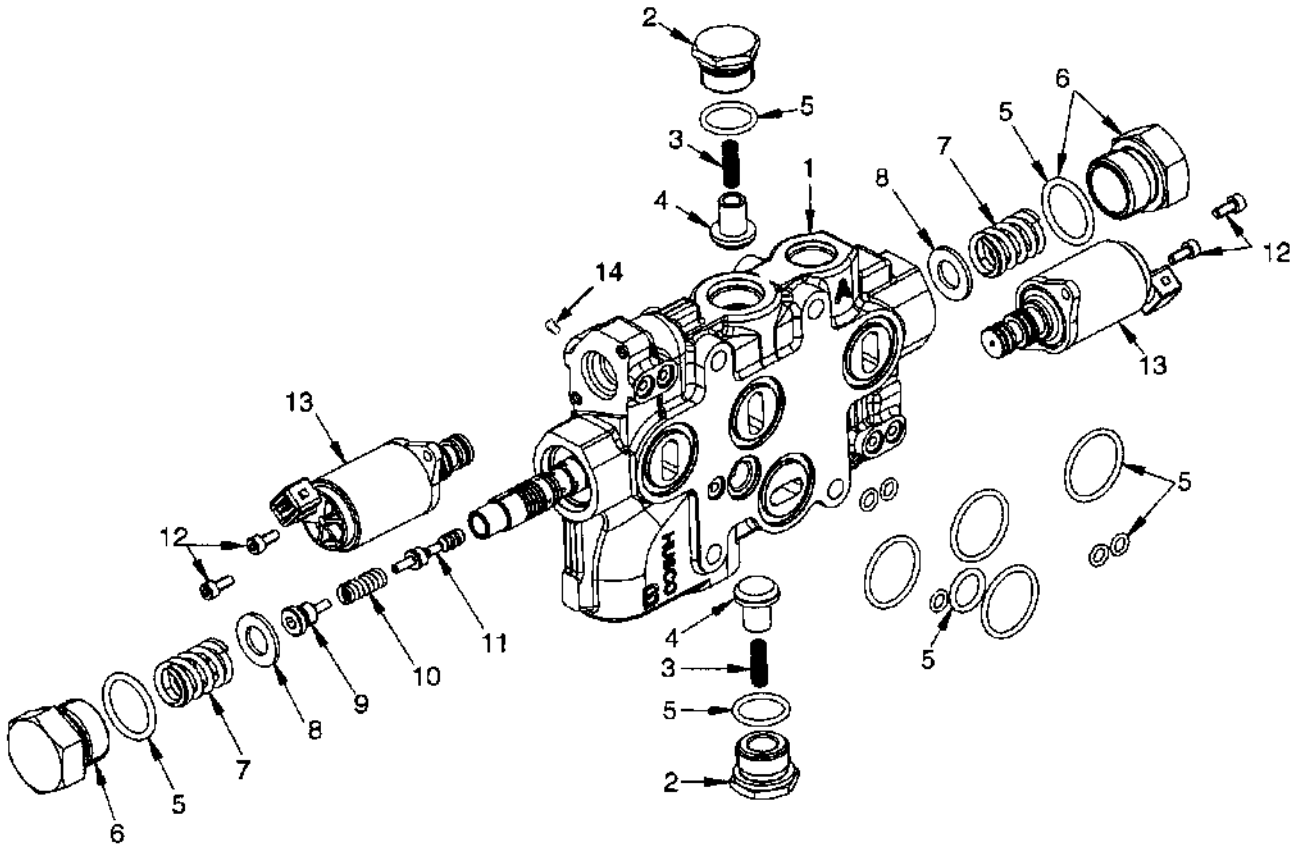


BP140052

**VALVE ASSEMBLY, LIFT AND LOWER
ELECTRONIC CONTROL VALVE
THREE AND FOUR FUNCTION**

ITEM	PART NO.	DESCRIPTION	QTY
1	1594426	Valve Assembly (Lift And Lower)	1
2	1578712	Plug Assembly.....	1
3	1581862	Manual Lower Assembly Kit	1
4	1569602	Plug	1
5	1578904	Seal Kit	1
6	1578911	Seal Kit (Steering Control Unit Interface)	1
7	1578875	Shuttle	1
8	1578888	Set Screw	1
9	1586280	Poppet	1
10	1578876	Spring	1
11	1578714	Plug	1
12	1594428	Relief Valve (Main)	1
12	1580749	Adjusting Screw	1
13	16480	O-Ring.....	1
14	O-Ring.....	1
15	1580132	Seal and Spring Kit.....	1
16	1578881	Spring.....	1
17	1586279	Seal Kit.....	AR
	1580445	Washer (Not Illustrated).....	1

TILT SECTION (Figure 9-16) ELECTRONIC CONTROL THREE AND FOUR FUNCTION

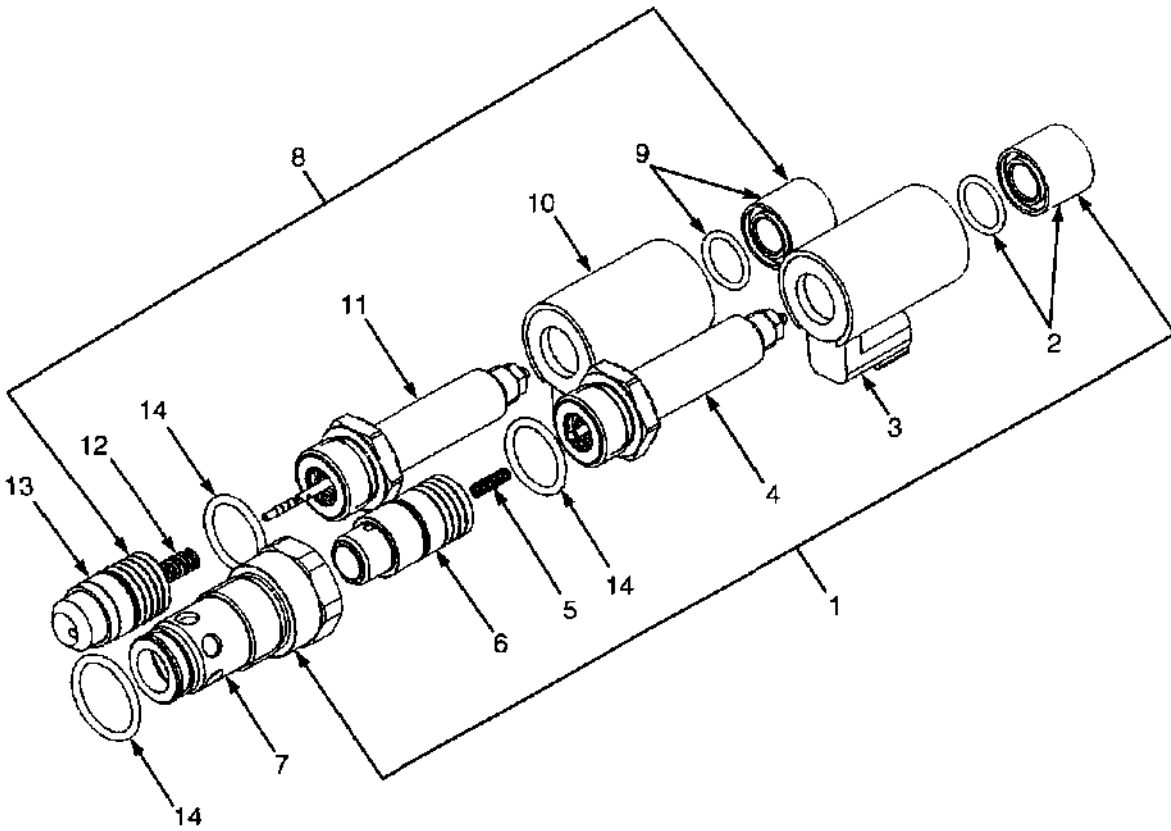


BP140054

**TILT SECTION
ELECTRONIC CONTROL
THREE AND FOUR FUNCTION**

ITEM	PART NO.	DESCRIPTION	QTY
1	1594427	Tilt Section.....	1
2	1578713	Plug Set.....	2
3	77442	Spring.....	2
4	77443	Poppet.....	2
5	1578905	Seal Kit.....	1
6	1578889	Plug Set.....	2
7	1578882	Spring.....	2
8	1578883	Washer.....	2
9	1580760	Spool End.....	1
10	1580759	Spring.....	1
11	1580099	Piston.....	1
12	1578878	Capscrew.....	4
13	1578711	Solenoid.....	2
13	1578912	Seal Kit.....	1
14	1578887	Set Screw.....	1

ELECTRO HYDRAULIC POPPET VALVE (Figure 9-17) ELECTRONIC CONTROL HOIST AND LOWER

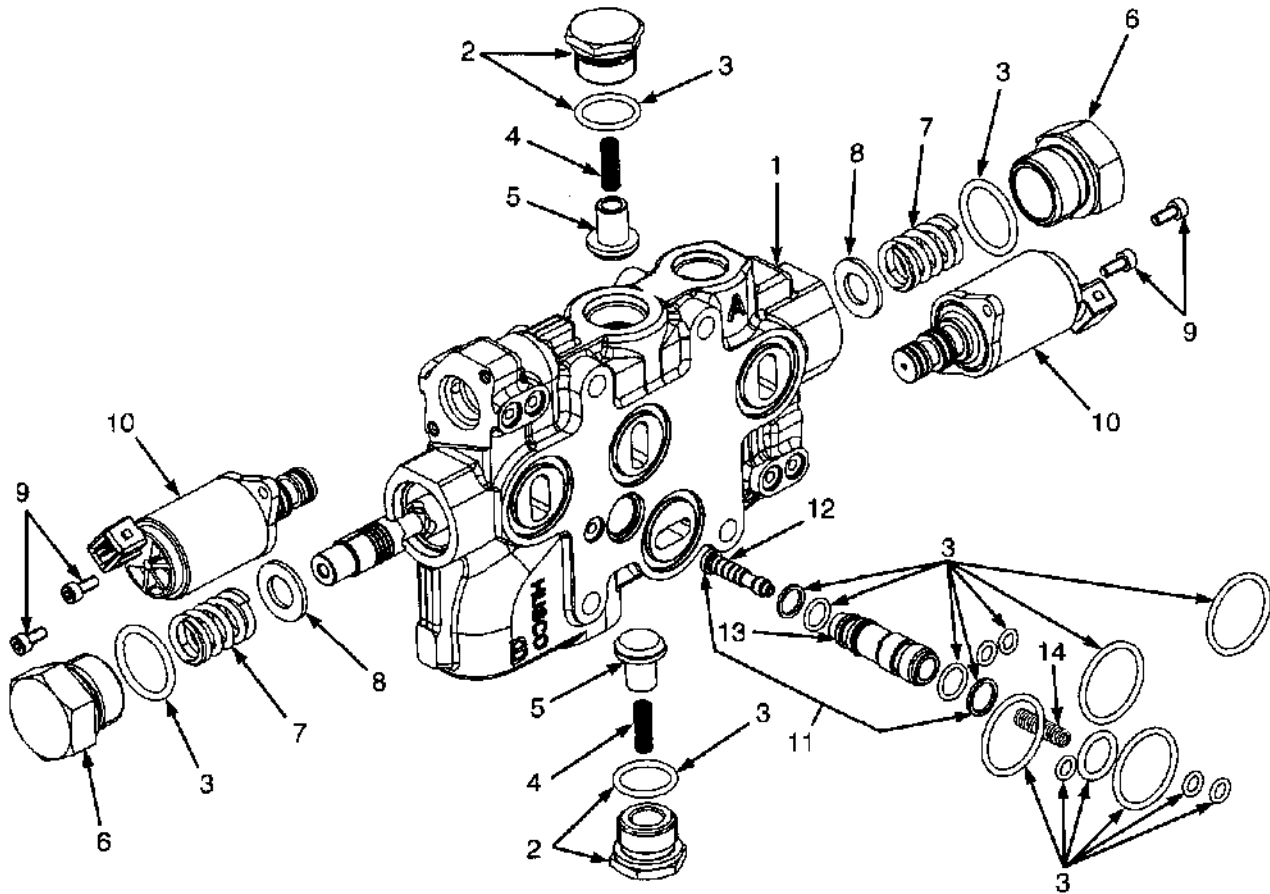


BP140055

**ELECTRO HYDRAULIC POPPET VALVE
ELECTRONIC CONTROL
HOIST AND LOWER**

ITEM	PART NO.	DESCRIPTION	QTY
1	1590114	Poppet Valve Assembly (Lower)	1
2	1586018	Coil Nut.....	1
3	1578710	Coil	1
4	1578918	Tube (Solenoid)	1
5	1578934	Spring	1
6	1586021	Poppet.....	1
7	1586020	Sleeve.....	1
8	1590113	Poppet Valve Assembly (Hoist).....	1
9	1586018	Coil Nut.....	1
10	1578710	Coil	1
11	1586019	Tube (Solenoid)	1
12	1586017	Spring	1
13	1586016	Poppet.....	1
14	1586279	Seal Kit	1

AUXILIARY ONE SECTION (Figure 9-18) ELECTRONIC CONTROL THREE AND FOUR FUNCTION

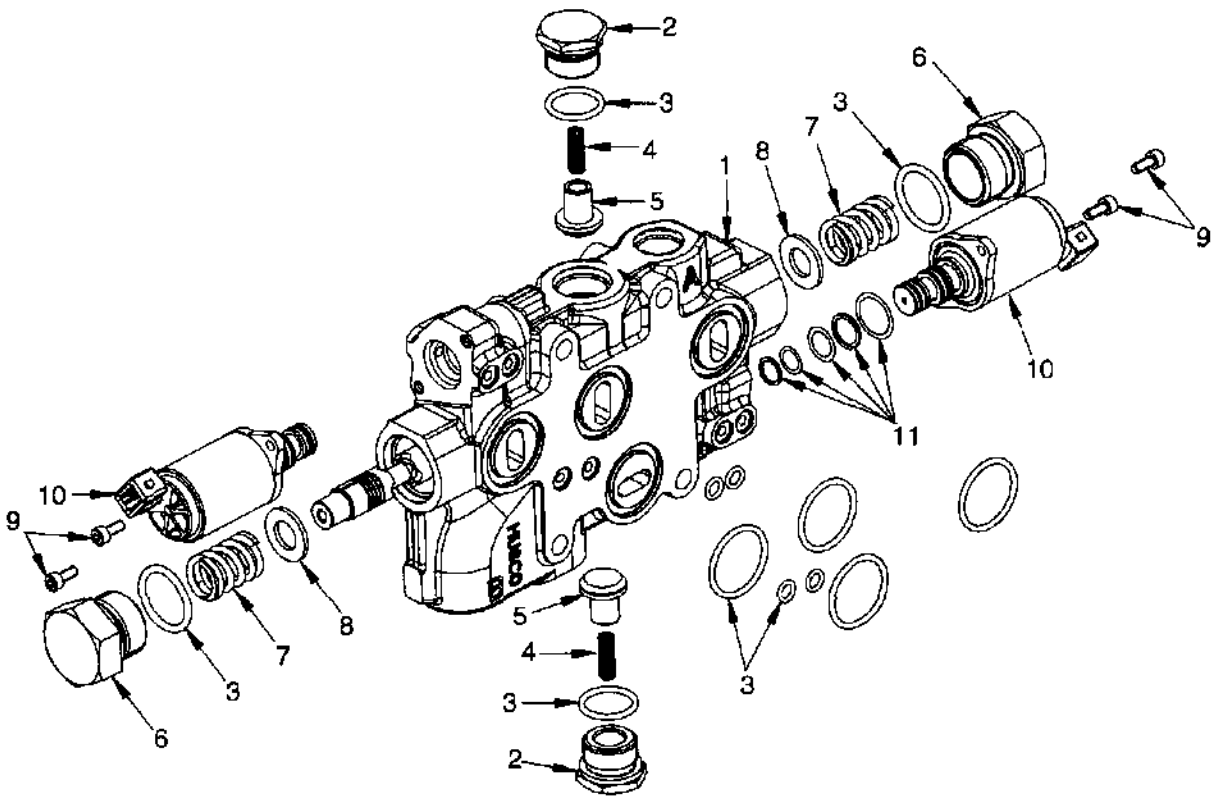


BP140062

**AUXILIARY ONE SECTION
ELECTRONIC CONTROL
THREE AND FOUR FUNCTION**

ITEM	PART NO.	DESCRIPTION	QTY
1	1578703	Auxiliary One Section	1
2	1578713	Plug Set.....	2
3	1578906	Seal Kit (Auxiliary One Section)	1
4	77442	Spring.....	2
5	77443	Poppet	2
6	1578889	Plug Set.....	2
7	1578882	Spring.....	2
8	1578883	Washer	2
9	1578878	Capscrew	4
10	1578711	Solenoid	2
10	1578912	Seal Kit.....	1
11	1578718	Anti-Stall Valve Kit	1
12	Spool.....	1
13	Sleeve	1
14	1578886	Spring.....	1

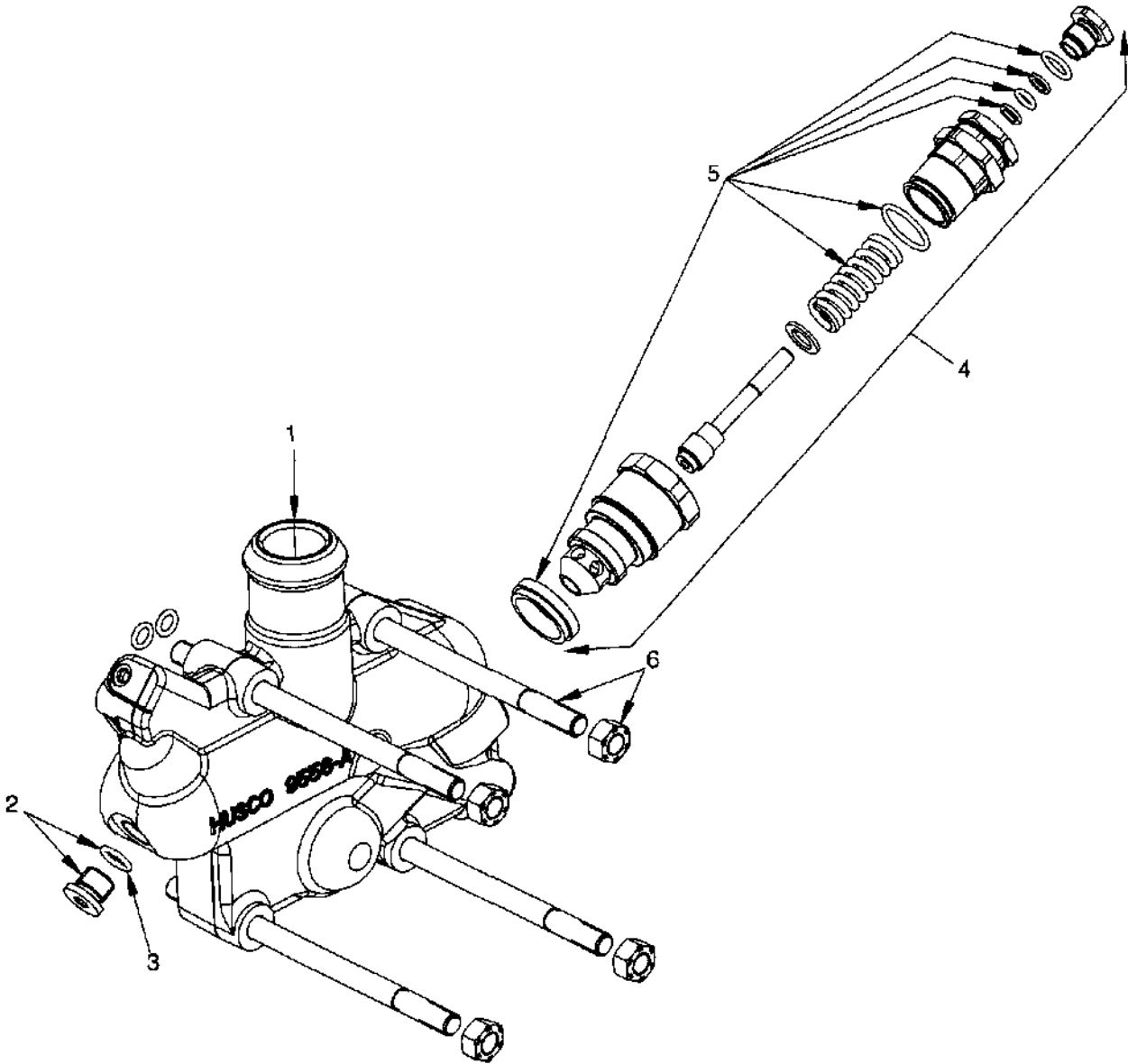
AUXILIARY TWO SECTION (Figure 9-19) ELECTRONIC CONTROL FOUR FUNCTION



**AUXILIARY TWO SECTION
ELECTRONIC CONTROL
FOUR FUNCTION**

ITEM	PART NO.	DESCRIPTION	QTY
1	1578741	Auxiliary Two Section.....	1
2	1578713	Plug Set.....	2
3	1578907	Seal Kit.....	1
4	77442	Spring.....	2
5	77443	Poppet.....	2
6	1578889	Plug Set.....	2
7	1578882	Spring.....	2
8	1578883	Washer.....	2
9	1578878	Capscrew.....	4
10	1578711	Solenoid.....	2
11	1578912	Seal Kit.....	1

OUTLET SECTION (Figure 9-20) ELECTRONIC CONTROL THREE AND FOUR FUNCTION

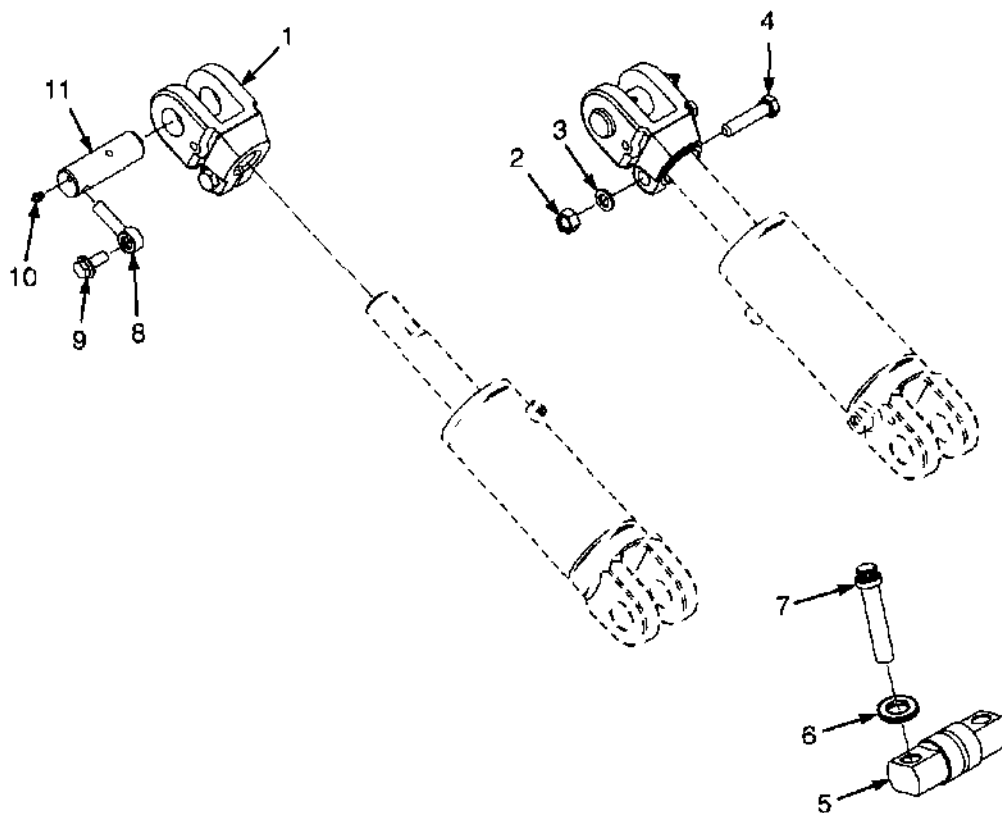


BP140058

**OUTLET SECTION
ELECTRONIC CONTYROL
THREE AND FOUR FUNCTION**

ITEM	PART NO.	DESCRIPTION	QTY
1	1578704	Outlet Section	1
2	1578712	Plug Assembly.....	1
3	1578904	Seal Kit.....	1
4	1578707	Valve (Secondary Relief).....	1
5	1580131	Seal and Spring Kit.....	1
6	1578715	Tie Rod Kit (3 Function).....	1
6	1580151	Tie Rod Kit (4 Function).....	1

MAST INSTALLATION (Figure 9-21)

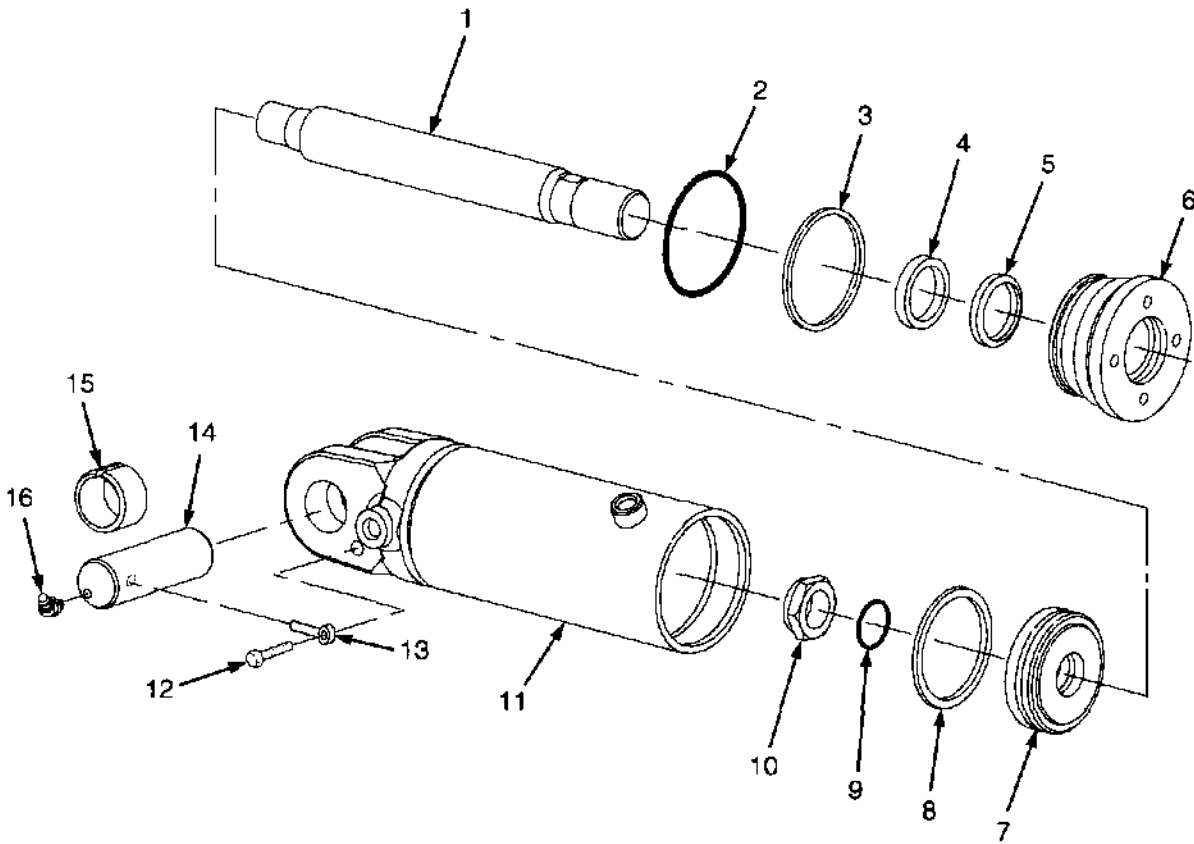


BP140058

MAST INSTALLATION

ITEM	PART NO.	DESCRIPTION	QTY
1	1363260	Rod End.....	2
2	1581848	Nut.....	2
3	1581564	Lockwasher.....	2
4	1597381	Capscrew.....	2
5	1536805	Pin.....	2
6	296422	Washer.....	4
7	1503858	Bolt.....	4
8	1533494	Anchor Pin.....	4
9	1586013	Capscrew.....	4
10	16041	Lube Fitting.....	2
11	1502819	Pin.....	2

TILT CYLINDERS (Figure 9-22) RIGHT HAND

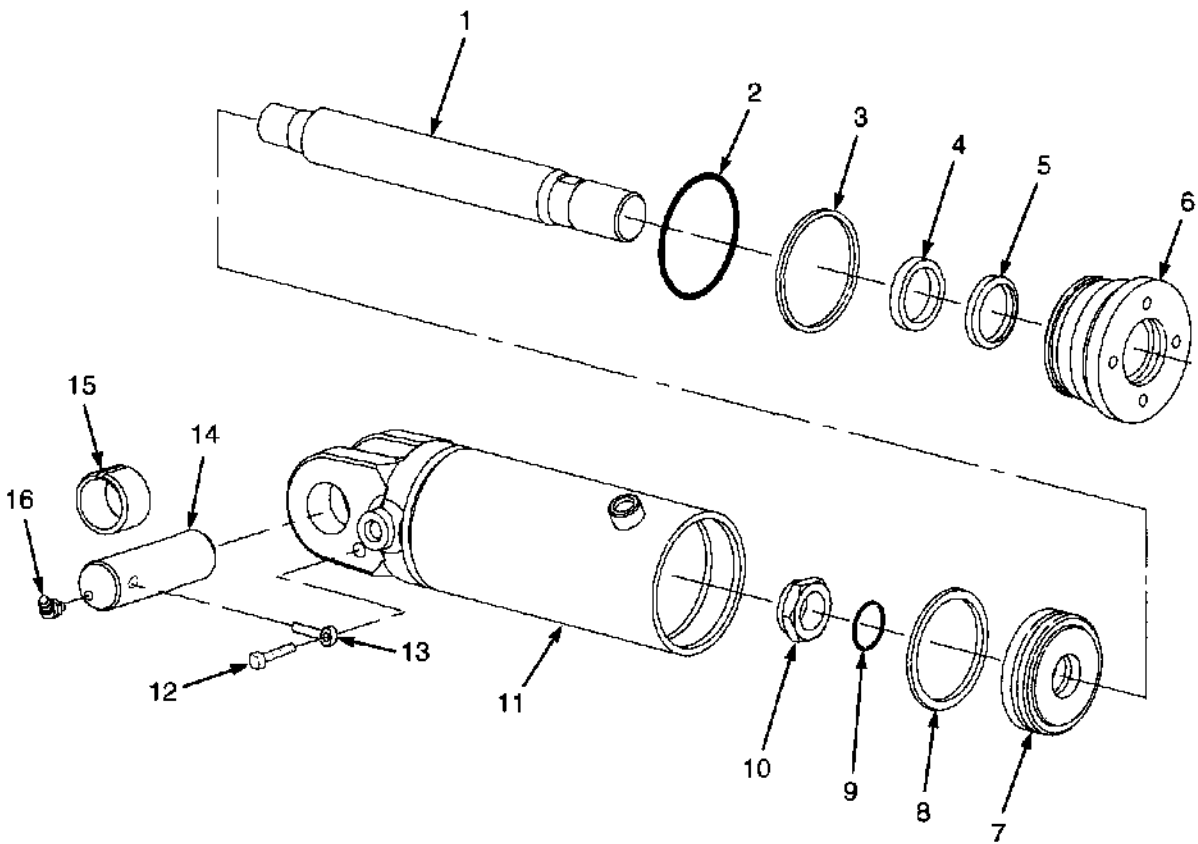


BP150112

**TILT CYLINDERS
RIGHT HAND**

ITEM	PART NO.	DESCRIPTION	QTY
	2076677	Tilt Cylinder (6° Forward/5° Back).....	1
	2076678	Tilt Cylinder (6° Forward/3° Back).....	1
	2076679	Tilt Cylinder (10° Forward/6° Back).....	1
1	2059413	Rod (6° Forward/5° Back).....	1
1	2059414	Rod (6° Forward/3° Back).....	1
1	2059412	Rod (10° Forward/6° Back).....	1
2	57664	O-Ring.....	1
3	166659	Back-Up Ring.....	1
4	1381094	Seal (Rod).....	1
5	1383061	Wiper (Rod).....	1
6	2047064	Gland.....	1
7	2304677	Piston.....	1
8	2044379	Seal (Piston).....	1
9	39374	O-Ring.....	1
10	2302899	Nut.....	1
11	2076681	Shell (6° Forward/5° Back).....	1
11	2076682	Shell (6° Forward/3° Back).....	1
11	2076680	Shell (10° Forward/6° Back).....	1
12	1586013	Capscrew.....	1
13	1533494	Anchor Pin.....	1
14	1533493	Pin.....	1
15	300982	Bushing.....	1
16	16040	Lube Fitting.....	1
	1494719	Seal Kit (Includes Items 2-5, 8-9).....	1

TILT CYLINDERS (Figure 9-23) LEFT HAND



BP150112

**TILT CYLINDERS
LEFT HAND**

ITEM	PART NO.	DESCRIPTION	QTY
	2076687	Tilt Cylinder (6° Forward/5° Back).....	1
	2076688	Tilt Cylinder (6° Forward/3° Back).....	1
	2076689	Tilt Cylinder (10° Forward/6° Back).....	1
1	2059413	Rod (6° Forward/5° Back).....	1
1	2059414	Rod (6° Forward/3° Back).....	1
1	2059412	Rod (10° Forward/6° Back).....	1
2	57664	O-Ring.....	1
3	166659	Back-Up Ring.....	1
4	1381094	Seal (Rod).....	1
5	1383061	Wiper (Rod).....	1
6	2047064	Gland.....	1
7	2304677	Piston.....	1
8	2044379	Seal (Piston).....	1
9	39374	O-Ring.....	1
10	2302899	Nut.....	1
11	2076684	Shell (6° Forward/5° Back).....	1
11	2076685	Shell (6° Forward/3° Back).....	1
11	2076683	Shell (10° Forward/6° Back).....	1
12	1586013	Capscrew.....	1
13	1533494	Anchor Pin.....	1
14	1533493	Pin.....	1
15	300982	Bushing.....	1
16	16040	Lube Fitting.....	1
	1494719	Seal Kit (Includes Items 2-5, 8-9).....	1