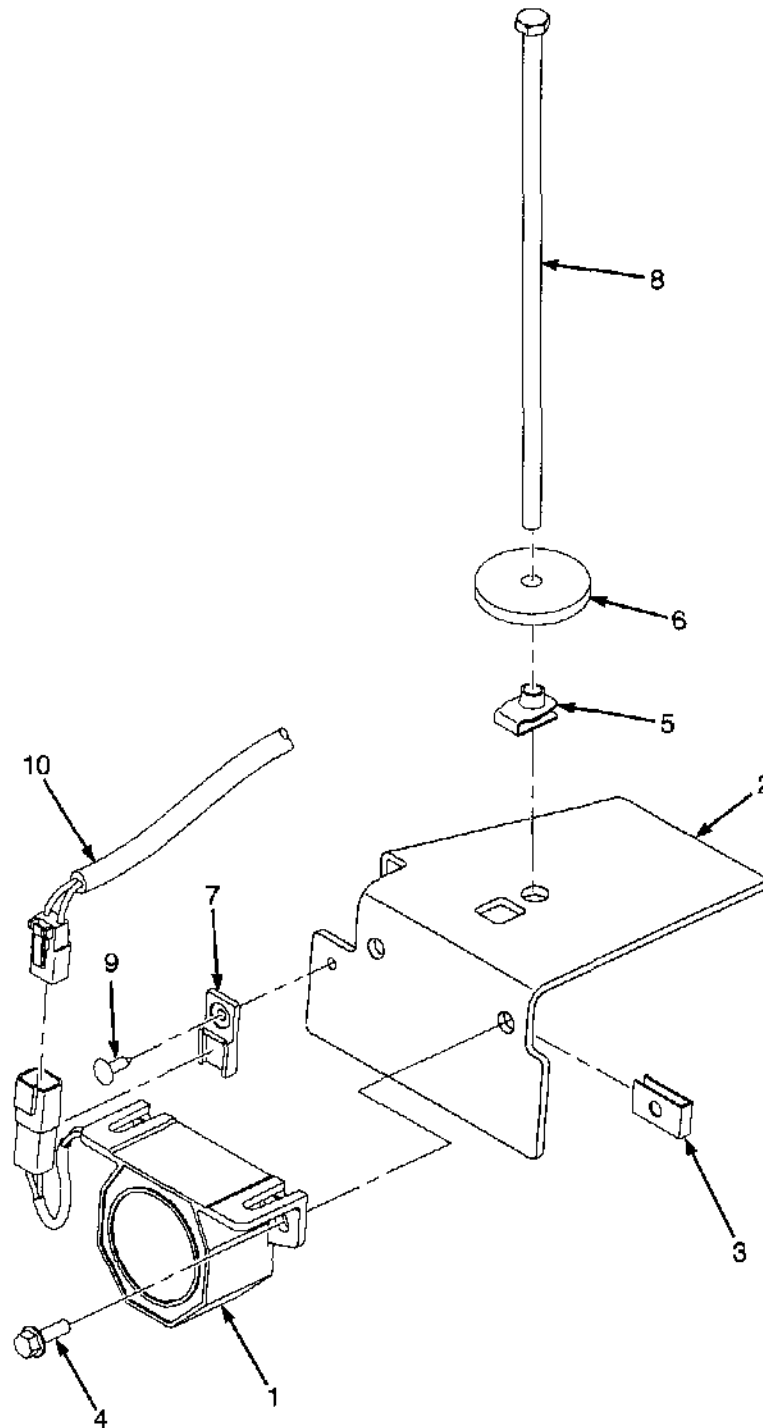


**SECTION 13
OPTIONS**

DESCRIPTION	PAGE
AUXILIARY TUBE EXTENSIONS	
TWO STAGE FULL FREE-LIFT AND THREE STAGE FULL FREE-LIFT.....	13-18
TWO STAGE LIMITED FREE-LIFT.....	13-16
BACK-UP ALARM	13-2
FIRE EXTINGUISHER	13-5
INTEGRAL SIDE-SHIFT ASSEMBLY	
TWO AND THREE STAGE FULL FREE-LIFT.....	13-10
TWO STAGE LIMITED FREE-LIFT.....	13-8
INTEGRAL SIDE-SHIFT CYLINDER	13-12
INTEGRAL SIDE-SHIFT HYDRAULIC HOSES	
TWO AND THREE STAGE FULL FREE-LIFT.....	13-14
TWO STAGE LIMITED FREE-LIFT.....	13-13
MIRRORS	13-4
WIRE HARNESS	
BACK-UP ALARM.....	13-6

BACK-UP ALARM (Figure 13-1)

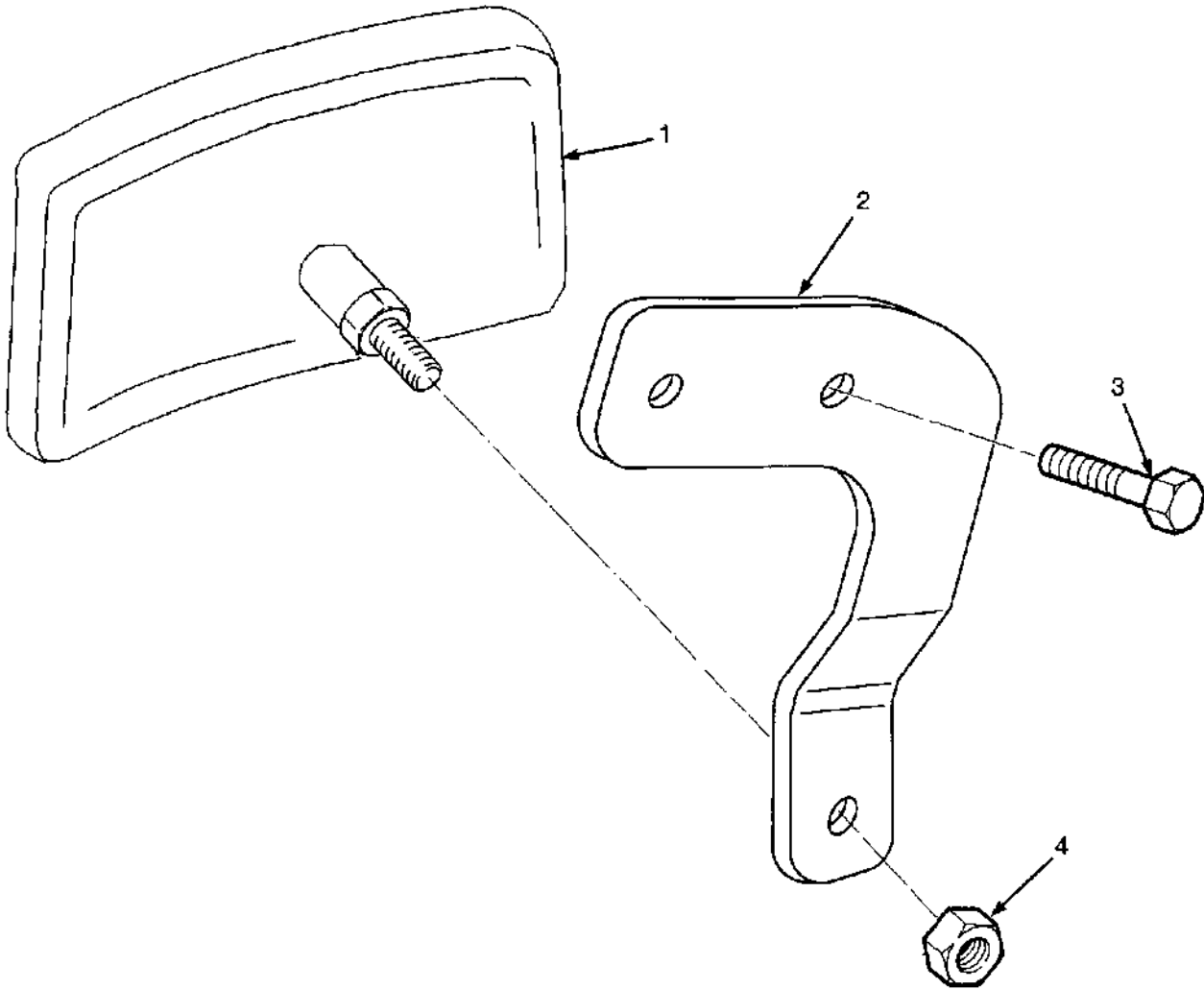


BP000195

BACK-UP ALARM

ITEM	PART NO.	DESCRIPTION	QTY
1	2064926	Back-Up Alarm (87 dbA).....	1
1	2064930	Back-Up Alarm (97 dbA).....	1
1	2064927	Back-Up Alarm (102 dbA).....	1
1	2064929	Back-Up Alarm (82-102 dbA).....	1
1	2064928	Back-Up Alarm (107 dbA).....	1
2	1585235	Bracket.....	1
3	1350215	Nut (Foldover).....	2
4	1527877	Capscrew.....	2
5	1480237	Clip Nut.....	1
6	1547756	Washer.....	1
7	1500912	Clip.....	1
8	1543982	Capscrew.....	1
9	1344124	Fastener.....	1
10	2074912	Wire Harness (Back-Up Alarm) (See Figure 13-4).....	1

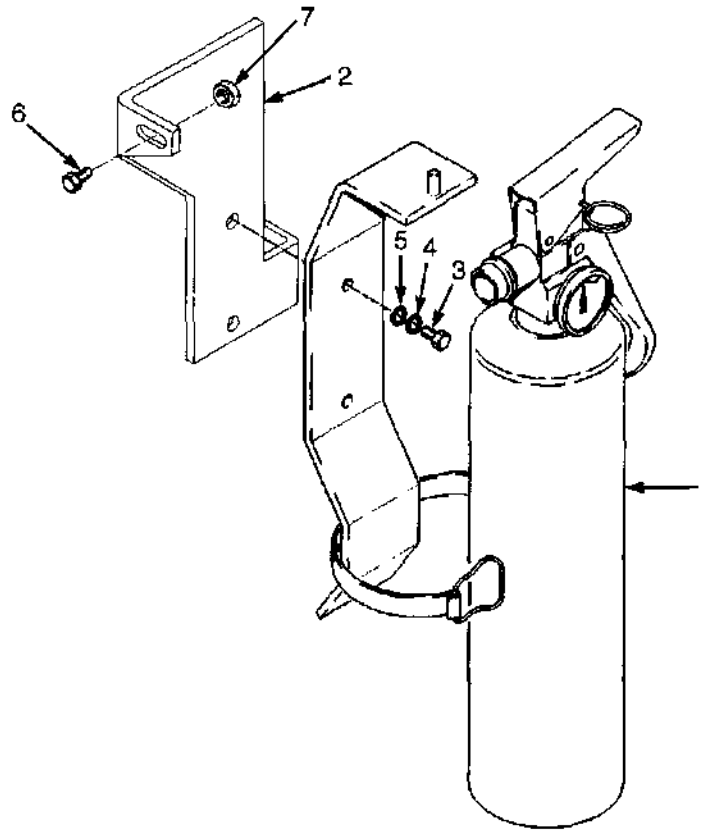
MIRRORS (Figure 13-2)



BP000247

ITEM	PART NO.	DESCRIPTION	QTY
1	1301286	Mirror	2
2	1569277	Bracket (RH)	1
2	1569278	Bracket (LH).....	1
3	1583611	Capscrew.....	4
4	1502543	Nut (Flange).....	4

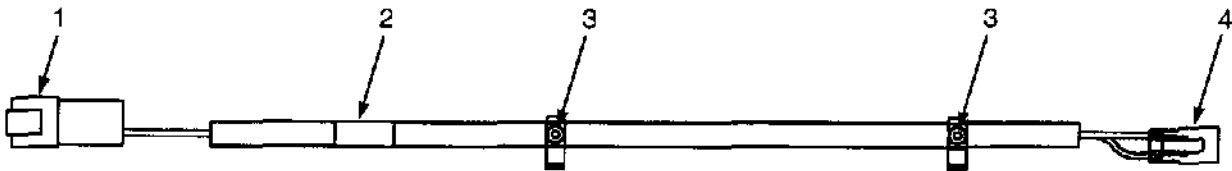
FIRE EXTINGUISHER (Figure 13-3)



BP000252

ITEM	PART NO.	DESCRIPTION	QTY
1	146540	Fire Extinguisher.....	1
2	1582141	Bracket.....	1
3	296507	Screw.....	2
4	292679	Lockwasher.....	2
5	320155	Washer.....	2
6	1583611	Capscrew.....	1
7	1502543	Nut (Flange).....	1

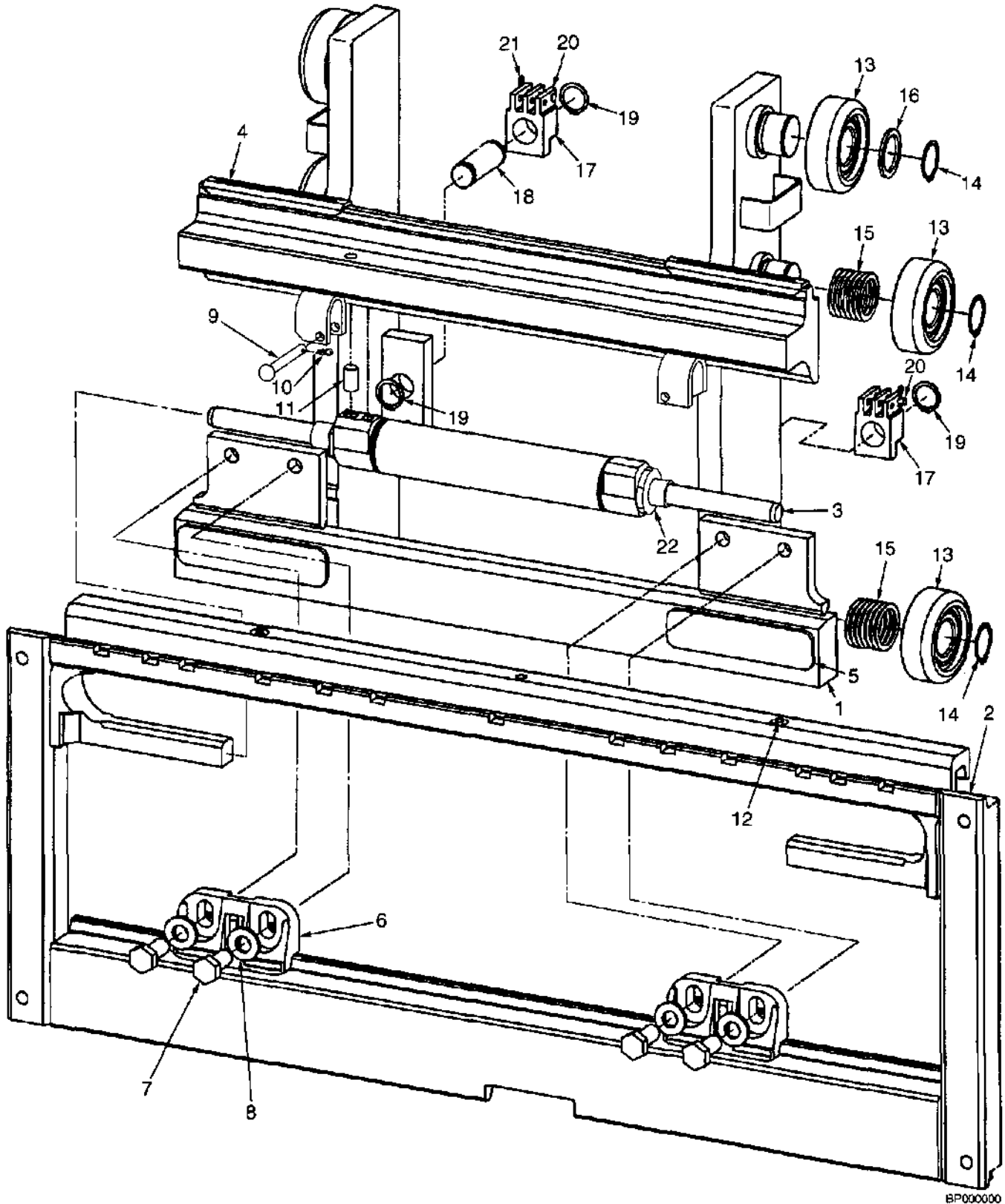
WIRE HARNESS (Figure 13-4) BACK-UP ALARM



BP000276

ITEM	PART NO.	DESCRIPTION	QTY
	2074912	Wire Harness (Back-Up Alarm)	1
1	Connector Assembly	1
1	1402903	Electrical Terminal	1
1	1330417	Secondary Lock	1
1	1330437	Terminal (Pin)	2
1	1330439	Plug	4
2	Label	1
3	1509888	Clip	2
4	Connector Assembly	1
4	1490242	Connector	1
4	1490243	Secondary Lock	1
4	1330438	Socket (Terminal)	2

INTEGRAL SIDE-SHIFT ASSEMBLY (Figure 13-5) TWO STAGE LIMITED FREE-LIFT

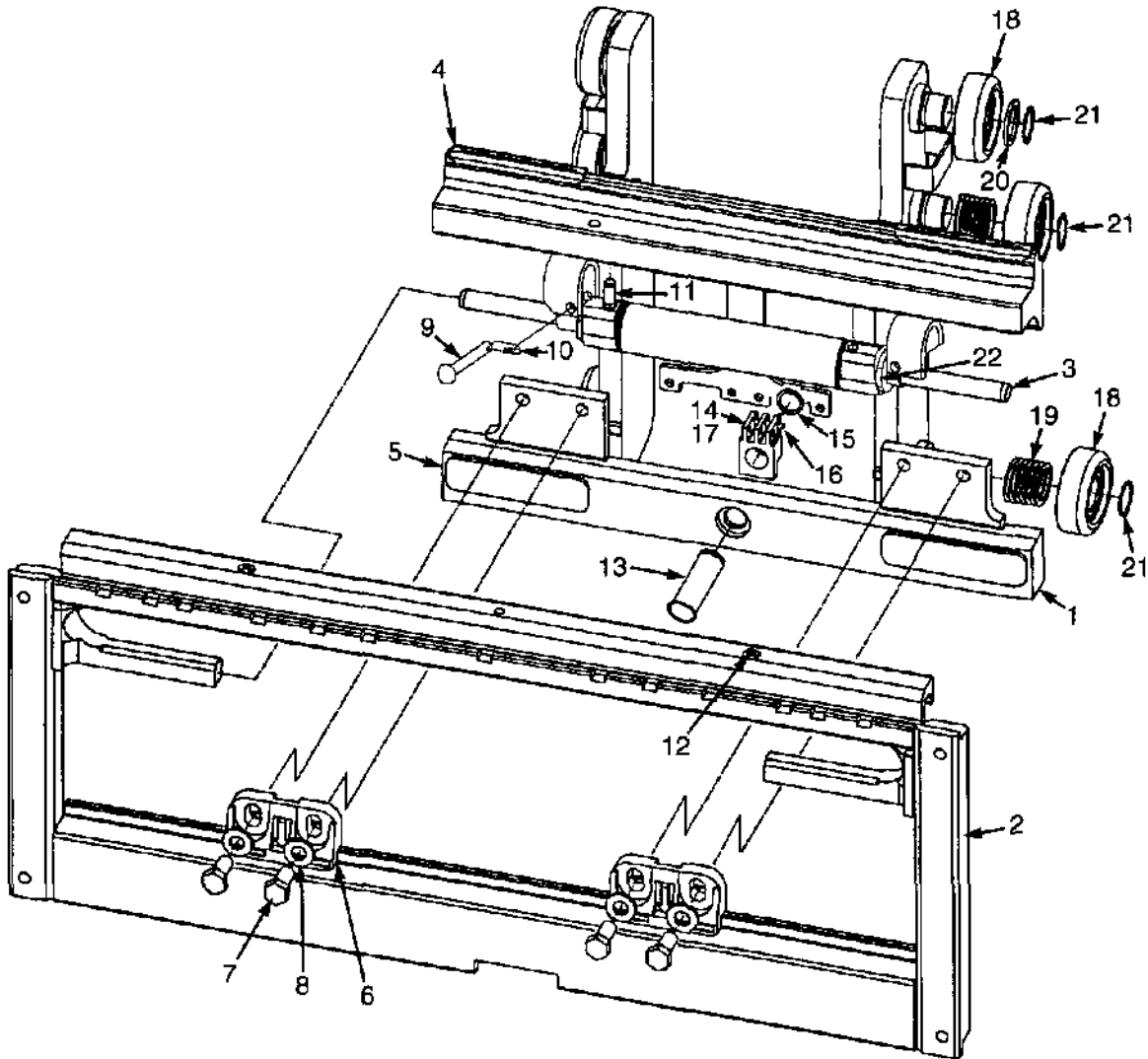


BP000000

**INTEGRAL SIDE-SHIFT ASSEMBLY
TWO STAGE LIMITED FREE-LIFT**

ITEM	PART NO.	DESCRIPTION	QTY
	1482296	Side-Shift Carriage Assembly.....	1
1	1529598	Frame (Inner).....	1
2	1489010	Frame (Outer).....	1
3	2043528	Cylinder Assembly (See Figure 13-7).....	1
4	2043531	Bearing (Upper).....	2
5	2043533	Bearing (Lower).....	2
6	2043530	Hook (Lower).....	2
7	226458	Capscrew.....	4
8	296426	Washer (Hardened).....	4
9	1401746	Pin.....	2
10	18832	Cotter Pin.....	2
11	302397	Pin.....	1
12	16041	Lube Fitting.....	2
13	1333399	Load Roller.....	6
14	58901	Snap Ring.....	6
15	129387	Shim (0,508 mm).....	28
16	366115	Spacer.....	6
17	1481288	Chain Anchor.....	2
18	1353408	Pin.....	2
19	131358	Snap Ring.....	4
20	1514866	Pin.....	2
21	15211	Cotter Pin.....	2
22	1498326	Shim.....	AR

INTEGRAL SIDE-SHIFT ASSEMBLY (Figure 13-6) TWO AND THREE STAGE FULL FREE-LIFT

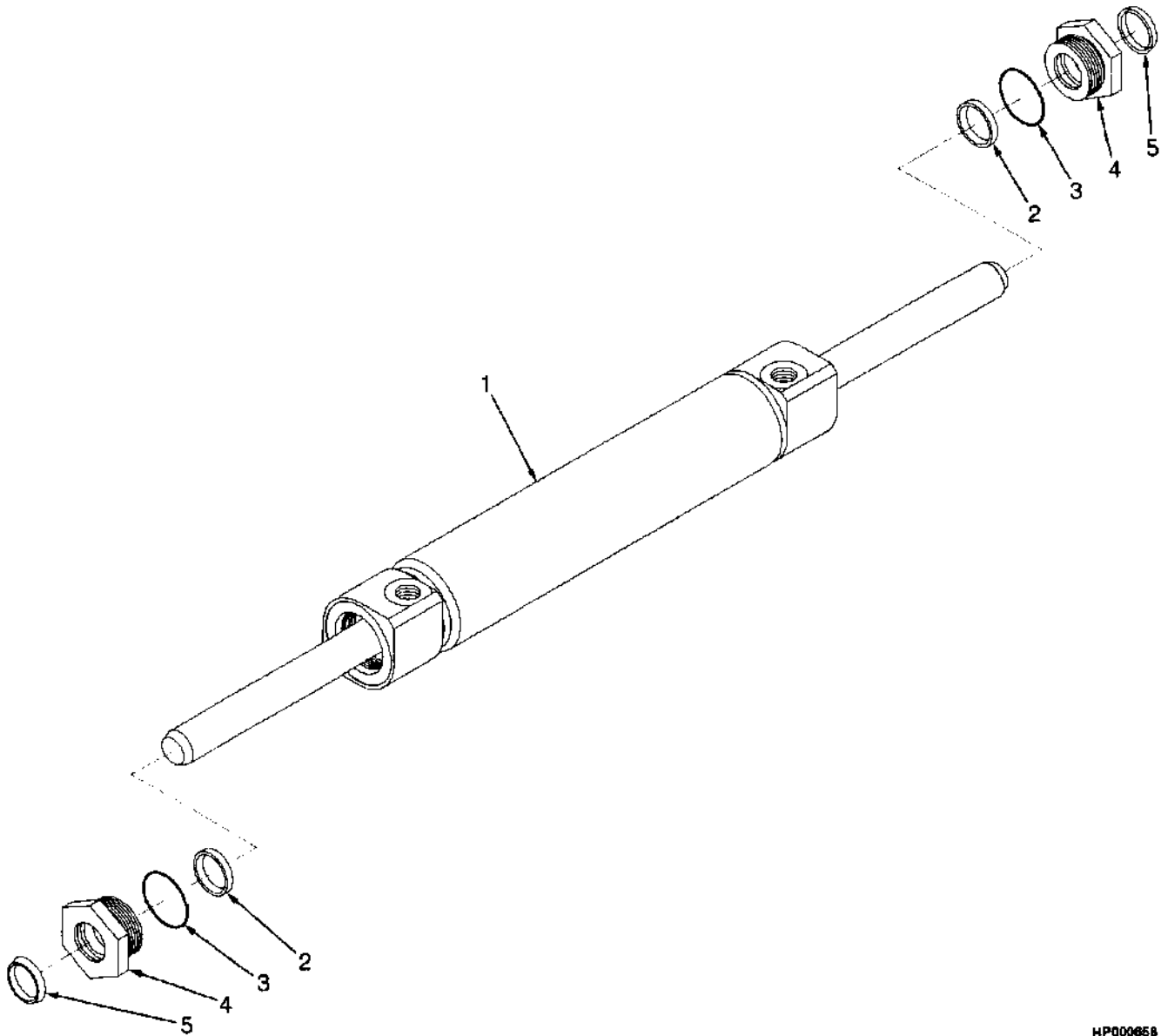


BP000277

**INTEGRAL SIDE-SHIFT ASSEMBLY
TWO AND THREE STAGE FULL FREE-LIFT****KEY:****A: Two Stage Full Free-Lift****B: Three Stage Full Free-Lift**

ITEM	PART NO.	DESCRIPTION	QTY	
			A	B
	2074358	Integral Side-Shift Assembly.....	1	..
	2074359	Integral Side-Shift Assembly.....	..	1
1	1549702	Carriage (Inner).....	1	..
1	1549704	Carriage (Inner).....	..	1
2	1489010	Frame (Outer).....	1	1
3	2043528	Cylinder Assembly (See Figure 13-7)	1	1
4	2043531	Bearing (Upper).....	2	2
5	2043533	Bearing (Lower).....	2	2
6	2043530	Hook (Lower).....	2	2
7	226458	Capscrew	4	4
8	296426	Washer (Hardened).....	4	4
9	1401746	Pin	2	2
10	18832	Cotter Pin	2	2
11	302397	Pin	1	1
12	16041	Lube Fitting.....	2	2
13	321205	Pin	1	1
14	1340687	Pin	1	1
15	131358	Snap Ring.....	1	1
16	1549685	Chain Anchor.....	1	1
17	15211	Cotter Pin	1	1
18	1333399	Load Roller	6	..
18	1363272	Load Roller.....	..	6
19	129387	Shim (0,508 mm).....	AR	AR
20	366115	Spacer.....	2	2
21	58901	Snap Ring.....	6	6
22	1498326	Shim	AR	AR

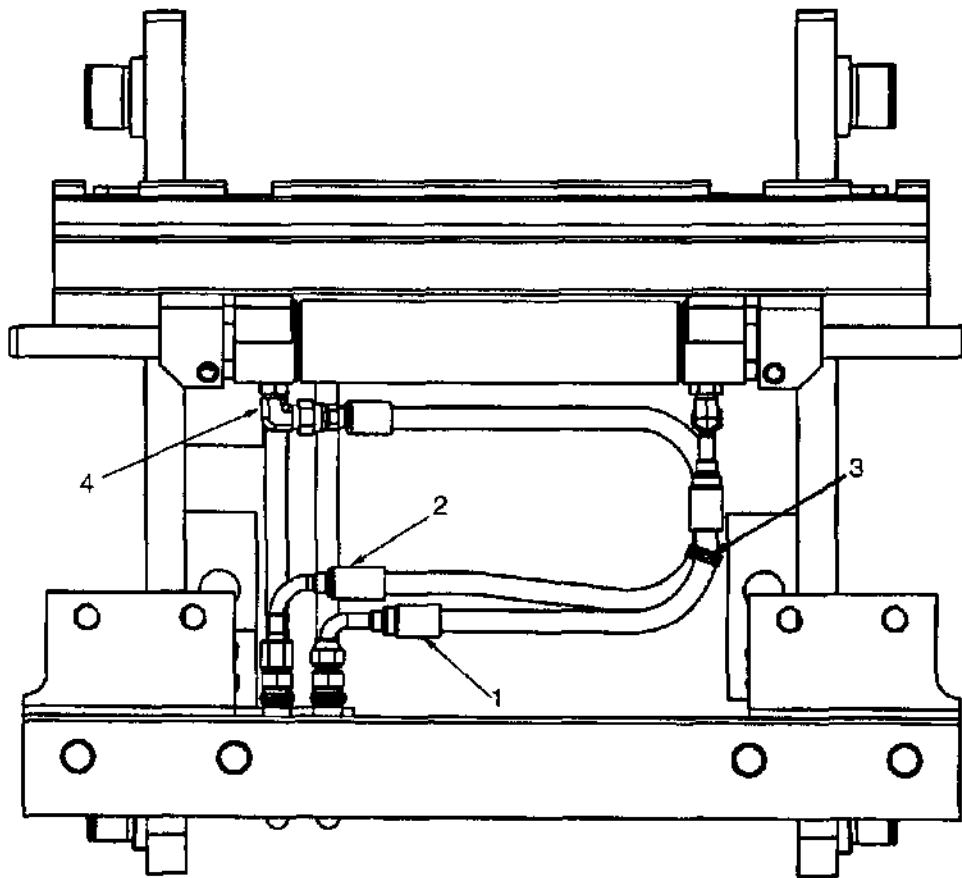
INTEGRAL SIDE-SHIFT CYLINDER (Figure 13-7)



HP000658

ITEM	PART NO.	DESCRIPTION	QTY
	2043528	Cylinder Assembly	1
1	1489018	Cylinder Shell	1
2	1489037	Rod Seal	2
3	1489035	O-Ring	2
4	1498325	Retainer	2
5	1489039	Rod Wiper	2
	1503096	Seal Kit (Includes Items 2-3, 5)	1

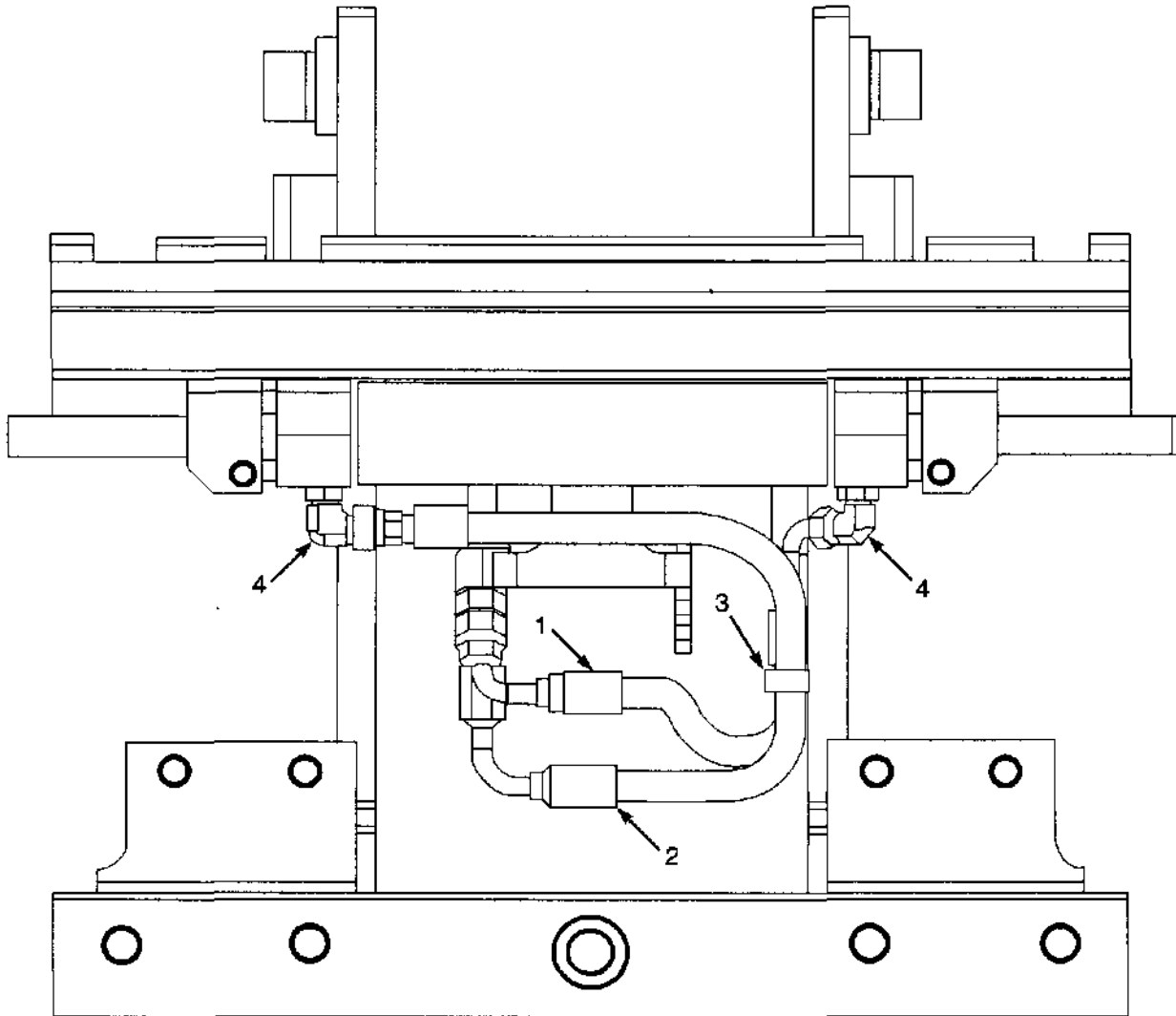
**INTEGRAL SIDE-SHIFT HYDRAULIC HOSES (Figure 13-8)
TWO STAGE LIMITED FREE-LIFT**



BPC00004

ITEM	PART NO.	DESCRIPTION	QTY
1	2067822	Hose	1
2	2065670	Hose	1
3	114312	Strap Clamp.....	1
4	1487063	Fitting.....	2
4	16483	O-Ring.....	1
4	265787	O-Ring.....	1

INTEGRAL SIDE-SHIFT HYDRAULIC HOSES (Figure 13-9) TWO AND THREE STAGE FULL FREE-LIFT

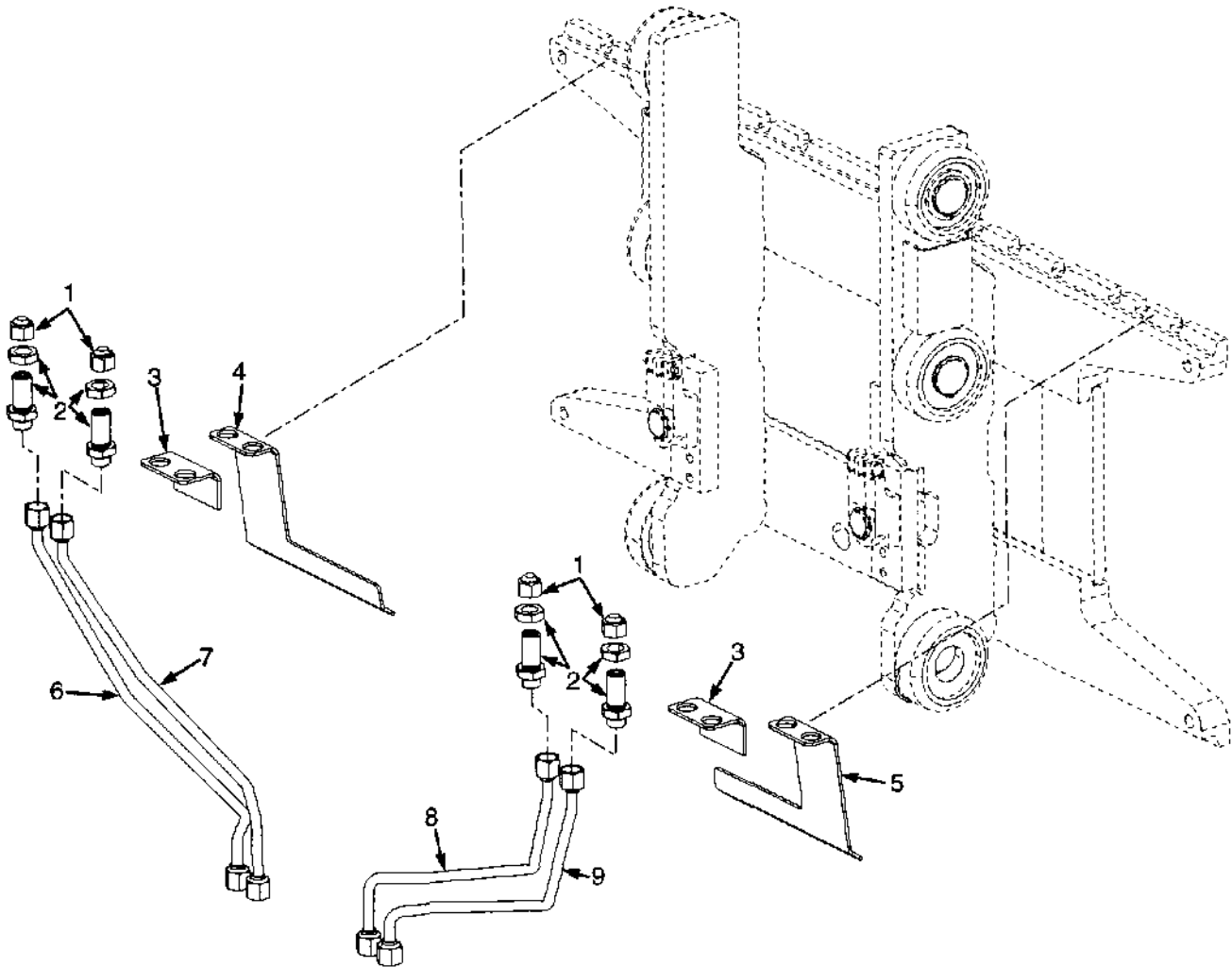


BP000278

**INTEGRAL SIDE-SHIFT HYDRAULIC HOSES
TWO AND THREE STAGE FULL FREE-LIFT****KEY:****A: Two Stage Full Free-Lift****B: Three Stage Full Free-Lift**

ITEM	PART NO.	DESCRIPTION	QTY	
			A	B
1	2065674	Hose	1	..
1	2067141	Hose	1
2	1549706	Hose	1	..
2	2067140	Hose	1
3	114312	Strap Clamp.....	1	1
4	1487063	Fitting.....	2	2
4	16483	O-Ring.....	1	1
4	265787	O-Ring.....	1	1

AUXILIARY TUBE EXTENSIONS (Figure 13-10) TWO STAGE LIMITED FREE-LIFT



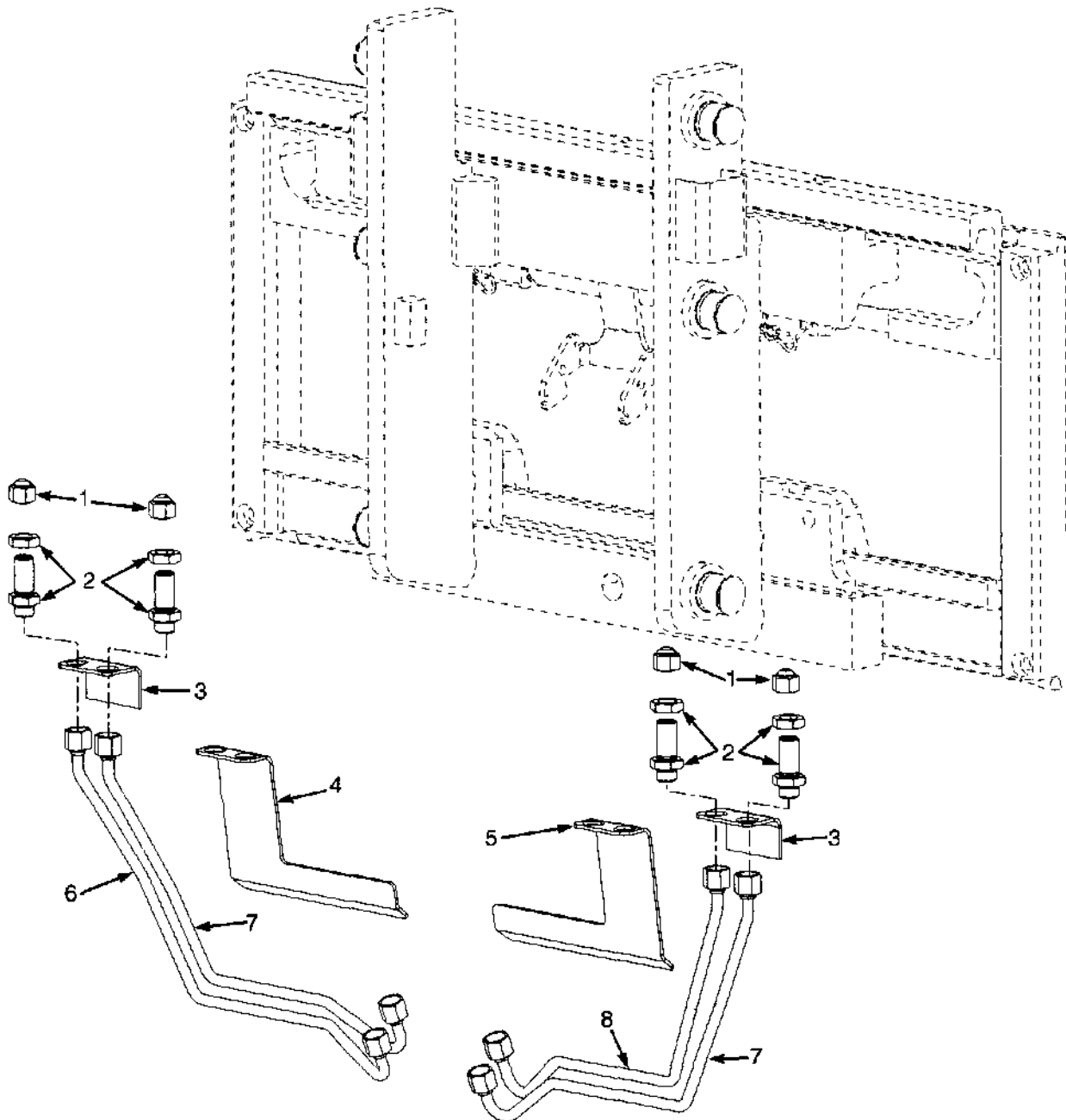
BP000129

**AUXILARY TUBE EXTENSIONS
TWO STAGE LIMITED FREE-LIFT****KEY:****A: Three Function****B: Four Function**

ITEM	PART NO.	DESCRIPTION	QTY	
			A	B
1	1529015	Cap	2	4
2	1528573	Fitting	2	4
3	b 1550070	Bracket.....	1	2
4	a 1549717	Bracket (RH).....	1	1
5	a 1549718	Bracket (LH).....	..	1
6	1603274	Tube	1	1
7	1603275	Tube	1	1
8	1603276	Tube	1
9	1603277	Tube	1

FOOTNOTES:**a** Integrated Side-Shift**b** Standard Side-Shift

AUXILIARY TUBE EXTENSIONS (Figure 13-11) TWO STAGE FULL FREE-LIFT AND THREE STAGE FULL FREE-LIFT



BP000295

AUXILARY TUBE EXTENSIONS

TWO STAGE FULL FREE-LIFT AND THREE STAGE FULL FREE-LIFT

KEY:**A:** Three Function**B:** Four Function

ITEM	PART NO.	DESCRIPTION	QTY	
			A	B
1	1529015	Cap	2	4
2	1528573	Fitting	2	4
3	b 1550070	Bracket	1	2
4	a 1549717	Bracket (RH)	1	1
5	a 1549718	Bracket (LH)	1
6	1606413	Tube	1	1
7	1606414	Tube	1	1
8	1606415	Tube	1
9	1606416	Tube	1

FOOTNOTES:**a** Integrated Side-Shift**b** Standard Side-Shift