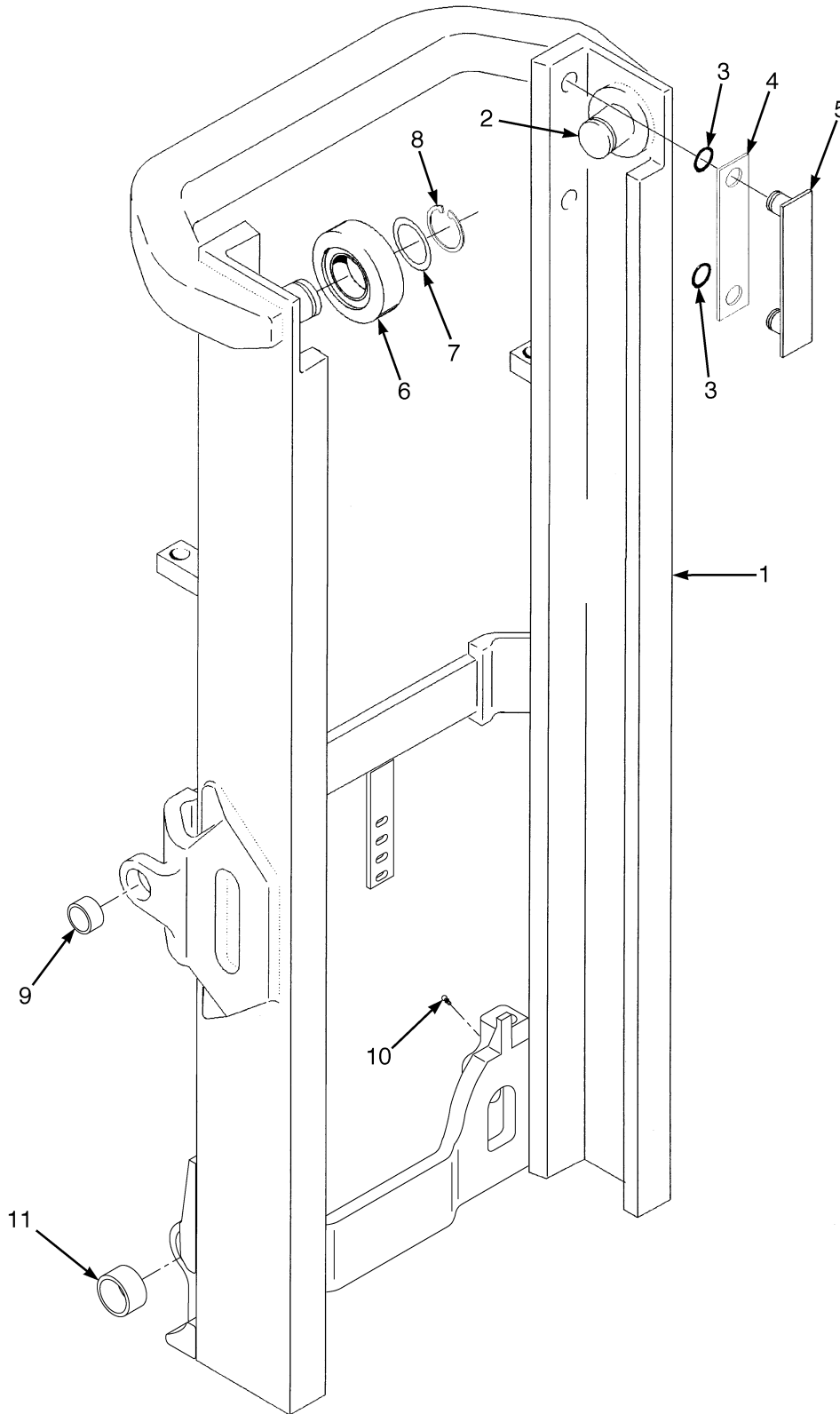


OUTER MAST (Figure 11-1) TWO STAGE FULL FREE-LIFT

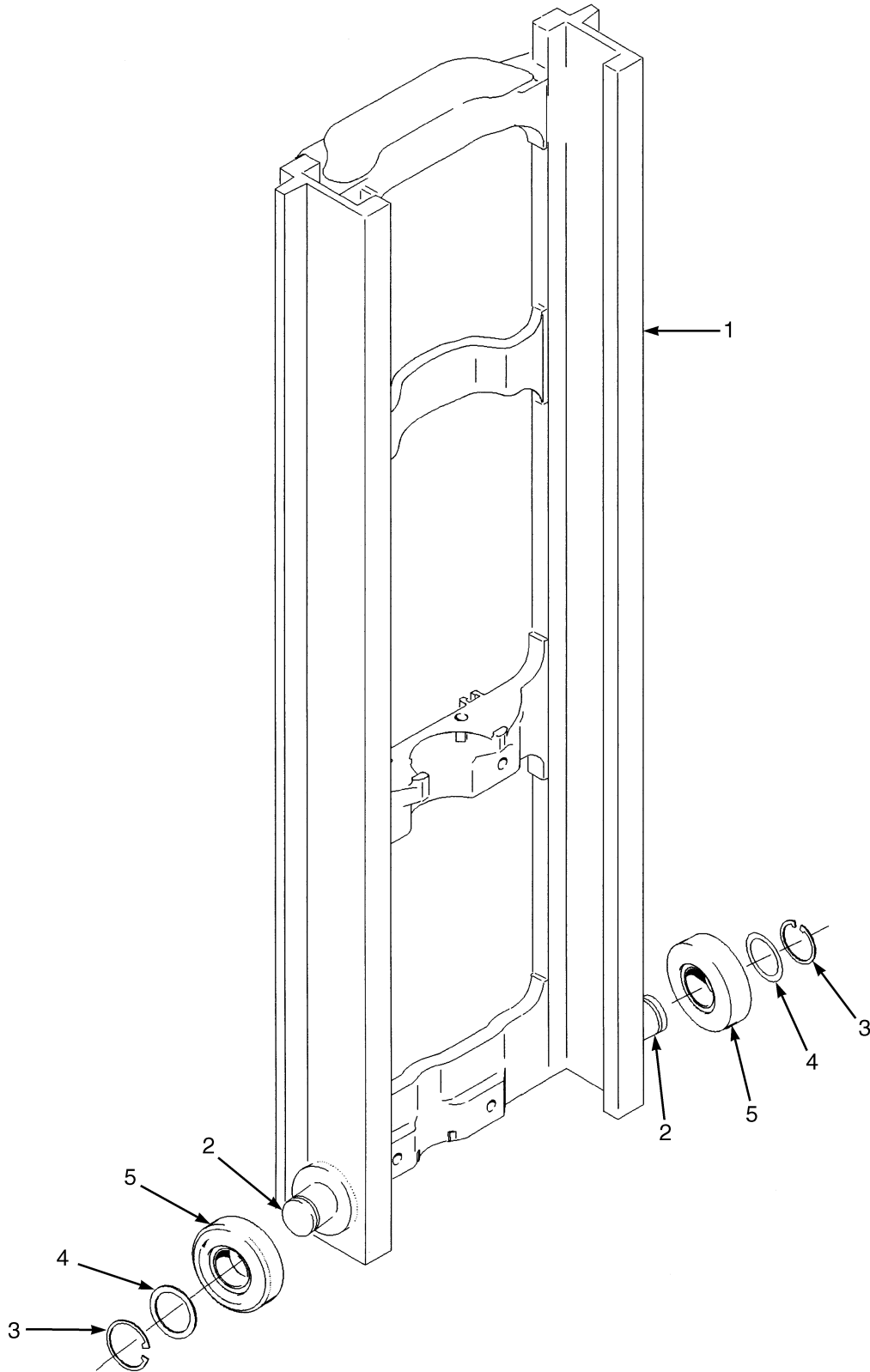


HP290004

**OUTER MAST
TWO STAGE FULL FREE-LIFT****KEY:****A: H2.0-2.5FT, D509-3262 mm****B: H3.0-3.5FT, D564-3060 mm**

ITEM	PART NO.	DESCRIPTION	QTY	
			A	B
1	1524755	Outer Mast	1	1
2	1345216	Stubshaft	2	2
3	104506	O-Ring	4	4
4	131716	Shim (0,508 mm)	AR	AR
4	131715	Shim (0,178 mm) (Optional)	AR	AR
5	215211	Bearing Strip	2	2
6	1333396	Load Roller	2	2
7	129387	Shim (0,508 mm)	AR	AR
8	58901	Snap Ring	2	2
9	300982	Bushing	2	2
10	16001	Lube Fitting	2	2
11	1502811	Bushing	2	2

INNER MAST (Figure 11-2) TWO STAGE FULL FREE-LIFT



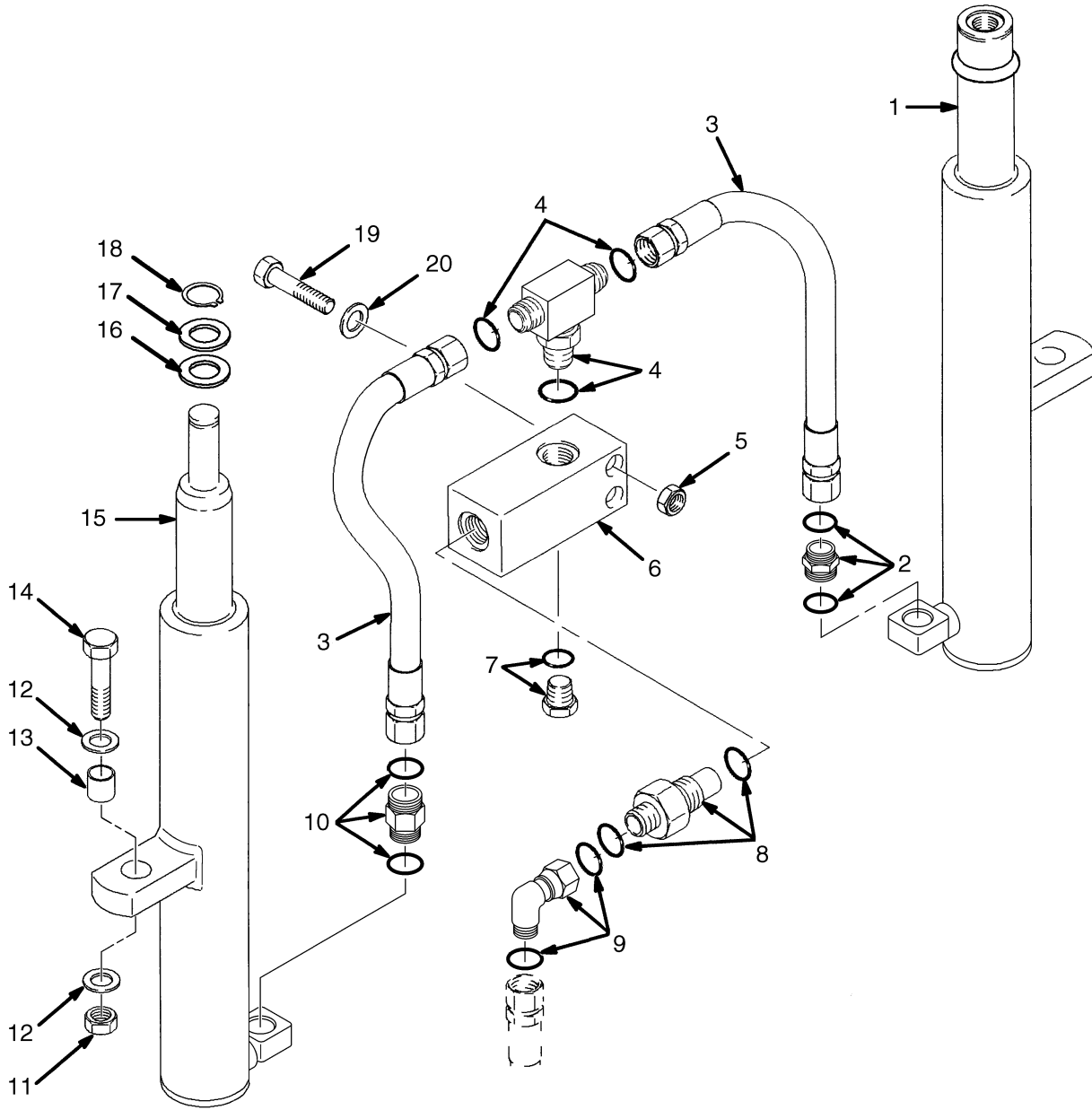
HP290005

INNER MAST TWO STAGE FULL FREE-LIFT

KEY:**A:** H2.0-2.5FT, D509-3262 mm**B:** H3.0-3.5FT, D564-3060 mm

ITEM	PART NO.	DESCRIPTION	QTY	
			A	B
1	1342477	Inner Mast.....	1	1
2	1345264	Stubshaft.....	2	2
3	58901	Snap Ring.....	2	2
4	129387	Shim (0,508 mm).....	AR	AR
5	1333396	Load Roller.....	2	2

MAIN LIFT (Figure 11-3) TWO STAGE FULL FREE-LIFT

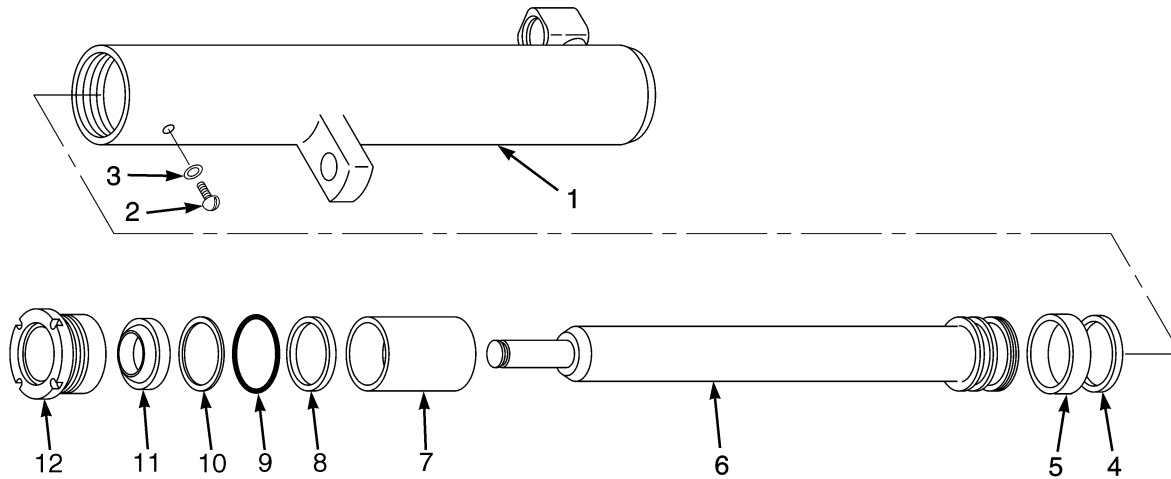


BP290036

**MAIN LIFT
TWO STAGE FULL FREE-LIFT****KEY:****A: H2.0-2.5FT, D509-3262 mm****B: H3.0-3.5FT, D564-3060 mm**

ITEM	PART NO.	DESCRIPTION	QTY	
			A	B
1	Main Lift Cylinder (LH) (☞ Figure 11-5)	1	1
2	1486749	Fitting	1	1
2	252729	O-Ring	1	1
2	16485	O-Ring	1	1
3	1481097	Hose	2	2
4	1532650	Fitting	1	1
4	252729	O-Ring	2	2
4	16485	O-Ring	1	1
5	1581566	Nut	2	2
6	1379687	Housing (Lowering Control)	1	1
7	14603	Fitting	1	1
7	16486	O-Ring	1	1
8	2062652	Valve (Lowering Control)	1
8	2062651	Valve (Lowering Control)	1	..
8	16982	O-Ring	1	1
8	252729	O-Ring	1	1
9	1486773	Fitting	1	1
9	252729	O-Ring	2	2
10	2062687	Velocity Fuse	1
10	2062686	Velocity Fuse	1	..
10	16485	O-Ring	1	1
10	252729	O-Ring	1	1
11	1581849	Nut	2	2
12	1581852	Washer	4	4
13	323090	Spacer	2	2
14	1581829	Capscrew	2	2
15	Main Lift Cylinder (RH) (☞ Figure 11-4)	1	1
16	1354915	Washer (0.010 in.)	AR	AR
16	1354916	Washer (0.030 in.)	AR	AR
16	1354917	Washer (0.060 in.)	AR	AR
17	1333382	Washer (1.50 mm) (0.060 in.)	1	1
18	131358	Snap Ring	1	1
19	1581835	Capscrew	2	2
20	1581556	Washer	2	2

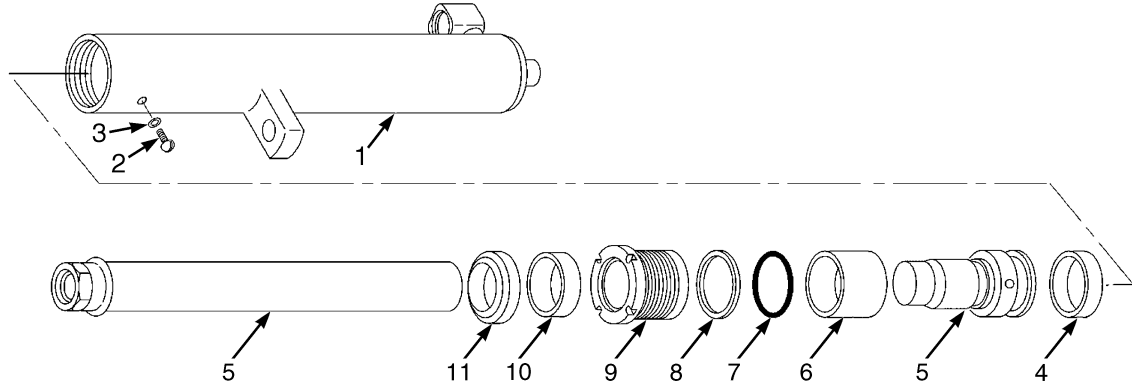
MAIN LIFT CYLINDER (Figure 11-4) RIGHT HAND TWO STAGE FULL FREE-LIFT



BP170124

ITEM	PART NO.	DESCRIPTION	QTY
	2058651	Main Lift Cylinder (H2.0-2.5FT, D509-3262 mm)	1
	2060422	Main Lift Cylinder (H3.0-3.5FT, D564-3060 mm)	1
1	2058536	Shell	1
2	295649	Screw	1
3	190887	Seal	1
4	1356748	Piston Ring	1
5	1356747	Wear Ring	1
6	1358940	Rod.....	1
7	2073159	Spacer	1
8	1381095	Rod Seal.....	1
9	59229	O-Ring	1
10	147972	Back-Up Ring	1
11	1319668	Wiper Ring.....	1
12	1355713	Gland.....	1
	1496922	Seal Kit (Includes Items 3-5, 8-10, 12)	1

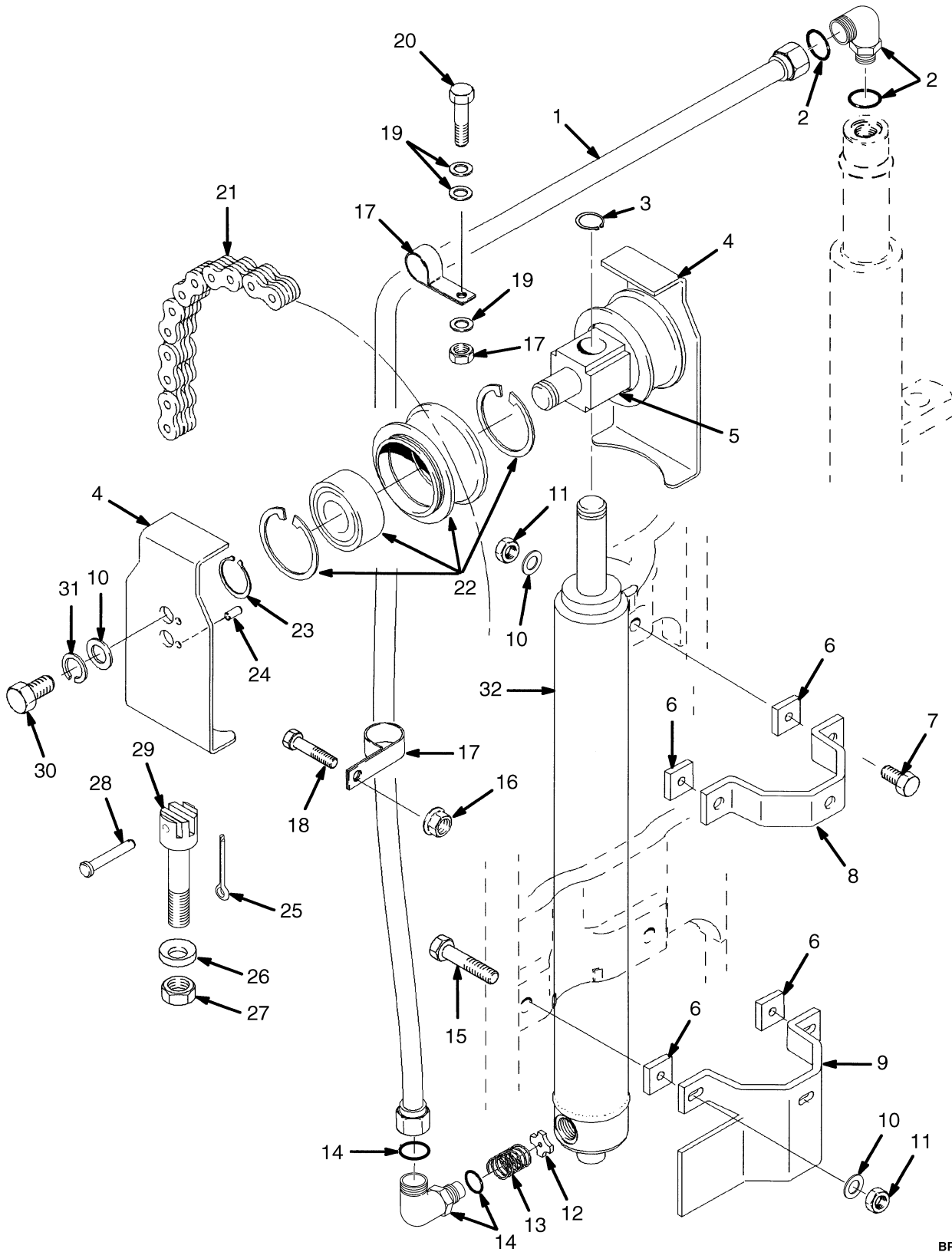
**MAIN LIFT CYLINDER (Figure 11-5)
LEFT HAND
TWO STAGE FULL FREE-LIFT**



BP170125

ITEM	PART NO.	DESCRIPTION	QTY
	2058619	Main Lift Cylinder (H2.0-2.5FT, D509-3262 mm)	1
	2058823	Main Lift Cylinder (H3.0-3.5FT, D564-3060 mm)	1
1	2058500	Shell	1
2	295649	Screw	1
3	190887	Seal	1
4	1356747	Wear Ring	1
5	1355929	Rod And Piston Assembly	1
5	1355930	Rod	1
5	2064464	Piston	1
6	2073159	Spacer (H60-70FT Models Only)	1
7	59229	O-Ring	1
8	147972	Back-Up Ring	1
9	1355713	Gland	1
10	1381095	Rod Seal	1
11	1319668	Wiper Ring	1
	1496922	Seal Kit (Includes Items 7-8, 10-11)	1

FREE-LIFT (Figure 11-6) TWO STAGE FULL FREE-LIFT

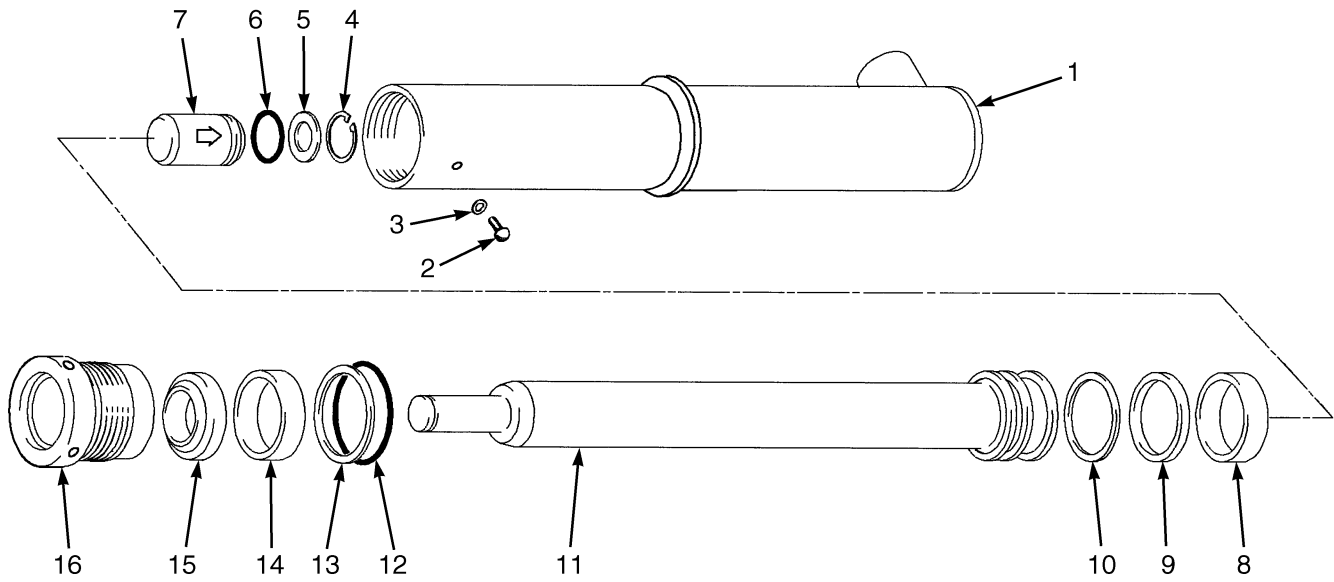


BP290037

**FREE-LIFT
TWO STAGE FULL FREE-LIFT****KEY:****A: H2.0-2.5FT, D509-3262 mm****B: H3.0-3.5FT, D564-3060 mm**

ITEM	PART NO.	DESCRIPTION	QTY	
			A	B
1	1481742	Tube	1	1
2	1481090	Fitting	1	1
2	16485	O-Ring	1	1
2	244167	O-Ring	1	1
3	131358	Snap Ring	1	1
4	1395285	Chain Guard	2	2
5	1378690	Crosshead	1	1
6	1354902	Spacer	4
7	1581828	Capscrew	2
7	1581827	Capscrew	2	..
8	1465504	Clamp	1	1
9	1354967	Bracket	1	1
10	1581559	Washer	6	6
11	1581849	Nut	4	4
12	356505	Washer (Special)	1	1
13	154355	Spring	1	1
14	1481096	Fitting	1	1
14	16485	O-Ring	1	1
14	244167	O-Ring	1	1
15	1581832	Capscrew	2	2
16	1581567	Nut	2	2
17	178119	Clamp	2	2
18	1581587	Capscrew	1	1
19	1581557	Washer	3	3
20	1581841	Capscrew	1	1
21	180177	Chain	2	..
21	1342377	Chain	2
22	1379683	Chain Sheave Assembly	2
22	1379682	Chain Sheave Assembly	2	..
22	1378693	Sheave	1
22	1378692	Sheave	1	..
22	37752	Snap Ring	2	2
22	1378699	Bearing	1	1
23	304526	Snap Ring	3	3
24	302461	Pin	2	2
25	15211	Cotter Pin	2	2
26	297649	Base Ring	2	2
27	161003	Nut	2	2
28	1514866	Pin	2	2
29	1369356	Chain Anchor	2
29	1369357	Chain Anchor	2	..
30	1581590	Capscrew	2	2
31	1581564	Lockwasher	2	2
32	Free-Lift Cylinder (☞ Figure 11-7)	1	1

FREE-LIFT CYLINDER (Figure 11-7) TWO STAGE FULL FREE-LIFT

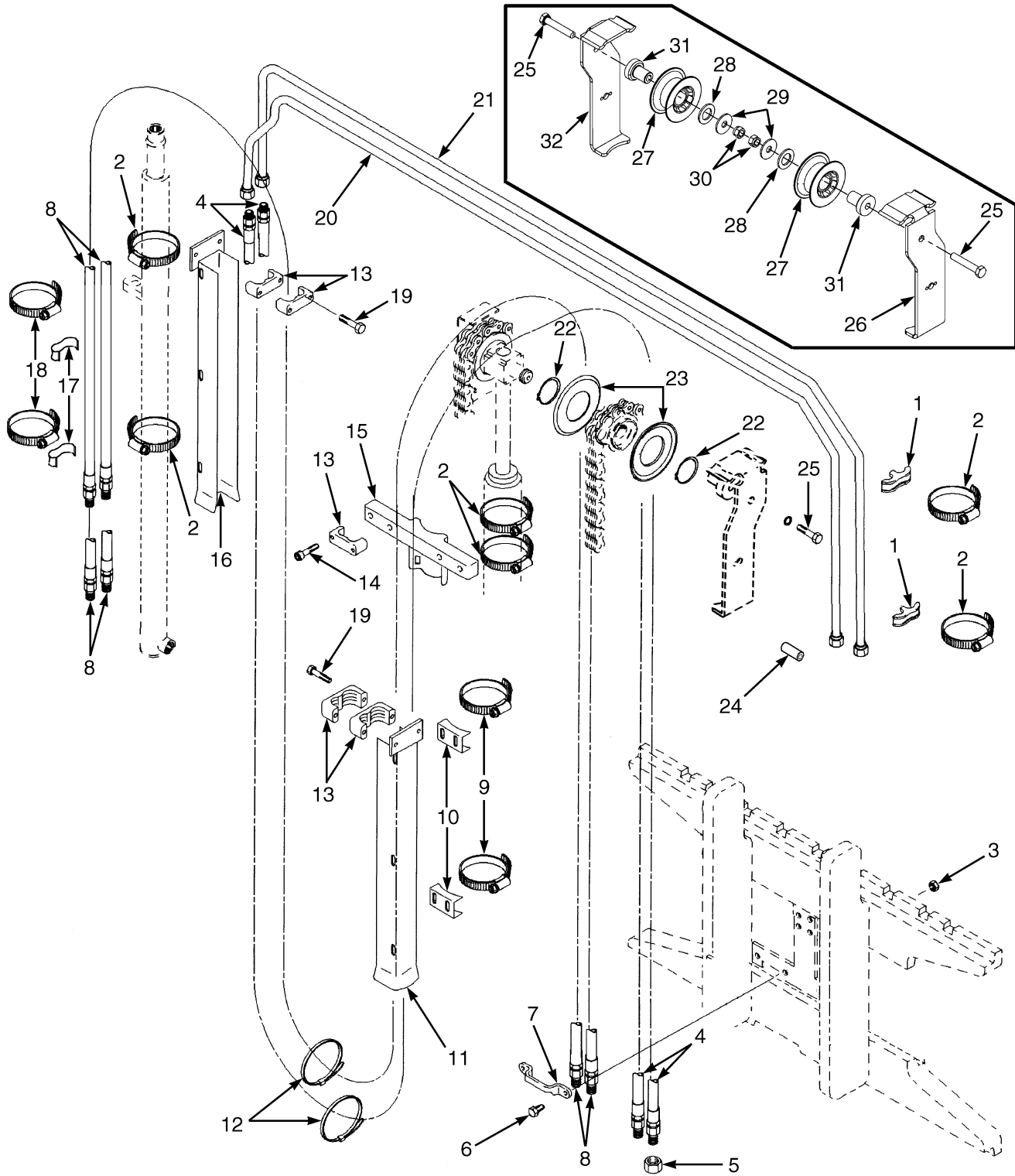


BP170110

**FREE-LIFT CYLINDER
TWO STAGE FULL FREE-LIFT****KEY:****A: H2.0-2.5FT, D509-3262 mm****B: H3.0-3.5FT, D564-3060 mm**

ITEM	PART NO.	DESCRIPTION	QTY	
			A	B
	2058326	Free-Lift Cylinder	1
	2053796	Free-Lift Cylinder	1	..
1	2058252	Shell	1
1	2058213	Shell	1	..
2	1361302	Screw	1	1
3	190887	Seal	1	1
4	187388	Snap Ring.....	1	1
5	297531	Washer	1	1
6	190580	O-Ring	1
6	39348	O-Ring	1	..
7	257913	Check Valve.....	1	1
8	636941	Wear Ring	1
8	1358972	Wear Ring	1	..
9	309062	Seal	1
9	2013088	Seal	1	..
10	637565	Back-Up Ring	1
10	2013089	Back-Up Ring	1	..
11	1356691	Rod.....	..	1
11	1356688	Rod.....	1	..
12	15880	O-Ring	1
12	90263	O-Ring	1	..
13	164840	Back-Up Ring	1
13	147973	Back-Up Ring	1	..
14	1358970	Seal	1	1
15	2013099	Wiper Ring.....	1	1
16	1356661	Gland.....	..	1
16	1356292	Gland.....	1	..
	1356662	Seal Kit (Includes Items 3, 6, 8-10, 12-15)	1
	1358969	Seal Kit (Includes Items 3, 6, 8-10, 12-15)	1	..

HEADER HOSES (Figure 11-8) TWO STAGE FULL FREE-LIFT

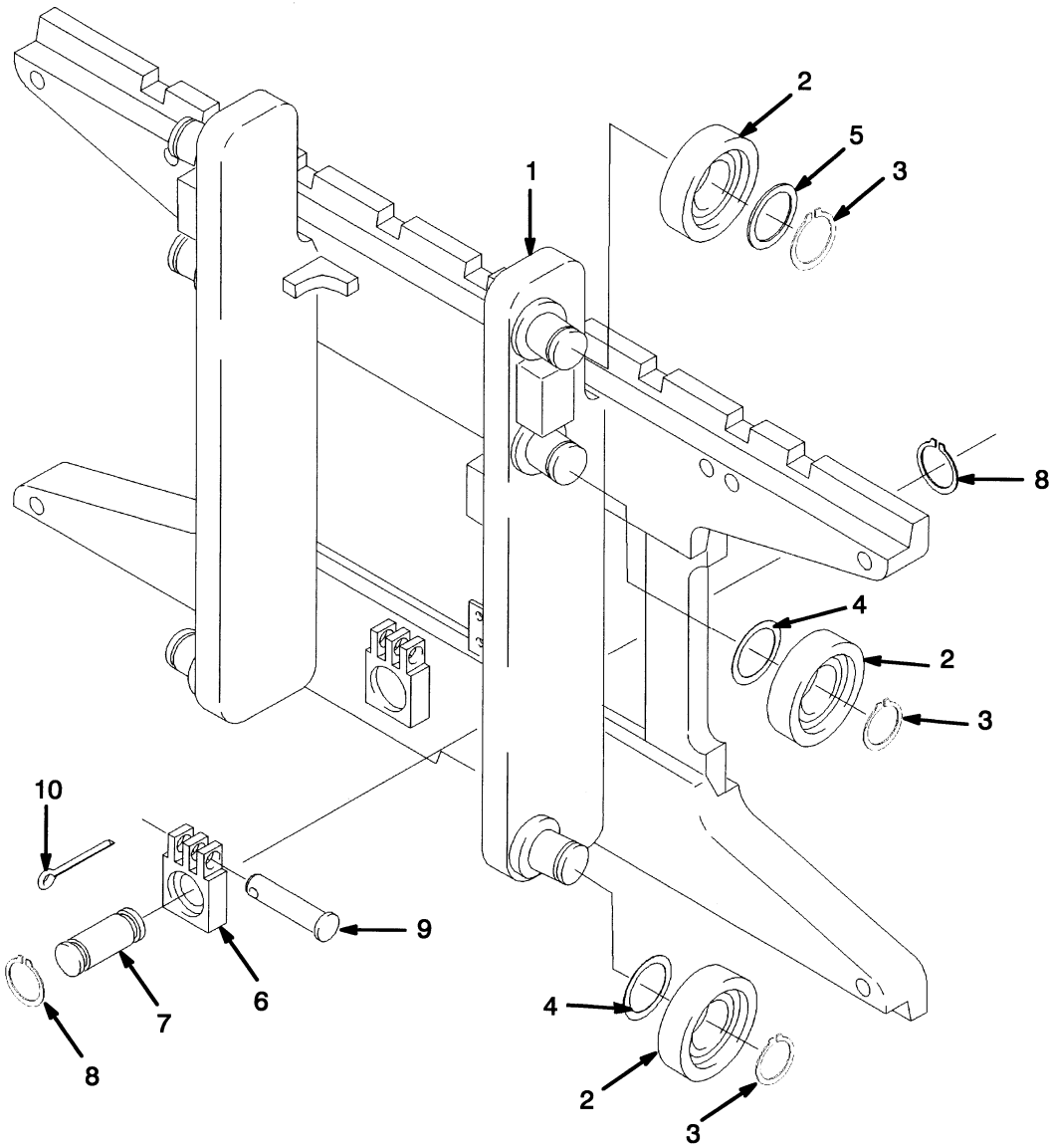


HP020340

**HEADER HOSES
TWO STAGE FULL FREE-LIFT****KEY:****A: Three Function****B: Four Function**

ITEM	PART NO.	DESCRIPTION	QTY	
			A	B
1	1353530	Clamp	2	2
2	1360507	Clamp	8	8
3	1581566	Nut	2	4
4	2065211	Hose (To Side-Shift)	2	2
5	1529015	Cap	2	4
6	1581581	Capscrew.....	2	4
7	1369333	Clamp	1	2
8	2065241	Hose (To Mast)	2
9	1360508	Clamp	2	2
10	1345423	Clamp	2	2
11	1481232	Channel (RH).....	1	1
12	137852	Strap Clamp.....	1	2
13	1360386	Clamp	3	6
14	1581741	Capscrew.....	2	4
15	1354918	Bracket.....	1	1
16	1365517	Channel (LH)	1	1
17	1477996	Clamp	2
18	1481229	Clamp	2
19	1581842	Capscrew.....	4	8
20	2065001	Tube	1	1
21	2065030	Tube	1	1
22	1345204	Snap Ring.....	2	4
23	1345199	Hose Guide.....	2	4
24	302461	Pin	2	4
25	1581830	Capscrew.....	1	2
26	1395292	Bracket.....	..	1
27	1494017	Sheave.....	1	2
28	1581560	Washer	1	2
29	1345190	Washer	1	2
30	1581849	Nut	1	2
31	1396406	Stubshaft	1	2
32	1395291	Bracket.....	1	1

CARRIAGE (Figure 11-9) TWO STAGE FULL FREE-LIFT



HP290012

**CARRIAGE
TWO STAGE FULL FREE-LIFT****KEY:****A: H2.0-2.5FT D509****B: H3.0-3.5FT D564**

ITEM	PART NO.	DESCRIPTION	QTY	
			A	B
	1343844	Carriage Assembly	1	..
	1477683	Carriage Assembly	1
1	1345239	Frame	1	..
1	1477932	Frame	1
1	1345264	Stubshaft.....	6	6
2	1345219	Load Roller	6	6
3	12891	Snap Ring.....	6	6
4	1345263	Shim (0,508 mm).....	AR	AR
5	366116	Spacer	2	2
6	1369345	Chain Anchor (Dual Hole)	2	..
6	1504010	Chain Anchor (Single Hole) (Optional)	2	..
6	1369344	Chain Anchor (Dual Hole)	2
6	1504012	Chain Anchor (Single Hole) (Optional)	2
7	317735	Pin	2	2
8	131358	Snap Ring.....	4	4
9	1514866	Pin	2	2
10	15211	Cotter Pin	2	2
	a 386422	Snap Ring.....	6	6

FOOTNOTES:**a** Not Illustrated