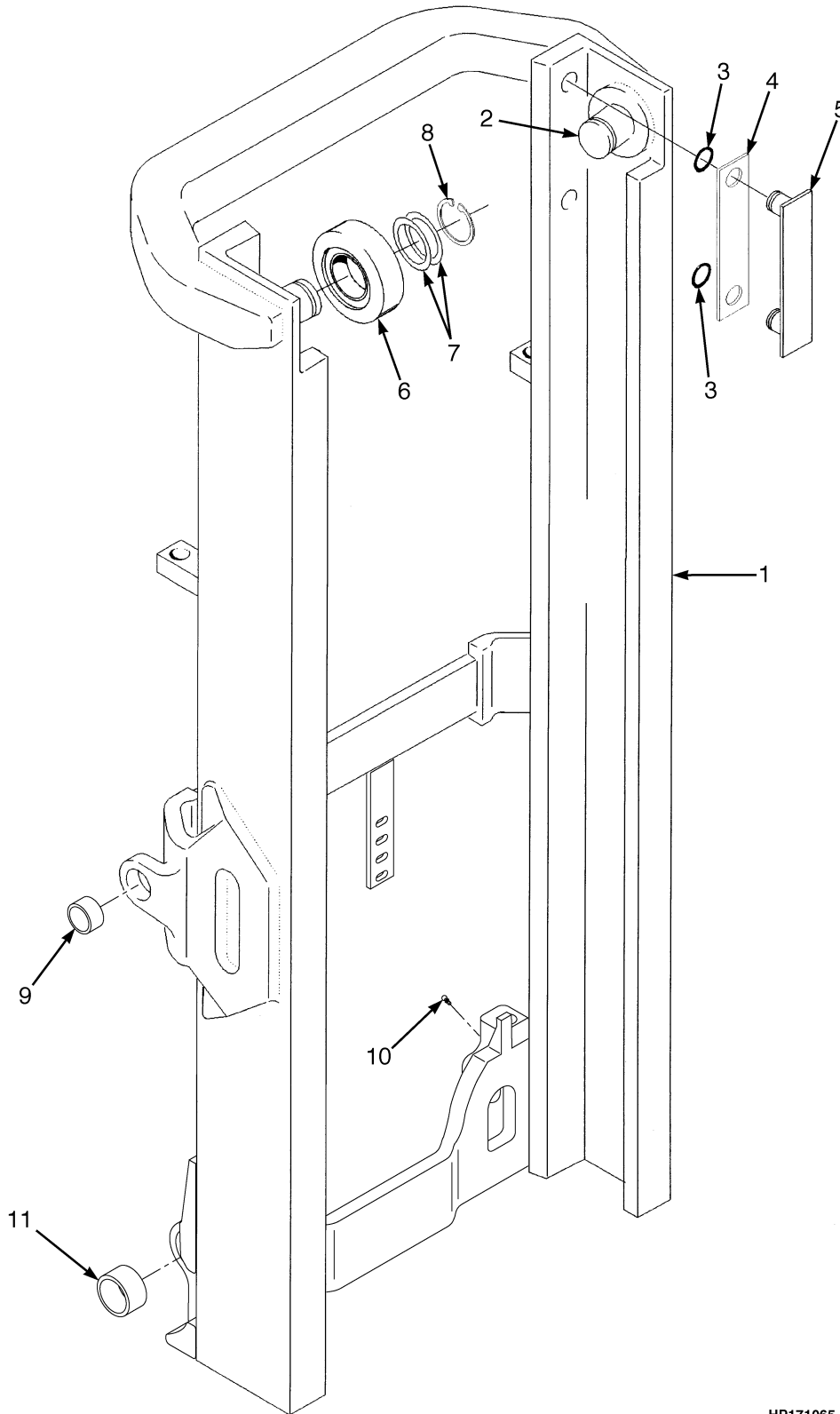


OUTER MAST (Figure 10-1) TWO STAGE LIMITED FREE-LIFT



HP171065

**OUTER MAST
TWO STAGE LIMITED FREE-LIFT**

H2.0-2.5FT

ITEM	DESCRIPTION	LIFT HEIGHT TO BOTTOM OF FORKS			
		1 2 3 4	3252 mm	3752 mm	4292 mm
	Mast Group Number	D507 3252	D507 3752	D507 4292	D507 4792
1	Outer Mast	1524755	1524760	1524766	1524771

H3.0-3.5FT

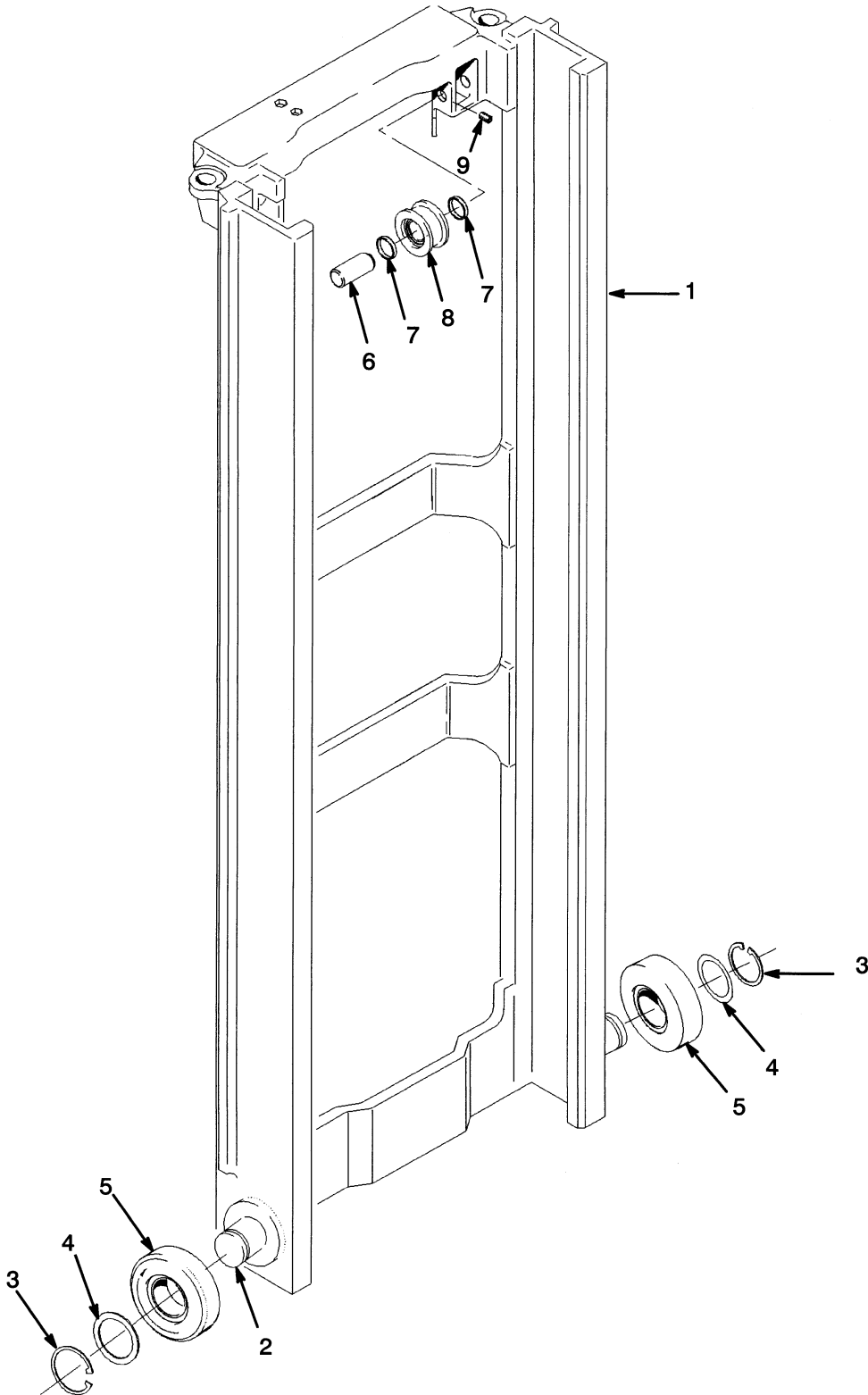
ITEM	DESCRIPTION	LIFT HEIGHT TO BOTTOM OF FORKS			
		1 2 3 4	3059 mm	3559 mm	4059 mm
	Mast Group Number	D562 3059	D562 3559	D562 4059	D562 4559
1	Outer Mast	1524755	1524760	1524766	1524771

ITEM	PART NO.	DESCRIPTION	QTY
1	a	Outer Mast	1
2	1345216	Stubshaft	2
3	104506	O-Ring	4
4	131716	Shim (0,508 mm)	AR
5	215211	Bearing Strip	2
6	1333396	Load Roller (0,76 mm)	2
7	129387	Shim (0,508 mm)	AR
8	58901	Snap Ring	2
9	300982	Bushing	2
10	16001	Lube Fitting	2
11	1502811	Bushing	2

FOOTNOTES:

a Refer to Table

INNER MAST (Figure 10-2) TWO STAGE LIMITED FREE-LIFT



HP290008

**INNER MAST
TWO STAGE LIMITED FREE-LIFT**

H2.0-2.5FT

ITEM	DESCRIPTION	LIFT HEIGHT TO BOTTOM OF FORKS			
		1 2 3 4	3252 mm	3752 mm	4292 mm
	Mast Group Number	D507 3252	D507 3752	D507 4292	D507 4792
1	Inner Mast	1524798	1524803	1524808	1524813

H3.0-3.5FT

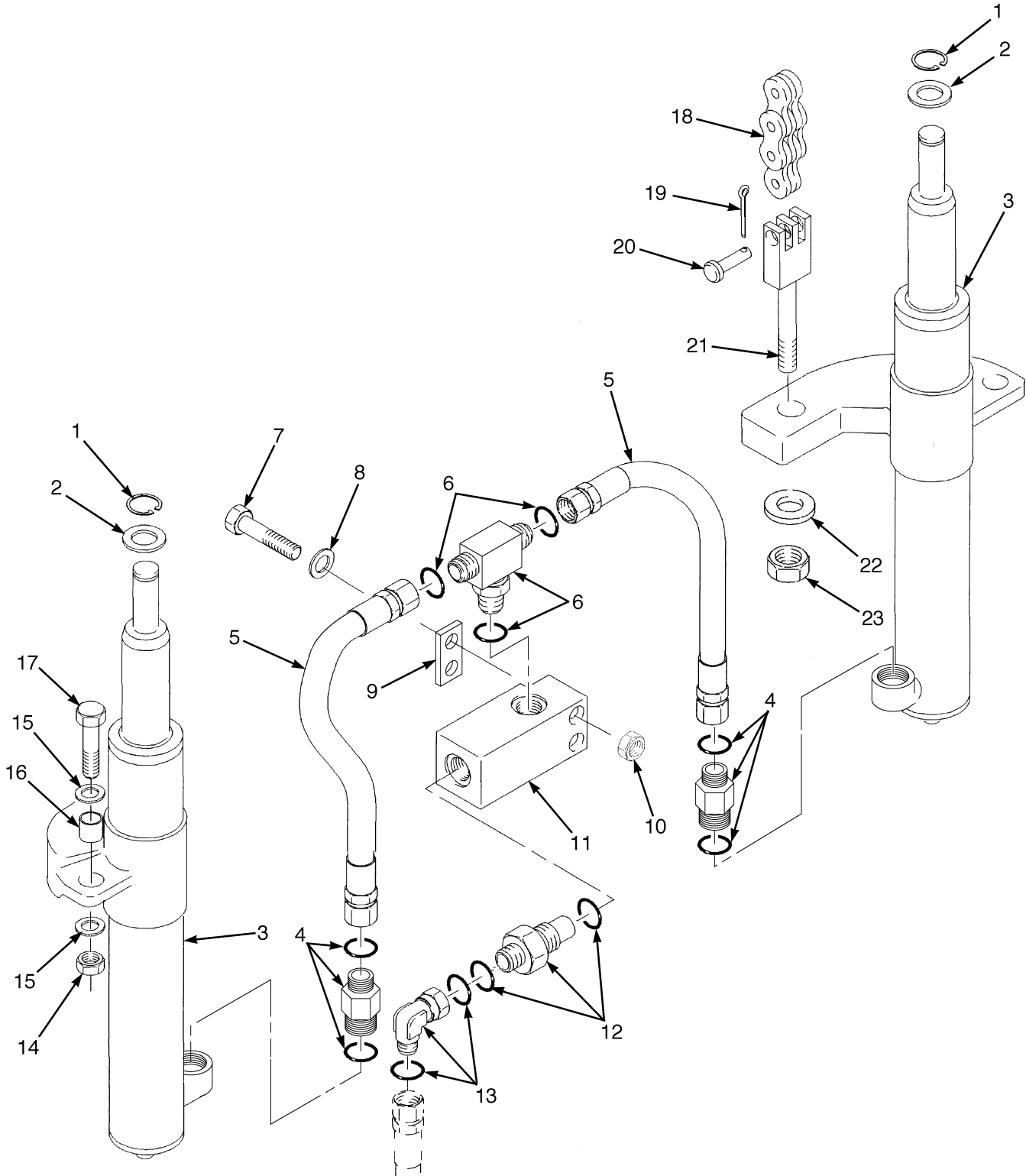
ITEM	DESCRIPTION	LIFT HEIGHT TO BOTTOM OF FORKS			
		1 2 3 4	3059 mm	3559 mm	4059 mm
	Mast Group Number	D562 3059	D562 3559	D562 4059	D562 4559
1	Inner Mast	1524798	1524803	1524808	1524813

ITEM	PART NO.	DESCRIPTION	QTY
1	a	Inner Mast.....	1
2	1345216	Stubshaft	2
3	58901	Snap Ring.....	2
4	129387	Shim (0,508 mm)	AR
5	1333396	Load Roller	2
6	1368656	Pin	2
7	1378691	Spacer	4
8	1379684	Chain Sheave Assembly (H2.0-2.5FT)	2
8	1379685	Chain Sheave Assembly (H3.0-3.5FT)	2
8	1378698	Chain Sheave.....	1
8	1378694	Chain Sheave.....	1
8	37752	Snap Ring.....	1
8	1378699	Bearing.....	1
9	302462	Pin	2

FOOTNOTES:

a Refer to Table

MAIN LIFT (Figure 10-3) TWO STAGE LIMITED FREE-LIFT



HP290003

**MAIN LIFT
TWO STAGE LIMITED FREE-LIFT**

ITEM	PART NO.	DESCRIPTION	QTY
1	131358	Snap Ring.....	2
2	1333382	Washer (1.50 mm).....	2
2	1354915	Washer (0,254 mm).....	AR
2	1354916	Washer (0,762 mm).....	AR
2	1354917	Washer (1,524 mm).....	AR
3	Main Lift Cylinders (☞ Figure 10-4)	2
4	2062686	Velocity Fuse (H2.0-2.5FT).....	2
4	2062687	Velocity Fuse (H3.0-3.5FT).....	2
4	16485	O-Ring	2
4	252729	O-Ring	2
5	1481097	Hose	2
6	1532650	Fitting.....	1
6	252729	O-Ring	2
6	16485	O-Ring	1
7	1581836	Capscrew.....	2
8	1581566	Nut	2
9	1354913	Spacer	1
10	1581566	Nut	2
11	1379687	Housing (Lowering Control).....	1
12	2062651	Valve (Lowering Control) (H2.0-2.5FT).....	1
12	2062652	Valve (Lowering Control) (H3.0-3.5FT).....	1
12	16982	O-Ring	1
12	252729	O-Ring	1
13	1486773	Fitting.....	1
13	252729	O-Ring	2
14	1581849	Nut	2
15	1581852	Washer	4
16	323090	Spacer	2
17	1581829	Capscrew.....	2
18	223389	Chain (H2.0-2.5FT 3252 mm).....	2
18	246994	Chain (H2.0-2.5FT 3752 mm and 4292 mm).....	2
18	336393	Chain (H2.0-2.5FT 4792 mm).....	2
18	1342383	Chain (H3.0-3.5FT 3059 mm).....	2
18	1342393	Chain (H3.0-3.5FT 3559 mm).....	2
18	1359234	Chain (H3.0-3.5FT 4059 mm).....	2
18	1342392	Chain (H3.0-3.5FT 4559 mm).....	2
19	15211	Cotter Pin.....	2
20	1514866	Pin	2
21	1369357	Chain Anchor (H2.0-2.5FT)	2
21	1369356	Chain Anchor (H3.0-3.5FT)	2
22	297649	Base Ring	2
23	161003	Nut	2

**MAIN LIFT CYLINDERS
TWO STAGE LIMITED FREE-LIFT****LEFT HAND**

ITEM	DESCRIPTION 1 2 3 4	LIFT HEIGHT TO BOTTOM OF FORKS			
		3059 mm	3252 mm	3559 mm	3752 mm
	Mast Group Number	D562 3059	D507 3252	D562 3559	D507 3752
Cylinder Group Number	8518009	8517709	8518014	8517714	
	Main Lift Cylinder	2064352	2064142	2064357	2064147
1	Shell	2064278	2064202	2064283	2064207
9	Rod	1355367	1355158	1355391	1355178

LEFT HAND (CONT.)

ITEM	DESCRIPTION 1 2 3 4	LIFT HEIGHT TO BOTTOM OF FORKS			
		4059 mm	4292 mm	4559 mm	4792 mm
	Mast Group Number	D562 4059	D507 4292	D562 4559	D507 4792
Cylinder Group Number	8518802	8517719	8518807	8518101	
	Main Lift Cylinder	2064379	2064152	2064384	2064106
1	Shell	2064288	2064212	2064293	2064218
9	Rod	1355414	1355199	1355434	1355217

RIGHT HAND

ITEM	DESCRIPTION 1 2 3 4	LIFT HEIGHT TO BOTTOM OF FORKS			
		3059 mm	3252 mm	3559 mm	3752 mm
	Mast Group Number	D562 3059	D507 3252	D562 3559	D507 3752
Cylinder Group Number	8518059	8517759	8518064	8517764	
	Main Lift Cylinder	2064369	2064166	2064374	2064171
1	Shell	2064314	2064239	2064319	2064245
9	Rod	1355367	1355158	1355391	1355178

MAIN LIFT CYLINDERS TWO STAGE LIMITED FREE-LIFT

RIGHT HAND (CONT.)

ITEM	DESCRIPTION	LIFT HEIGHT TO BOTTOM OF FORKS			
		4059 mm	4292 mm	4559 mm	4792 mm
	1 2 3 4				
	Mast Group Number	D562 4059	D507 4292	D562 4559	D507 4792
	Cylinder Group Number	8518852	8517769	8518857	8518151
	Main Lift Cylinder	2064399	2064176	2064404	2064120
1	Shell	2064324	2064250	2064343	2064256
9	Rod	1355414	1355199	1355434	1355217

KEY:
A: H2.0-2.5FT
B: H3.0-3.5FT

ITEM	PART NO.	DESCRIPTION	QTY	
			A	B
	a	Main Lift Cylinder.....	1	1
1	a	Shell	1	1
2	187388	Snap Ring.....	1	1
3	297531	Washer	1	1
4	39348	O-Ring	1	1
5	257913	Check Valve.....	1	1
6	1356750	Wear Ring	1	..
6	1356751	Wear Ring	1
6	322902	Wear Ring	1
7	2013075	Seal	1	..
7	334156	Seal	1
8	638246	Back-Up Ring	1	..
8	335012	Back-Up Ring	1
8	322824	Back-Up Ring	1
9	a	Rod.....	1	1
10	92861	O-Ring	1	..
10	59229	O-Ring	1
11	1356749	Rod Seal.....	1	..
11	1356752	Rod Seal.....	1	1
11	1381095	Rod Seal.....	..	1
12	1319668	Wiper Ring.....	1	1
12	1310370	Wiper Ring.....	1	1
13	1355496	Gland (D507-3252 mm, D507-3752 mm, D507-4292 mm)	1	..
13	1355220	Gland (D507-4792 mm).....	1	..
13	1355713	Gland (D562-3059 mm, D562-3559 mm).....	..	1
13	1355409	Gland (D562-4059 mm, D562-4559 mm).....	..	1
	1355276	Seal Kit (D507-3252 mm, D507-3752 mm, D507-4292 mm) (Includes Items 4, 6-8, 10-12)	1	..
	1355277	Seal Kit (D507-4792 mm) (Includes Items 4, 6-8, 10-12)	1	..

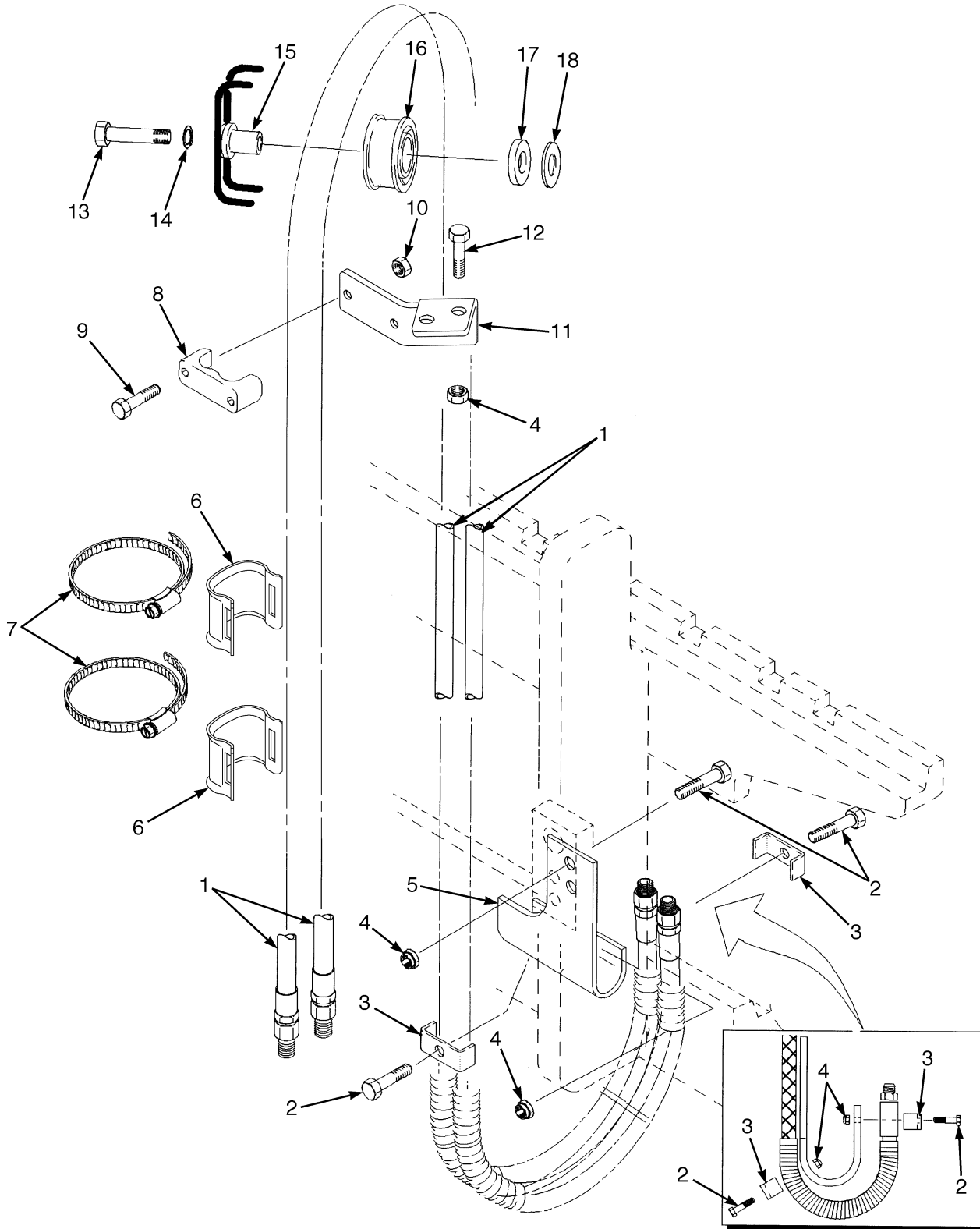
**MAIN LIFT CYLINDERS
TWO STAGE LIMITED FREE-LIFT**

ITEM	PART NO.	DESCRIPTION	QTY	
			A	B
	1499111	Seal Kit (D562-3059 mm, D562-3559 mm) (Includes Items 4, 6-8, 10-12)	1
	1355411	Seal Kit (D562-4059 mm, D562-4559 mm) (Includes Items 4, 6-8, 10-12)	1

FOOTNOTES:

a Refer to Table

HEADER HOSES (Figure 10-5) TWO STAGE LIMITED FREE-LIFT



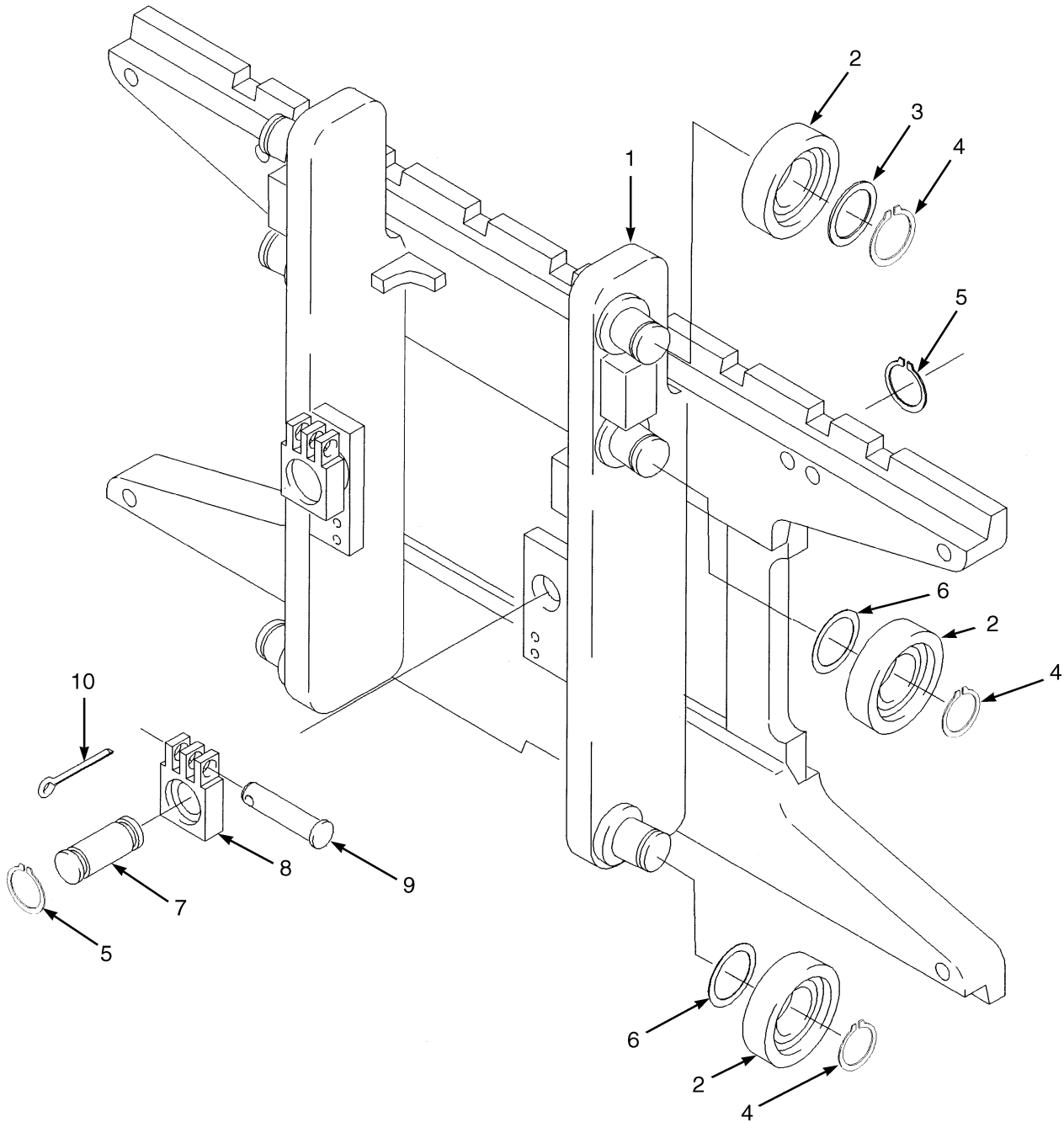
HP170914

**HEADER HOSES
TWO STAGE LIMITED FREE-LIFT****KEY:****A: Three Function****B: Four Function**

ITEM	PART NO.	DESCRIPTION	QTY	
			A	B
1	2065138	Hose (3059 mm, 3252 mm)	2	4
1	2065143	Hose (3752 mm, 3559 mm)	2	4
1	2065148	Hose (4292 mm, 4059 mm)	2	4
1	2065153	Hose (4792 mm, 4559 mm)	2	4
2	1581582	Capscrew	4	8
3	1345348	Clamp	2	4
4	1581566	Nut	6	12
5	1345412	Bracket (RH)	1	..
5	1345413	Bracket (LH)	1	1
6	1477996	Clamp	3	6
7	1481229	Clamp	1	2
8	1360386	Clamp	1	2
9	1581834	Capscrew	2	4
10	1581565	Nut	2	4
11	1354919	Bracket (RH)	1	..
11	1354921	Bracket (LH)	1	1
12	1581836	Capscrew	2	4
13	1581830	Capscrew	1	2
14	1581564	Lockwasher	1	2
15	1360548	Stubshaft	1	2
16	1494017	Sheave	1	2
17	1360549	Spacer	1	2
18	1345190	Washer	1	2
	a 1529015	Cap	2	4

FOOTNOTES:**a** Not Illustrated

CARRIAGE (Figure 10-6) TWO STAGE LIMITED FREE-LIFT



HP290013

**CARRIAGE
TWO STAGE LIMITED FREE-LIFT****KEY:****A: H2.0-2.5FT****B: H3.0-3.5FT**

ITEM	PART NO.	DESCRIPTION	QTY	
			A	B
	1343846	Carriage Assembly (1067 mm)	1	..
	1477647	Carriage Assembly (1067 mm)	1
1	1338616	Frame	1	..
1	1477930	Frame	1
1	1345264	Stubshaft.....	6	6
2	1345219	Load Roller	6	6
3	366116	Spacer	2	2
4	12891	Snap Ring.....	6	6
5	131358	Snap Ring.....	4	4
6	1345263	Shim (0,508 mm).....	AR	AR
7	1353408	Pin	2	2
8	1369345	Chain Anchor (Dual Hole)	2	..
8	1504010	Chain Anchor (Single Hole) (Optional)	2	..
8	1369344	Chain Anchor (Dual Hole)	2
8	1504012	Chain Anchor (Single Hole) (Optional)	2
9	1514866	Pin	2	2
10	15211	Cotter Pin	2	2
	a 386422	Snap Ring.....	6	6

FOOTNOTES:**a** Not Illustrated