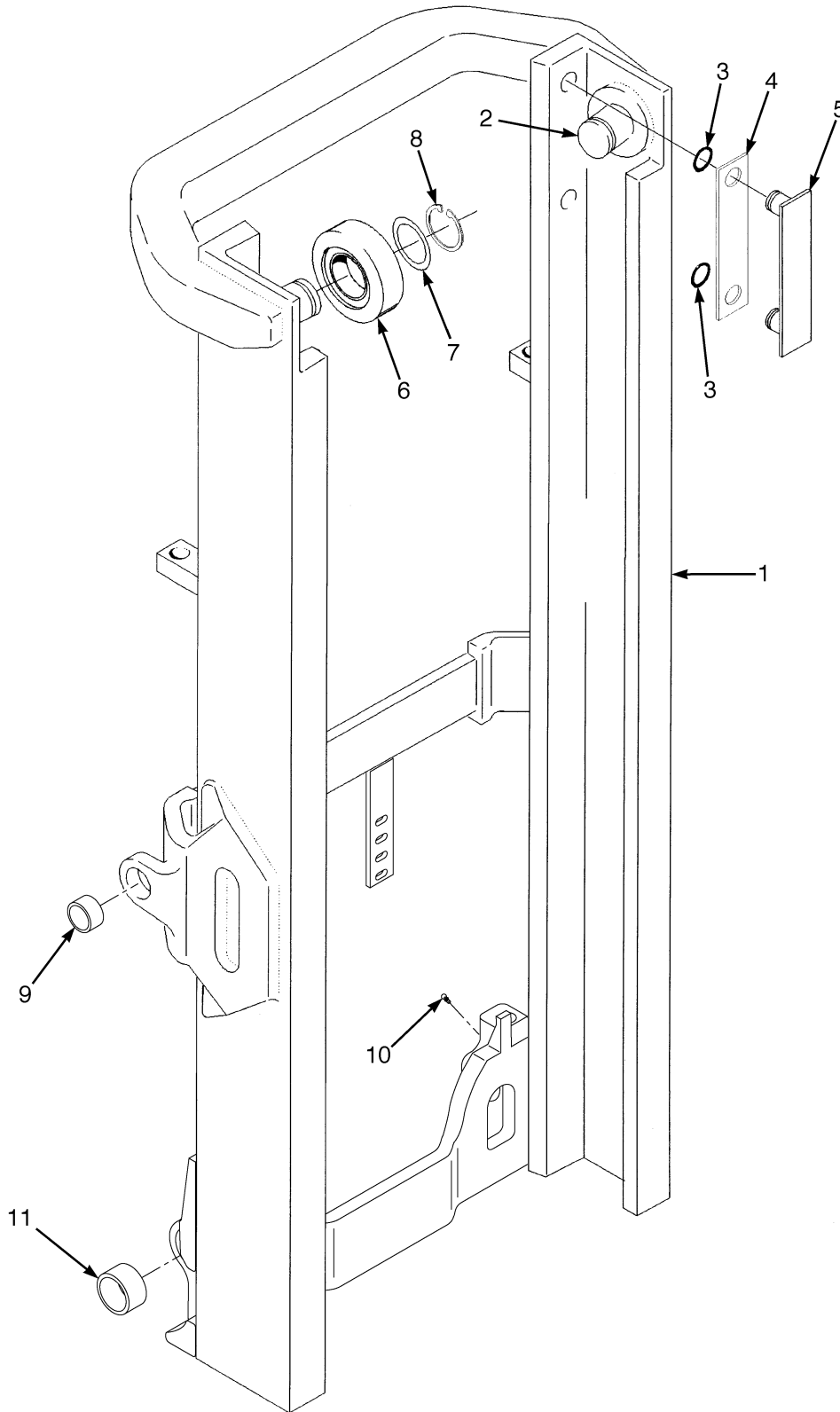


OUTER MAST (Figure 12-1) THREE STAGE FULL FREE-LIFT



HP290019

**OUTER MAST
THREE STAGE FULL FREE-LIFT**

H2.0-2.5FT

ITEM	DESCRIPTION	LIFT HEIGHT TO BOTTOM OF FORKS			
		1 2 3 4	4310 mm	4910 mm	5510 mm
	Mast Group Number	D508 4310	D508 4910	D508 5510	D508 5960
1	Outer Mast	1524751	1524755	1524760	1524763

H3.0-3.5FT

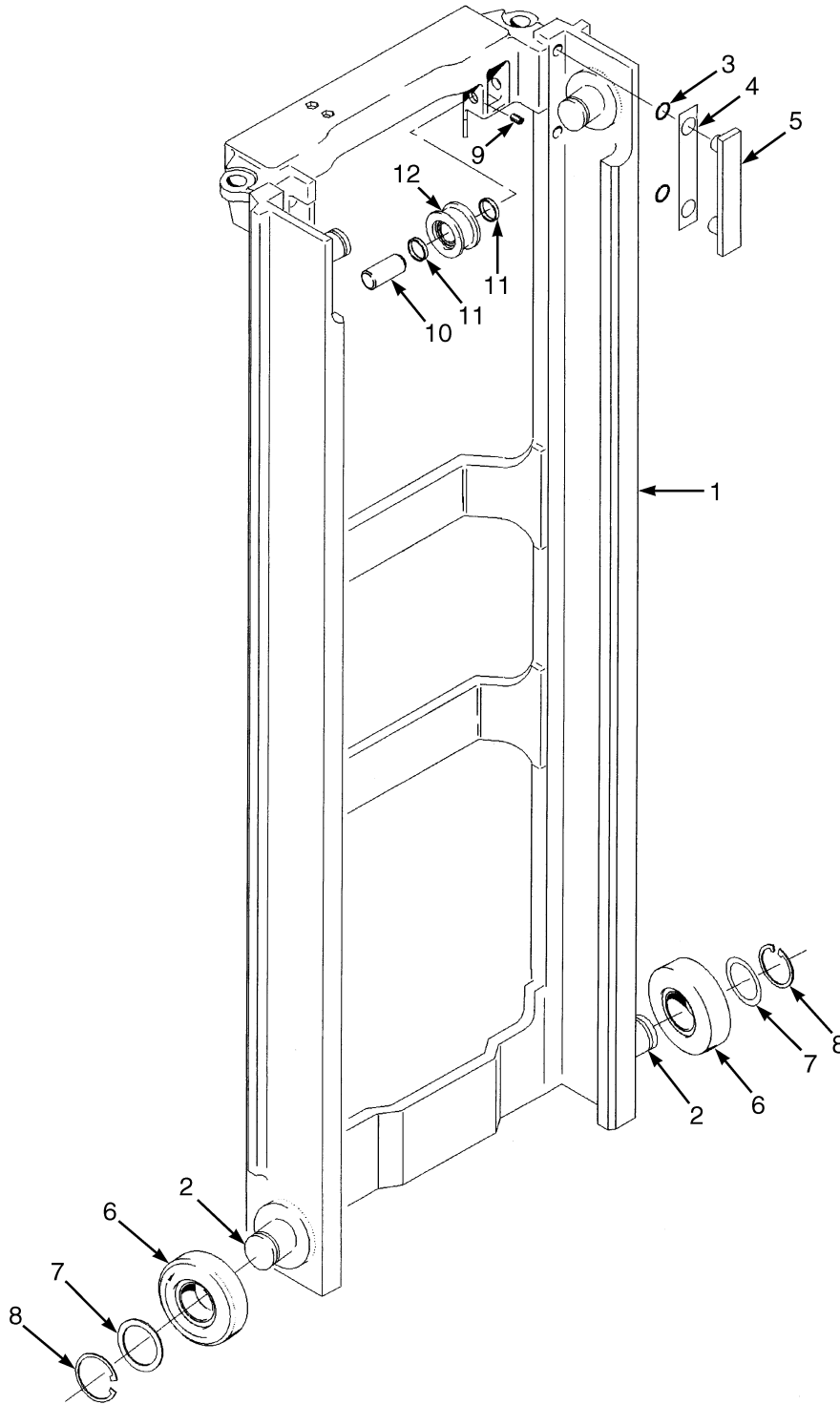
ITEM	DESCRIPTION	LIFT HEIGHT TO BOTTOM OF FORKS				
		1 2 3 4	3968 mm	4568 mm	4868 mm	5168 mm
	Mast Group Number	D563 3968	D563 4568	D563 4868	D563 5168	D563 5768
1	Outer Mast	1524751	1524755	1524758	1524760	1524764

ITEM	PART NO.	DESCRIPTION	QTY
1	a	Outer Mast	1
2	1345216	Stubshaft	2
3	104506	O-Ring	4
4	131716	Shim (0,508 mm)	AR
4	131715	Shim (0,178 mm) (Optional)	AR
5	215211	Bearing Strip	2
6	1333396	Load Roller	2
7	129387	Shim (0,508 mm)	AR
8	58901	Snap Ring	2
9	300982	Bushing	2
10	16001	Lube Fitting	2
11	1502811	Bushing	2

FOOTNOTES:

a Refer to Table

INTERMEDIATE MAST (Figure 12-2) THREE STAGE FULL FREE-LIFT



HP290018

**INTERMEDIATE MAST
THREE STAGE FULL FREE-LIFT**

H2.0-2.5FT

ITEM	DESCRIPTION	LIFT HEIGHT TO BOTTOM OF FORKS			
		1	2	3	4
			4310 mm	4910 mm	5510 mm
	Mast	D508	D508	D508	D508
	Group Number	4310	4910	5510	5960
1	Intermediate Mast	1524831	1524835	1524839	1524842

H3.0-3.5FT

ITEM	DESCRIPTION	LIFT HEIGHT TO BOTTOM OF FORKS				
		1	2	3	4	
			3968 mm	4568 mm	4868 mm	5168 mm
	Mast	D563	D563	D563	D563	D563
	Group Number	3968	4568	4868	5168	5768
1	Intermediate Mast	1524831	1524835	1524837	1524839	1524843

KEY:

A: H2.0-2.5FT

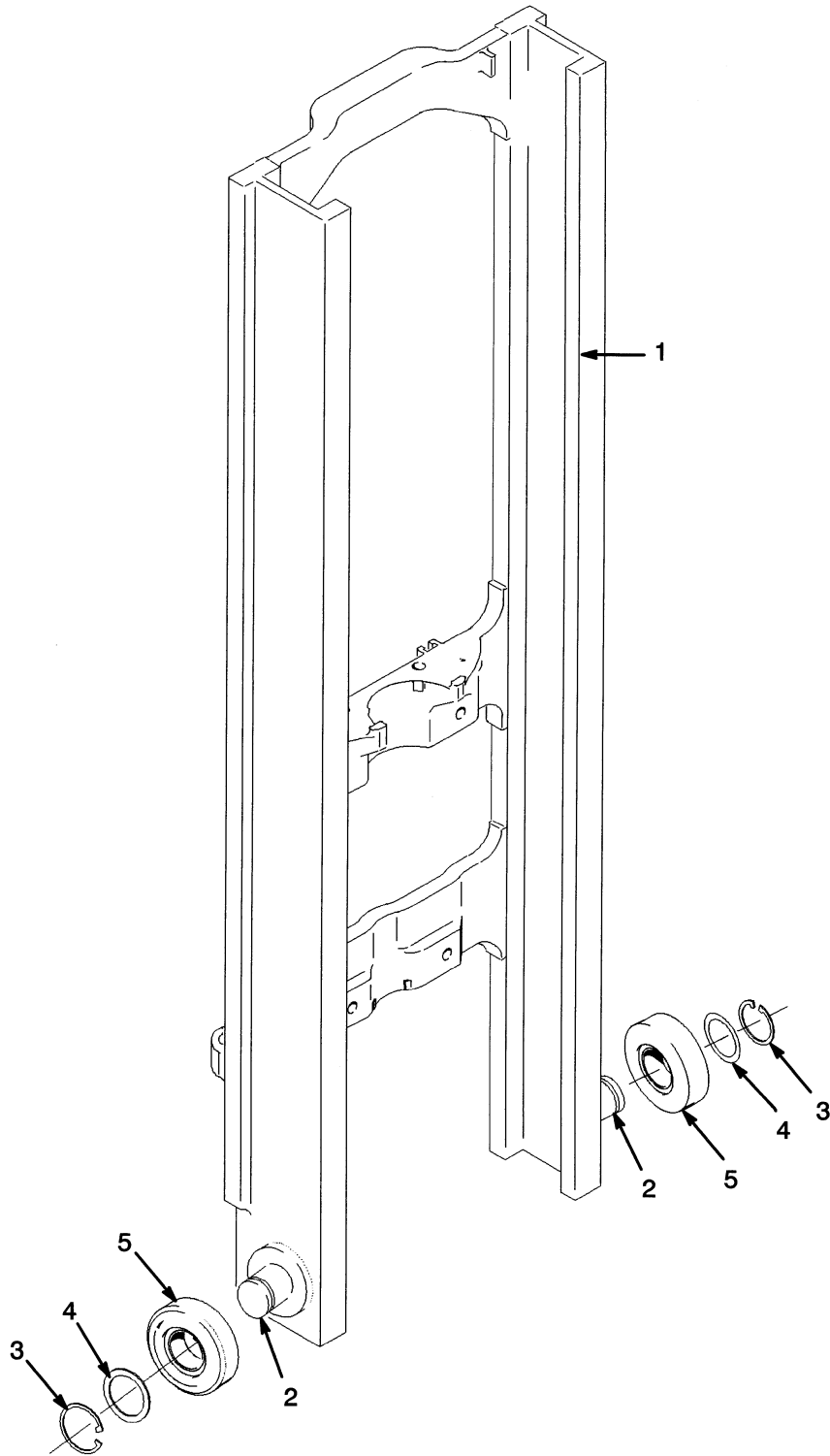
B: H3.0-3.5FT

ITEM	PART NO.	DESCRIPTION	QTY	
			A	B
1	a	Intermediate Mast.....	1	1
2	1345216	Stubshaft	2	2
3	104506	O-Ring	4	4
4	131716	Shim (0,508 mm)	AR	AR
4	131715	Shim (0,178 mm) (Optional)	AR	AR
5	215211	Bearing Strip	2	2
6	1333396	Load Roller	4	4
7	129387	Shim (0,508 mm)	AR	AR
8	58901	Snap Ring	4	4
9	302462	Pin	2	2
10	1368656	Pin	2	2
11	1378691	Spacer	4	4
12	1379685	Chain Sheave Assembly.....	2	..
12	1379684	Chain Sheave Assembly.....	..	2
12	1378698	Chain Sheave	1	..
12	1378694	Chain Sheave	1
12	37752	Snap Ring.....	1	1
12	1378699	Bearing.....	1	1

FOOTNOTES:

a Refer to Table

INNER MAST (Figure 12-3) THREE STAGE FULL FREE-LIFT



HP290017

**INNER MAST
THREE STAGE FULL FREE-LIFT**

H2.0-2.5FT

ITEM	DESCRIPTION 1 2 3 4	LIFT HEIGHT TO BOTTOM OF FORKS			
		4310 mm	4910 mm	5510 mm	5960 mm
	Mast Group Number	D508 4310	D508 4910	D508 5510	D508 5960
1	Inner Mast	1381354	1381358	1381362	1381365

H3.0-3.5FT

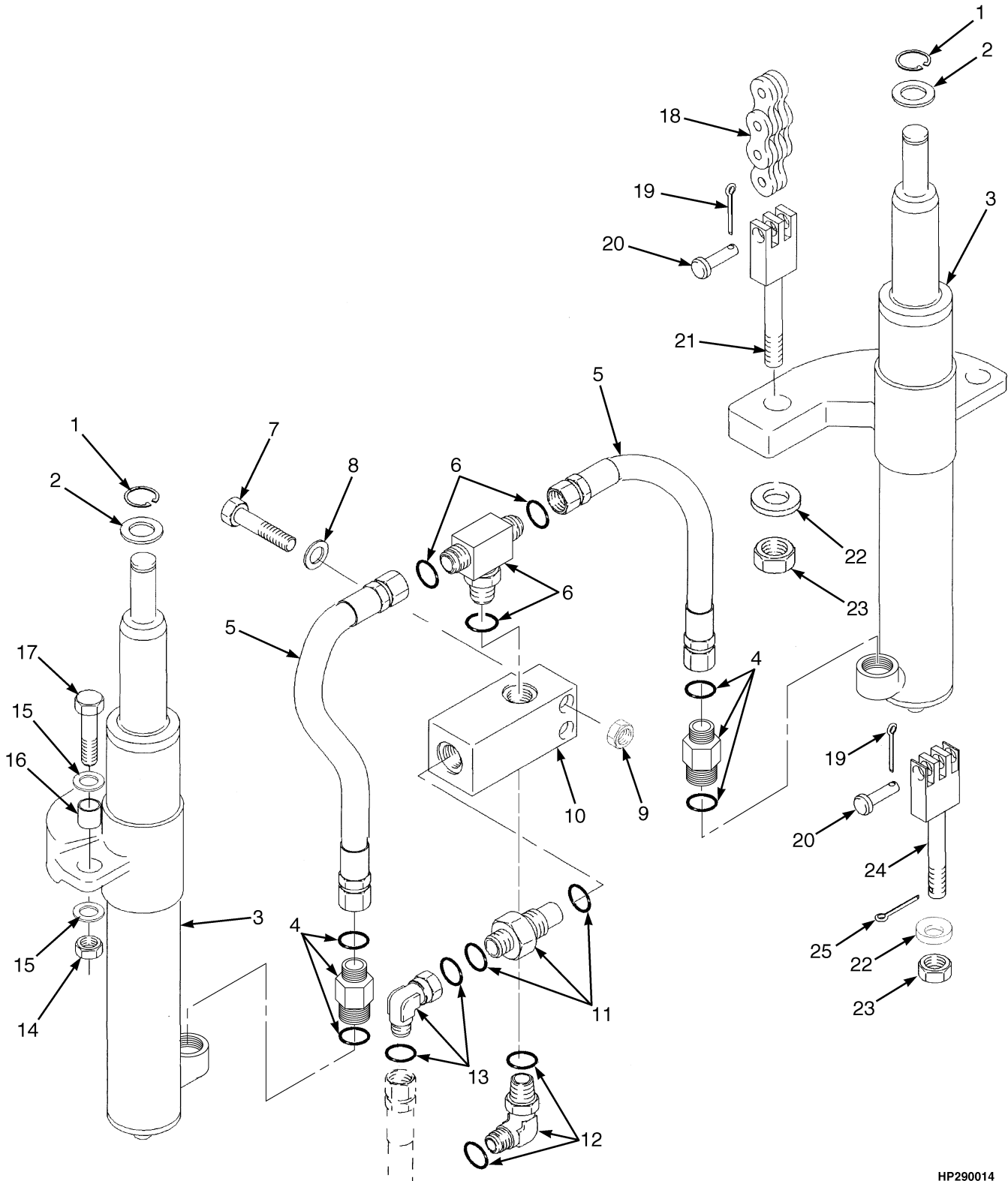
ITEM	DESCRIPTION 1 2 3 4	LIFT HEIGHT TO BOTTOM OF FORKS				
		3968 mm	4568 mm	4868 mm	5168 mm	5768 mm
	Mast Group Number	D563 3968	D563 4568	D563 4868	D563 5168	D563 5768
1	Inner Mast	1381354	1381358	1381360	1381362	1381366

ITEM	PART NO.	DESCRIPTION	QTY
1	a	Inner Mast.....	1
2	1345216	Stubshaft	2
3	58901	Snap Ring.....	2
4	129387	Shim (0,508 mm)	AR
5	1333396	Load Roller	2

FOOTNOTES:

a Refer to Table

MAIN LIFT (Figure 12-4) THREE STAGE FULL FREE-LIFT



HP290014

**MAIN LIFT
THREE STAGE FULL FREE-LIFT**

H2.0-2.5FT

ITEM	DESCRIPTION	LIFT HEIGHT TO BOTTOM OF FORKS				
		1 2 3 4	4310 mm	4910 mm	5510 mm	5960 mm
	Mast Group Number	D508 4310	D508 4910	D508 5510	D508 5960	
18	Chain		182343	337174	135588	335041

H3.0-3.5FT

ITEM	DESCRIPTION	LIFT HEIGHT TO BOTTOM OF FORKS					
		1 2 3 4	3968 mm	4568 mm	4868 mm	5168 mm	5768 mm
	Mast Group Number	D563 3968	D563 4568	D563 4868	D563 5168	D563 5768	
18	Chain		1342120	1342124	1342127	1342129	1342132

KEY:

A: H2.0-2.5FT

B: H3.0-3.5FT

ITEM	PART NO.	DESCRIPTION	QTY	
			A	B
1	131358	Snap Ring	2	2
2	1333382	Washer (1.50 mm)	2	2
2	1354915	Washer	AR	AR
2	1354916	Washer	AR	AR
2	1354917	Washer	AR	AR
3	Main Lift Cylinders (☞ Figure 12-5)	2	2
4	2062686	Velocity Fuse	2	..
4	2062687	Velocity Fuse	2
4	16485	O-Ring	1	1
4	252729	O-Ring	1	1
5	1481097	Hose	2	2
6	1532650	Fitting	1	1
6	252729	O-Ring	2	2
6	16485	O-Ring	1	1
7	1581835	Capscrew	2	2
8	1581556	Washer	2	2
9	1581566	Nut	2	2
10	1333392	Housing	1	1
11	2062651	Valve (Lowering Control)	1	..
11	2062652	Valve (Lowering Control)	1
11	280154	O-Ring	1	1
11	252729	O-Ring	1	1
12	1480747	Fitting	1	1
12	16486	O-Ring	1	1
12	244167	O-Ring	1	1
13	1486773	Fitting	1	1
13	252729	O-Ring	1	1

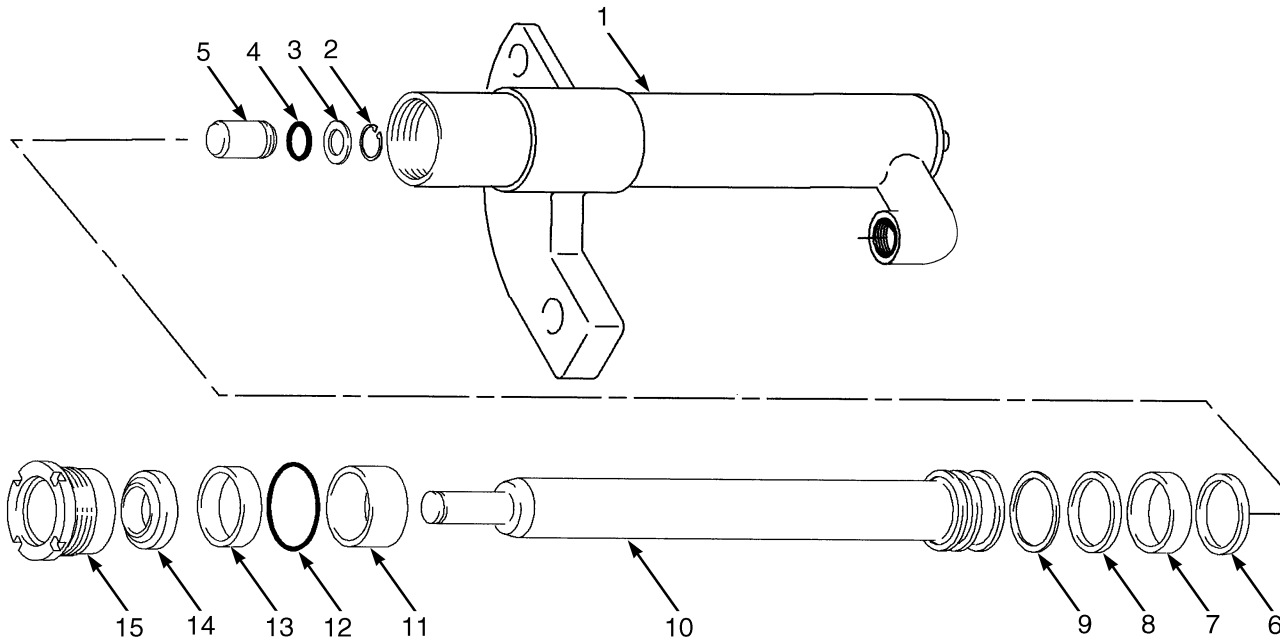
MAIN LIFT THREE STAGE FULL FREE-LIFT

ITEM	PART NO.	DESCRIPTION	QTY	
			A	B
14	1581849	Nut	2	2
15	1581852	Washer	4	4
16	323090	Spacer	2	2
17	1581829	Capscrew	2	2
18	a	Chain	1	1
19	15211	Cotter Pin	4	4
20	1514866	Pin	4	4
21	1369357	Chain Anchor	2	..
21	1369356	Chain Anchor	2
22	297649	Base Ring	4	4
23	161003	Nut	4	4
24	1365140	Chain Anchor	2	..
24	1333329	Chain Anchor	2
25	15223	Cotter Pin	2	2

FOOTNOTES:

a Refer to Table

MAIN LIFT CYLINDERS (Figure 12-5) THREE STAGE FULL FREE-LIFT



BP170102

**MAIN LIFT CYLINDERS
THREE STAGE FULL FREE-LIFT****LEFT HAND**

ITEM	DESCRIPTION 1 2 3 4	LIFT HEIGHT TO BOTTOM OF FORKS				
		3968 mm	4310 mm	4568 mm	4868 mm	4910 mm
	Mast Group Number	D563 3968	D508 4310	D563 4568	D563 4868	D508 4910
Cylinder Group Number	8518305	8518205	8518309	8518311	8518209	
	Main Lift Cylinder	2064706	2064640	2064710	2064712	2064644
1	Shell	2064583	2064607	2064563	2064565	2064611
10	Rod	1355729	1355587	1355745	1355710	1355603

LEFT HAND (CONT.)

ITEM	DESCRIPTION 1 2 3 4	LIFT HEIGHT TO BOTTOM OF FORKS			
		5168 mm	5510 mm	5768 mm	5960 mm
	Mast Group Number	D563 5168	D508 5510	D563 5768	D508 5960
Cylinder Group Number	8518313	8518213	8518317	8518216	
	Main Lift Cylinder	2064714	2064648	2064718	2064651
1	Shell	2064567	2064615	2064571	2064618
10	Rod	1355758	1355620	1355775	1355633

RIGHT HAND

ITEM	DESCRIPTION 1 2 3 4	LIFT HEIGHT TO BOTTOM OF FORKS				
		3968 mm	4310 mm	4568 mm	4868 mm	4910 mm
	Mast Group Number	D563 3968	D508 4310	D563 4568	D563 4868	D508 4910
Cylinder Group Number	8518355	8518255	8518359	8518361	8518259	
	Main Lift Cylinder	2064731	2064673	2064735	2064737	2064677
1	Shell	2064559	2073082	2064587	2064589	2073084
10	Rod	1355729	1355587	1355745	1355710	1355603

MAIN LIFT CYLINDERS THREE STAGE FULL FREE-LIFT

RIGHT HAND (CONT.)

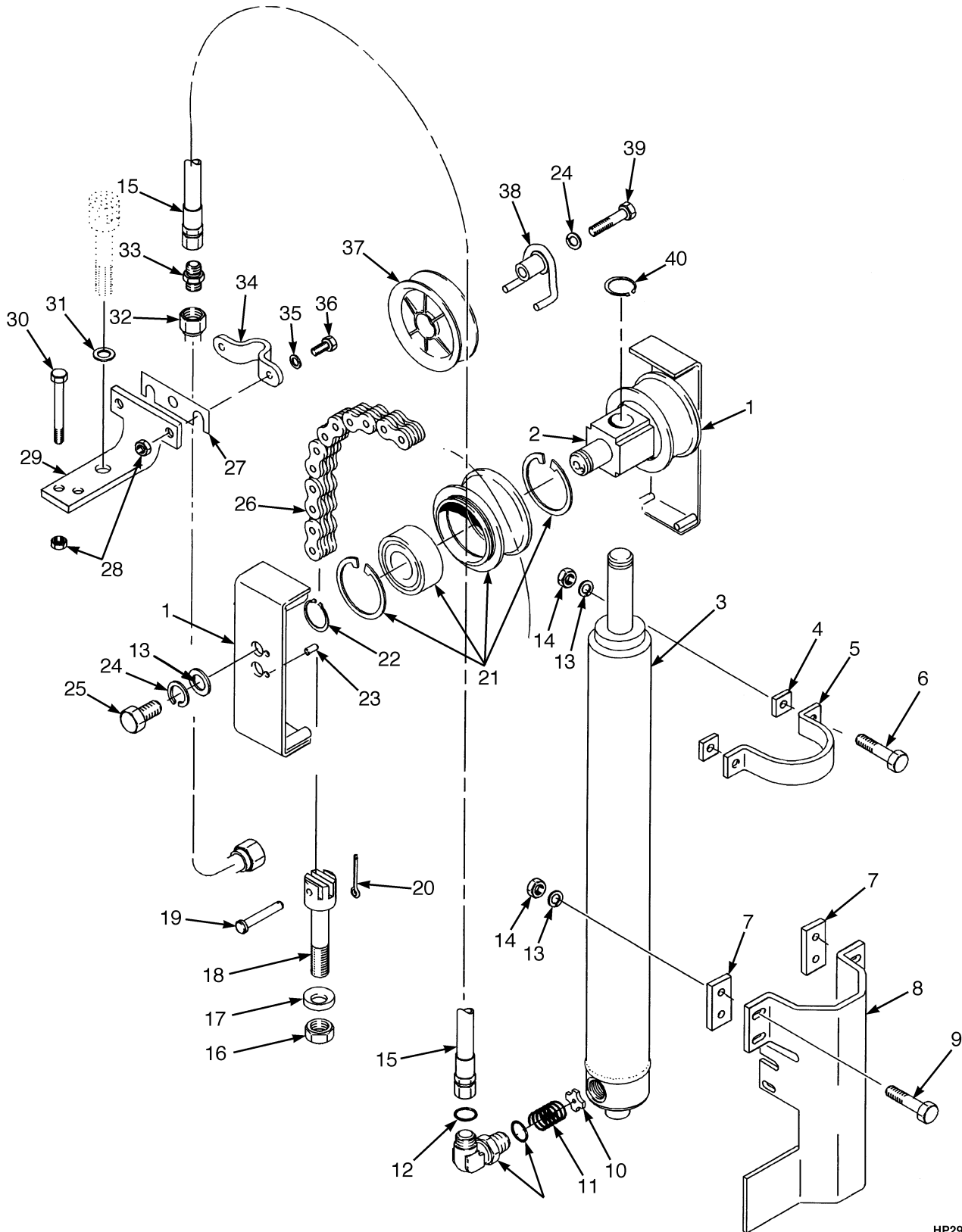
ITEM	DESCRIPTION	LIFT HEIGHT TO BOTTOM OF FORKS			
		1 2 3 4	5168 mm	5510 mm	5768 mm
		Mast Group Number	D563 5168	D508 5510	D563 5768
	Cylinder Group Number	8518363	8518263	8518367	8518266
	Main Lift Cylinder	2064739	2064681	2064743	2064684
1	Shell	2064591	2073086	2064595	2079984
10	Rod	1355758	1355620	1355775	1355633

KEY:
A: H2.0-2.5FT
B: H3.0-3.5FT

ITEM	PART NO.	DESCRIPTION	QTY	
			A	B
	a	Main Lift Cylinder.....	1	1
1	a	Shell	1	1
2	187388	Snap Ring.....	1	1
3	297531	Washer	1	1
4	39348	O-Ring	1	1
5	257913	Check Valve.....	1	1
6	1360127	Piston Ring.....	1	..
6	1356748	Piston Ring.....	..	1
7	1356750	Wear Ring	1	..
7	1356751	Wear Ring	1
8	2013075	Seal	1	..
8	334156	Seal	1
9	638246	Back-Up Ring	1	..
9	335012	Back-Up Ring	1
10	a	Rod.....	1	1
11	1355610	Spacer	1	..
11	2073087	Spacer	1
12	92861	O-Ring	1	..
12	59229	O-Ring	1
13	1381095	Rod Seal.....	1	1
14	1319668	Wiper Ring.....	1	1
15	1355496	Gland.....	1	..
15	1355713	Gland.....	..	1
	1355497	Seal Kit (Includes Items 4, 6-9, 12-14)	1	..
	1355714	Seal Kit (Includes Items 4, 6-9, 12-14)	1

FOOTNOTES:
a Refer to Table

FREE-LIFT (Figure 12-6) THREE STAGE FULL FREE-LIFT



HP290015

**FREE-LIFT
THREE STAGE FULL FREE-LIFT**

H2.0-2.5FT

ITEM	DESCRIPTION	LIFT HEIGHT TO BOTTOM OF FORKS			
		4310 mm	4910 mm	5510 mm	5960 mm
	1 2 3 4 Mast Group Number	D508 4310	D508 4910	D508 5510	D508 5960
15	Hose	1481705	1481709	1481713	1481716
26	Chain	197345	161029	180057	180137
32	Tube	2075925	2075929	2075933	2075936

H3.0-3.5FT

ITEM	DESCRIPTION	LIFT HEIGHT TO BOTTOM OF FORKS				
		3968 mm	4568 mm	4868 mm	5168 mm	5768 mm
	1 2 3 4 Mast Group Number	D563 3968	D563 4568	D563 4868	D563 5168	D563 5768
15	Hose	1481705	1481709	1481711	1481713	1481717
26	Chain	1342391	1342116	1342380	1342121	1342384
32	Tube	2075925	2075929	2075931	2075933	2075937

KEY:

A: H2.0-2.5FT

B: H3.0-3.5FT

ITEM	PART NO.	DESCRIPTION	QTY	
			A	B
1	1395285	Chain Guard	2	2
2	1378690	Crosshead	1	1
3	Free-Lift Cylinder (☞ Figure 12-7)	1	1
4	1354902	Spacer	2
5	1465504	Clamp	1	1
6	1581827	Capscrew.....	2	..
6	1581828	Capscrew.....	..	2
7	1354903	Spacer	2
8	1354962	Bracket.....	1	1
9	1581832	Capscrew.....	4	4
10	356505	Washer (Special)	1	1
11	154355	Spring	1	1
12	1481095	Fitting.....	1	1
12	16485	O-Ring	1	1
12	16982	O-Ring	1	1
13	1581559	Washer	8	8
14	1581849	Nut	6	6
15	a	Hose	1	1
16	161003	Nut	2	2
17	297649	Base Ring	2	2
18	1369357	Chain Anchor.....	2	..
18	1369356	Chain Anchor.....	..	2

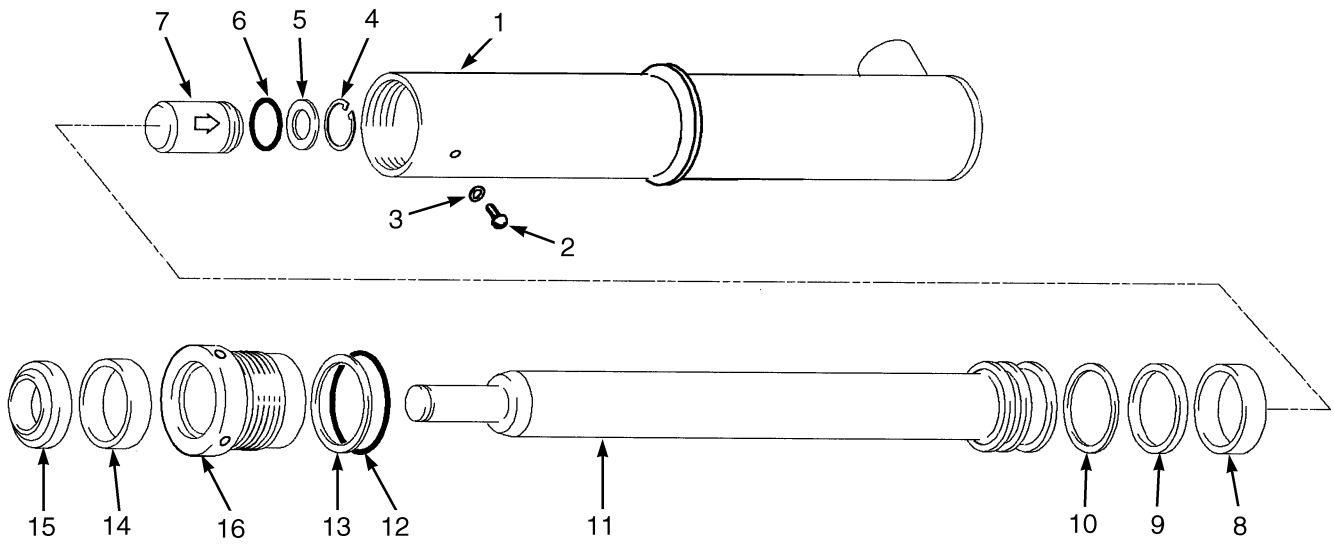
FREE-LIFT THREE STAGE FULL FREE-LIFT

ITEM	PART NO.	DESCRIPTION	QTY	
			A	B
19	1514866	Pin	2	2
20	15211	Cotter Pin.....	2	2
21	1379682	Chain Sheave Assembly.....	2	..
21	1379683	Chain Sheave Assembly.....	..	2
21	1378692	Sheave	1	..
21	1378693	Sheave	1
21	37752	Snap Ring.....	1	1
21	1378699	Bearing.....	1	1
22	304526	Snap Ring.....	2	2
23	302461	Pin	2	2
24	1581564	Lockwasher.....	3	3
25	1581590	Capscrew.....	2	2
26	a	Chain	2	2
27	325616	Spacer	AR	AR
28	1581566	Nut	4	4
29	1550298	Bracket.....	1	1
30	1581836	Capscrew.....	2	2
31	1581850	Washer	1	1
32	a	Tube	1	1
33	1522442	Fitting.....	1	1
33	244167	O-Ring	1	1
33	280154	O-Ring	1	1
34	1345401	Clamp	1	1
35	1581556	Washer	2	2
36	1581581	Capscrew.....	2	2
37	1343989	Hose Sheave	1	1
37	1354901	Bushing	1	1
38	1360534	Stubshaft	1	1
39	1581829	Capscrew.....	1	1
40	131358	Snap Ring.....	1	1

FOOTNOTES:

a Refer to Table

FREE-LIFT CYLINDER (Figure 12-7) THREE STAGE FULL FREE-LIFT



BP170103

**FREE-LIFT CYLINDER
THREE STAGE FULL FREE-LIFT**

H2.0-2.5FT

ITEM	DESCRIPTION 1 2 3 4	LIFT HEIGHT TO BOTTOM OF FORKS			
		4310 mm	4910 mm	5510 mm	5960 mm
	Mast Group Number	D508 4310	D508 4910	D508 5510	D508 5960
Cylinder Group Number	8514556	8514560	8514565	8514568	
	Free-Lift Cylinder	2053795	2053797	2053799	2058126
1	Shell	2058210	2058214	2058219	2058222
11	Rod	1356560	1356572	1371631	1356596

H3.0-3.5FT

ITEM	DESCRIPTION 1 2 3 4	LIFT HEIGHT TO BOTTOM OF FORKS				
		3968 mm	4568 mm	4868 mm	5168 mm	5768 mm
	Mast Group Number	D563 3968	D563 4568	D563 4868	D563 5168	D563 5768
Cylinder Group Number	8518707	8518711	8518714	8518716	8518721	
	Free-Lift Cylinder	2058324	2058328	2058331	2058333	2058338
1	Shell	2058251	2063691	2064046	2064754	2064753
11	Rod	1356682	1356694	1356068	1356074	1356089

KEY:

A: H2.0-2.5FT

B: H3.0-3.5FT

ITEM	PART NO.	DESCRIPTION	QTY	
			A	B
	a	Free-Lift Cylinder	1	1
1	a	Shell	1	1
2	1361302	Screw	1	1
3	190887	Seal	1	1
4	187388	Snap Ring.....	1	1
5	297531	Washer	1	1
6	39348	O-Ring	1	..
6	190580	O-Ring	1
7	257913	Check Valve.....	1	1
8	1358972	Wear Ring	1	..
8	636941	Wear Ring	1
9	2013088	Seal	1	..
9	309062	Seal	1
10	2013089	Back-Up Ring	1	..
10	637565	Back-Up Ring	1
11	a	Rod.....	1	1
12	90263	O-Ring	1	..
12	15880	O-Ring	1

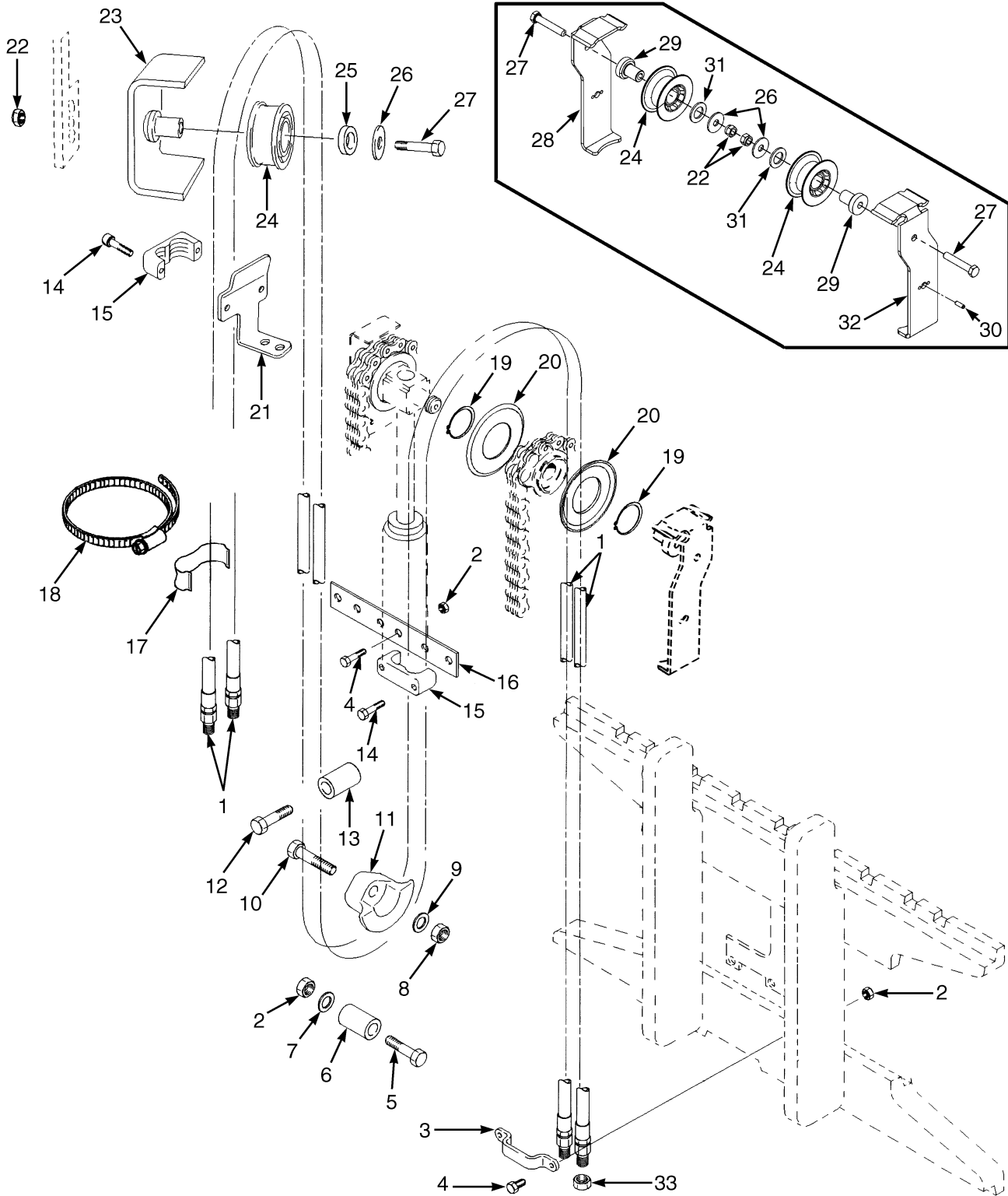
FREE-LIFT CYLINDER THREE STAGE FULL FREE-LIFT

ITEM	PART NO.	DESCRIPTION	QTY	
			A	B
13	147973	Back-Up Ring	1	..
13	164840	Back-Up Ring	1
14	1358970	Seal	1	1
15	2013099	Wiper Ring.....	1	1
16	1356292	Gland.....	1	..
16	1356661	Gland.....	..	1
	1358969	Seal Kit (Includes Items 3, 6, 8-10, 12-15)	1	..
	1356662	Seal Kit (Includes Items 3, 6, 8-10, 12-15)	1

FOOTNOTES:

a Refer to Table

HEADER HOSES (Figure 12-8) THREE STAGE FULL FREE-LIFT



HP020342

**HEADER HOSES
THREE STAGE FULL FREE-LIFT**

H2.0-2.5FT

ITEM	DESCRIPTION	LIFT HEIGHT TO BOTTOM OF FORKS			
		1 2 3 4	4310 mm	4910 mm	5510 mm
	Mast Group Number	D508 4310	D508 4910	D508 5510	D508 5960
1	Hose	2065121	2065125	2065164	2065167

H3.0-3.5FT

ITEM	DESCRIPTION	LIFT HEIGHT TO BOTTOM OF FORKS				
		1 2 3 4	3968 mm	4568 mm	4868 mm	5168 mm
	Mast Group Number	D563 3968	D563 4568	D563 4868	D563 5168	D563 5768
1	Hose	2065121	2065125	2065162	2065164	2065168

KEY:

A: Three Function

B: Four Function

ITEM	PART NO.	DESCRIPTION	QTY	
			A	B
1	a	Hose	2	4
2	1581566	Nut	5	10
3	1369333	Clamp	1	2
4	1581581	Capscrew.....	4	6
5	1581835	Capscrew.....	1	2
6	1354961	Hose Restraint.....	1	2
7	1581851	Washer	1	2
8	1581567	Nut	1	2
9	1581558	Washer	1	2
10	1581588	Capscrew.....	1	2
11	1348246	Hose Guide (RH)	1	1
11	1348247	Hose Guide (LH).....	..	1
12	1581831	Capscrew.....	1	2
13	1360538	Tube	1	2
14	1581842	Capscrew.....	4	8
15	1360386	Clamp	2	4
16	1353464	Plate	1	1
17	1477996	Clamp	1	2
18	1481229	Clamp	1	2
19	1345204	Snap Ring.....	2	4
20	1345199	Hose Guide.....	2	4
21	1354906	Bracket (RH)	1	1
21	1354907	Bracket (LH).....	..	1
22	1390182	Nut	2	4
23	1362387	Stubshaft	1	2
24	1494017	Sheave.....	2	4
25	1360549	Spacer	1	2

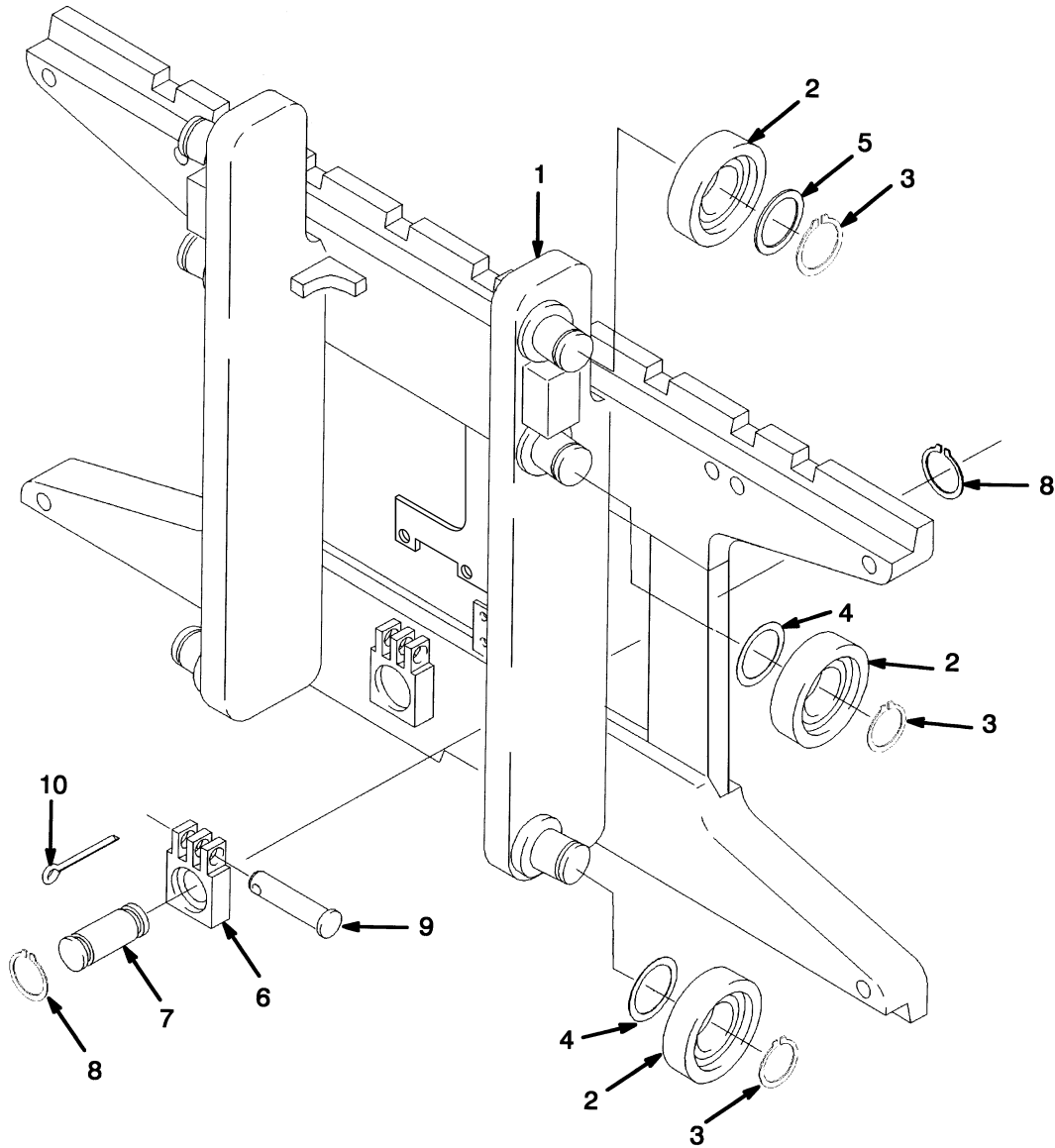
HEADER HOSES THREE STAGE FULL FREE-LIFT

ITEM	PART NO.	DESCRIPTION	QTY	
			A	B
26	1345190	Washer	2	4
27	1581830	Capscrew.....	2	4
28	1395291	Bracket (RH Hose Guard).....	1	1
29	1396406	Stubshaft	1	2
30	302461	Pin	1	2
31	1581560	Washer	1	2
32	1395292	Bracket (LH Hose Guard)	1
33	1529015	Cap	2	4
	1566564	Cap (Not Illustrated).....	1	2

FOOTNOTES:

a Refer to Table

CARRIAGE (Figure 12-9) THREE STAGE FULL FREE-LIFT



HP290016

**CARRIAGE
THREE STAGE FULL FREE-LIFT****KEY:****A: H2.0-2.5FT****B: H3.0-3.5FT**

ITEM	PART NO.	DESCRIPTION	QTY	
			A	B
	1379459	Carriage Assembly	1	..
	1477680	Carriage Assembly	1
1	1381560	Frame	1	..
1	1477931	Frame	1
1	1345216	Stubshaft.....	6	6
2	1333399	Load Roller	6	6
3	58901	Snap Ring.....	6	6
4	129387	Shim (0,508 mm).....	AR	AR
5	366115	Spacer	2	2
6	1369345	Chain Anchor (Dual Hole)	2	..
6	1504010	Chain Anchor (Single Hole) (Optional)	2	..
6	1369344	Chain Anchor (Dual Hole)	2
6	1504012	Chain Anchor (Single Hole) (Optional)	2
7	317735	Pin	2	2
8	131358	Snap Ring.....	4	4
9	1514866	Pin (Chain Anchor)	2	2
10	15211	Cotter Pin	2	2
	a 1374797	Snap Ring.....	6	6

FOOTNOTES:**a** Not Illustrated