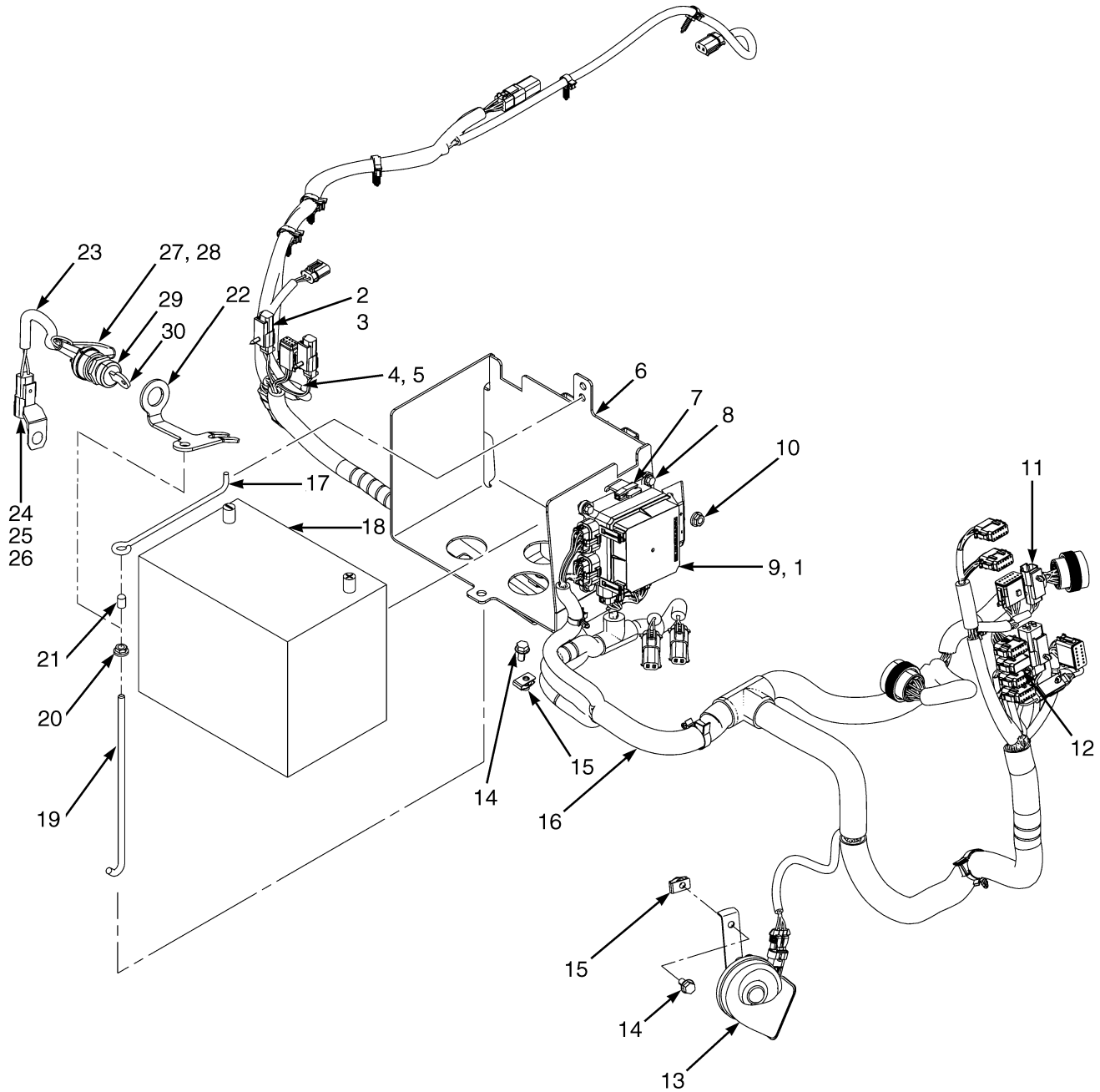


ELECTRICAL SYSTEM (Figure 4-1) RH CHASSIS



HP081625

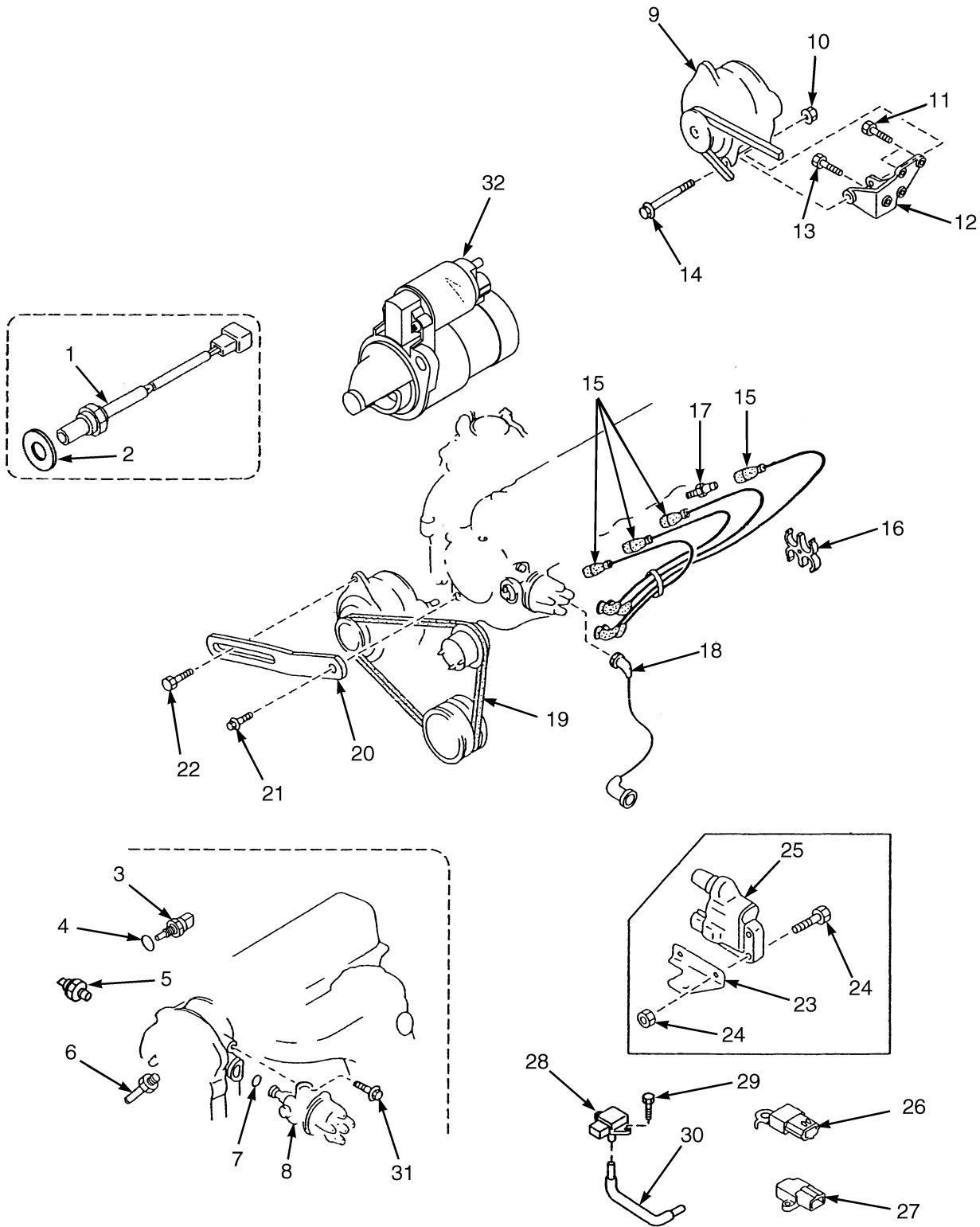
**ELECTRICAL SYSTEM
RH CHASSIS**

ITEM	PART NO.	DESCRIPTION	QTY
1	2063093	Power Distribution Module (☞ Figure 4-9)	1
2	1582464	Fastener.....	6
3	1582442	Clip	1
4	1588027	Bracket.....	1
5	1529366	Capscrew.....	1
6	1584944	Battery Tray.....	1
7	1402883	Fuse Puller	1
8	1534417	Capscrew.....	4
9	1559928	Seal	1
10	1502543	Nut (Flange).....	1
11	1500912	Clip	6
12	a 1563909	Connector	1
13	1527264	Horn.....	1
14	1527879	Capscrew.....	4
15	1480237	Clip Nut.....	4
16	2075561	Wire Harness (RH Chassis) (Mazda 2.0L and 2.2L) (☞ Figure 4-16)	1
16	2075560	Wire Harness (RH Chassis) (GM 2.4L) (☞ Figure 4-17)	1
16	2075562	Wire Harness (RH Chassis) (Yanmar 2.6L and 3.3L Diesel) (☞ Figure 4-18)	1
17	1585529	Link (Battery Hold Down).....	1
18	1383331	Battery (Wet)	1
19	2065745	Link (Battery Hold Down).....	1
20	1502543	Nut (Flange).....	1
21	1540805	Cap	1
22	1582337	Bracket.....	1
23	2074320	Wire Harness (Remote Keyswitch)	1
24	1493465	Connector.....	1
25	1330414	Secondary Lock.....	2
26	1330437	Terminal (Pin)	2
27	1497433	Terminal Ring	2
28	190383	Boot.....	2
29	254007	Ignition Switch	1
30	262798	Ignition Key	1

FOOTNOTES:

a For Use With GM And Mazda Engines Only

ENGINE ELECTRICAL COMPONENTS (Figure 4-2) MAZDA 2.0L AND 2.2L LPG

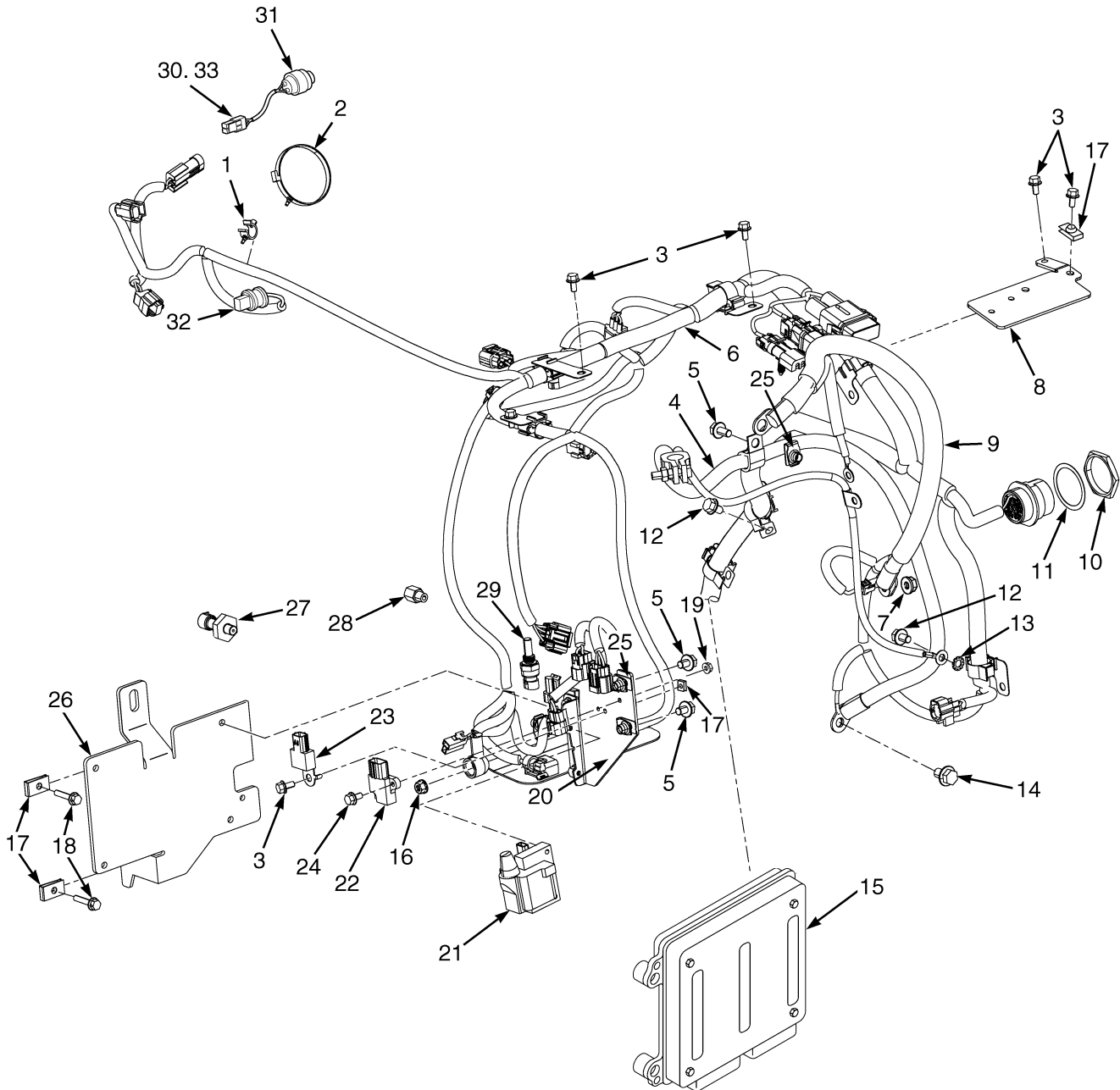


HP091263

ENGINE ELECTRICAL COMPONENTS MAZDA 2.0L AND 2.2L LPG

ITEM	PART NO.	DESCRIPTION	QTY
1	1556342	Sensor (Oxygen)	1
2	1368886	Washer	1
3	1539962	Sensor (Air Temperature)	1
4	1368743	Washer	1
5	2026608	Oil Pressure Switch	1
6	1361867	Temperature Sender	1
7	1553985	O-Ring	1
8	1554030	Distributor (☞ Figure 4-4)	1
9	1450928	Alternator	1
10	1361890	Nut	1
11	1361891	Bolt	3
12	1361846	Bracket.....	1
13	1361888	Bolt	1
14	1368844	Bolt	1
15	1362113	Ignition Cable Set	1
15	1361840	Cable (Spark Plug)	1
15	1361841	Cable (Spark Plug)	1
15	1361842	Cable (Spark Plug)	1
15	1361843	Cable (Spark Plug)	1
16	1361838	Support.....	1
17	1361837	Spark Plug	4
18	1553984	Coil Wire	1
19	1495412	V-Belt.....	1
20	1361845	Strap	1
21	1361881	Bolt	1
22	326898	Bolt	1
23	1553996	Bracket.....	1
24	1553997	Screw Set	1
25	1527571	Ignition Coil	1
26	1545443	Condenser	1
27	1545444	Igniter.....	1
28	1548352	Sensor b	1
29	1582324	Screw.....	2
30	1495413	Hose	1
31	1361895	Bolt	1
32	1534424	Starter.....	1

ENGINE ELECTRICAL SYSTEM (Figure 4-3) MAZDA 2.0L AND 2.2L LPG



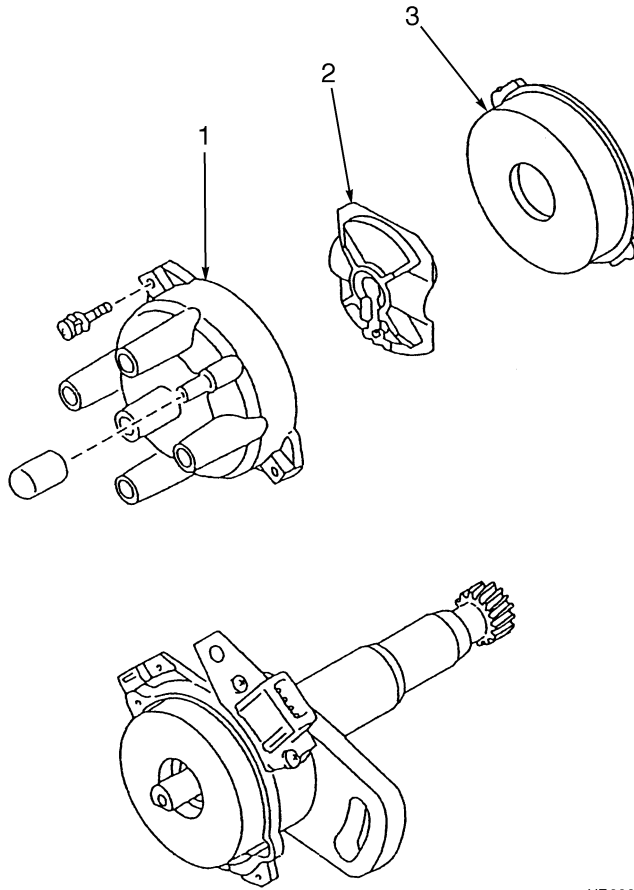
HP081637

ENGINE ELECTRICAL SYSTEM

MAZDA 2.0L AND 2.2L LPG

ITEM	PART NO.	DESCRIPTION	QTY
1	1542439	Clamp	1
2	1502061	Clamp	1
3	1534417	Capscrew.....	9
4	2069225	Battery Cable (Negative)	1
4	148789	Terminal.....	1
4	1564044	Fitting.....	1
4	128408	Clamp.....	1
4	806426	Fitting.....	1
5	1527879	Capscrew.....	4
6	2065855	Wire Harness (LPG Engine)	1
7	1502543	Nut (Flange).....	1
8	1560121	Bracket.....	1
9	2061383	Battery Cable (Positive)	1
9	148792	Terminal.....	1
9	16079	Terminal.....	1
9	806426	Fitting.....	1
9	1536304	Boot.....	1
9	1560091	Boot.....	1
10	1539085	Nut	1
11	1539086	Lockwasher.....	1
12	1529366	Capscrew.....	2
13	296380	Lockwasher.....	1
14	1556623	Bolt	1
15	2065857	Engine Control Unit (2.0L)	1
15	2070685	Engine Control Unit (2.2L)	1
16	1514429	Nut (Flange).....	1
17	325182	Nut	9
18	1586495	Capscrew.....	4
19	1549398	Nut	2
20	1556838	Plate	1
21	1527571	Ignition Coil.....	1
22	1545444	Igniter.....	1
23	1545443	Condenser	1
24	296150	Capscrew.....	2
25	1480237	Clip Nut.....	4
26	1581526	Formed Bracket	1
27	1537692	Sensor (Oil Pressure)	1
28	367224	Adapter	1
29	1515654	Sensor (Coolant Temperature)	1
30	141259	Fitting.....	1
31	1529257	Sensor (Air Flow Restriction).....	1
32	1501970	Switch (Low Pressure).....	1
33	14349	Fitting.....	1

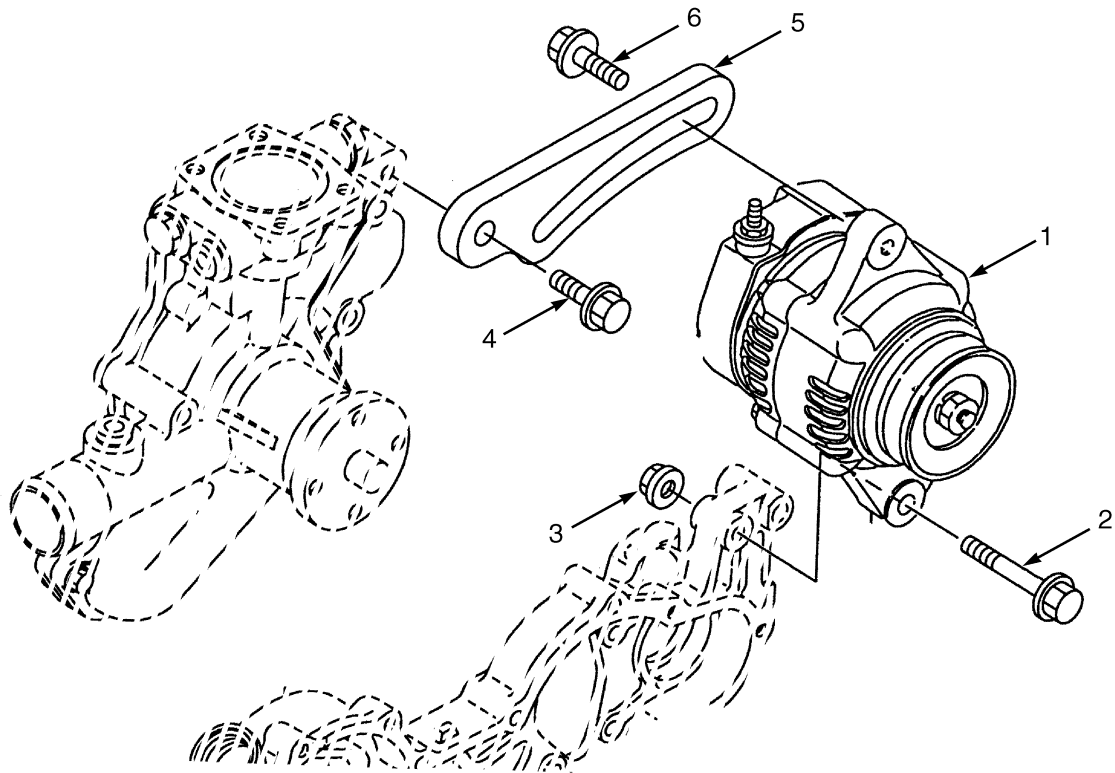
DISTRIBUTOR (Figure 4-4) MAZDA 2.0L AND 2.2L LPG



YP080539

ITEM	PART NO.	DESCRIPTION	QTY
	1554030	Distributor	1
1	1554033	Cap.....	1
2	1554034	Rotor.....	1
3	1554032	Cover.....	1

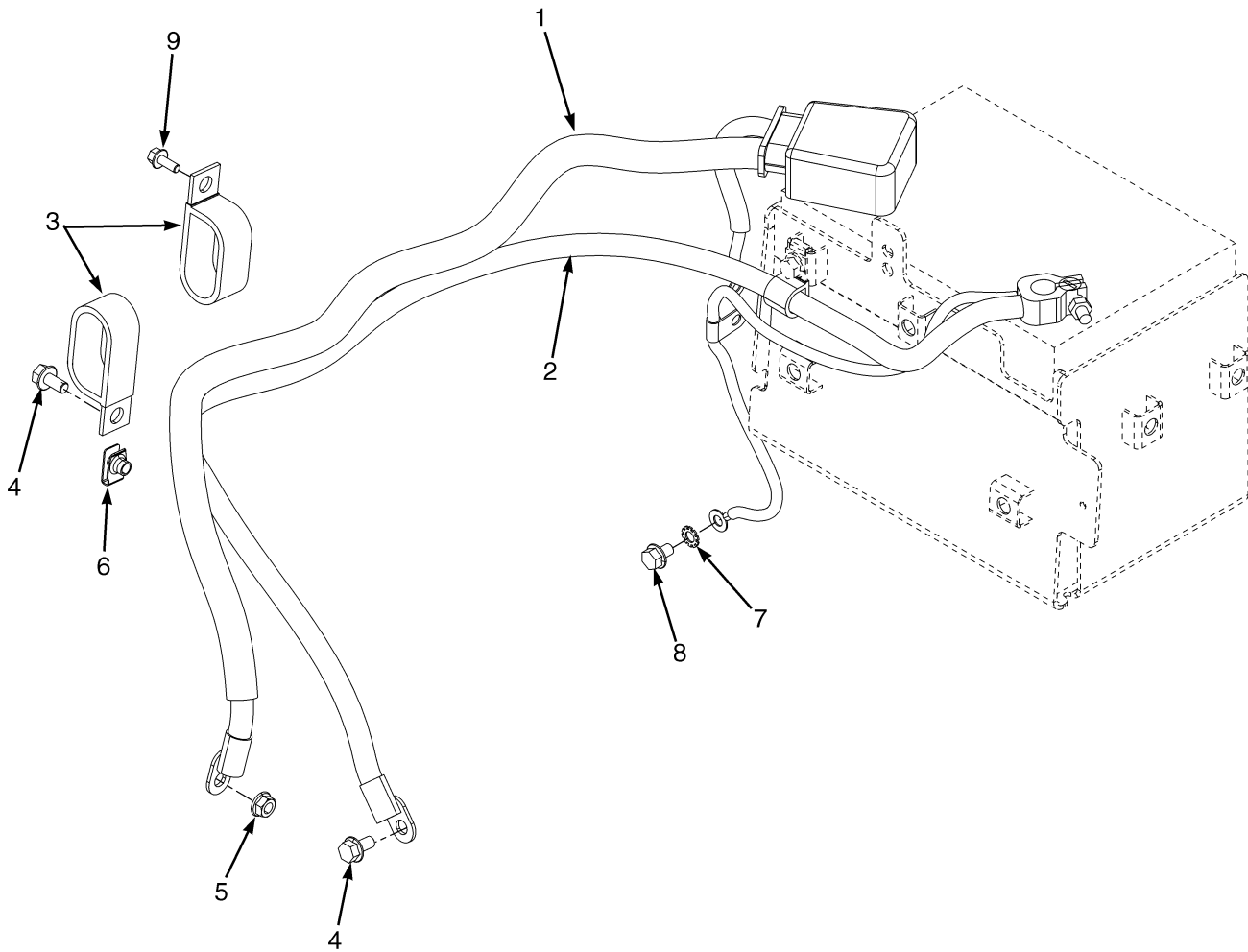
ALTERNATOR AND MOUNTING (Figure 4-5)
YANMAR 2.6L AND 3.3L
DIESEL



BP080337

ITEM	PART NO.	DESCRIPTION	QTY
1	1599869	Alternator	1
2	1599893	Bolt	1
3	1599894	Nut	1
4	1599897	Bolt	1
5	1599895	Belt Adjuster	1
6	1599896	Bolt	1

BATTERY CABLES (Figure 4-6) GM 2.4L LPG

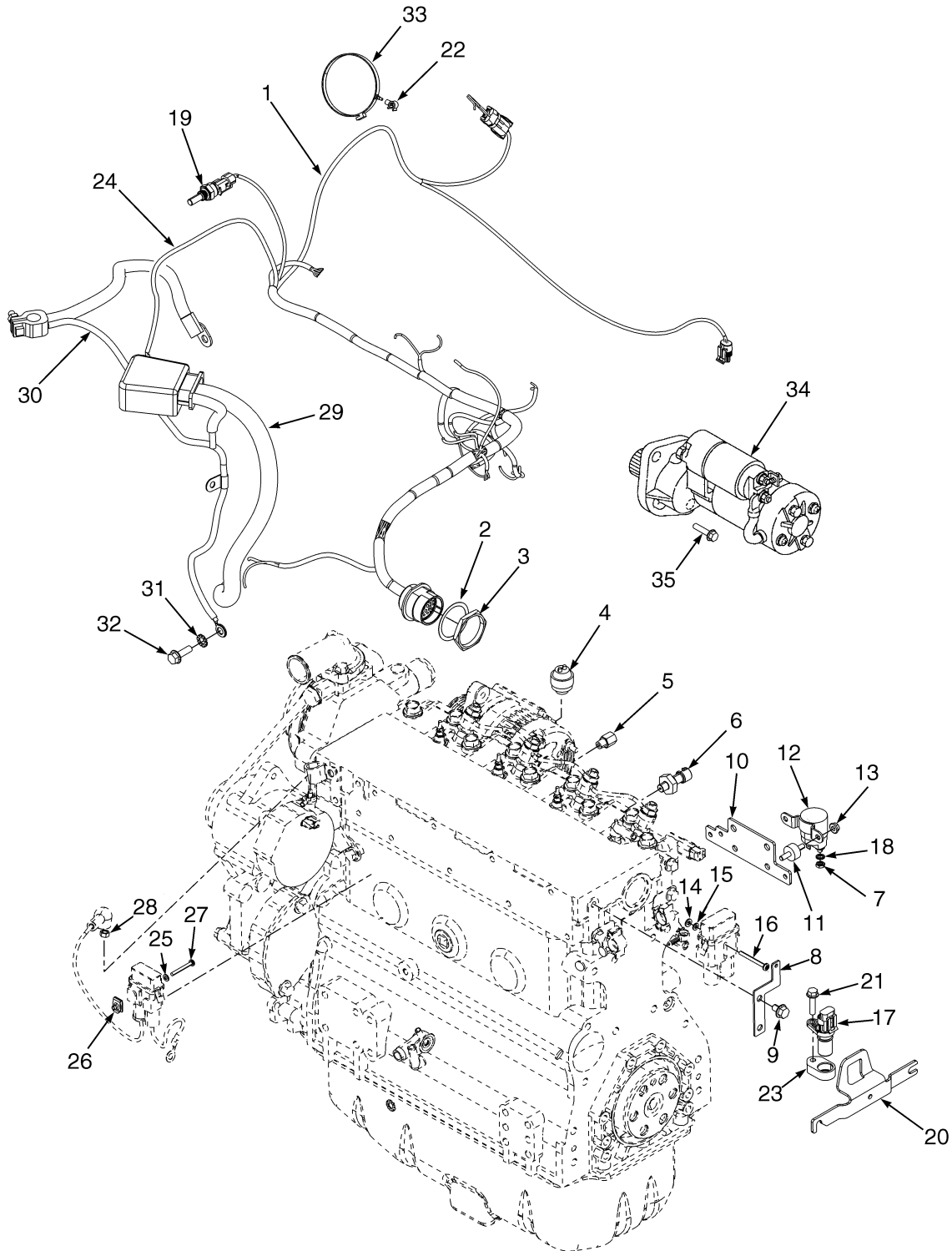


HP081655

**BATTERY CABLES
GM 2.4L
LPG**

ITEM	PART NO.	DESCRIPTION	QTY
1	2061381	Battery Cable (Positive)	1
1	1536304	Boot.....	1
1	1560091	Boot.....	1
1	16079	Terminal.....	1
1	148792	Terminal.....	1
1	806426	Fitting.....	1
2	2069224	Battery Cable (Negative)	1
2	148789	Terminal.....	1
2	1564044	Fitting.....	1
2	16079	Terminal.....	1
2	128408	Clamp	1
2	806426	Fitting.....	1
3	212786	Clamp	2
4	1527879	Capscrew.....	1
5	1502543	Nut (Flange).....	1
6	1480237	Clip Nut.....	1
7	296380	Lockwasher.....	1
8	1529366	Capscrew.....	1
9	1527876	Capscrew.....	1

ENGINE ELECTRICAL SYSTEM (Figure 4-7) YANMAR 2.6L AND 3.3L, DIESEL WITH OVERHEAD GUARD



HP081653

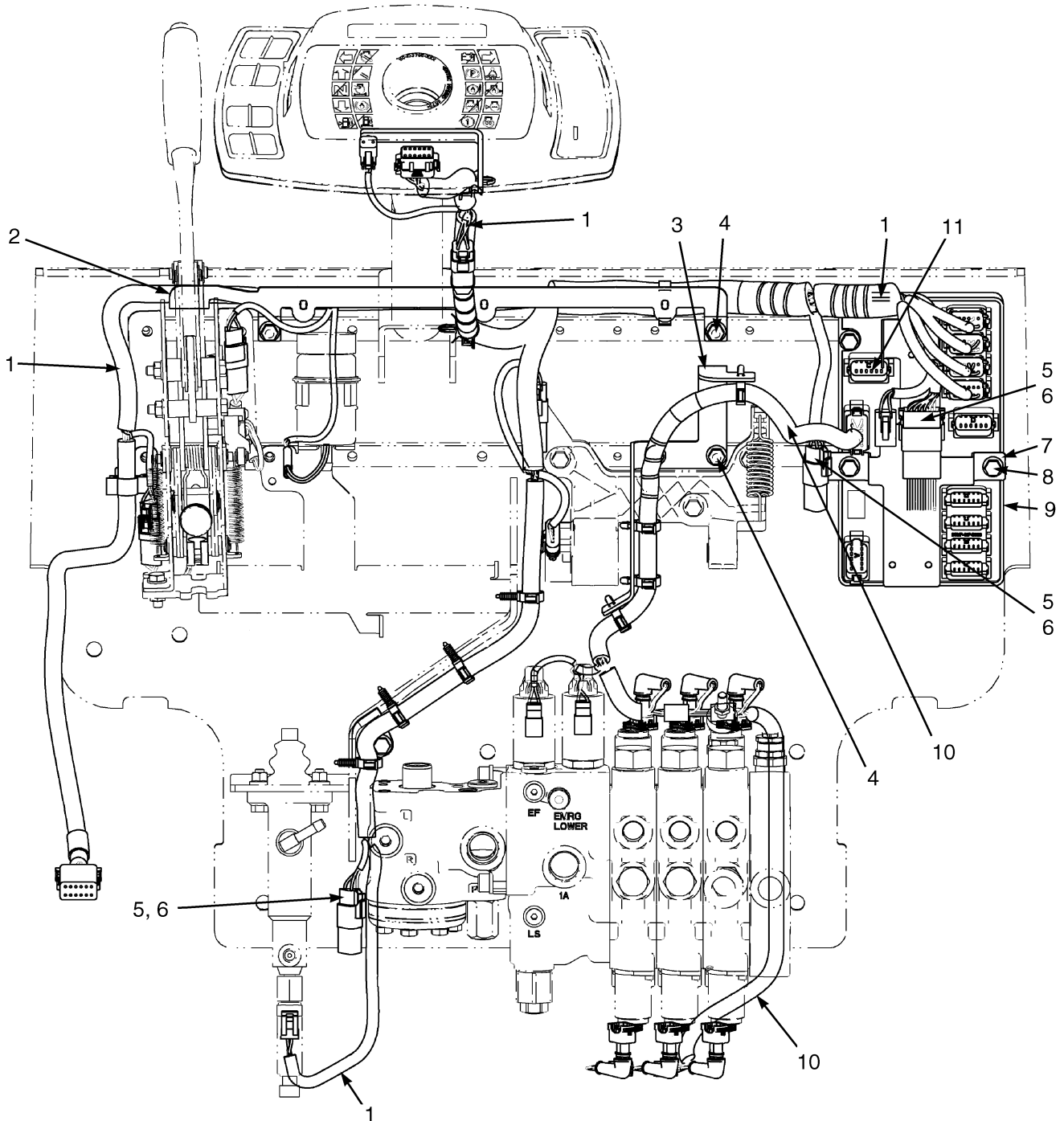
ENGINE ELECTRICAL SYSTEM YANMAR 2.6L AND 3.3L, DIESEL WITH OVERHEAD GUARD

ITEM	PART NO.	DESCRIPTION	QTY
1	2060844	Wire Harness (Engine) (☞ Figure 4-21)	1
2	1539086	Lockwasher.....	1
3	1539085	Nut.....	1
4	1529257	Sensor (Air Flow Restriction).....	1
5	367224	Adapter.....	1
6	1566654	Sensor (Oil Pressure).....	1
7	1560678	Nut.....	2
8	1582150	Bracket.....	1
9	1529366	Capscrew.....	4
10	1582151	Bracket.....	1
11	1527562	Isolation Mount.....	2
12	1454967	Relay (Glow Plug).....	1
13	1514429	Nut (Flange).....	2
14	320152	Washer.....	1
15	292676	Lockwasher.....	1
16	302015	Screw.....	1
17	1541231	Sensor (Speed).....	1
18	296379	Washer.....	2
19	1515654	Sensor (Coolant Temperature).....	1
20	1594055	Bracket.....	1
21	1527878	Capscrew.....	1
22	1542440	Clamp (Swivel).....	1
23	1591454	Bracket.....	1
24	2065098	Wire Harness (Alternator).....	1
24	1454860	Connector.....	1
24	1454829	Fuse (60 Amp).....	1
24	1454862	Cover (With Seal).....	1
24	1566146	Boot.....	1
24	1454827	Seal.....	2
24	1454828	Terminal.....	2
24	148615	Terminal.....	1
25	320154	Washer.....	1
26	1537551	Clip Nut.....	1
27	302027	Screw.....	1
28	136687	Nut.....	1
29	2066344	Battery Cable (Positive).....	1
29	148792	Terminal.....	1
29	16079	Terminal.....	1
29	806426	Fitting.....	1
29	1560091	Boot.....	1
29	1536304	Boot.....	1
30	2069226	Battery Cable (Negative).....	1
30	148789	Terminal.....	1
30	16079	Terminal.....	1
30	1564044	Fitting.....	1
30	128408	Clamp.....	1
30	806426	Fitting.....	1
31	296380	Lockwasher.....	1
32	1529366	Capscrew.....	2
33	1502061	Clamp.....	1

**ENGINE ELECTRICAL SYSTEM
YANMAR 2.6L AND 3.3L, DIESEL
WITH OVERHEAD GUARD**

ITEM	PART NO.	DESCRIPTION	QTY
34	1599845	Starter.....	1
35	1528889	Capscrew.....	1

COWL ELECTRICAL (Figure 4-8)



HP081617

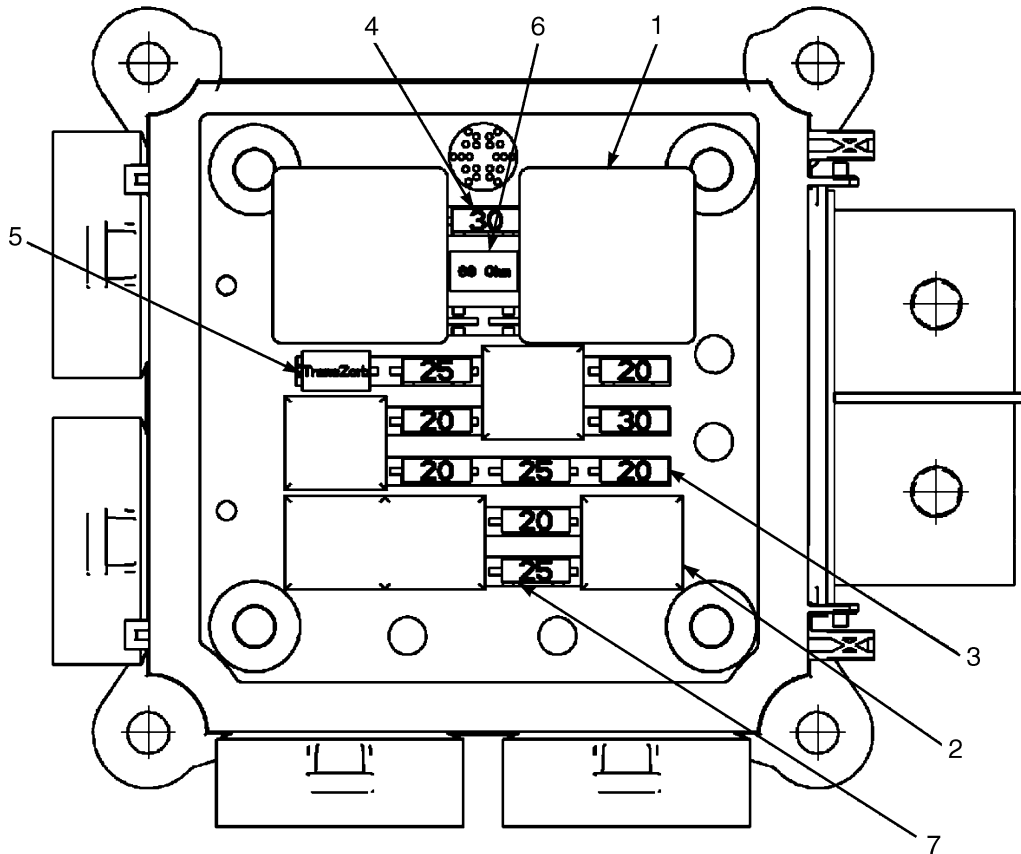
COWL ELECTRICAL

ITEM	PART NO.	DESCRIPTION	QTY
1	2070269	Wire Harness (Cowl) (☞ Figure 4-22)	1
2	1600190	Bracket.....	1
3	1531975	Bracket.....	1
4	1529366	Capscrew.....	4
5	1500912	Clip	3
6	1582464	Fastener.....	3
7	1582465	Bracket.....	1
8	1510115	Capscrew.....	3
9	e 2068339	Vehicle System Manager	1
9	cd 2068340	Vehicle System Manager	1
9	bc 2068344	Vehicle System Manager	1
10	2058909	Wire Harness (Electronic Control Valve) (Four Function) (☞ Figure 4-24)	1
10	2060198	Wire Harness (Electronic Control Valve) (Three Function) (☞ Figure 4-23)	1
11	1563841	Connector	1
	a 1554902	Screw.....	2

FOOTNOTES:

- a** Not Illustrated
- b** With Cab
- c** With Electronic Hydraulics
- d** With Overhead Guard
- e** Without Electronic Hydraulics

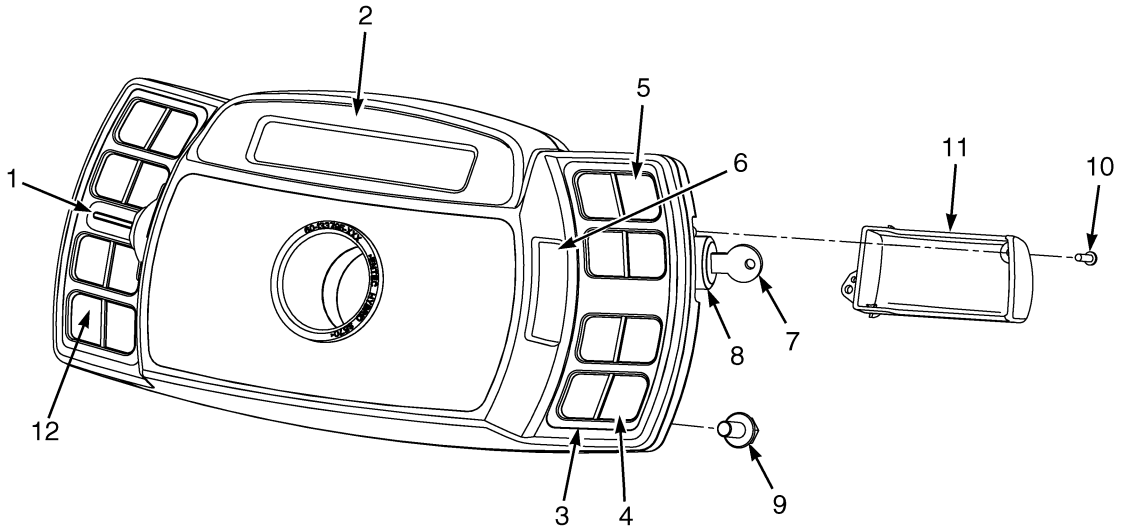
POWER DISTRIBUTION MODULE (Figure 4-9)



BP080278

ITEM	PART NO.	DESCRIPTION	QTY
	2063093	Power Distribution Module	1
1	2044712	Relay (30 Amp)	2
2	1528315	Relay (20 Amp)	5
3	1528132	Fuse (20 Amp).....	5
4	1528133	Fuse (30 Amp).....	2
5	1528630	Semiconductor	1
6	1528631	Resistor (68 Ohm, 5 Watt)	1
7	1544255	Fuse (25 Amp).....	3

INSTRUMENT CLUSTER (Figure 4-10)



HP081624

KEY:

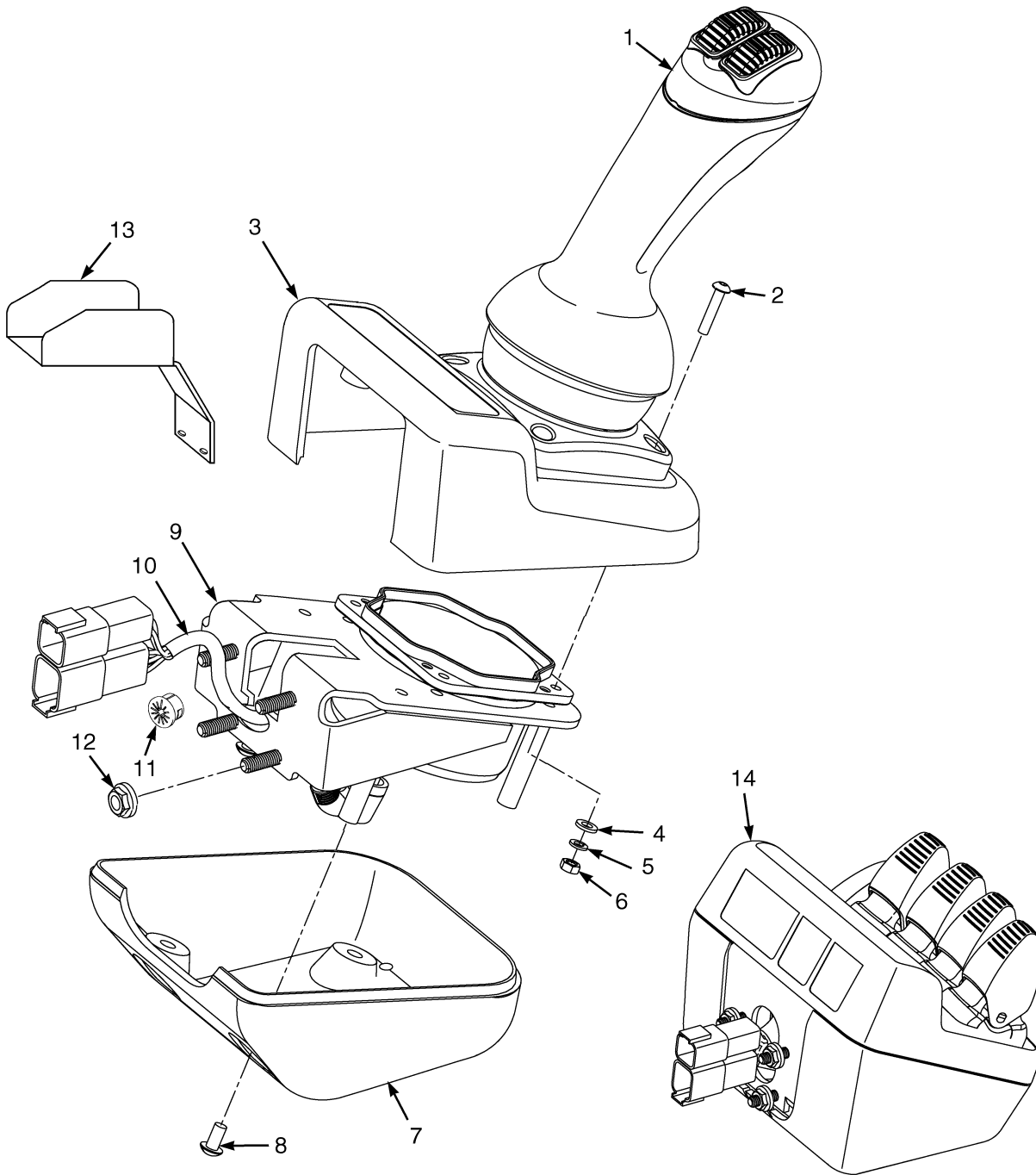
- A: Standard Ignition Switch - With Cab**
- B: Standard Ignition Switch - With Overhead Guard**

ITEM	PART NO.	DESCRIPTION	QTY	
			A	B
1	2060837	Lever (Detent) (Forward/Reverse Shift Lever)	1	1
1	2060838	Lever (Momentary) (Turn Signal Lever)	1	1
2	2076695	Instrument Cluster	1
2	2076696	Instrument Cluster	1	..
3	2066485	Bezel.....	1	1
4	2066484	Decal (RH Display, All Options)	1	1
5	a 2066482	Overlay (RH Display)	1	1
6	2060032	Cover (Display Lever)	1	1
7	1337197	Key Set	1	1
7	186304	Key	2	2
8	2057948	Ignition Switch	1	1
9	1527879	Capscrew.....	4	4
10	1554902	Screw.....	5	5
11	2060033	Cover (Keyswitch)	1	1
12	2069431	Decal (LH Instrument Cluster)	1
12	2066483	Decal (LH Instrument Cluster)	1	..

FOOTNOTES:

- a** Remove Panels From Overlay As Required For Truck Configuration.

JOYSTICK AND ELECTRONIC CONTROL LEVERS (Figure 4-11)



HP081644

JOYSTICK AND ELECTRONIC CONTROL LEVERS**KEY:****A: Three Function, Without Clamping****B: Three Function, With Clamping****C: Four Function, Without Clamping****D: Four Function, With Clamping**

ITEM	PART NO.	DESCRIPTION	QTY			
			A	B	C	D
	1585906	Joystick Control (Without Interlock)	1	1
	1585907	Joystick Control (Without Interlock)	1	1
	1585908	Joystick Control (With Interlock)	1	1
	1585909	Joystick Control (With Interlock)	1	1
1	2075224	Joystick (Without Interlock).....	1	1
1	2075225	Joystick (Without Interlock).....	1	1
1	2075226	Joystick (With Interlock).....	1	1
1	2075227	Joystick (With Interlock).....	1	1
2	1598283	Screw	4	4	4	4
3	1550647	Housing (Upper)	1	1	1	1
4	320154	Washer	4	4	4	4
5	292678	Lockwasher	4	4	4	4
6	292667	Nut.....	4	4	4	4
7	1550646	Housing (Lower)	1	1	1	1
8	2062718	Capscrew	6	6	6	6
9	1552107	Bracket	1	1	1	1
10	2062070	Wire Harness (Joystick)	1	1	1	1
10	1463140	Terminal (Pin).....	6	6	6	6
10	1530960	Connector	1	1	1	1
10	1530961	Secondary Lock	1	1	1	1
10	1550495	Connector	1	1	1	1
10	1550496	Terminal (Socket)	6	6	6	6
10	1532904	Connector	1	1	1	1
10	1463193	Secondary Lock	1	1	1	1
11	1569995	Bushing	1	1	1	1
12	1514429	Nut (Flange)	4	4	4	4
13	1579847	Bracket	1	1	1	1
14	2064790	Mini-Levers	1
14	1598222	Mini-Lever Plug Kit	1
14	1598221	Mini-Lever Interlock Switch Kit	1
14	1598223	Momentary Switch Plug Kit	2
14	1555731	Lever Kit	3
14	2075911	Mini-Levers	1
14	1598222	Mini-Lever Plug Kit	1
14	1598221	Mini-Lever Interlock Switch Kit	1
14	1598223	Momentary Switch Plug Kit	2
14	1555731	Lever Kit	2
14	1591185	Mini-Lever Interlock Kit.....	..	1
14	b 2075913	Mini-Levers	1
14	b 1598222	Mini-Lever Plug Kit	1
14	b 1598221	Mini-Lever Interlock Switch Kit	1
14	b 1598223	Momentary Switch Plug Kit	2
14	b 1555731	Lever Kit	2
14	b 1591185	Mini-Lever Interlock Kit.....	1
14	b 2075916	Mini-Levers	1

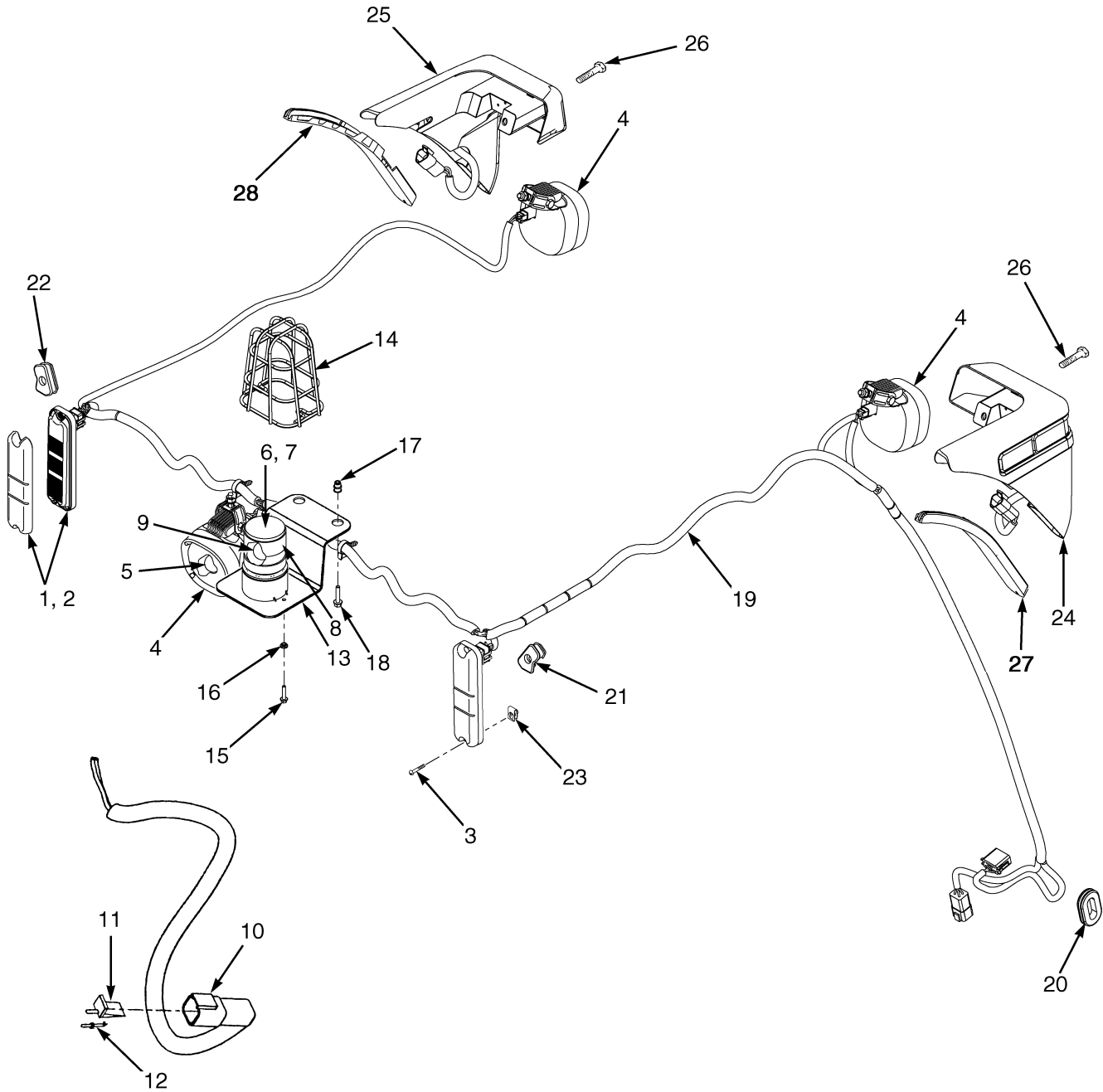
JOYSTICK AND ELECTRONIC CONTROL LEVERS

ITEM	PART NO.	DESCRIPTION	QTY			
			A	B	C	D
14	b 1555731	Lever Kit	1
14	b 1591185	Mini-Lever Interlock Kit	2
14	2064807	Mini-Levers	1	..
14	1598222	Mini-Lever Plug Kit	1	..
14	1598221	Mini-Lever Interlock Switch Kit	1	..
14	1598223	Momentary Switch Plug Kit	2	..
14	1555731	Lever Kit	4	..
14	2075912	Mini-Levers	1
14	1598222	Mini-Lever Plug Kit	1
14	1598221	Mini-Lever Interlock Switch Kit	1
14	1598223	Momentary Switch Plug Kit	2
14	1555731	Lever Kit	3
14	1591185	Mini-Lever Interlock Kit	1
14	b 2075914	Mini-Levers	1	..
14	b 1598222	Mini-Lever Plug Kit	1	..
14	b 1598221	Mini-Lever Interlock Switch Kit	1	..
14	b 1598223	Momentary Switch Plug Kit	2	..
14	b 1555731	Lever Kit	3	..
14	b 1591185	Mini-Lever Interlock Kit	1	..
14	b 2075917	Mini-Levers	1
14	b 1598222	Mini-Lever Plug Kit	1
14	b 1598221	Mini-Lever Interlock Switch Kit	1
14	b 1598223	Momentary Switch Plug Kit	2
14	b 1555731	Lever Kit	2
14	b 1591185	Mini-Lever Interlock Kit	2
	a 1598222	Mini-Lever Plug Kit	1	1	1	1
	a 1598221	Mini-Lever Interlock Switch Kit	1	1	1	1
	a 1598223	Momentary Switch Plug Kit	2	2	2	2

FOOTNOTES:

- a** Not Illustrated
- b** With Return To Set Tilt

LIGHTS (Figure 4-12) BRAKE, TAIL, BACKUP, SIDE, TURN SIGNALS, WORK, STROBE WITH OVERHEAD GUARD



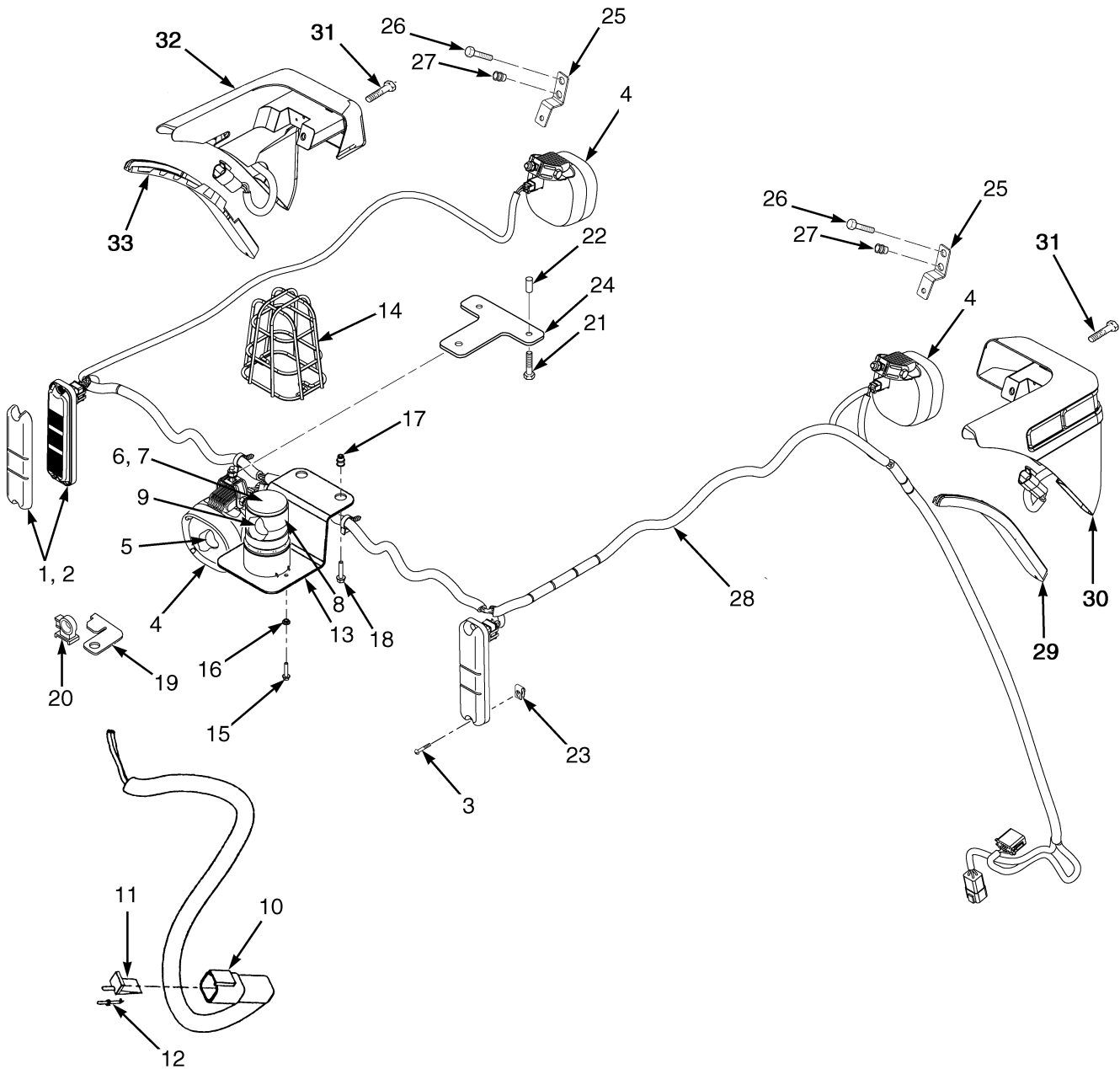
BP080385

LIGHTS

BRAKE, TAIL, BACKUP, SIDE, TURN SIGNALS, WORK, STROBE WITH OVERHEAD GUARD

ITEM	PART NO.	DESCRIPTION	QTY
1	2056824	Light (Stop, Turn, Tail, And Back-Up).....	2
1	Bracket (☞ Figure 1-2)	2
2	2056826	Reflector (Tail)	2
3	1565125	Screw.....	4
4	2064836	Work Light (Rear)	1
4	2070553	Work Light (RH Front).....	1
4	2070554	Work Light (LH Front)	1
5	1495122	Bulb	1
6	1581670	Strobe Light Assembly.....	1
7	1382130	Strobe Light.....	1
8	1526082	Lens (Amber)	1
9	1309775	Bulb.....	1
10	1561559	Connector.....	1
11	1561755	Secondary Lock.....	1
12	1463138	Pin	2
13	1565076	Bracket.....	1
14	1302024	Guard.....	1
15	1586759	Capscrew.....	2
16	1586428	Nut	2
17	1531001	Insert.....	2
18	1586495	Capscrew.....	2
19	2074737	Wire Harness (☞ Figure 4-25)	1
20	1539584	Grommet (Vehicle System Manager).....	1
21	1560447	Grommet (RH Tail Light).....	1
22	1560448	Grommet (LH Tail Light).....	1
23	1537551	Clip Nut.....	4
24	2070561	Turn Signal (RH Front).....	1
24	2070563	Cap.....	2
24	1493466	Connector.....	1
24	1330415	Lock.....	1
24	1330437	Terminal (Pin)	3
25	2070562	Turn Signal (LH Front)	1
25	2070563	Cap.....	2
25	1493466	Connector.....	1
25	1330415	Lock.....	1
25	1330437	Terminal (Pin)	3
26	1608654	Capscrew.....	4
27	1608589	Trim (RH Marker)	1
28	1608590	Trim (LH Marker).....	1

LIGHTS (Figure 4-13) BRAKE, TAIL, BACKUP, SIDE, TURN SIGNALS, WORK, STROBE WITH CAB



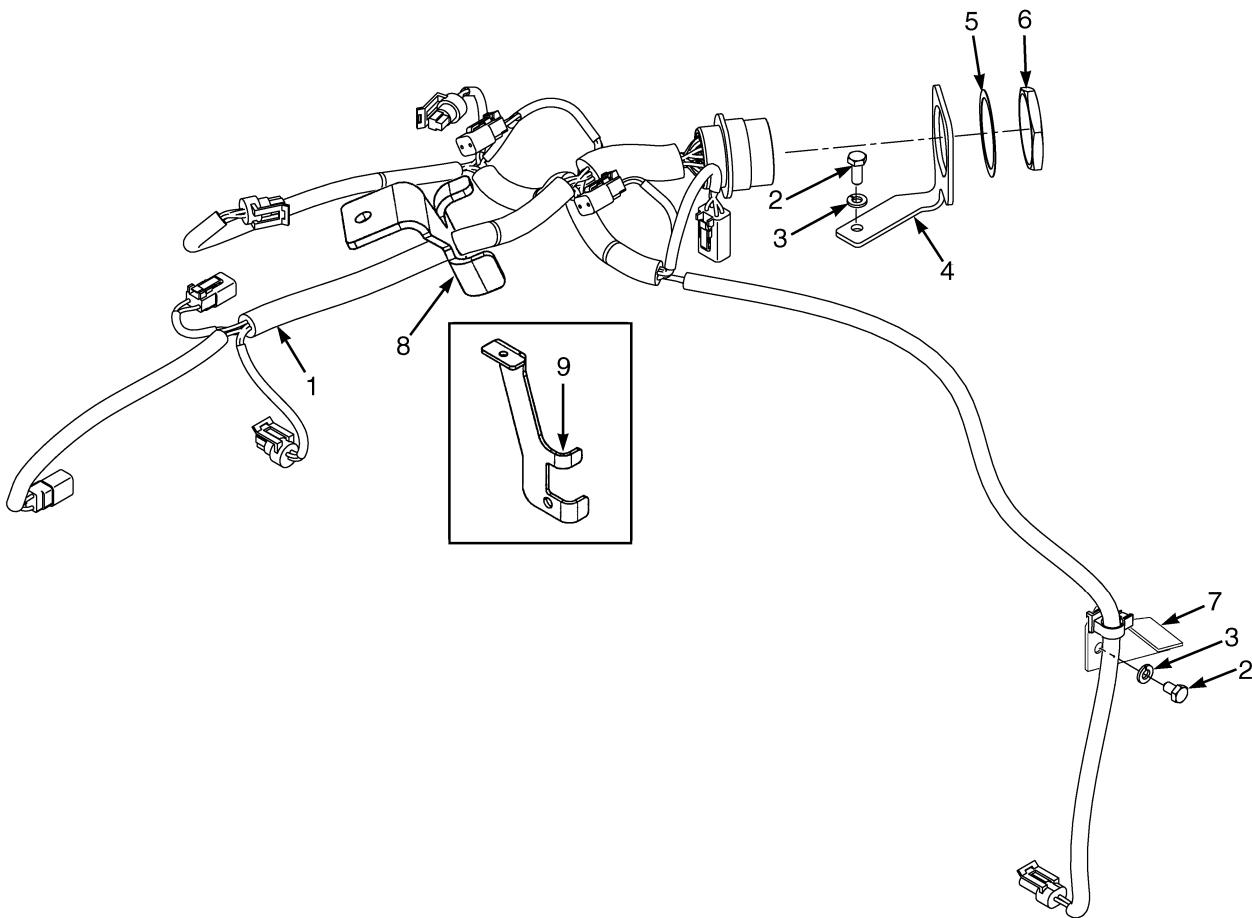
BP080386

LIGHTS

BRAKE, TAIL, BACKUP, SIDE, TURN SIGNALS, WORK, STROBE WITH CAB

ITEM	PART NO.	DESCRIPTION	QTY
1	2056824	Light (Stop, Turn, Tail, And Back-Up).....	2
1	Bracket (☞ Figure 1-2)	2
2	2056826	Reflector (Tail)	2
3	1565125	Screw.....	4
4	2064836	Work Light (Rear)	1
4	2064837	Work Light (RH Front).....	1
4	2064838	Work Light (LH Front)	1
5	1495122	Bulb	1
6	1581670	Strobe Light Assembly.....	1
7	1382130	Strobe Light.....	1
8	1526082	Lens (Amber)	1
9	1309775	Bulb.....	1
10	1561559	Connector.....	1
11	1561755	Secondary Lock.....	1
12	1463138	Pin	2
13	1565076	Bracket.....	1
14	1302024	Guard.....	1
15	1586759	Capscrew.....	2
16	1586428	Nut	2
17	1531558	Insert.....	2
18	1586495	Capscrew.....	2
19	1532759	Bracket.....	1
20	1532775	Clip	1
21	1586495	Capscrew.....	2
22	1531558	Insert.....	2
23	1537551	Clip Nut.....	4
24	1558771	Bracket.....	1
25	1588583	Bracket.....	2
26	1583611	Capscrew.....	4
27	1531557	Insert.....	4
28	1598333	Wire Harness.....	1
29	1608591	Trim (RH Marker)	1
30	2070561	Turn Signal (RH Front).....	1
31	1608654	Capscrew.....	4
32	2070562	Turn Signal (LH Front)	1
33	1608592	Trim (LH Marker).....	1

TRANSMISSION ELECTRICAL SYSTEM (Figure 4-14)



HP081626

TRANSMISSION ELECTRICAL SYSTEM

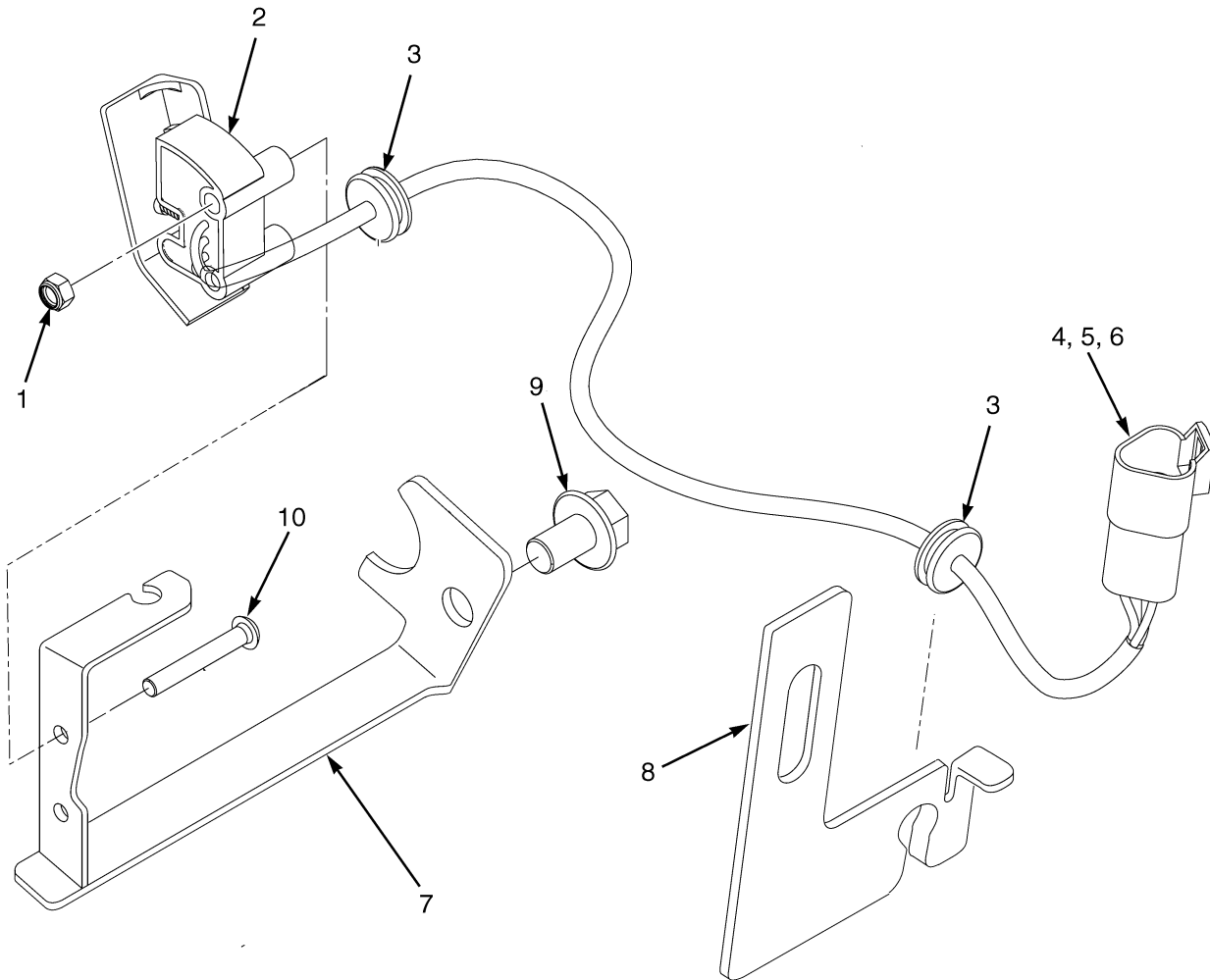
KEY:

A: Single Speed

B: Dual Speed

ITEM	PART NO.	DESCRIPTION	QTY	
			A	B
1	2070731	Wire Harness (Transmission) (Single Speed) (☞ Figure 4-27)	1	..
1	2075644	Wire Harness (Transmission) (Dual Speed) (☞ Figure 4-26)	1
2	287851	Capscrew.....	2	2
3	292681	Lockwasher.....	2	2
4	Bracket.....	1	1
5	1539086	Lockwasher.....	1	1
6	1539085	Nut	1	1
7	1531519	Bracket.....	1	1
8	1581176	Bracket.....	..	1
9	1584127	Bracket.....	1	..

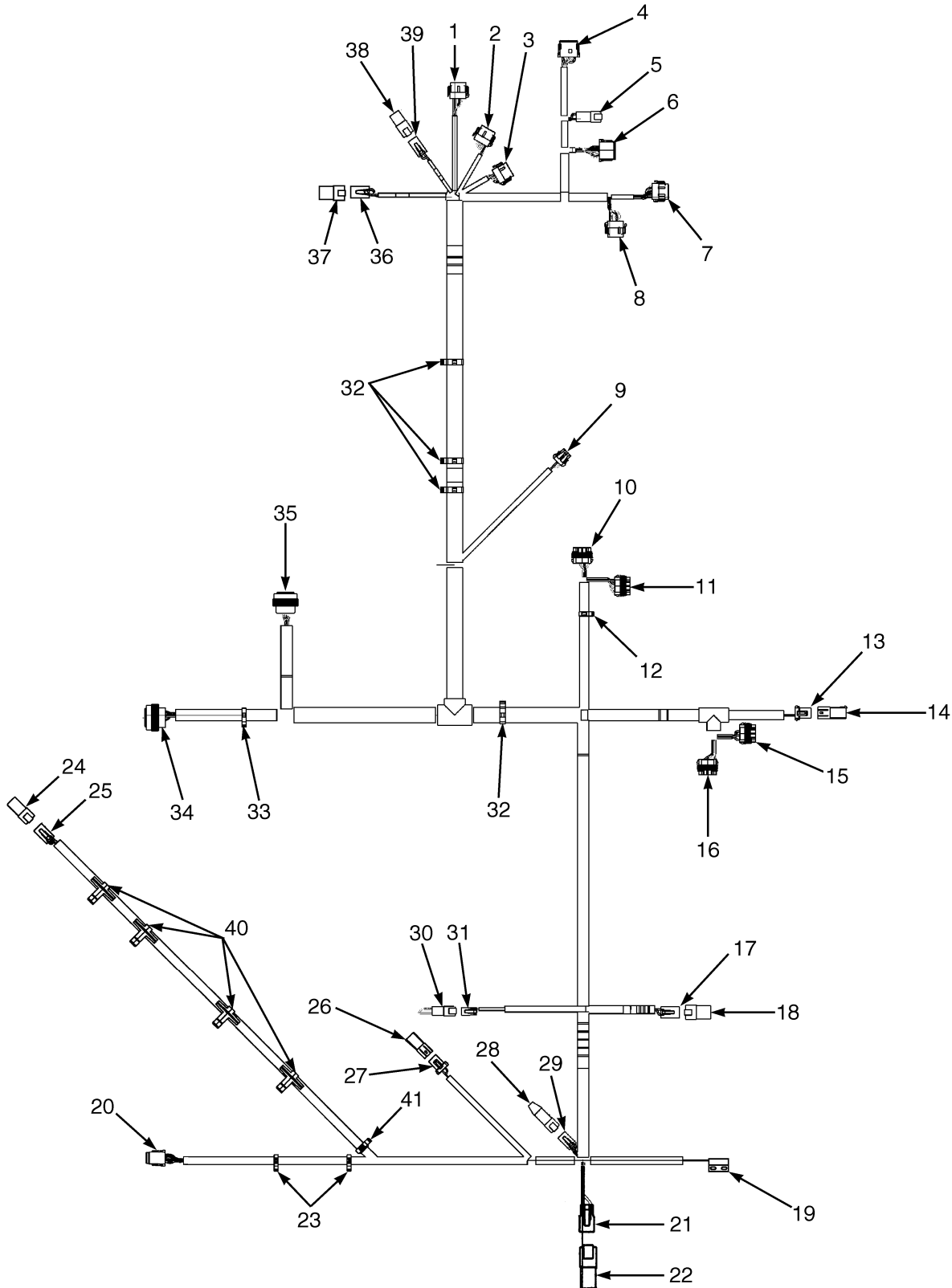
MAST ELECTRICAL (Figure 4-15)



HP081616

ITEM	PART NO.	DESCRIPTION	QTY
1	302398	Nut	2
2	1589621	Sensor (Mast)	1
3	98644	Grommet	2
4	1493466	Connector	1
5	1330415	Lock	1
6	1330437	Terminal (Pin)	3
7	1592071	Bracket	1
8	1592076	Bracket	1
9	1527883	Capscrew	1
10	1553897	Capscrew	2

WIRE HARNESS (Figure 4-16) RH CHASSIS MAZDA 2.0L AND 2.2L, LPG



HP081621

**WIRE HARNESS
RH CHASSIS
MAZDA 2.0L AND 2.2L, LPG**

ITEM	PART NO.	DESCRIPTION	QTY
	2075561	Wire Harness (RH Chassis)	1
1	1525570	Connector (Vehicle System Manager).....	1
1	1530037	Secondary Lock.....	1
1	1463139	Terminal	9
1	1484377	Plug.....	4
2	1525568	Connector (Vehicle System Manager).....	1
2	1530037	Secondary Lock.....	1
2	1463139	Terminal	7
2	1484377	Plug.....	5
3	1525567	Connector (Vehicle System Manager).....	1
3	1530037	Secondary Lock.....	1
3	1463139	Terminal	9
3	1484377	Plug.....	3
4	1525563	Connector (Vehicle System Manager).....	1
4	1500913	Secondary Lock.....	1
4	1330438	Socket (Terminal)	8
4	1363886	Socket	4
5	1489655	Connector (To Cowl Harness)	1
5	1330416	Secondary Lock.....	1
5	1330437	Terminal (Pin).....	4
6	1493428	Connector (12-Way) (To Cowl Harness).....	1
6	1500913	Secondary Lock.....	1
6	1330438	Socket (Terminal)	9
6	1484377	Plug.....	3
7	1525567	Connector (Vehicle System Manager).....	1
7	1529046	Secondary Lock.....	1
7	1463139	Terminal	6
7	1484377	Plug.....	6
8	1525569	Connector (Vehicle System Manager).....	1
8	1529046	Secondary Lock.....	1
8	1463139	Terminal	9
8	1484377	Plug.....	3
9	1476064	Connector (Horn)	1
9	1476109	Secondary Lock.....	1
9	1330355	Terminal	3
9	1330356	Seal.....	2
9	1476108	Seal.....	1
10	1521184	Connector (Power Distribution Module).....	1
10	1521188	Secondary Lock.....	1
10	1330281	Terminal	5
10	1521989	Terminal	1
10	1327164	Plug.....	2
10	1402888	Seal.....	1
10	1323579	Seal.....	5
11	1521183	Connector (Power Distribution Module).....	1
11	1521188	Secondary Lock.....	1
11	1330281	Terminal	4
11	1521989	Terminal	3
11	1323579	Seal.....	7
11	1327164	Plug.....	1

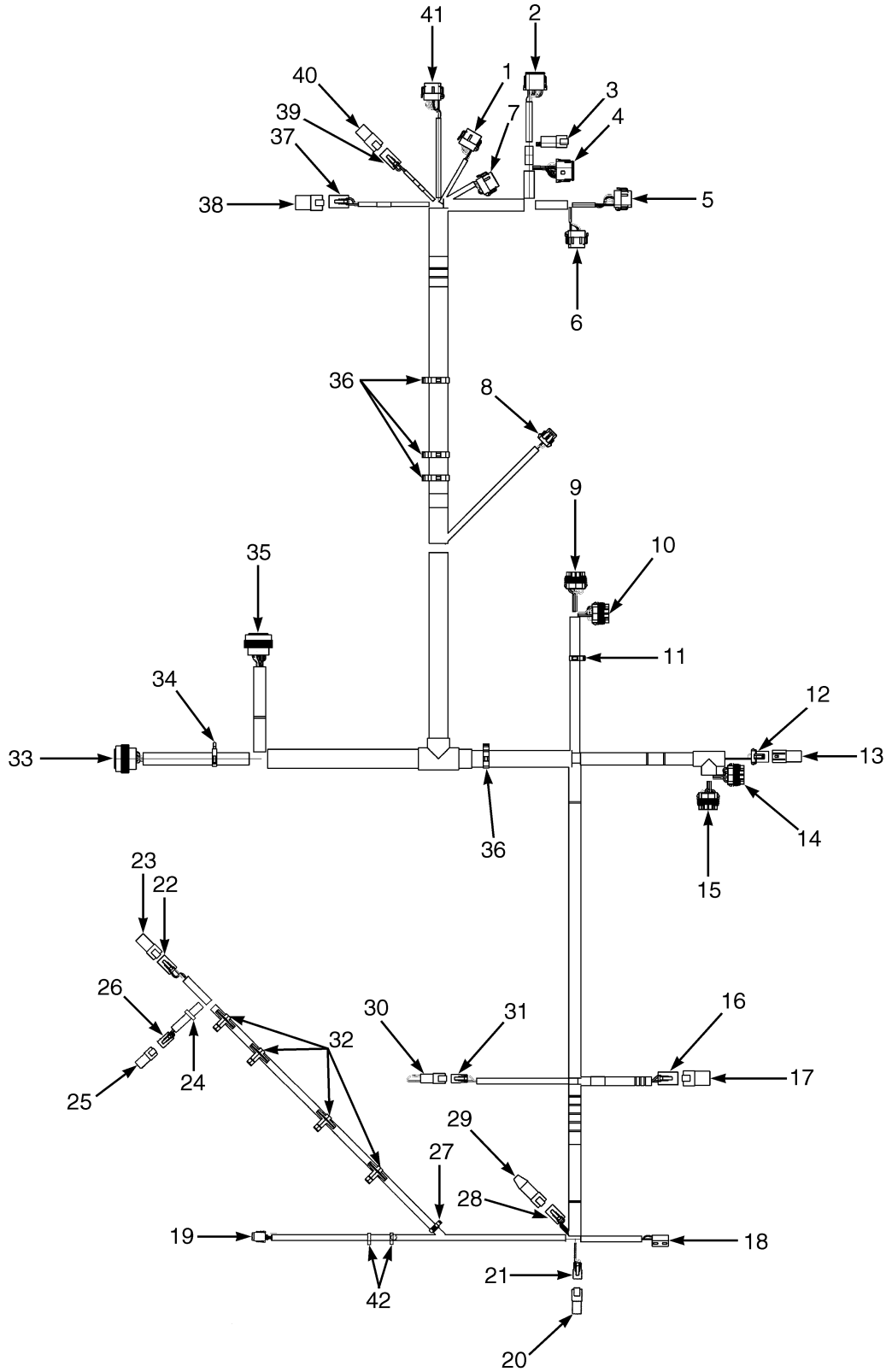
WIRE HARNESS RH CHASSIS MAZDA 2.0L AND 2.2L, LPG

ITEM	PART NO.	DESCRIPTION	QTY
12	1534828	Clip	1
13	1329152	Connector (Hydraulic Filter)	1
13	1329151	Secondary Lock	1
13	1330281	Terminal	2
13	1402888	Seal	2
14	1329150	Connector (End Cap)	1
14	1329151	Secondary Lock	1
14	1327164	Plug	2
15	1521185	Connector (Power Distribution Module).....	1
15	1521188	Secondary Lock.....	1
15	1330281	Terminal	5
15	1521989	Terminal	2
15	1323579	Seal	7
15	1327164	Plug	1
16	1521186	Connector (Power Distribution Module).....	1
16	1521188	Secondary Lock.....	1
16	1521989	Terminal	7
16	1323579	Seal	7
16	1327164	Plug	1
17	1514602	Connector (Accessory 2).....	1
17	1514603	Secondary Lock.....	1
17	1554359	Terminal	3
17	1330439	Plug	1
18	1514597	Connector (End Cap)	1
18	1330439	Plug	4
19	1572588	Switch (Hood Switch)	1
20	1541991	Connector (To Seat Harness).....	1
20	1541992	Secondary Lock.....	1
20	1463139	Terminal	8
21	1490242	Connector (Alternate Horn Button).....	1
21	1490243	Secondary Lock.....	1
21	1330438	Socket (Terminal)	2
22	1351681	Connector (End Cap)	1
23	1402815	Clip	2
24	1351683	Connector (End Cap)	1
25	1493430	Connector (To Back-Up Alarm)	1
25	1529052	Secondary Lock.....	1
25	1330438	Socket (Terminal)	6
26	1329150	Connector (End Cap)	1
26	1329151	Secondary Lock.....	1
26	1327164	Plug	2
27	1329152	Connector (Coolant Level).....	1
27	1329151	Secondary Lock.....	1
27	1330281	Terminal	2
27	1402888	Seal	2
28	1525577	Connector (End Cap)	1
29	1489656	Connector (Bus Terminal)	1
29	1489657	Secondary Lock.....	1
29	1330438	Socket (Terminal)	4
30	1493465	Connector (Key Switch).....	1

**WIRE HARNESS
RH CHASSIS
MAZDA 2.0L AND 2.2L, LPG**

ITEM	PART NO.	DESCRIPTION	QTY
30	1330414	Secondary Lock	1
30	1330437	Terminal (Pin).....	2
31	1490242	Connector (Key Switch).....	1
31	1490243	Secondary Lock.....	1
31	1330438	Socket (Terminal)	2
32	1534282	Clip	4
33	1500899	Clip	1
34	1502627	Connector (To Transmission Harness)	1
34	1330438	Socket (Terminal)	17
34	1484377	Plug.....	6
35	1531501	Connector (To Engine Harness).....	1
35	1330438	Socket (Terminal)	8
35	1554359	Terminal	3
35	1484377	Plug.....	17
35	1330439	Plug.....	1
36	1514602	Connector (To Lights/Cab Harness)	1
36	1514603	Secondary Lock.....	1
36	1554359	Terminal	4
37	End Cap
37	1514597	Connector	1
37	1330439	Plug.....	4
38	End Cap
38	1480187	Connector	1
38	1330439	Plug.....	2
39	1545202	Connector (Accessory 1).....	1
39	1546697	Secondary Lock.....	1
39	1554359	Terminal	2
40	1587778	Clip	4
41	1509890	Clip	1

WIRE HARNESS (Figure 4-17) RH CHASSIS GM 2.4L, LPG



HP081622

**WIRE HARNESS
RH CHASSIS
GM 2.4L, LPG**

ITEM	PART NO.	DESCRIPTION	QTY
	2075560	Wire Harness (RH Chassis)	1
1	1525568	Connector (Vehicle System Manager).....	1
1	1530037	Secondary Lock.....	1
1	1463139	Terminal	7
1	1484377	Plug.....	5
2	1525563	Connector (Vehicle System Manager).....	1
2	1500913	Secondary Lock.....	1
2	1330438	Socket (Terminal)	8
2	1363886	Socket	4
3	1489655	Connector (To Cowl Harness)	1
3	1330416	Secondary Lock.....	1
3	1330437	Terminal (Pin).....	4
4	1493428	Connector (12-Way) (To Cowl Harness).....	1
4	1500913	Secondary Lock.....	1
4	1330438	Socket (Terminal)	9
4	1484377	Plug.....	3
5	1525567	Connector (Vehicle System Manager).....	1
5	1529046	Secondary Lock.....	1
5	1463139	Terminal	6
5	1484377	Plug.....	6
6	1525569	Connector (Vehicle System Manager).....	1
6	1529046	Secondary Lock.....	1
6	1463139	Terminal	3
6	1484377	Plug.....	9
7	1525567	Connector (Vehicle System Manager).....	1
7	1530037	Secondary Lock.....	1
7	1463139	Terminal	9
7	1484377	Plug.....	3
8	1476064	Connector (Horn)	1
8	1476109	Secondary Lock.....	1
8	1330355	Terminal	3
8	1330356	Seal.....	2
8	1476108	Seal.....	1
9	1521184	Connector (Power Distribution Module).....	1
9	1521188	Secondary Lock.....	1
9	1330281	Terminal	6
9	1521989	Terminal	1
9	1323579	Seal.....	5
9	1402888	Seal.....	2
9	1327164	Plug.....	1
10	1521183	Connector (Power Distribution Module).....	1
10	1521188	Secondary Lock.....	1
10	1330281	Terminal	4
10	1521989	Terminal	3
10	1323579	Seal.....	7
10	1327164	Plug.....	1
11	1534828	Clip	1
12	1329152	Connector (Hydraulic Filter)	1
12	1329151	Secondary Lock.....	1
12	1330281	Terminal	2

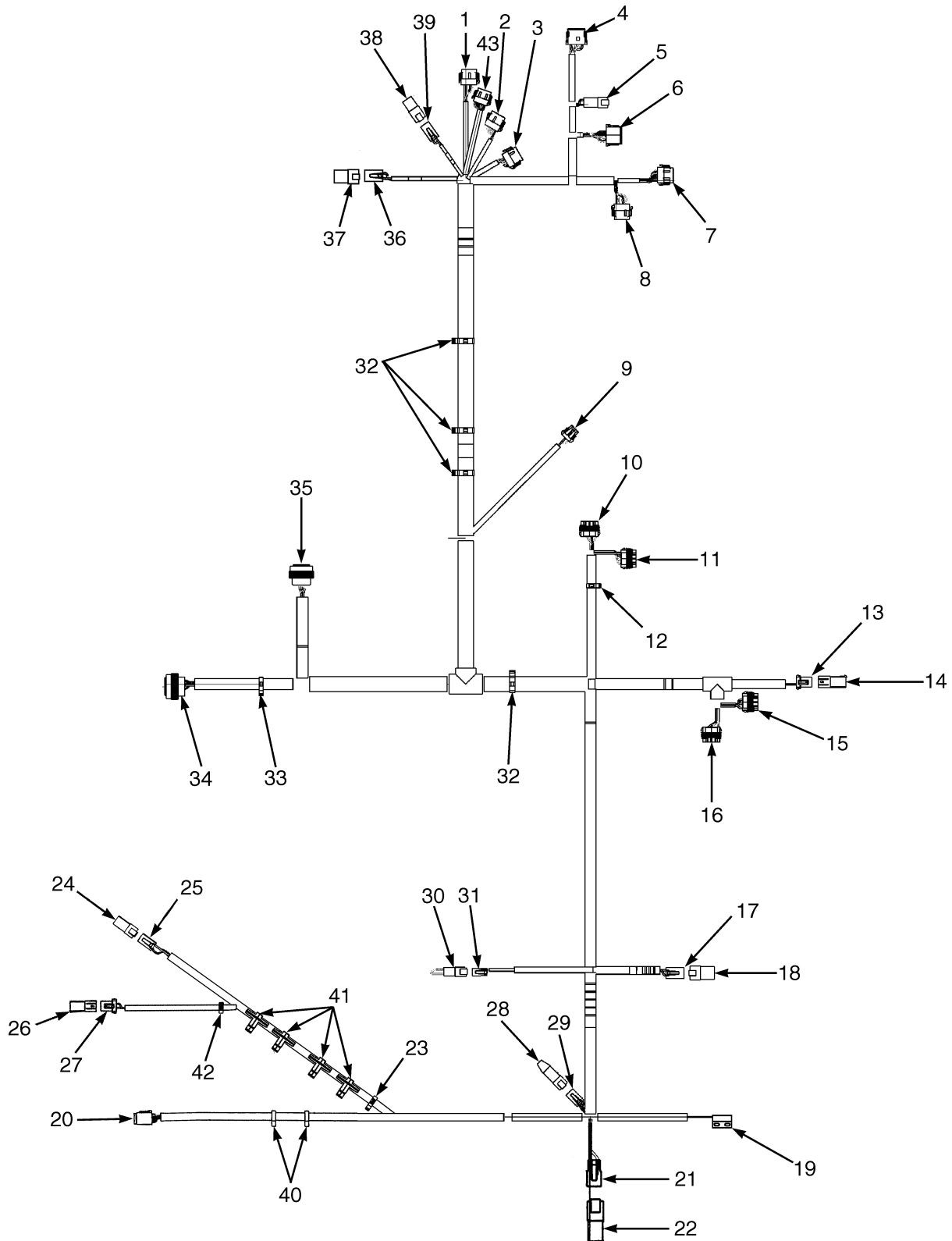
WIRE HARNESS RH CHASSIS GM 2.4L, LPG

ITEM	PART NO.	DESCRIPTION	QTY
12	1402888	Seal	2
13	1329150	Connector (End Cap)	1
13	1329151	Secondary Lock	1
13	1327164	Plug	2
14	1521185	Connector (Power Distribution Module).....	1
14	1521188	Secondary Lock.....	1
14	1330281	Terminal	5
14	1521989	Terminal	3
14	1323579	Seal	8
15	1521186	Connector (Power Distribution Module).....	1
15	1521188	Secondary Lock.....	1
15	1521989	Terminal	7
15	1323579	Seal	7
15	1327164	Plug	1
16	1514602	Connector (Accessory 2).....	1
16	1514603	Secondary Lock.....	1
16	1554359	Terminal	3
16	1330439	Plug	1
17	1514597	Connector (End Cap)	1
17	1330439	Plug	4
18	1572588	Switch (Hood Switch)	1
19	1541991	Connector (To Seat Harness).....	1
19	1541992	Secondary Lock.....	1
19	1463139	Terminal	8
20	1351681	Connector (End Cap)	1
21	1490242	Connector (Alternate Horn Button).....	1
21	1490243	Secondary Lock.....	1
21	1330438	Socket (Terminal)	2
22	1493430	Connector (To Back-Up Alarm Harness)	1
22	1529052	Secondary Lock	1
22	1330438	Socket (Terminal)	6
23	1351683	Connector (End Cap)	1
24	1509888	Clip	1
25	1329150	Connector (End Cap)	1
25	1329151	Secondary Lock.....	1
25	1327164	Plug	2
26	1329152	Connector (Coolant Level).....	1
26	1329151	Secondary Lock.....	1
26	1330281	Terminal	2
26	1402888	Seal	2
27	1509890	Clip	1
28	1489656	Connector (Bus Terminal 2)	1
28	1489657	Secondary Lock.....	1
28	1330438	Socket (Terminal)	4
29	1525577	Connector (End Cap)	1
30	1493465	Connector (Key Switch).....	1
30	1330414	Secondary Lock.....	1
30	1330437	Terminal (Pin).....	2
31	1490242	Connector (Key Switch).....	1
31	1490243	Secondary Lock.....	1

**WIRE HARNESS
RH CHASSIS
GM 2.4L, LPG**

ITEM	PART NO.	DESCRIPTION	QTY
31	1330438	Socket (Terminal)	2
32	1587778	Clip	4
33	1502627	Connector (To Transmission Harness)	1
33	1330438	Socket (Terminal)	17
33	1484377	Plug	6
34	1500899	Clip	1
35	1531501	Connector (To Engine Harness)	1
35	1330438	Socket (Terminal)	9
35	1463139	Terminal	6
35	1554359	Terminal	4
35	1484377	Plug	10
36	1534282	Clip	4
37	1514602	Connector (To Lights/Cab Harness)	1
37	1514603	Secondary Lock	1
37	1554359	Terminal	4
38	1514597	Connector (End Cap)	1
38	1330439	Plug	4
39	1545202	Connector (Accessory 1)	1
39	1546697	Secondary Lock	1
39	1554359	Terminal	2
40	1480187	Connector (End Cap)	1
40	1330439	Plug	2
41	1525570	Connector (Vehicle System Manager)	1
41	1530037	Secondary Lock	1
41	1463139	Terminal	8
41	1484377	Plug	4
42	1402815	Clip	2

WIRE HARNESS (Figure 4-18) RH CHASSIS YANMAR 2.6L AND 3.3L, DIESEL



HP081619

**WIRE HARNESS
RH CHASSIS
YANMAR 2.6L AND 3.3L, DIESEL**

ITEM	PART NO.	DESCRIPTION	QTY
	2075562	Wire Harness (RH Chassis)	1
1	1525570	Connector (Vehicle System Manager).....	1
1	1463139	Terminal	7
1	1484377	Plug.....	5
1	1530037	Secondary Lock	1
2	1525568	Connector (Vehicle System Manager).....	1
2	1463139	Terminal	9
2	1484377	Plug.....	3
2	1530037	Secondary Lock	1
3	1525567	Connector (Vehicle System Manager).....	1
3	1530037	Secondary Lock	1
3	1463139	Terminal	9
3	1484377	Plug.....	3
4	1525563	Connector (Vehicle System Manager).....	1
4	1500913	Secondary Lock	1
4	1330438	Socket (Terminal)	8
4	1363886	Socket	4
5	1489655	Connector (To Cowl Harness)	1
5	1330416	Secondary Lock	1
5	1330437	Terminal (Pin).....	4
6	1493428	Connector (12-Way) (To Cowl Harness).....	1
6	1330438	Socket (Terminal)	9
6	1484377	Plug.....	3
6	1500913	Secondary Lock	1
7	1525567	Connector (Vehicle System Manager).....	1
7	1529046	Secondary Lock	1
7	1463139	Terminal	6
7	1484377	Plug.....	6
8	1525569	Connector (Vehicle System Manager).....	1
8	1529046	Secondary Lock	1
8	1463139	Terminal	9
8	1484377	Plug.....	3
9	1476064	Connector (Horn)	1
9	1476109	Secondary Lock	1
9	1330356	Seal.....	2
9	1330355	Terminal	3
9	1476108	Seal.....	1
10	1521184	Connector (Power Distribution Module).....	1
10	1521188	Secondary Lock	1
10	1323579	Seal.....	5
10	1327164	Plug.....	2
10	1330281	Terminal	5
10	1521989	Terminal	1
10	1402888	Seal.....	1
11	1521183	Connector (Power Distribution Module).....	1
11	1521188	Secondary Lock	1
11	1323579	Seal.....	7
11	1327164	Plug.....	1
11	1330281	Terminal	4
11	1521989	Terminal	3

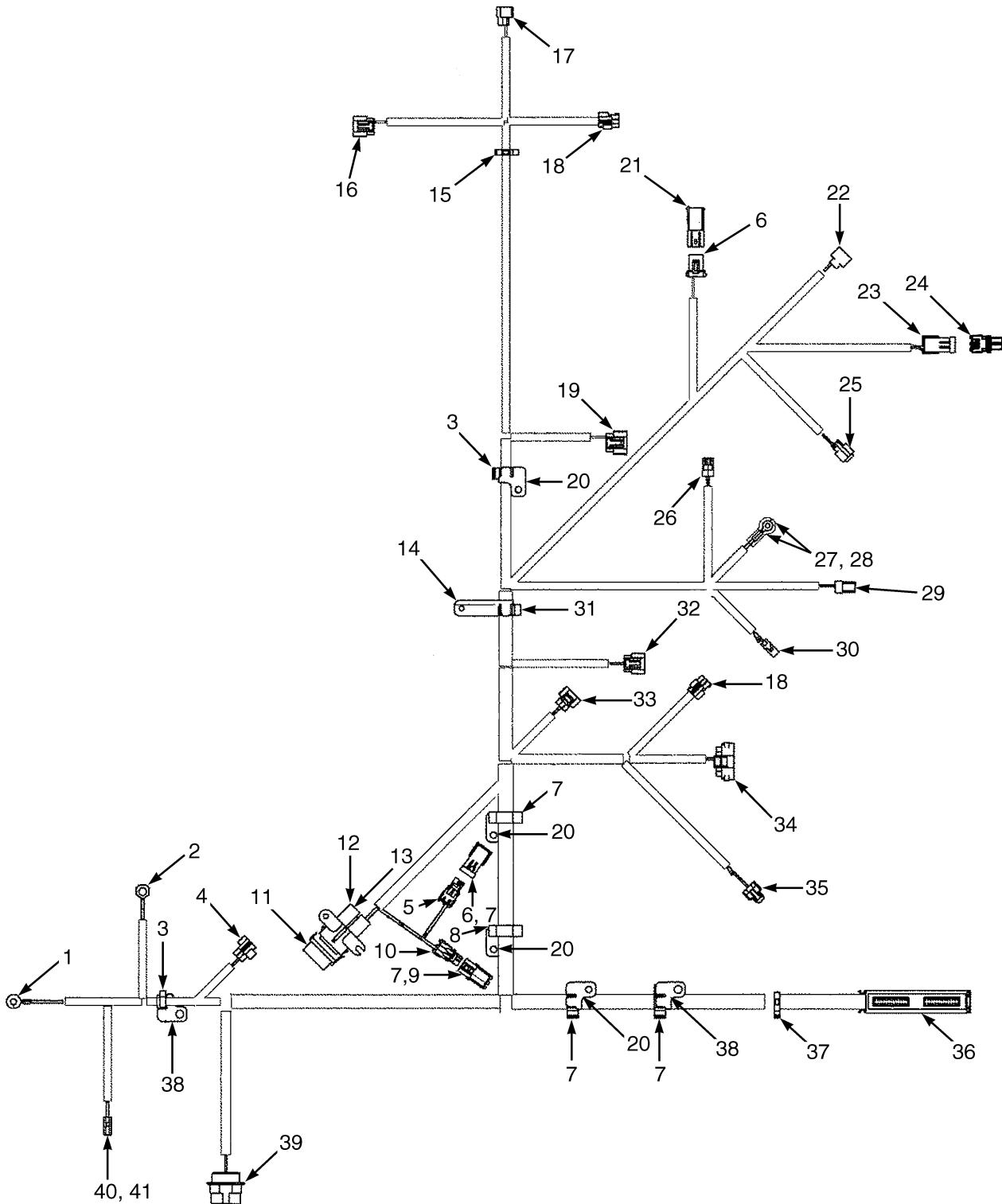
WIRE HARNESS RH CHASSIS YANMAR 2.6L AND 3.3L, DIESEL

ITEM	PART NO.	DESCRIPTION	QTY
12	1534828	Clip	1
13	1329152	Connector (Hydraulic Filter)	1
13	1329151	Secondary Lock	1
13	1330281	Terminal	2
13	1402888	Seal	2
14	1329150	Connector (End Cap)	1
14	1327164	Plug	2
14	1329151	Secondary Lock	1
15	1521185	Connector (Power Distribution Module).....	1
15	1521188	Secondary Lock	1
15	1323579	Seal	8
15	1521989	Terminal	2
15	1330281	Terminal	6
15	1521989	Terminal	2
16	1521186	Connector (Power Distribution Module).....	1
16	1521188	Secondary Lock	1
16	1323579	Seal	7
16	1327164	Plug	1
16	1521989	Terminal	7
17	1514602	Connector (Accessory 2).....	1
17	1514603	Secondary Lock	1
17	1330439	Plug	1
17	1554359	Terminal	3
18	1514597	Connector (End Cap)	1
18	1330439	Plug	4
19	1572588	Switch (Hood Switch)	1
20	1541991	Connector (To Seat Harness).....	1
20	1541992	Secondary Lock	1
20	1463139	Terminal	8
21	1490242	Connector (Alternate Horn Button).....	1
21	1561519	Connector	1
21	1330438	Socket (Terminal)	2
22	1351681	Connector (End Cap)	1
23	1509890	Clip	1
24	1351683	Connector (End Cap)	1
25	1493430	Connector (To Back-Up Alarm)	1
25	1529052	Secondary Lock	1
25	1330438	Socket (Terminal)	6
26	1329150	Connector (End Cap)	1
26	1329151	Secondary Lock.....	1
26	1327164	Plug	2
27	1329152	Connector (Coolant Level).....	1
27	1329151	Secondary Lock	1
27	1330281	Terminal	2
27	1402888	Seal.....	2
28	1525577	Connector (End Cap)	1
29	1489656	Connector (Bus Terminal)	1
29	1489657	Secondary Lock	1
29	1330438	Socket (Terminal)	4
30	1493465	Connector (Key Switch).....	1

**WIRE HARNESS
RH CHASSIS
YANMAR 2.6L AND 3.3L, DIESEL**

ITEM	PART NO.	DESCRIPTION	QTY
30	1330414	Secondary Lock	1
30	1330437	Terminal (Pin).....	2
31	1490242	Connector (Key Switch).....	1
31	1490243	Secondary Lock	1
31	1330438	Socket (Terminal)	2
32	1534282	Clip	4
33	1500899	Clip	1
34	1502627	Connector (To Transmission Harness)	1
34	1330438	Socket (Terminal)	16
34	1484377	Plug.....	7
35	1531501	Connector (To Engine Harness).....	1
35	1330438	Socket (Terminal)	13
35	1330439	Plug.....	1
35	1484377	Plug.....	6
35	1554359	Terminal	3
35	1463139	Terminal	6
36	1514602	Connector (To Lights/Cab Harness)	1
36	1514603	Secondary Lock	1
36	1554359	Terminal	4
37	(End Cap).....	..
37	1514597	Connector	1
37	1330439	Plug.....	4
38	(End Cap).....	..
38	1480187	Connector	1
38	1330439	Plug.....	2
39	1545202	Connector (Accessory 1).....	1
39	1554359	Terminal	2
39	1546697	Secondary Lock	1
40	1402815	Clip	2
41	1587778	Clip	4
42	1509888	Clip	2
43	1525569	Connector (Vehicle System Manager).....	1
43	1530037	Secondary Lock	1
43	1463139	Terminal	11
43	1484377	Plug.....	1

WIRE HARNESS (Figure 4-19) ENGINE MAZDA 2.0L AND 2.2L, LPG

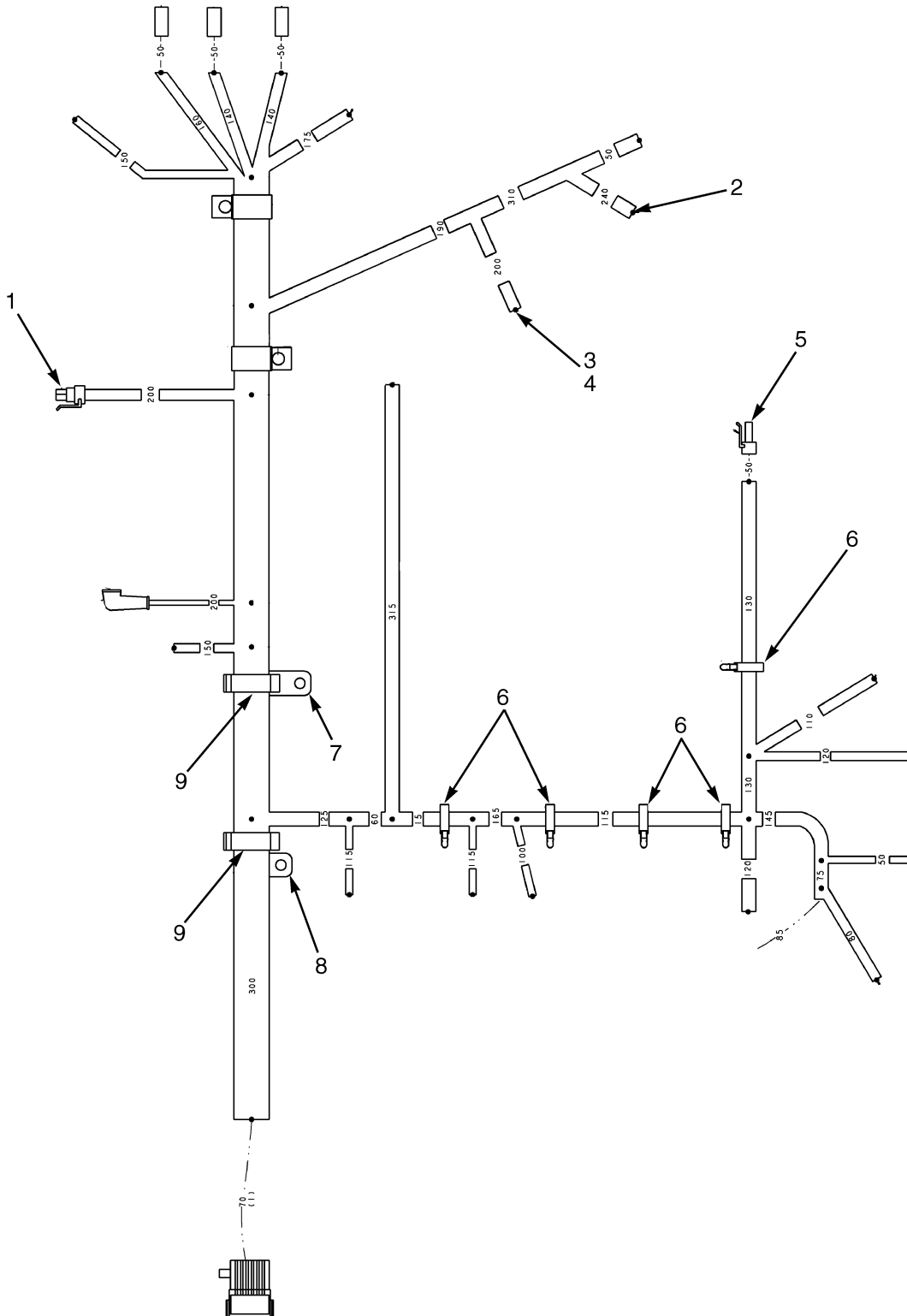


HP081563

**WIRE HARNESS
ENGINE
MAZDA 2.0L AND 2.2L, LPG**

ITEM	PART NO.	DESCRIPTION	QTY
	2065855	Wire Harness (LPG Engine)	1
1	1493458	E-Ring	1
2	1402890	Terminal.....	1
3	1532775	Clip	2
4	1561518	Connector (Oxygen Sensor).....	1
5	1465468	Connector.....	2
6	1547482	Connector.....	2
7	1567333	Clip	2
8	1532777	Clip	4
9	1547482	Connector.....	1
10	1378652	Connector Body.....	1
11	1454862	Cover (With Seal) (Alternator)	1
12	1378418	Fuse (50 Amp).....	1
13	1543553	Fuse Holder.....	1
14	1558226	Bracket	1
15	1402816	Clip	1
16	1531237	Body (Igniter).....	1
17	1531239	Connector (Coil)	1
18	1482651	Connector (Condenser).....	2
19	1531240	Body (Distributor)	1
20	1532761	Bracket	4
21	1329150	Connector (LPG Low Pressure Switch).....	1
22	1474764	Connector (Idle LPG Solenoid)	1
23	1465469	Receptacle (Air Filter Restriction).....	1
24	1465468	Connector (Air Filter Restriction Sensor).....	1
25	1474763	Connector (Main LPG Solenoid)	1
26	1327957	Connector (Oil Pressure Sensor)	1
27	1520864	Boot (Alternator).....	1
28	129888	Terminal.....	1
29	1323586	Connector (Coolant Temperature).....	1
30	1308259	Connector Body (Alternator)	1
31	1532776	Clip	1
32	1560441	Connector (MAP Sensor)	1
33	1531991	Connector (Throttle Position Sensor)	1
34	1531231	Connector (Governor)	1
35	1482654	Connector (Injector).....	1
36	1547479	Housing	1
37	1500899	Clip	1
38	1558228	Bracket	2
39	1531502	Connector (Chassis Harness).....	1
40	1581313	Connector (Starter)	1
41	1581315	Terminal.....	1

WIRE HARNESS (Figure 4-20) ENGINE GM 2.4L, LPG

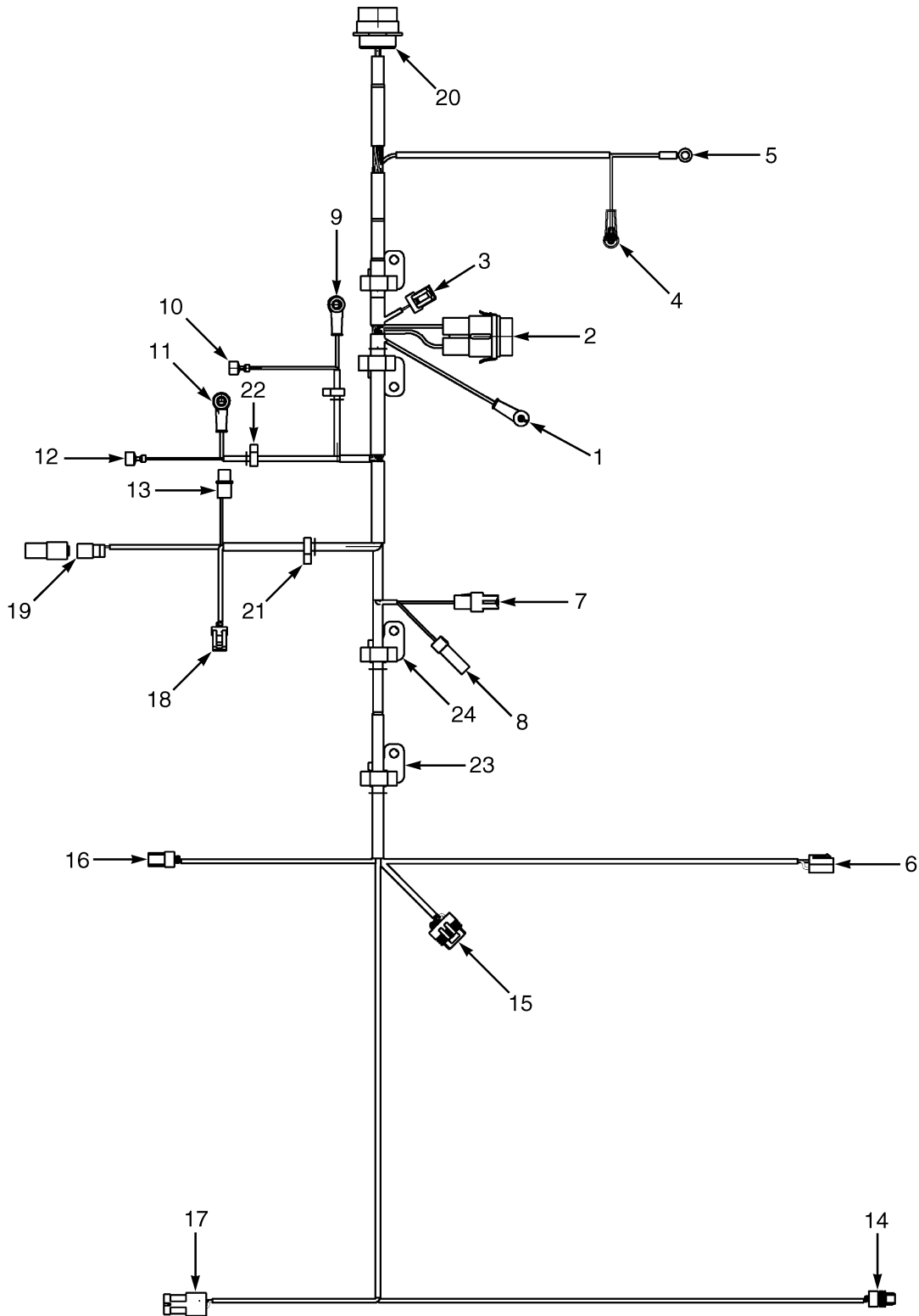


BP080319

**WIRE HARNESS
ENGINE
GM 2.4L, LPG**

ITEM	PART NO.	DESCRIPTION	QTY
	2053099	Wire Harness (Engine)	1
1	1327957	Connector	1
2	1327164	Plug	1
3	1465469	Receptacle	1
4	1323578	Pin	1
5	1323586	Connector	1
6	1500900	Clip	5
7	1532759	Bracket	1
8	1532758	Bracket	1
9	1532779	Clip	3

WIRE HARNESS (Figure 4-21) ENGINE YANMAR 2.6L AND 3.3L, DIESEL

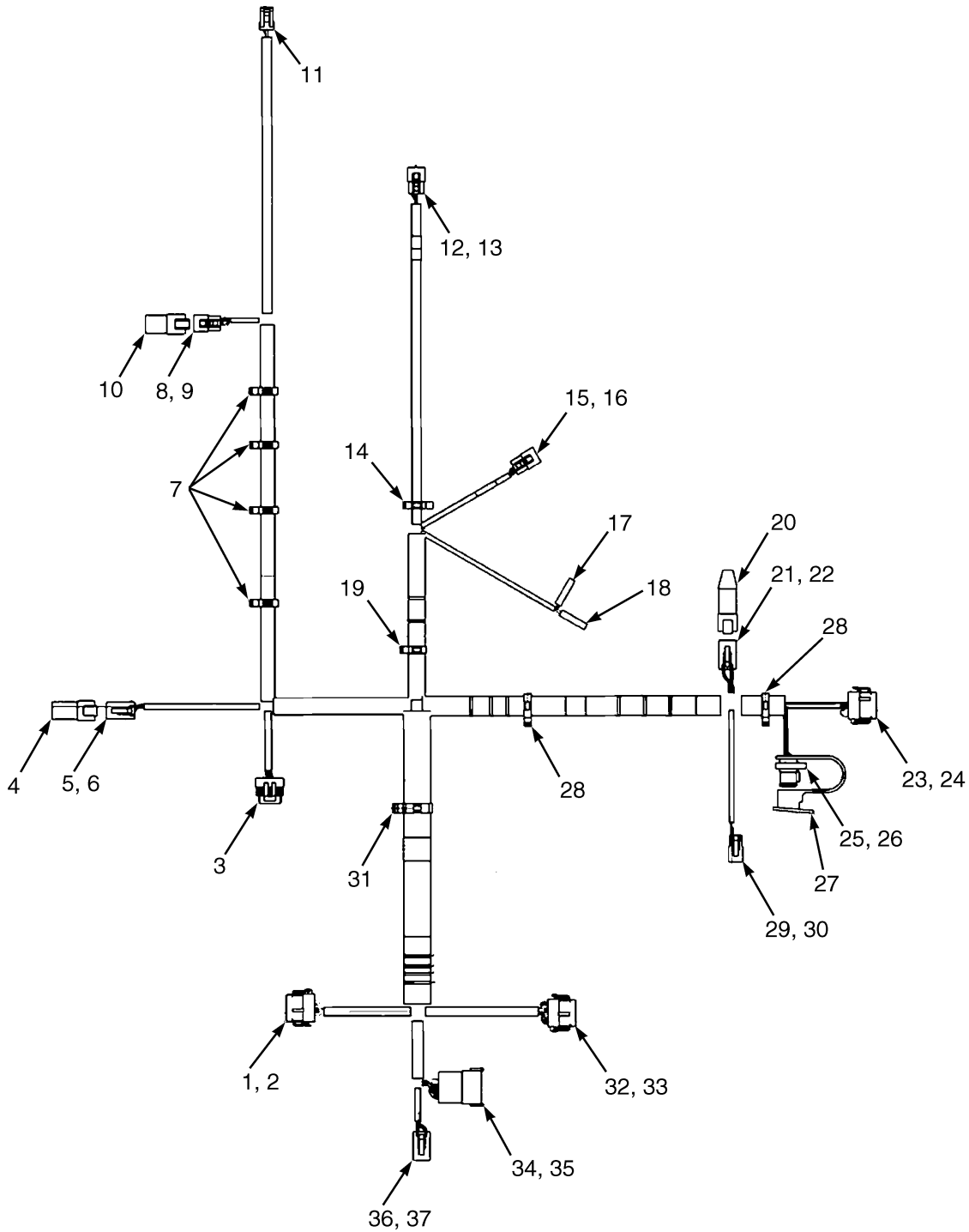


HP081650

**WIRE HARNESS
ENGINE
YANMAR 2.6L AND 3.3L, DIESEL**

ITEM	PART NO.	DESCRIPTION	QTY
	2060844	Wire Harness (Engine)	1
1	1559049	Terminal (Glow Plug)	1
1	190382	Boot.....	1
2	1454860	Connector (Fuse)	1
2	1382695	Connector	2
2	1382694	Fuse Connector	2
2	1454829	Fuse (60 Amp).....	1
2	1454862	Cover (With Seal)	1
3	1546673	Connector (Engine RPM Sensor).....	1
3	1323576	Terminal	3
4	1559049	Terminal (Starter Solenoid)	1
4	190382	Boot.....	1
5	148611	Terminal (Starter Stud)	1
6	1547368	Connector (Alternator).....	1
6	1565098	Fitting	2
7	1582484	Connector (Fuel Shut-Off Solenoid)	1
8	1582486	Connector (Cold Start Aid).....	1
9	1521328	Terminal (Relay Power To Glow Plugs)	1
9	190383	Boot.....	1
10	325789	Fitting (Relay Ground)	1
11	1521328	Terminal (Fused Power Positive)	1
11	190383	Boot.....	1
12	325789	Fitting (Relay Signal)	1
13	1547369	Connector (Fuel Filter/Water Separator)	1
14	1476077	Connector (Fuel Level Sensor).....	1
14	1323576	Terminal	2
15	1525584	Connector (Throttle Position Sensor)	1
15	1532571	Terminal	6
16	1323586	Connector (Water Temperature Sensor)	1
16	1323576	Terminal	2
17	1465469	Receptacle (Air Filter Sensor)	1
17	1323578	Pin.....	2
17	1402888	Seal.....	2
17	1498416	Terminal.....	2
18	1327957	Connector (Low Engine Oil Pressure Switch)	1
18	1532571	Terminal	3
19	1330419	Connector (Pull Actuator)	1
19	1330436	Terminal	2
19	1330424	Secondary Lock.....	1
19	1351681	Connector.....	1
20	1531502	Connector (Engine To Chassis).....	1
20	1484709	Terminal (Pin).....	3
20	1330437	Terminal (Pin).....	19
20	1330439	Plug	7
21	1500901	Clip	1
22	1509888	Clip	2
23	1532776	Clip	4
24	1532761	Bracket	4

WIRE HARNESS (Figure 4-22) COWL



HP081564

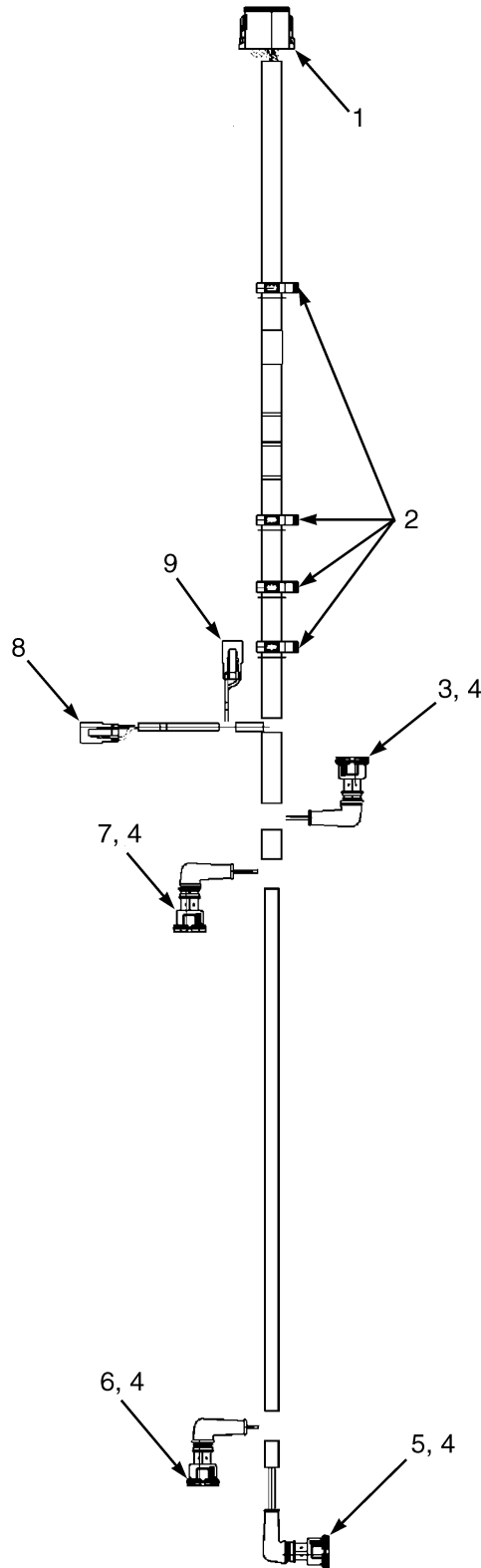
**WIRE HARNESS
COWL**

ITEM	PART NO.	DESCRIPTION	QTY
	2070269	Wire Harness.....	1
1	1525568	Connector (Vehicle System Manager).....	1
1	1463139	Terminal.....	10
1	1484377	Plug.....	2
2	1529046	Secondary Lock.....	1
3	1525584	Connector (Accelerator Pedal).....	1
3	1532571	Terminal.....	6
4	1525573	Connector.....	1
5	1489656	Connector (To Monotrol Harness).....	1
5	1330438	Socket (Terminal).....	4
6	1489657	Secondary Lock.....	1
7	1509890	Clip.....	4
8	1484397	Connector (To Mast Harness).....	1
8	1330438	Socket (Terminal).....	3
9	1463194	Secondary Lock.....	1
10	1351682	End Cap.....	1
11	1327957	Connector (Brake Pressure).....	1
11	1532571	Terminal.....	3
12	1484397	Connector (Brake Pedal).....	1
12	1330438	Socket (Terminal).....	3
13	1463194	Secondary Lock.....	1
14	1402816	Clip.....	1
15	1484397	Connector (Park Brake).....	1
15	1330438	Socket (Terminal).....	3
16	1463194	Secondary Lock.....	1
17	1324310	Terminal.....	1
17	1566227	Terminal (Optional).....	1
17	1324309	Sleeve.....	1
17	1566076	Seal (Optional).....	1
18	1324310	Terminal.....	1
18	1566227	Terminal (Optional).....	1
18	1324309	Sleeve.....	1
18	1566076	Seal (Optional).....	1
19	1534828	Clip.....	1
20	1525577	Connector.....	1
21	1489656	Connector (Bus Terminal 1).....	1
21	1330438	Socket (Terminal).....	4
22	1489657	Secondary Lock.....	1
23	1525567	Connector (Display).....	1
23	1463139	Terminal.....	5
23	1484377	Plug.....	7
24	1529046	Secondary Lock.....	1
25	1566116	Connector (Diagnostic).....	1
25	1330438	Socket (Terminal).....	3
26	1532664	Secondary Lock.....	1
27	1566117	Dust Cap.....	1
28	1500899	Clip.....	2
29	1490242	Connector (Horn Button).....	1
29	1330438	Socket (Terminal).....	2
30	1490243	Secondary Lock.....	1
31	1534282	Clip.....	1

**WIRE HARNESS
COWL**

ITEM	PART NO.	DESCRIPTION	QTY
32	1525570	Connector (Vehicle System Manager).....	1
32	1463139	Terminal	7
32	1484377	Plug.....	5
33	1529046	Secondary Lock.....	1
34	1500925	Connector (RH Chassis)	1
34	1330437	Terminal (Pin).....	9
34	1330439	Plug.....	3
35	1352603	Secondary Lock.....	1
36	1489656	Connector (RH Chassis)	1
36	1330438	Socket (Terminal)	4
37	1489657	Secondary Lock.....	1

WIRE HARNESS (Figure 4-23) ELECTRONIC CONTROL VALVE THREE FUNCTION

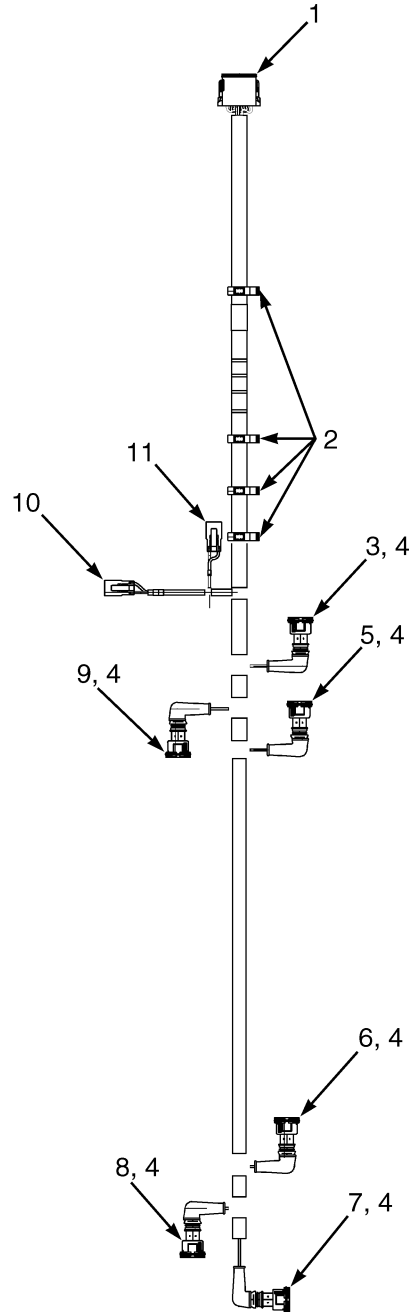


HP081569

**WIRE HARNESS
ELECTRONIC CONTROL VALVE
THREE FUNCTION**

ITEM	PART NO.	DESCRIPTION	QTY
	2060198	Wire Harness (Electronic Control Valve)	1
1	1525564	Connector (Vehicle System Manager).....	1
1	1330438	Socket (Terminal)	9
1	1330439	Plug.....	3
1	1525564	Connector.....	1
1	1500913	Secondary Lock.....	1
2	1402815	Clip	4
3	1531162	Connector (2A Tilt)	1
3	1562649	Seal.....	2
3	1402814	Terminal	2
4	190383	Boot.....	4
5	1531162	Connector (2B Tilt)	1
5	1562649	Seal.....	2
5	1402814	Terminal	2
6	1493435	Socket (3B Auxiliary 1)	1
6	1562649	Seal.....	2
6	1402814	Terminal	2
7	1493435	Socket (3A Auxiliary 1)	1
7	1562649	Seal.....	2
7	1402814	Terminal	2
8	1490242	Connector (Lift).....	1
8	1330438	Socket (Terminal)	2
8	1490243	Secondary Lock.....	1
9	1490242	Connector (Lower).....	1
9	1330438	Socket (Terminal)	2
9	1490243	Secondary Lock.....	1

WIRE HARNESS (Figure 4-24) ELECTRONIC CONTROL VALVE FOUR FUNCTION

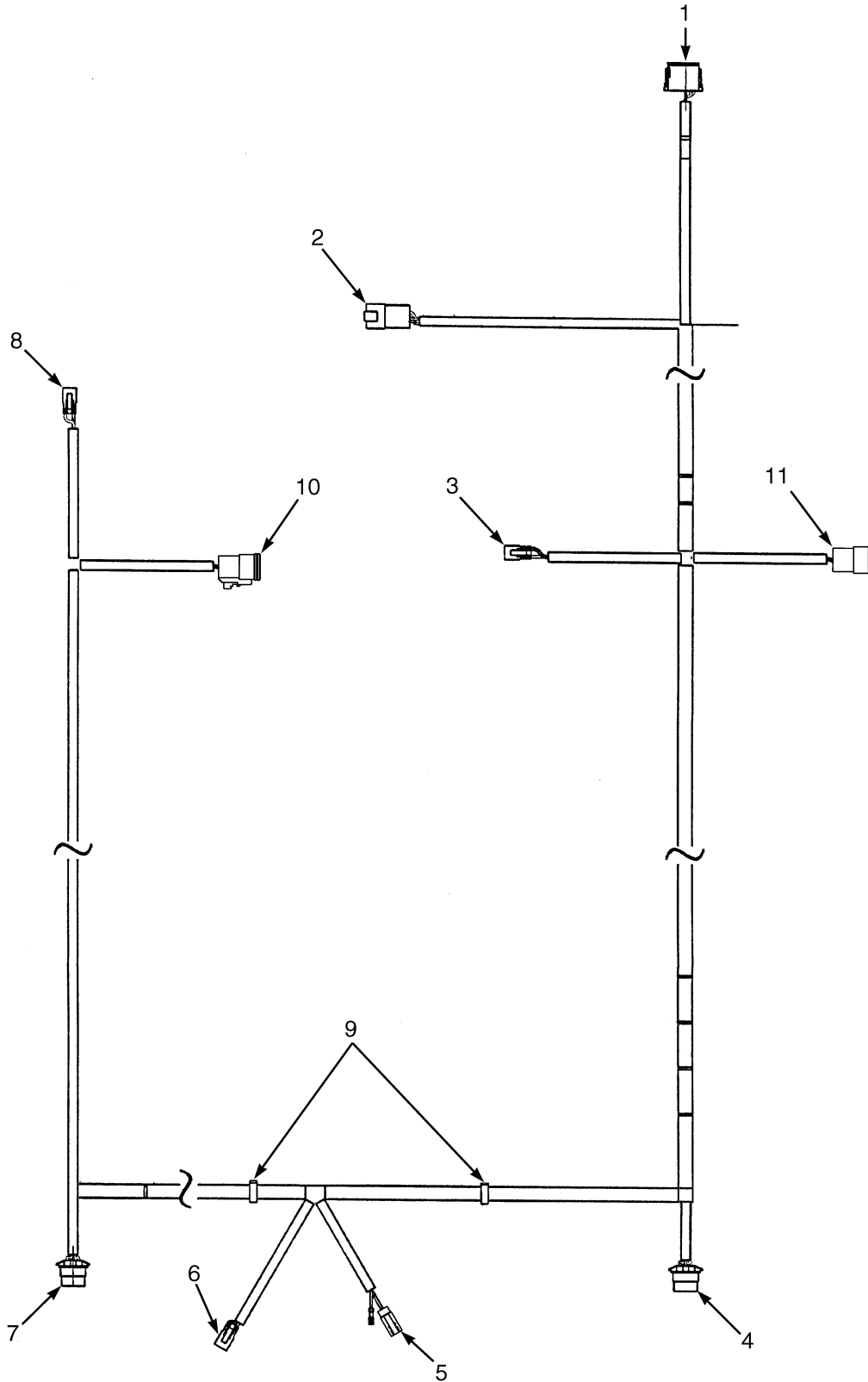


HP081568

WIRE HARNESS ELECTRONIC CONTROL VALVE FOUR FUNCTION

ITEM	PART NO.	DESCRIPTION	QTY
	2058909	Wire Harness (Electronic Control Valve)	1
1	1525564	Connector (Vehicle System Manager).....	1
1	1330438	Socket (Terminal)	12
1	1500913	Secondary Lock.....	1
2	1402815	Clip	4
3	1531162	Connector (2A Tilt)	1
3	1562649	Seal.....	2
3	1402814	Terminal	2
4	190383	Boot.....	6
5	1493447	Socket Housing (4A Auxiliary 2)	1
5	1562649	Seal.....	2
5	1402814	Terminal	2
6	1493447	Socket Housing (4B Auxiliary 2)	1
6	1562649	Seal.....	2
6	1402814	Terminal	2
7	1531162	Connector (2B Tilt)	1
7	1562649	Seal.....	2
7	1402814	Terminal	2
8	1493435	Socket (3B Auxiliary 1)	1
8	1562649	Seal.....	2
8	1402814	Terminal	2
9	1493435	Socket (3A Auxiliary 1)	1
9	1562649	Seal.....	2
9	1402814	Terminal	2
10	1490242	Connector (Lift).....	1
10	1330438	Socket (Terminal)	2
10	1490243	Secondary Lock	1
11	1490242	Connector (Lower).....	1
11	1330438	Socket (Terminal)	2
11	1490243	Secondary Lock	1

WIRE HARNESS (Figure 4-25) LIGHTS

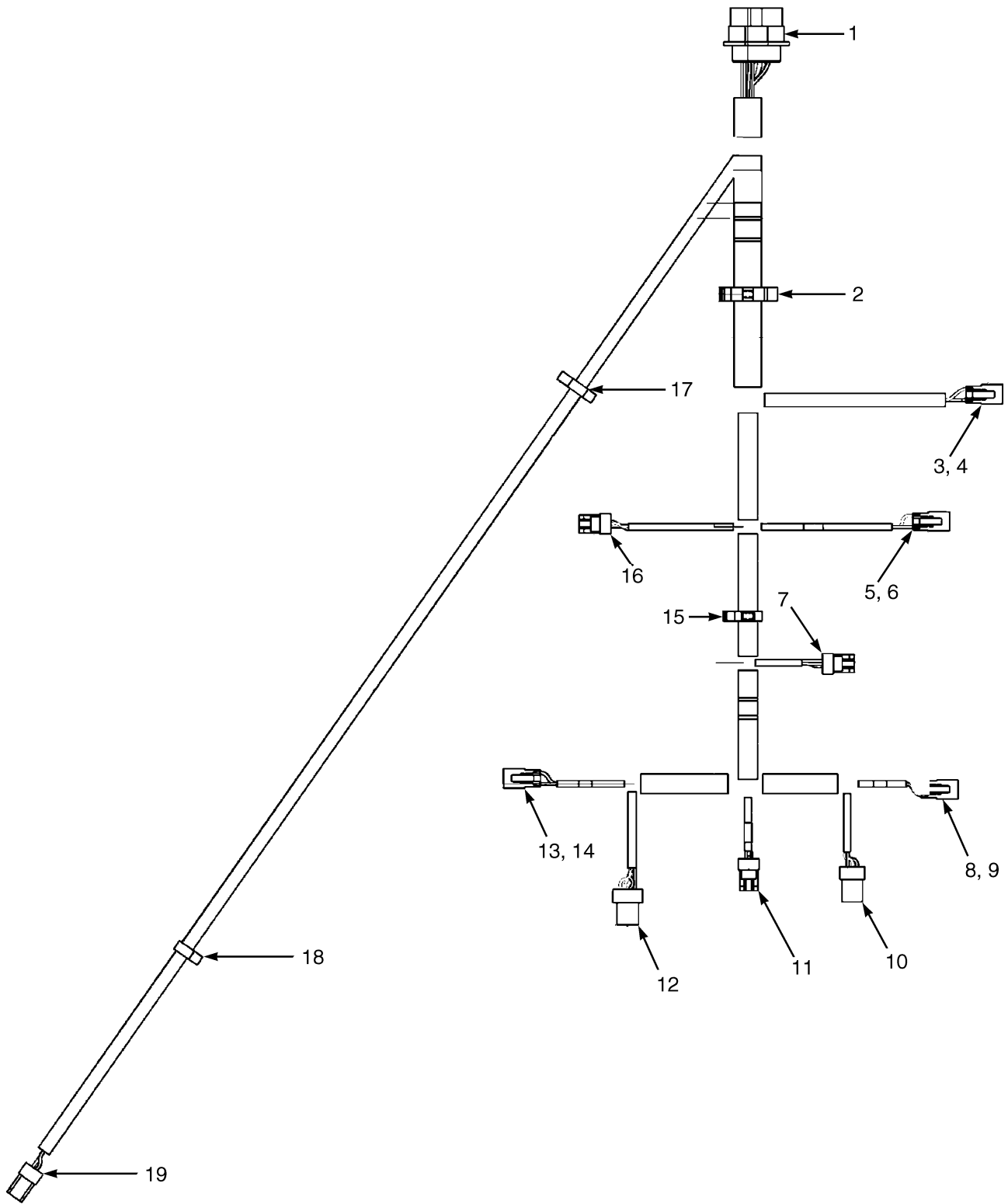


HP081645

**WIRE HARNESS
LIGHTS**

ITEM	PART NO.	DESCRIPTION	QTY
	2074737	Wire Harness (Lights).....	1
1	1525566	Connector (Vehicle System Manager).....	1
1	1330439	Plug.....	7
1	1330438	Socket (Terminal).....	5
1	1500913	Secondary Lock.....	1
2	1514597	Connector (Chassis Harness).....	1
2	1484709	Terminal (Pin).....	4
2	1514598	Secondary Lock.....	1
3	1490242	Connector (RH Front Work Lights).....	1
3	1363886	Socket.....	2
3	1490243	Secondary Lock.....	1
4	1531486	Connector (RH Rear Signal Lights).....	1
4	1330355	Terminal.....	5
4	1330356	Seal.....	1
4	1482668	Plug.....	1
4	930591	Lock.....	1
4	1476108	Seal.....	4
5	1484557	Housing (Socket) (Strobe Lights).....	1
5	1484558	Retainer (Socket).....	1
5	1463139	Terminal.....	2
6	1490242	Connector (Rear Work Lights).....	1
6	1363886	Socket.....	2
6	1490243	Secondary Lock.....	1
7	1531486	Connector (LH Rear Signal Lights).....	1
7	1330355	Terminal.....	5
7	1330356	Seal.....	1
7	1482668	Plug.....	1
7	930591	Lock.....	1
7	1476108	Seal.....	4
8	1490242	Connector (LH Front Work Lights).....	1
8	1363886	Socket.....	2
8	1490243	Secondary Lock.....	1
9	1509890	Clip.....	2
10	1484397	Connector (LH Front Signal).....	1
10	1330438	Socket (Terminal).....	3
11	1484397	Connector (RH Front Signal).....	1
11	1330438	Socket (Terminal).....	3

WIRE HARNESS (Figure 4-26) TRANSMISSION DUAL SPEED

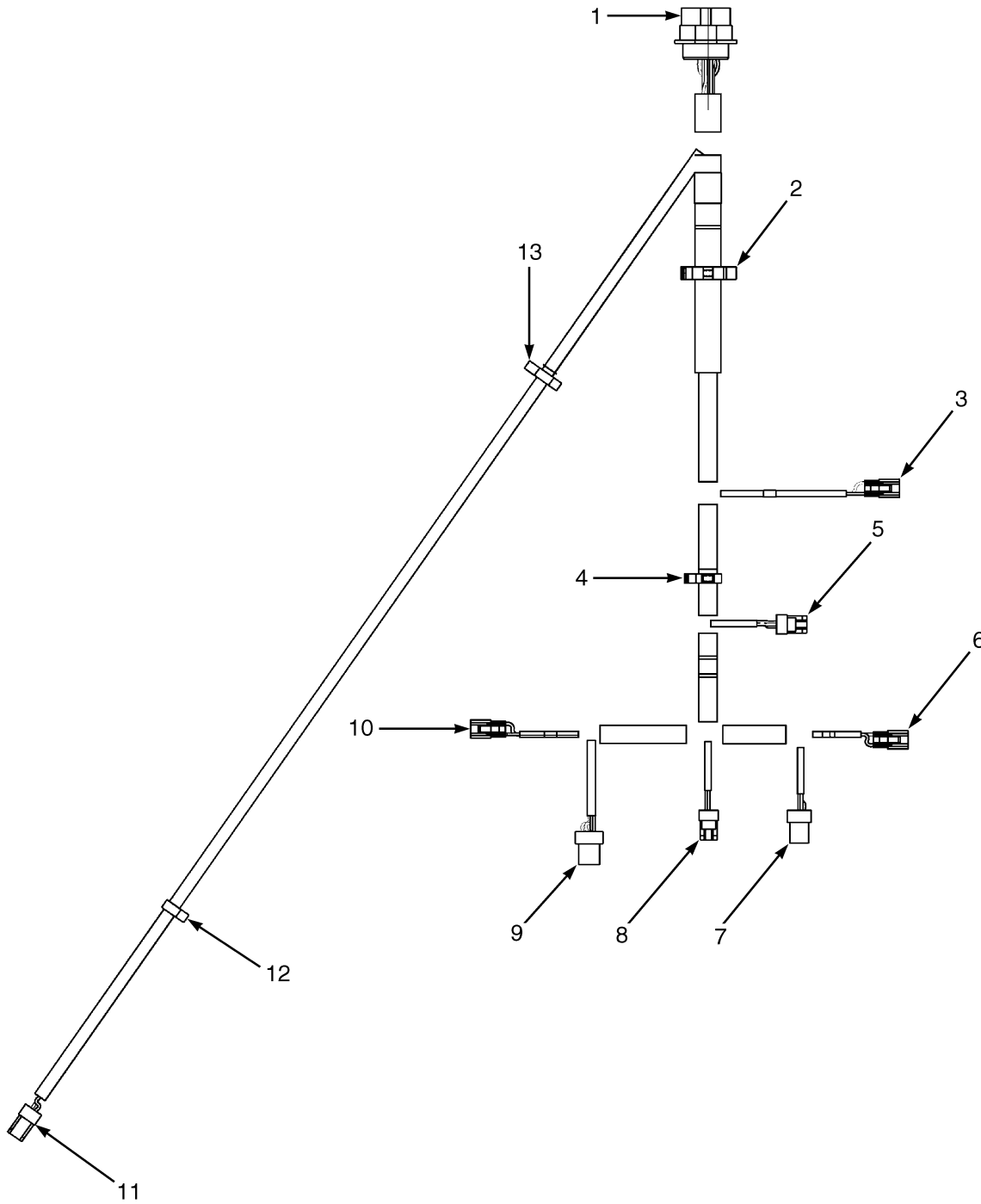


HP081643

**WIRE HARNESS
TRANSMISSION
DUAL SPEED**

ITEM	PART NO.	DESCRIPTION	QTY
	2075644	Wire Harness (Transmission)	1
1	1500919	Connector (To Chassis).....	1
1	1330437	Terminal (Pin).....	17
1	1484377	Plug.....	6
2	1402813	Clip	1
3	1490242	Connector (Clutch Forward 2).....	1
3	1330438	Socket (Terminal)	2
4	1490243	Secondary Lock.....	1
5	1490242	Connector (Clutch Forward 1)	1
5	1330438	Socket (Terminal)	2
6	1490243	Secondary Lock.....	1
7	1327957	Connector (Forward 1 Pressure).....	1
7	1532571	Terminal	3
8	1490242	Connector (Clutch Reverse 1).....	1
8	1330438	Socket (Terminal)	2
9	1490243	Secondary Lock.....	1
10	1546673	Connector (Turbine Shaft RPM)	1
10	1323576	Terminal	3
11	1327957	Connector (Reverse 1 Pressure).....	1
11	1532571	Terminal	3
12	1558156	Connector (Tail Shaft RPM).....	1
12	1323576	Terminal	4
13	1490242	Connector (Transmission Check Valve).....	1
13	1330438	Socket (Terminal)	2
14	1490243	Secondary Lock.....	1
15	1534828	Clip	1
16	1327957	Connector (Forward 2 Pressure).....	1
16	1532571	Terminal	3
17	1402816	Clip	1
18	1509888	Clip	1
19	1402868	Connector (Transmission Temperature)	1
19	1323576	Terminal	2

WIRE HARNESS (Figure 4-27) TRANSMISSION SINGLE SPEED



HP081642

**WIRE HARNESS
TRANSMISSION
SINGLE SPEED**

ITEM	PART NO.	DESCRIPTION	QTY
	2070731	Wire Harness (Transmission)	1
1	1500919	Connector (To Chassis).....	1
1	1330437	Terminal (Pin).....	14
1	1330439	Plug.....	9
2	1402813	Clip	1
3	1490242	Connector (Clutch Forward 1).....	1
3	1330438	Socket (Terminal)	2
3	1490243	Secondary Lock	1
4	1402815	Clip	1
5	1327957	Connector (Forward 1 Pressure).....	1
5	1532571	Terminal	3
6	1490242	Connector (Clutch Reverse 1).....	1
6	1330438	Socket (Terminal)	2
6	1490243	Secondary Lock	1
7	1546673	Connector (Turbine Shaft RPM)	1
7	1323576	Terminal	3
8	1327957	Connector (Reverse 1 Pressure).....	1
8	1532571	Terminal	3
9	1558156	Connector (Tail Shaft RPM).....	1
9	1323576	Terminal	4
10	1490242	Connector (Transmission Charge Valve)	1
10	1490243	Secondary Lock	1
10	1330438	Socket (Terminal)	2
11	1402868	Connector (Transmission Temperature)	1
11	1323576	Terminal	2
12	1509888	Clip	1
13	1402816	Clip	1