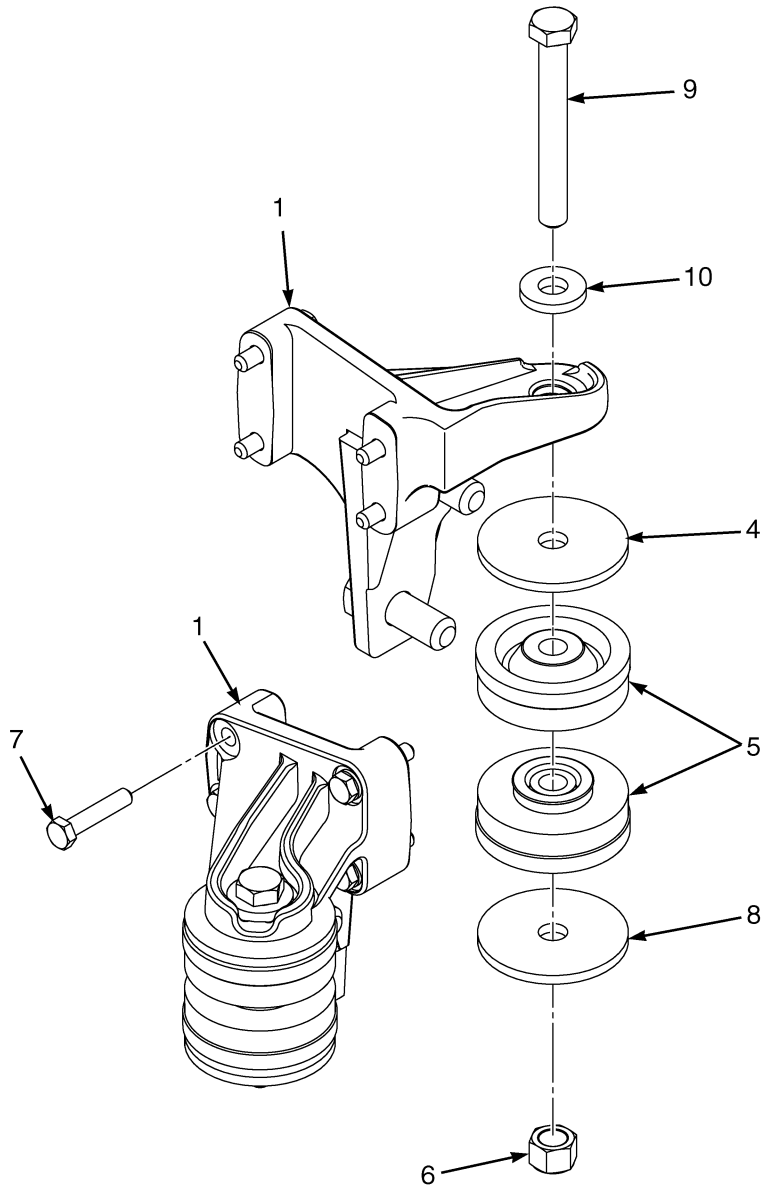
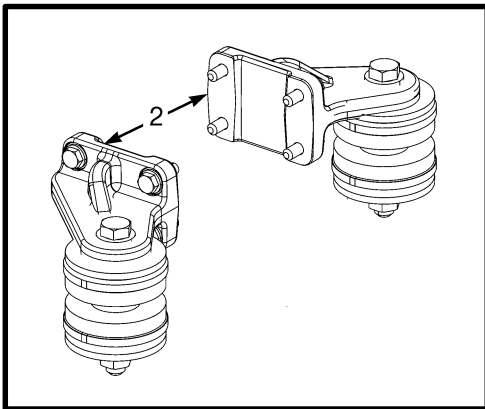
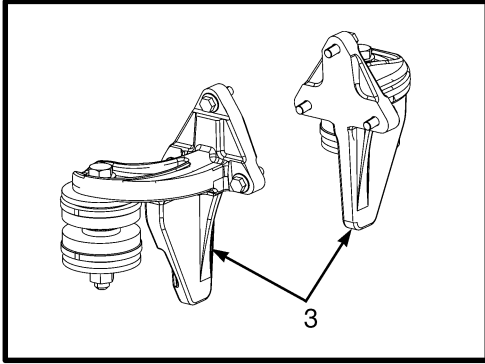


ENGINE MOUNTING (Figure 2-1)

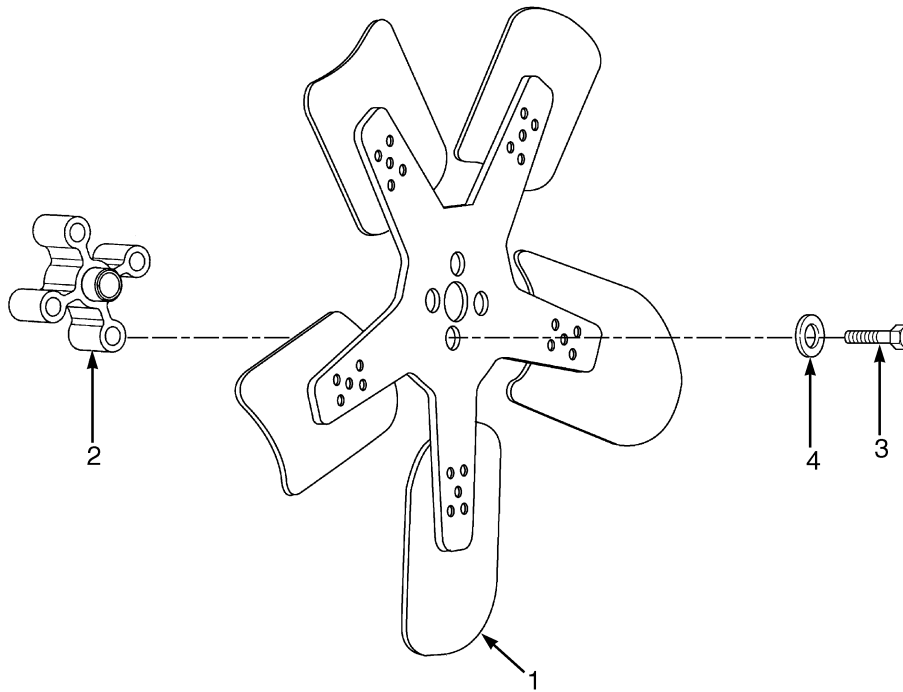


HP091236

ENGINE MOUNTING**KEY:****A: Mazda Engine****B: GM Engine****C: Yanmar Diesel Engine**

ITEM	PART NO.	DESCRIPTION	QTY		
			A	B	C
1	1557478	Engine Mount (RH)	1
1	1557479	Engine Mount (LH)	1
2	1557767	Engine Mount	2
3	1558184	Engine Mount (LH)	1	..
3	1558186	Engine Mount (RH)	1	..
4	1557737	Washer	4	4	4
5	2069951	Isolator	4	4	4
6	1565453	Nut (Flange)	2	2	4
7	293698	Capscrew	8	6	8
8	1504075	Washer	2	2	4
9	1565150	Bolt (Flange)	2
9	1565195	Capscrew	2	..
9	293630	Capscrew	4
10	296420	Washer	8

FAN ASSEMBLY (Figure 2-2)



HP091244

KEY:

- A: Mazda Engines**
- B: GM Engines**
- C: Yanmar Diesel Engines**

ITEM	PART NO.	DESCRIPTION	QTY		
			A	B	C
1	1375642	Fan.....	1	1	1
2	1528140	Spacer	1
2	1539154	Spacer	1	..
2	1377781	Spacer	1
3	293619	Capscrew.....	4	..	4
3	1566505	Capscrew.....	..	4	..
4	296418	Washer	4	4	4

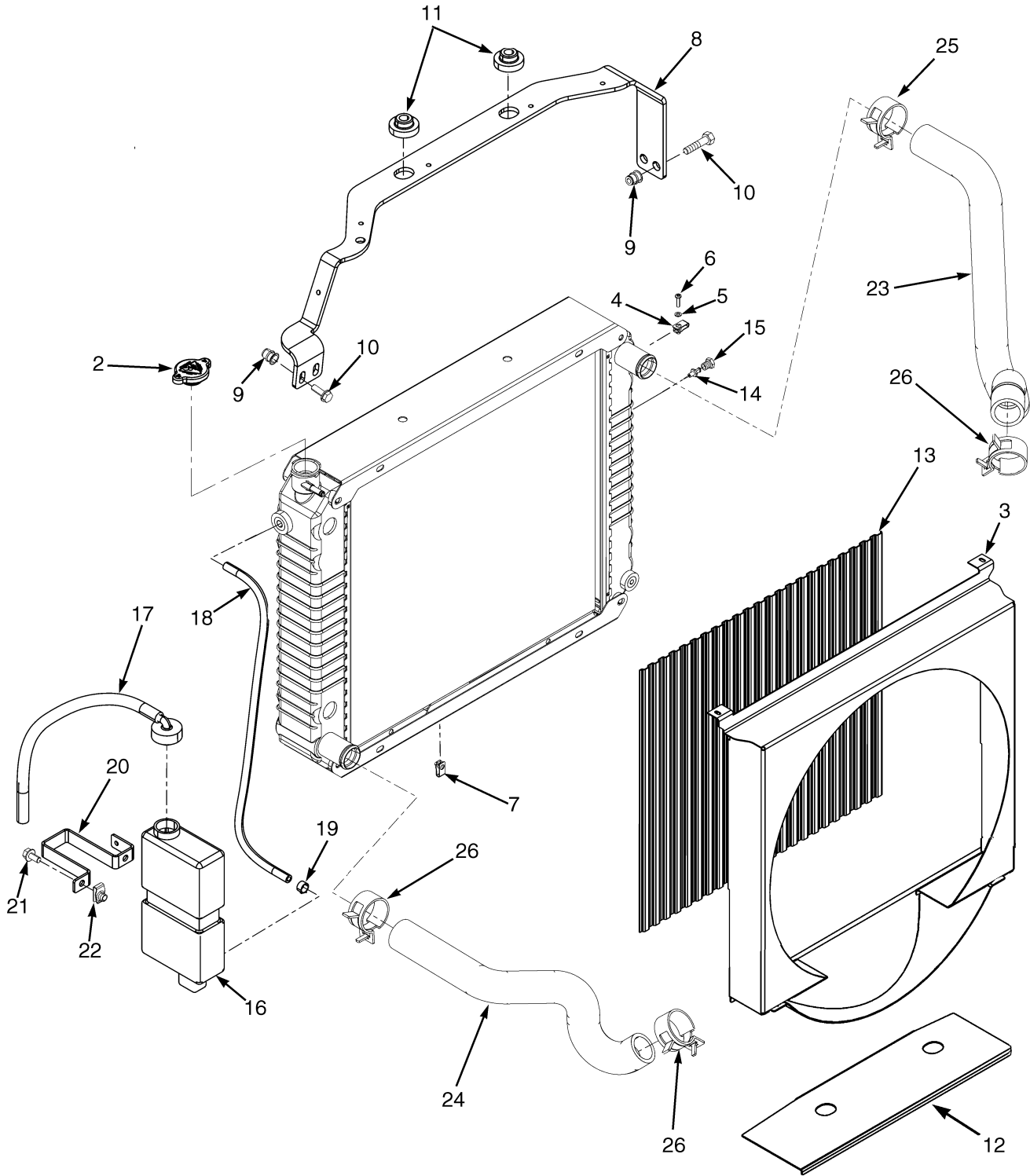
COOLING SYSTEM
MAZDA 2.0L AND 2.2L, LPG, SERPENTINE RADIATOR
BASIC POWERSHIFT TRANSMISSION

ITEM	PART NO.	DESCRIPTION	QTY
1	2054879	Radiator	1
2	1528495	Drain Plug.....	1
3	1352140	Cap.....	1
4	1593356	Shroud	1
5	1535257	Clip	2
6	320154	Washer	2
7	302023	Screw.....	2
8	1329271	Clip	2
9	1588508	Bracket (Radiator).....	1
10	1530243	Insert.....	4
11	1583611	Capscrew.....	4
12	1529787	Isolator.....	4
13	1565691	Shield (Exhaust)	1
14	2069699	Hose (Upper)	1
15	2069698	Hose (Lower)	1
16	1502000	Clamp	1
17	1527982	Clamp	3
18	1548497	Screen	1
19	1347026	Reservoir	1
20	345455	Outlet Assembly.....	1
20	336550	Bushing	1
20	345453	Outlet (Reservoir).....	1
20	345454	Cap.....	1
20	339735	Hose.....	1
21	1567674	Hose	1
22	369815	Clamp	2
23	1531167	Bracket.....	1
24	1527879	Capscrew.....	2
25	1480237	Clip Nut.....	2
26	1531404	Sensor (Low Coolant Level).....	1
27	a 14385	Plug	1

FOOTNOTES:

a Without Low Coolant Level Sensor

COOLING SYSTEM (Figure 2-4) MAZDA 2.0L AND 2.2L, LPG, SQUARE WAVE RADIATOR BASIC POWERSHIFT TRANSMISSION, WITH INTERNAL AIR OIL COOLER



HP060037

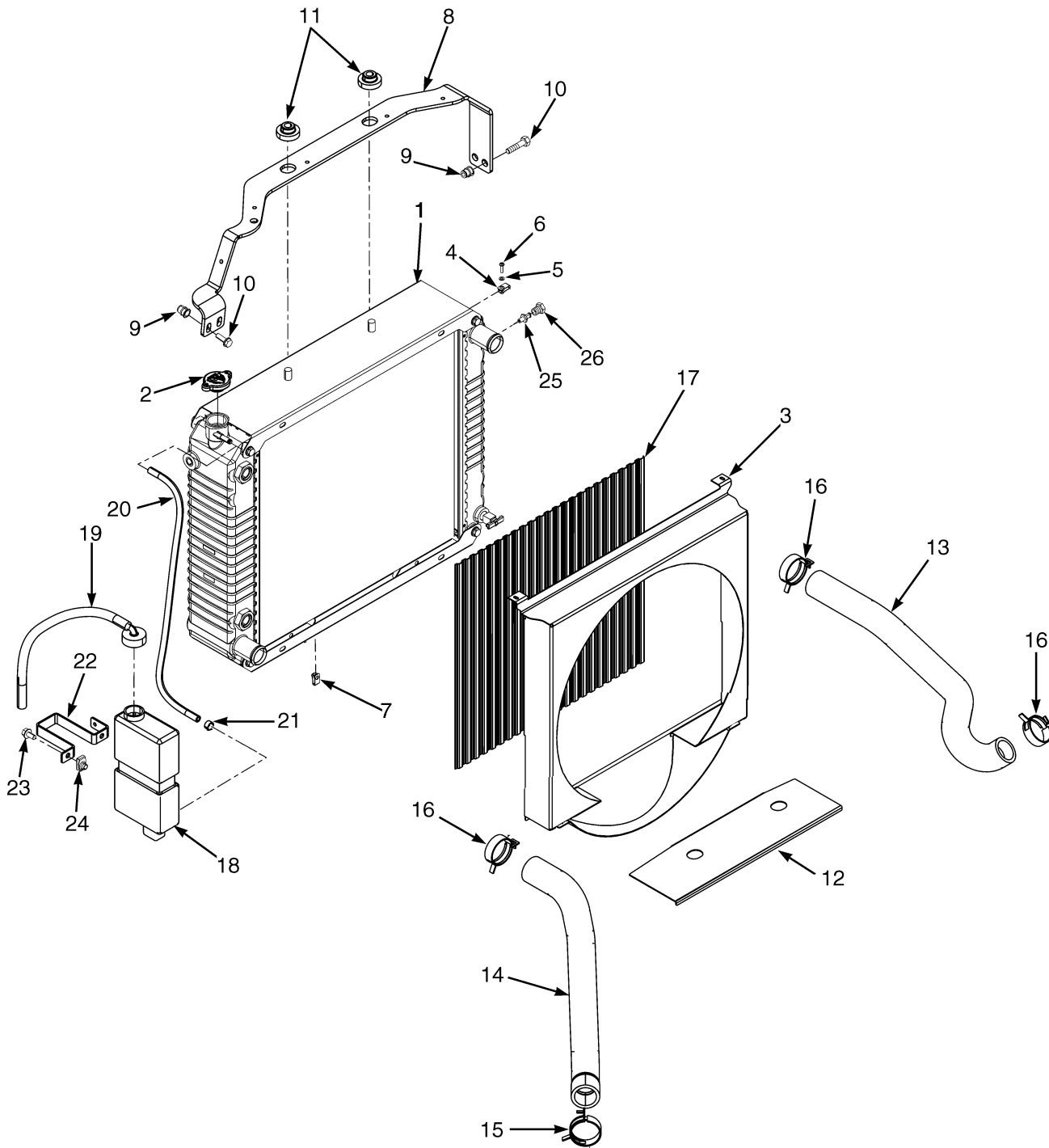
COOLING SYSTEM
MAZDA 2.0L AND 2.2L, LPG, SQUARE WAVE RADIATOR
BASIC POWERSHIFT TRANSMISSION, WITH INTERNAL AIR OIL COOLER

ITEM	PART NO.	DESCRIPTION	QTY
1	2056870	Radiator	1
1	1569079	Draincock (With Thread Wrap)	1
2	1352140	Cap	1
3	1565391	Shroud	1
4	1535257	Clip	2
5	320154	Washer	2
6	302023	Screw	2
7	1329271	Clip	2
8	1588507	Bracket (Radiator)	1
9	1530243	Insert	4
10	1583611	Capscrew	4
11	1529787	Isolator	4
12	1565691	Shield (Exhaust)	1
13	1548497	Screen	1
14	1531404	Sensor (Low Coolant Level)	1
15	a 14385	Plug	1
16	1347026	Reservoir	1
17	345455	Outlet Assembly	1
17	345453	Outlet (Reservoir)	1
17	345454	Cap	1
17	336550	Bushing	1
17	339735	Hose	1
18	1567674	Hose	1
19	369815	Clamp	2
20	1531167	Bracket	1
21	1527879	Capscrew	2
22	1480237	Clip Nut	2
23	2069699	Hose (Upper)	1
24	2069698	Hose (Lower)	1
25	1502000	Clamp	1
26	1527982	Clamp	3

FOOTNOTES:

a Without Low Coolant Level Sensor

COOLING SYSTEM (Figure 2-5) MAZDA 2.0L AND 2.2L, LPG, SQUARE WAVE RADIATOR ELECTRONIC CONTROL TRANSMISSION, WITH INTERNAL AIR OIL COOLER



HP060046

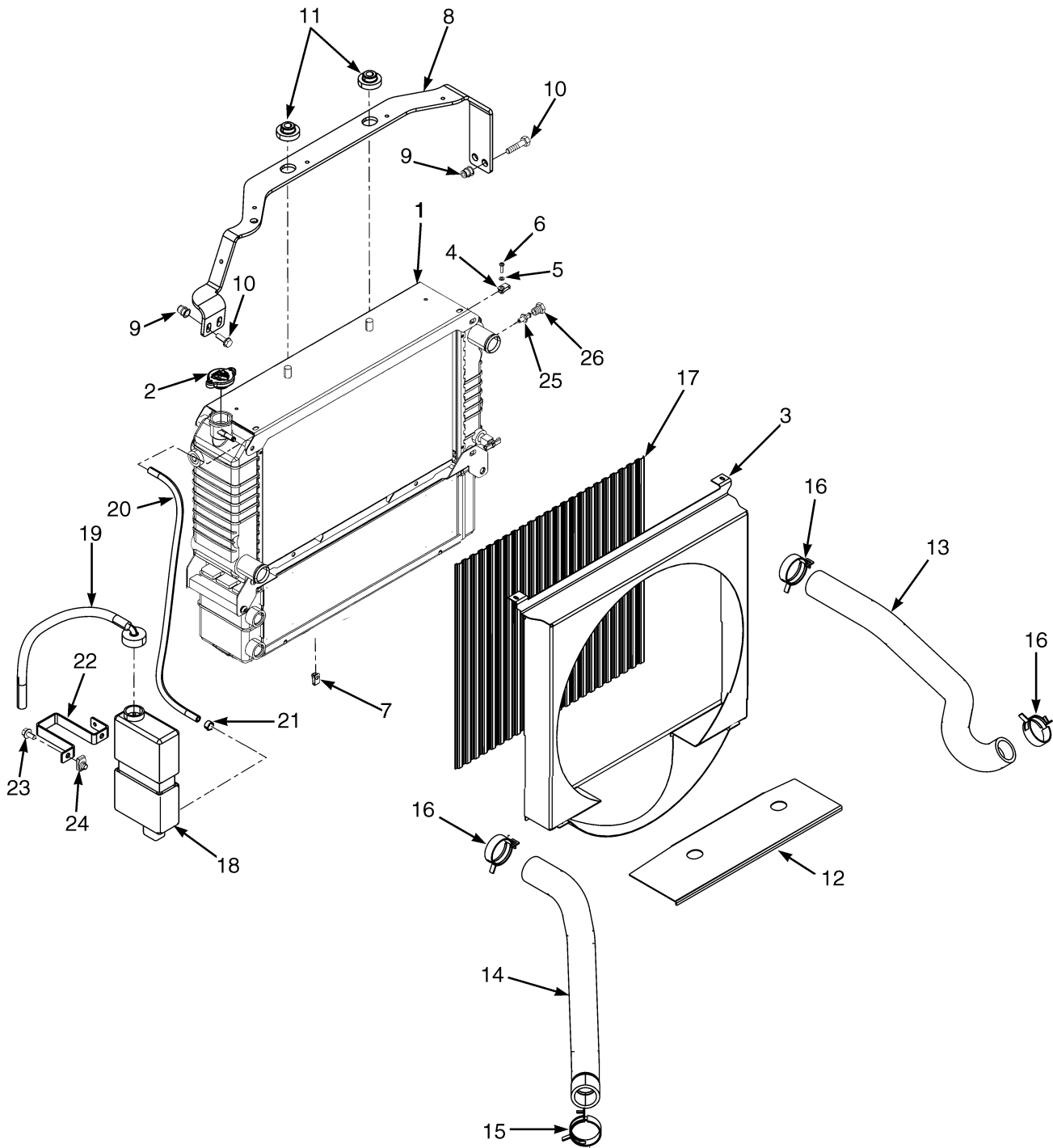
COOLING SYSTEM
MAZDA 2.0L AND 2.2L, LPG, SQUARE WAVE RADIATOR
ELECTRONIC CONTROL TRANSMISSION, WITH INTERNAL AIR OIL COOLER

ITEM	PART NO.	DESCRIPTION	QTY
1	2071615	Radiator Assembly.....	1
1	1569079	Draincock (With Thread Wrap).....	1
1	1597795	Capscrew	8
2	1352140	Cap	1
3	1594057	Shroud	1
4	1535257	Clip	2
5	320154	Washer	2
6	302023	Screw.....	2
7	1551663	Clip	2
8	1585317	Bracket (Radiator).....	1
9	1530243	Insert.....	4
10	1583611	Capscrew.....	4
11	1529787	Isolator.....	4
12	1565692	Shield (Exhaust)	1
13	2069701	Hose (Upper)	1
14	2069702	Hose (Lower)	1
15	1502000	Clamp	1
16	1527982	Clamp	3
17	1582078	Screen	1
18	1347026	Reservoir	1
19	345455	Outlet Assembly.....	1
19	336550	Bushing	1
19	345453	Outlet (Reservoir)	1
19	345454	Cap.....	1
19	339735	Hose.....	1
20	1567674	Hose	1
21	369815	Clamp	2
22	1531167	Bracket.....	1
23	1527879	Capscrew.....	2
24	1480237	Clip Nut.....	2
25	1531404	Sensor (Low Coolant Level).....	1
26	a 14385	Plug	1

FOOTNOTES:

a Without Low Coolant Level Sensor

COOLING SYSTEM (Figure 2-6) MAZDA 2.0L AND 2.2L, LPG, SQUARE WAVE RADIATOR ELECTRONIC CONTROL TRANSMISSION, WITH EXTERNAL AIR OIL COOLER



HP060047

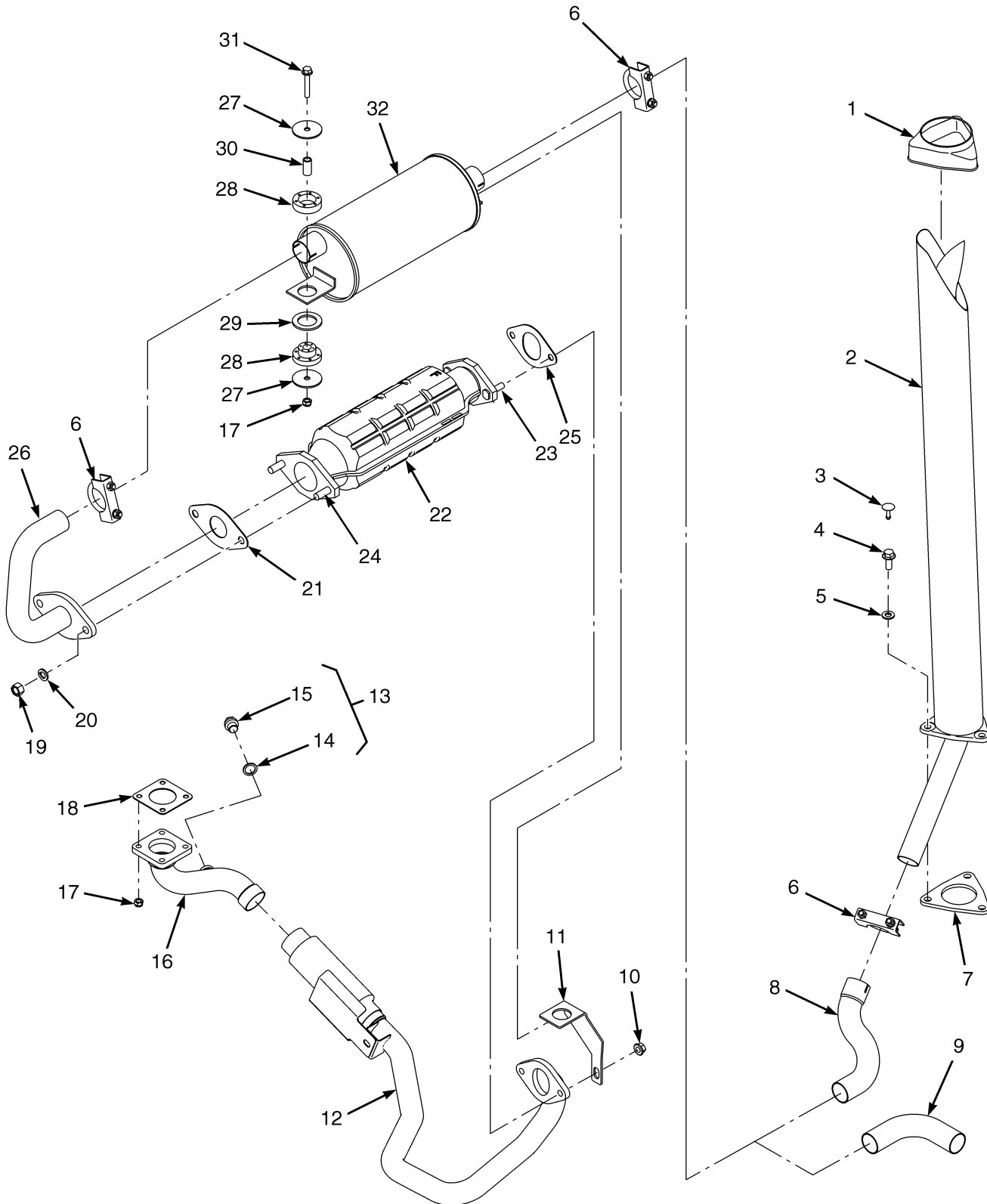
COOLING SYSTEM
MAZDA 2.0L AND 2.2L, LPG, SQUARE WAVE RADIATOR
ELECTRONIC CONTROL TRANSMISSION, WITH EXTERNAL AIR OIL COOLER

ITEM	PART NO.	DESCRIPTION	QTY
1	2074789	Radiator Assembly.....	1
1	1590917	Radiator.....	1
1	1590918	Oil Cooler	1
1	1597765	Washer	4
1	1597766	Screw	4
2	1352140	Cap	1
3	1582074	Shroud	1
4	1535257	Clip	2
5	320154	Washer	2
6	302023	Screw.....	2
7	1551663	Clip	2
8	1585317	Bracket (Radiator).....	1
9	1530243	Insert.....	4
10	1583611	Capscrew.....	4
11	1529787	Isolator.....	4
12	1565692	Shield (Exhaust)	1
13	2069701	Hose (Upper)	1
14	2069702	Hose (Lower)	1
15	1502000	Clamp	1
16	1527982	Clamp	3
17	1582078	Screen	1
18	1347026	Reservoir	1
19	345455	Outlet Assembly.....	1
19	336550	Bushing	1
19	345453	Outlet (Reservoir)	1
19	345454	Cap.....	1
19	339735	Hose.....	1
20	1567674	Hose	1
21	369815	Clamp	2
22	1531167	Bracket.....	1
23	1527879	Capscrew.....	2
24	1480237	Clip Nut.....	2
25	1531404	Sensor (Low Coolant Level).....	1
26	a 14385	Plug	1

FOOTNOTES:

a Without Low Coolant Sensor

EXHAUST SYSTEM (Figure 2-7) MAZDA 2.0L AND 2.2L LPG

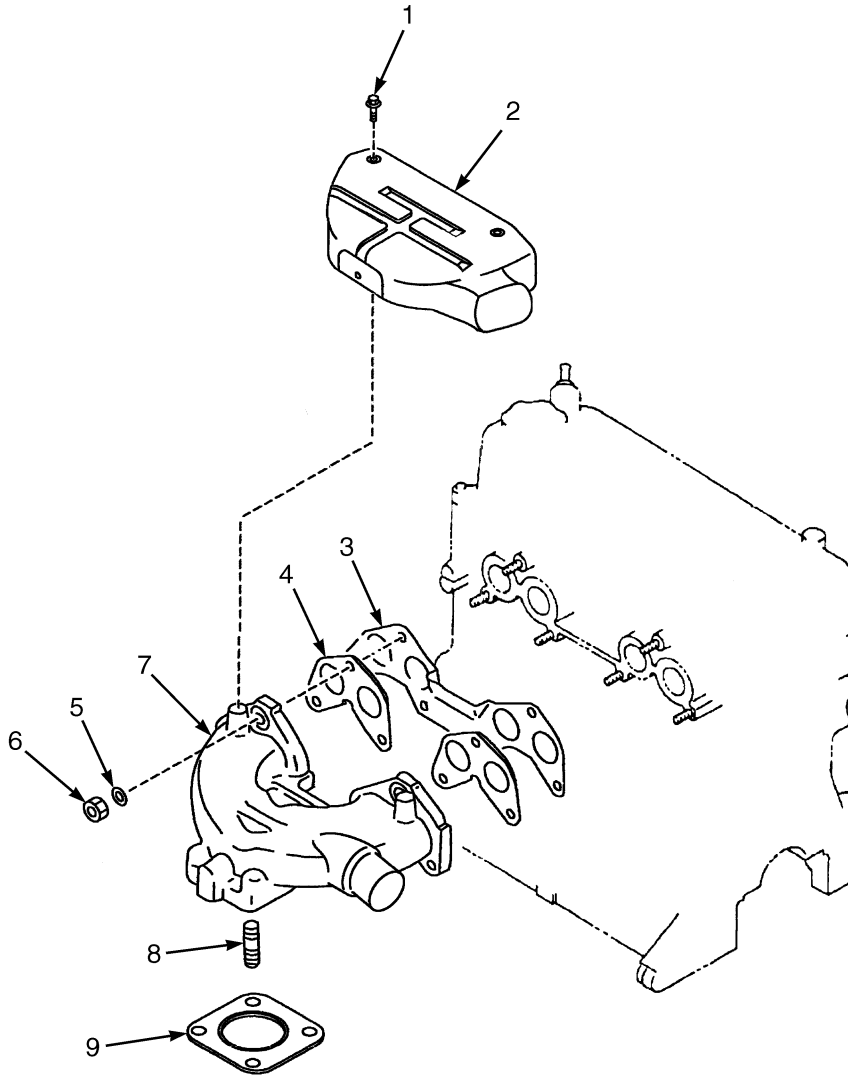


HP091224

**EXHAUST SYSTEM
MAZDA 2.0L AND 2.2L
LPG****KEY:****A: With Catalytic Converter****B: Without Catalytic Converter**

ITEM	PART NO.	DESCRIPTION	QTY	
			A	B
1	2021394	Cover	1	1
2	1534789	Exhaust Pipe	1	1
3	1347045	Fastener.....	1	1
4	1586013	Capscrew.....	1	1
5	320159	Washer	1	1
6	68968	Clamp	2	2
7	1533639	Cover	1	1
8	1533863	Exhaust Pipe	1	1
9	1589312	Exhaust Pipe	1	1
10	1460477	Nut (Flange).....	2	..
11	1532523	Bracket.....	1	..
12	1542670	Exhaust Pipe	1	..
13	1396518	Plug Assembly.....	1	1
14	1509103	Ring (Copper).....	1	1
15	1509104	Plug	1	1
16	1566515	Exhaust Pipe	1
17	1582222	Lock Nut.....	4	4
18	1528937	Gasket	1	1
19	1469405	Nut	2	..
20	292683	Lockwasher.....	2	..
21	1469379	Gasket	1	..
22	1469342	Catalytic Converter	1	..
23	1495502	Bolt	2	..
24	1495501	Bolt	2	..
25	1547712	Gasket	1	..
26	1534174	Exhaust Pipe	1	..
27	1528938	Washer	4	4
28	1528930	Isolator	2	2
29	1532585	Washer	1	1
30	1528934	Spacer	2	2
31	1510115	Capscrew.....	2	2
32	2060957	Muffler.....	1	1

EXHAUST MANIFOLD (Figure 2-8) MAZDA 2.0L AND 2.2L LPG

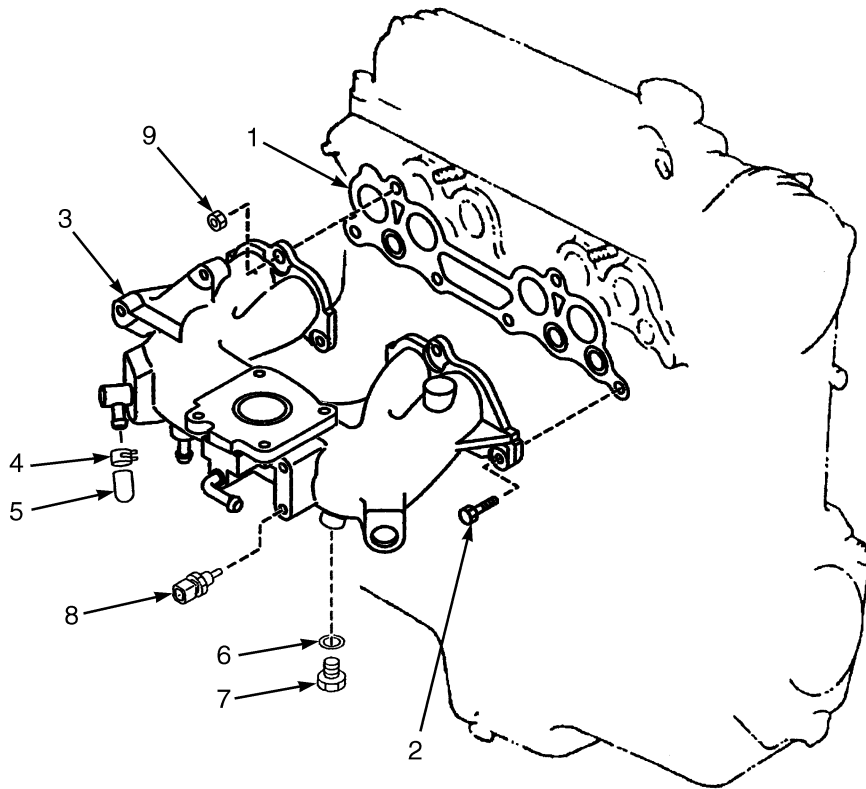


HP091248

**EXHAUST MANIFOLD
MAZDA 2.0L AND 2.2L
LPG**

ITEM	PART NO.	DESCRIPTION	QTY
1	1361898	Bolt	3
2	1370691	Cover	1
3	1361747	Gasket Set	1
4	1370689	Gasket	2
5	1370690	Washer	6
6	1361746	Nut	6
7	1370688	Manifold (Exhaust)	1
8	1361745	Stud	4
9	1338308	Gasket	1

INTAKE MANIFOLD (Figure 2-9) MAZDA 2.0L AND 2.2L LPG

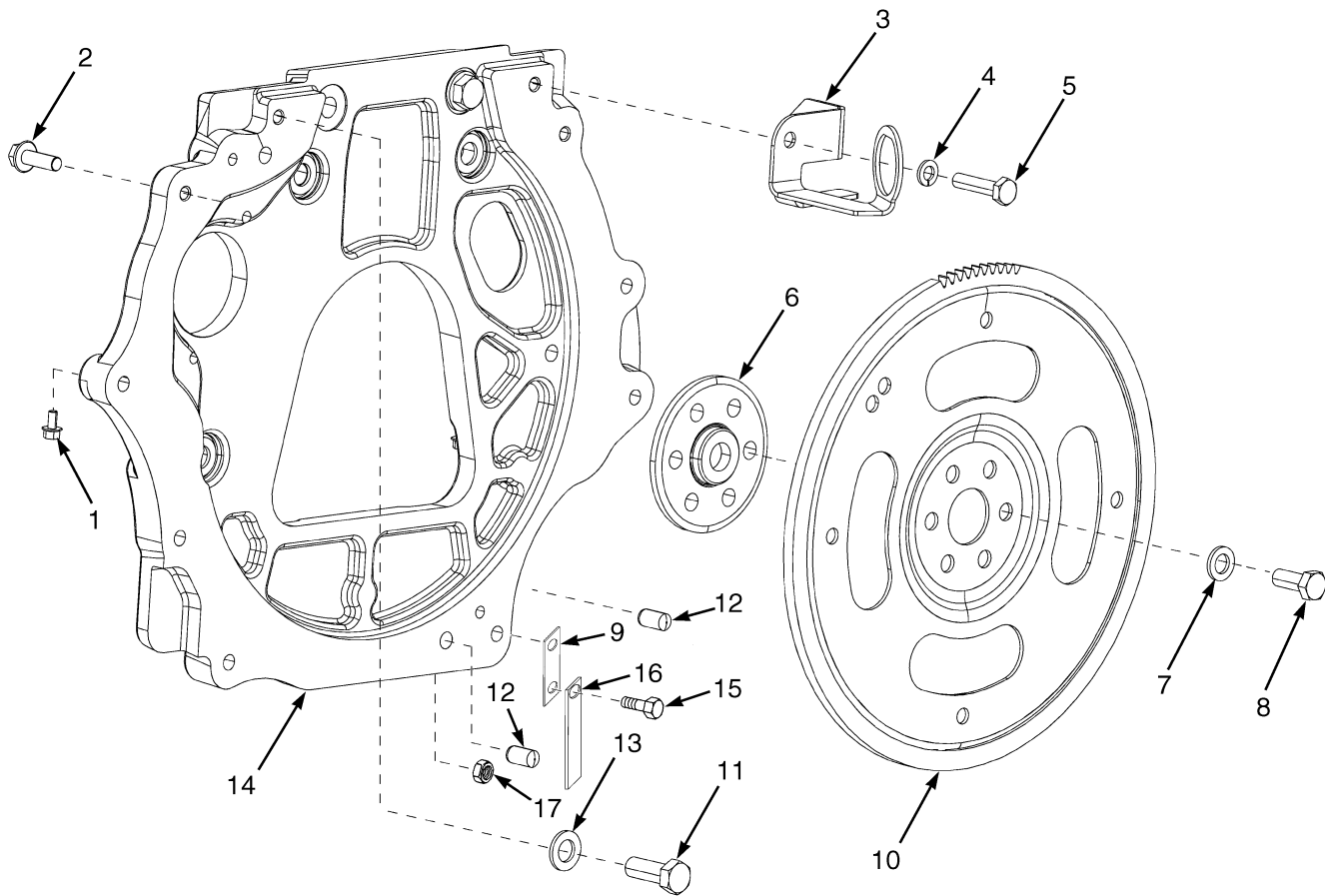


HP091249

**INTAKE MANIFOLD
MAZDA 2.0L AND 2.2L
LPG**

ITEM	PART NO.	DESCRIPTION	QTY
1	1553776	Gasket	1
2	1361885	Bolt	2
3	1573015	Intake Manifold	1
4	1361873	Clamp	1
5	1361741	Cap	1
6	1368743	Washer	1
7	1366902	Bolt	1
8	1539962	Sensor (Air Temperature)	1
9	326504	Nut	4

FLYWHEEL AND HOUSING (Figure 2-10) MAZDA 2.0L AND 2.2L LPG

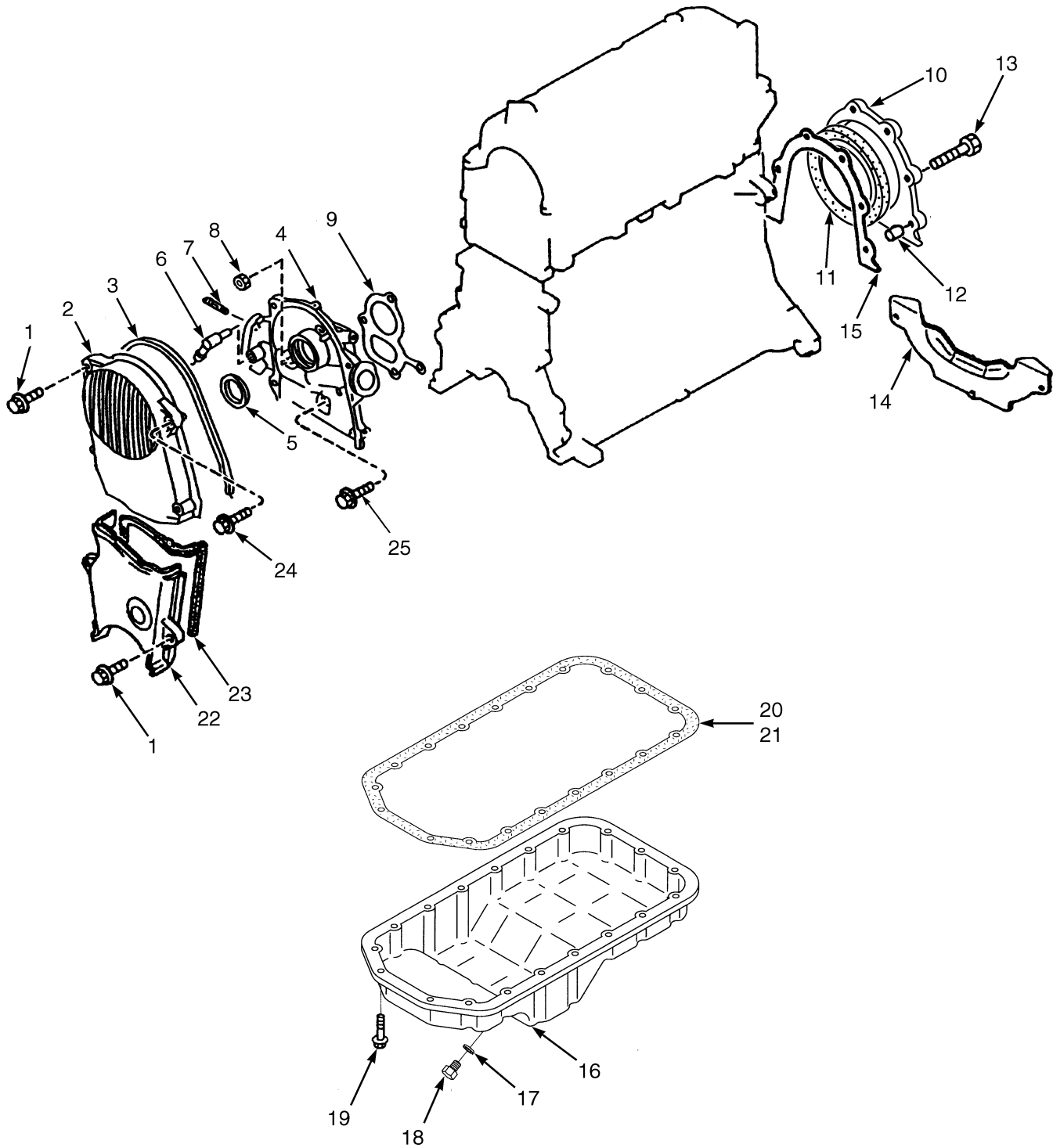


HP091268

**FLYWHEEL AND HOUSING
MAZDA 2.0L AND 2.2L
LPG**

ITEM	PART NO.	DESCRIPTION	QTY
1	1534417	Capscrew.....	3
2	1527884	Capscrew.....	2
3	1551608	Bracket.....	1
4	292682	Lockwasher.....	10
5	292517	Capscrew.....	10
6	1506572	Adapter	1
7	296422	Washer	6
8	1528415	Capscrew.....	6
9	1565832	Bracket.....	1
10	1605467	Flywheel	1
11	2072918	Capscrew.....	6
12	303150	Pin	2
13	296424	Washer	6
14	1553266	Flywheel Housing	1
15	1586013	Capscrew.....	1
16	240072	Static Strap	1
17	1460477	Nut (Flange).....	1

TIMING GEAR COVER AND OIL PAN (Figure 2-11) MAZDA 2.0L AND 2.2L LPG

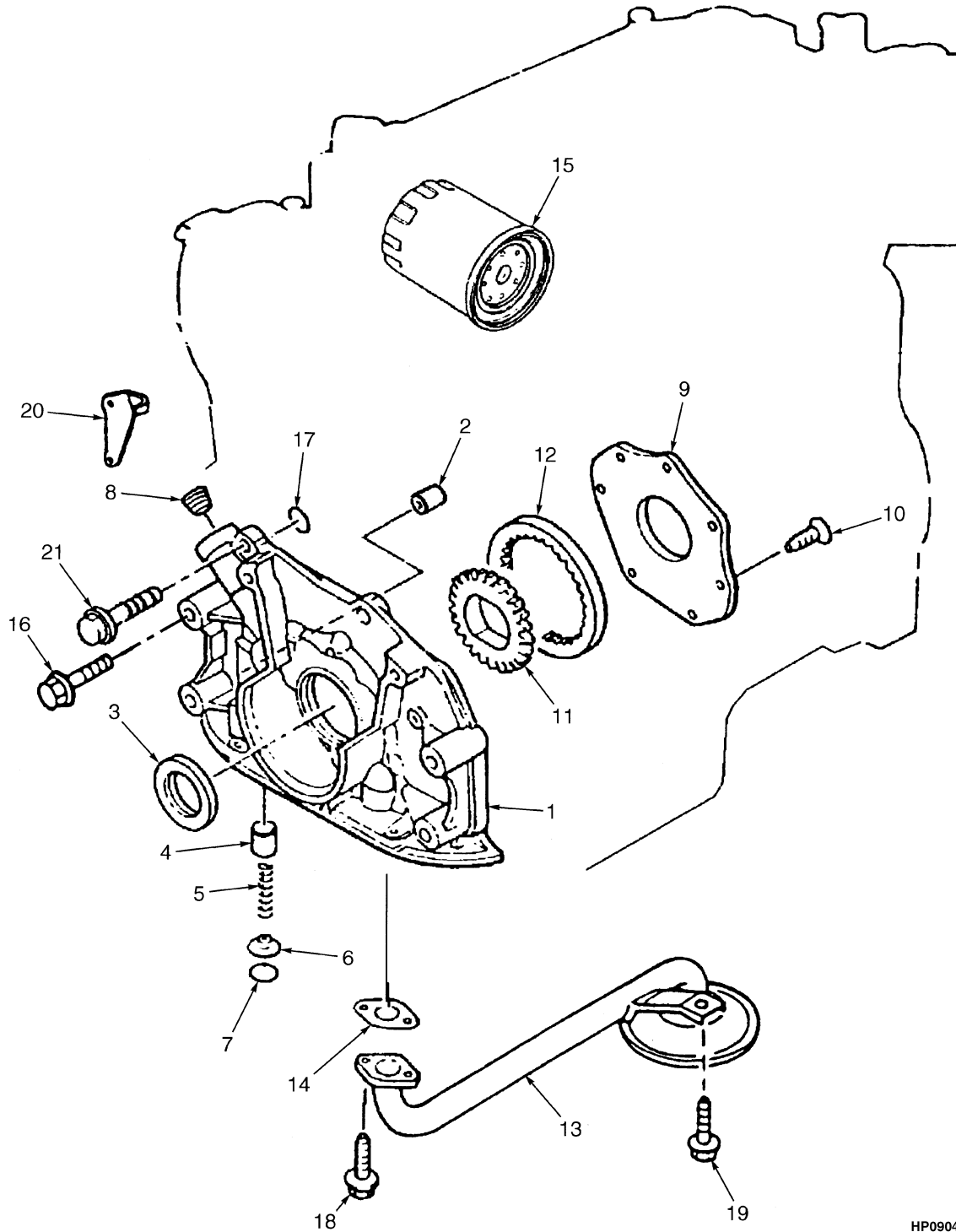


HP091085

**TIMING GEAR COVER AND OIL PAN
MAZDA 2.0L AND 2.2L
LPG**

ITEM	PART NO.	DESCRIPTION	QTY
	1587843	Engine Block (Long) (2.0L, LPG).....	1
	1587845	Engine Block (Long) (2.2L, LPG).....	1
1	1362001	Bolt	5
2	1553716	Cover (Upper Timing Belt) (2.0L)	1
2	2029084	Cover (Upper Timing Belt) (2.2L)	1
3	1553717	Gasket (2.0L)	1
3	2028854	Gasket (2.2L)	1
4	2051129	Housing Assembly (2.2L)	1
4	1553715	Housing Assembly (2.0L)	1
5	1361688	Oil Seal	1
6	1361692	Hose.....	1
7	1362012	Stud.....	2
8	326504	Nut.....	1
9	1361679	Gasket.....	1
10	1361689	Cover Assembly	1
11	1361691	Oil Seal (Rear)	1
12	1362010	Pin.....	2
13	1362011	Bolt	6
14	1371652	Cover.....	1
15	1361690	Gasket	1
16	1361680	Oil Pan Assembly (2.0L).....	1
16	2029082	Oil Pan Assembly (2.2L).....	1
17	1362015	Gasket.....	1
18	1361681	Drain Plug	1
19	1370736	Capscrew	19
20	1361682	Gasket (Oil Pan)	1
21	1370737	Sealant	1
22	2051128	Cover.....	1
23	2028853	Gasket.....	1
24	2029086	Bolt	1
25	1369993	Bolt	2
	2045036	Gasket Kit (Includes Items 3, 5, 9-11, 20, 23)	1

OIL PUMP AND FILTER (Figure 2-12) MAZDA 2.0L AND 2.2L LPG

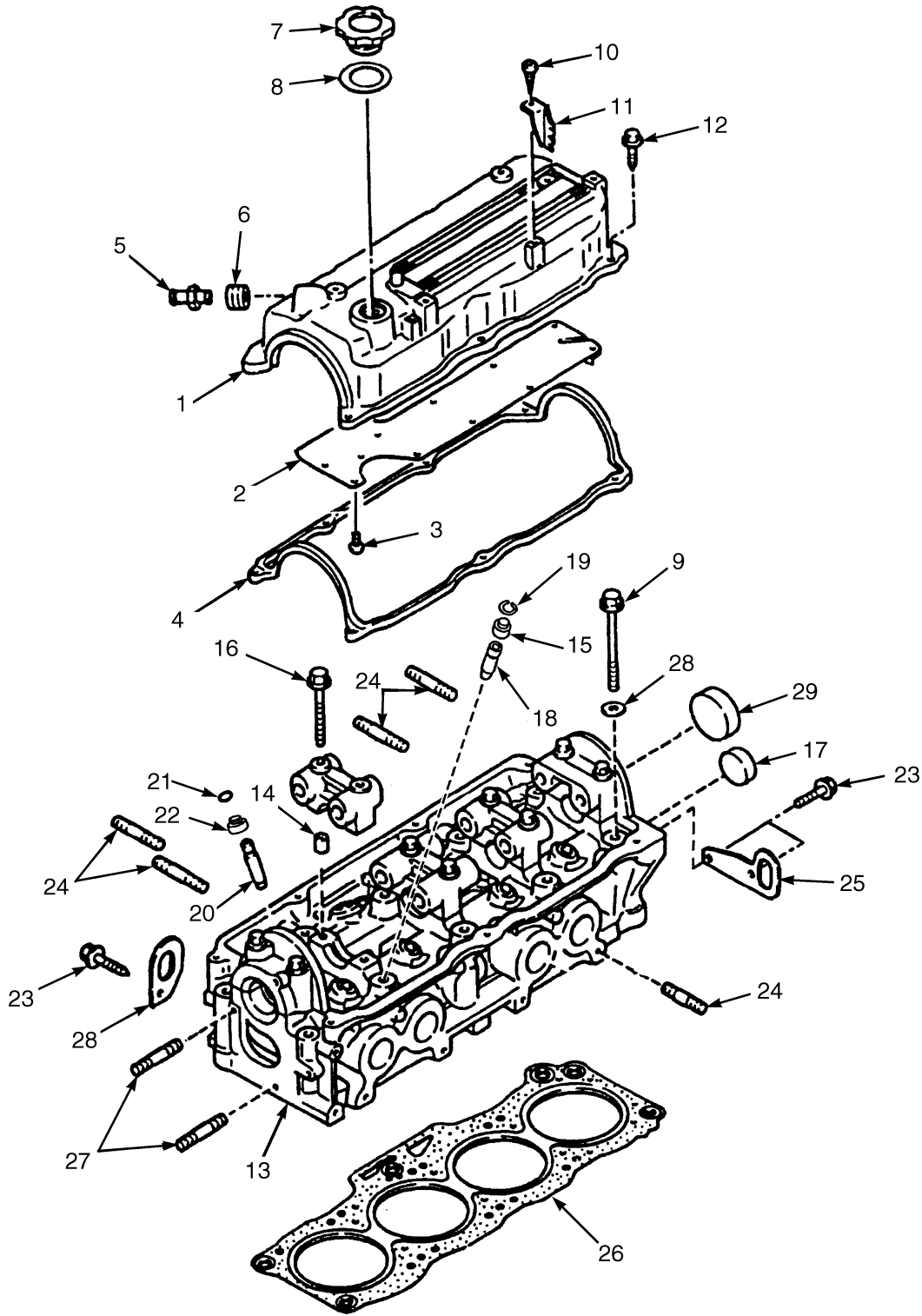


HP090491

OIL PUMP AND FILTER MAZDA 2.0L AND 2.2L LPG

ITEM	PART NO.	DESCRIPTION	QTY
	1587843	Engine Block (Long) (2.0L, LPG).....	1
	1587845	Engine Block (Long) (2.2L, LPG).....	1
1	1455676	Oil Pump.....	1
2	1361798	Pin.....	2
3	1361688	Oil Seal	1
4	1455674	Plunger.....	1
5	326748	Spring.....	1
6	326749	Seat.....	1
7	1361879	Snap Ring	1
8	1495426	Plug.....	1
9	2029100	Cover.....	1
10	1455677	Screw	7
11	2029101	Gear	1
12	2029102	Gear	1
13	1361806	Strainer.....	1
14	1361807	Gasket.....	1
15	333642	Filter	1
16	1553878	Bolt	2
17	1361801	O-Ring	1
18	1361878	Screw	2
19	1361868	Screw	1
20	1495427	Pin (Top Indicator)	1
21	2029103	Bolt	6

CYLINDER HEAD (Figure 2-13) MAZDA 2.0L AND 2.2L LPG

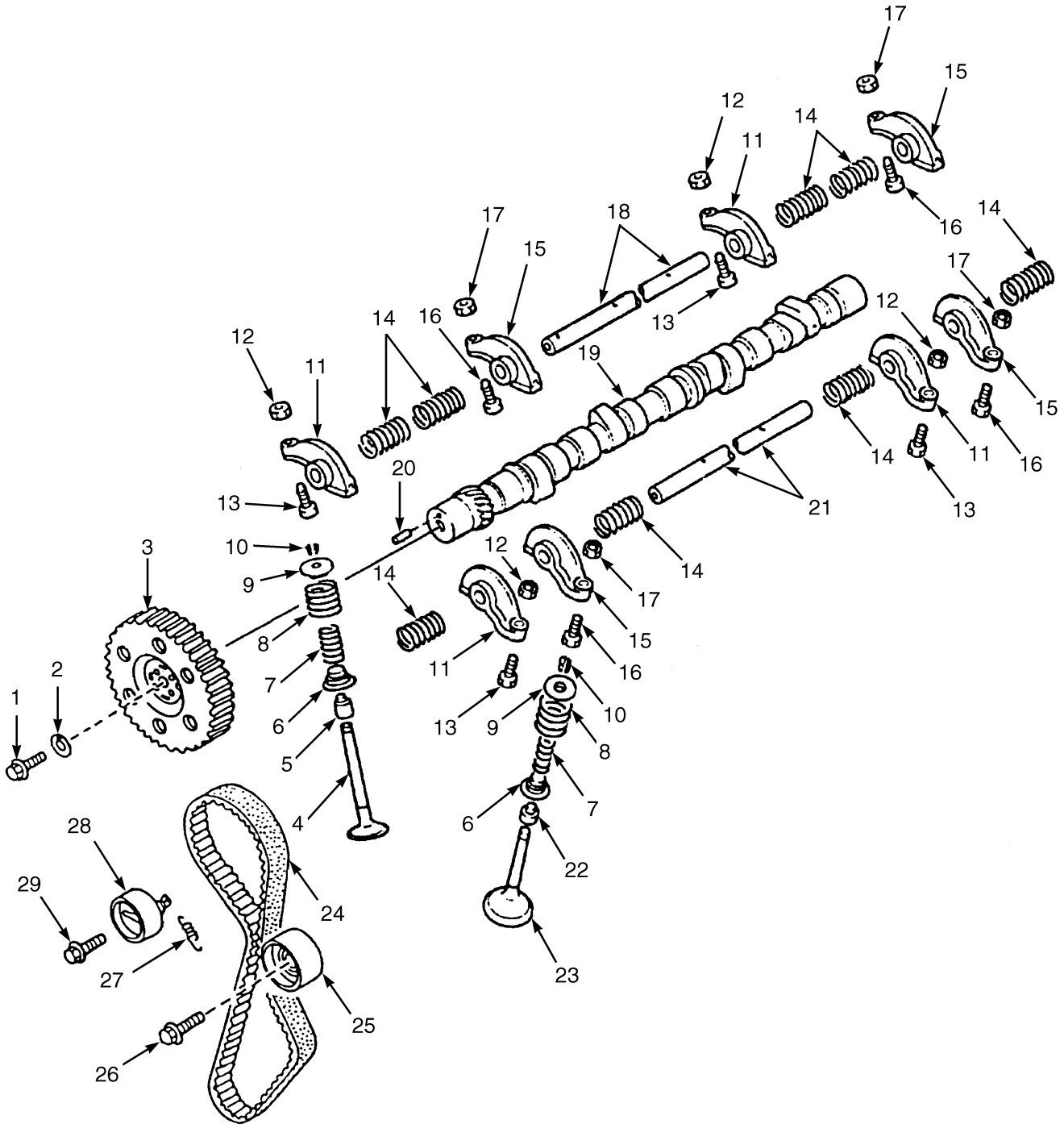


HP000902

**CYLINDER HEAD
MAZDA 2.0L AND 2.2L
LPG**

ITEM	PART NO.	DESCRIPTION	QTY
	1587843	Engine Block (Long) (2.0L, LPG).....	1
	1587845	Engine Block (Long) (2.2L, LPG).....	1
1	1360883	Cover Assembly (LPG).....	1
2	1360884	Plate.....	1
3	2022655	Screw.....	10
4	1360886	Gasket.....	1
5	1360893	Valve (PCV, LPG).....	1
6	1360892	Seal.....	1
7	1360887	Cap (Oil).....	1
8	1360888	Gasket.....	1
9	1360880	Bolt.....	10
10	1362000	Screw.....	2
11	1360885	Cord Protector.....	2
12	1362001	Bolt.....	7
13	1360878	Cylinder Head.....	1
14	1362002	Pin.....	10
15	1361719	Seal (Exhaust Valve).....	4
16	1361894	Bolt.....	10
17	1362003	Plug.....	1
18	1360895	Valve Guide Assembly.....	4
19	1360879	Clip.....	1
20	1360895	Valve Guide Assembly.....	4
21	1360879	Clip.....	4
22	1361718	Seal (Inlet Valve).....	4
23	1361898	Bolt.....	2
24	1361897	Stud.....	20
25	2314973	Hanger.....	1
26	2045321	Gasket (Cylinder Head).....	1
27	1361899	Stud.....	2
28	1360881	Washer.....	10
29	1360882	Cap.....	1

CAMSHAFT AND VALVES (Figure 2-14) MAZDA 2.0L AND 2.2L LPG



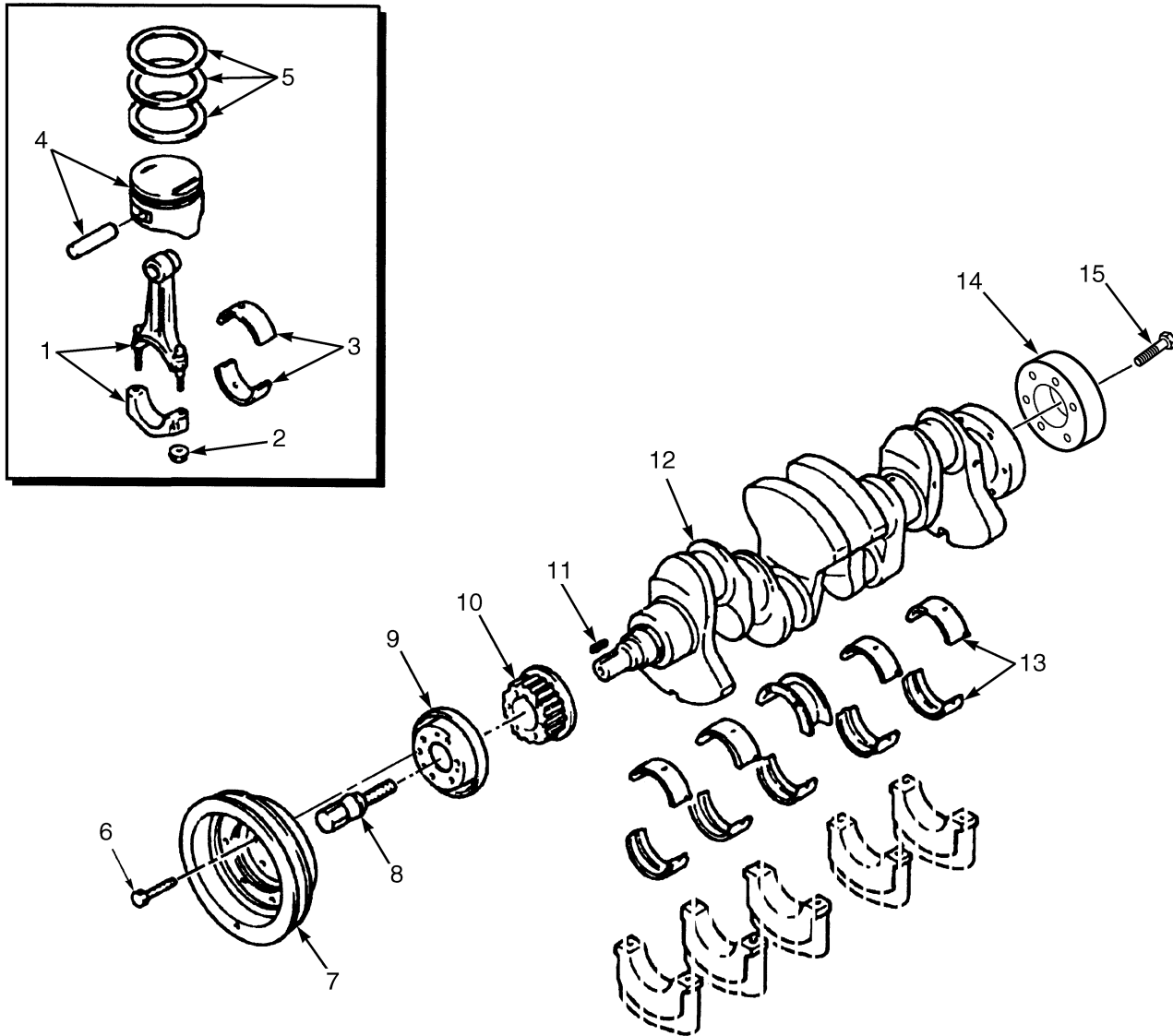
HP091086

CAMSHAFT AND VALVES

MAZDA 2.0L AND 2.2L LPG

ITEM	PART NO.	DESCRIPTION	QTY
	1587843	Engine Block (Long) (2.0L, LPG).....	1
	1587845	Engine Block (Long) (2.2L, LPG).....	1
1	1361736	Bolt	1
2	1361737	Washer	1
3	2029095	Pulley (Camshaft).....	1
4	1361720	Valve (Intake).....	4
5	1361718	Seal	4
6	1361724	Seat.....	8
7	1361723	Spring.....	8
8	1361722	Spring.....	8
9	1361721	Valve Seat	8
10	326612	Keeper.....	16
11	1361726	Rocker Arm	4
12	1361728	Nut	4
13	1361727	Screw	4
14	1361731	Spring.....	8
15	1361729	Rocker Arm	4
16	1361727	Screw	4
17	1361728	Nut	4
18	1361730	Shaft.....	1
19	1361734	Camshaft.....	1
20	1361717	Pin.....	1
21	1361732	Shaft.....	1
22	1361719	Seal	4
23	1361725	Valve (Exhaust)	4
24	1553762	Timing Belt (2.0L)	1
24	2028852	Timing Belt (2.2L)	1
25	2029098	Idler	1
26	1361884	Bolt	1
27	1553763	Spring (2.0L)	1
27	2029096	Spring (2.2L)	1
28	2029097	Belt Tensioner.....	1
29	1362016	Bolt	1

CRANKSHAFT AND PISTONS (Figure 2-15) MAZDA 2.0L AND 2.2L LPG



HP090487

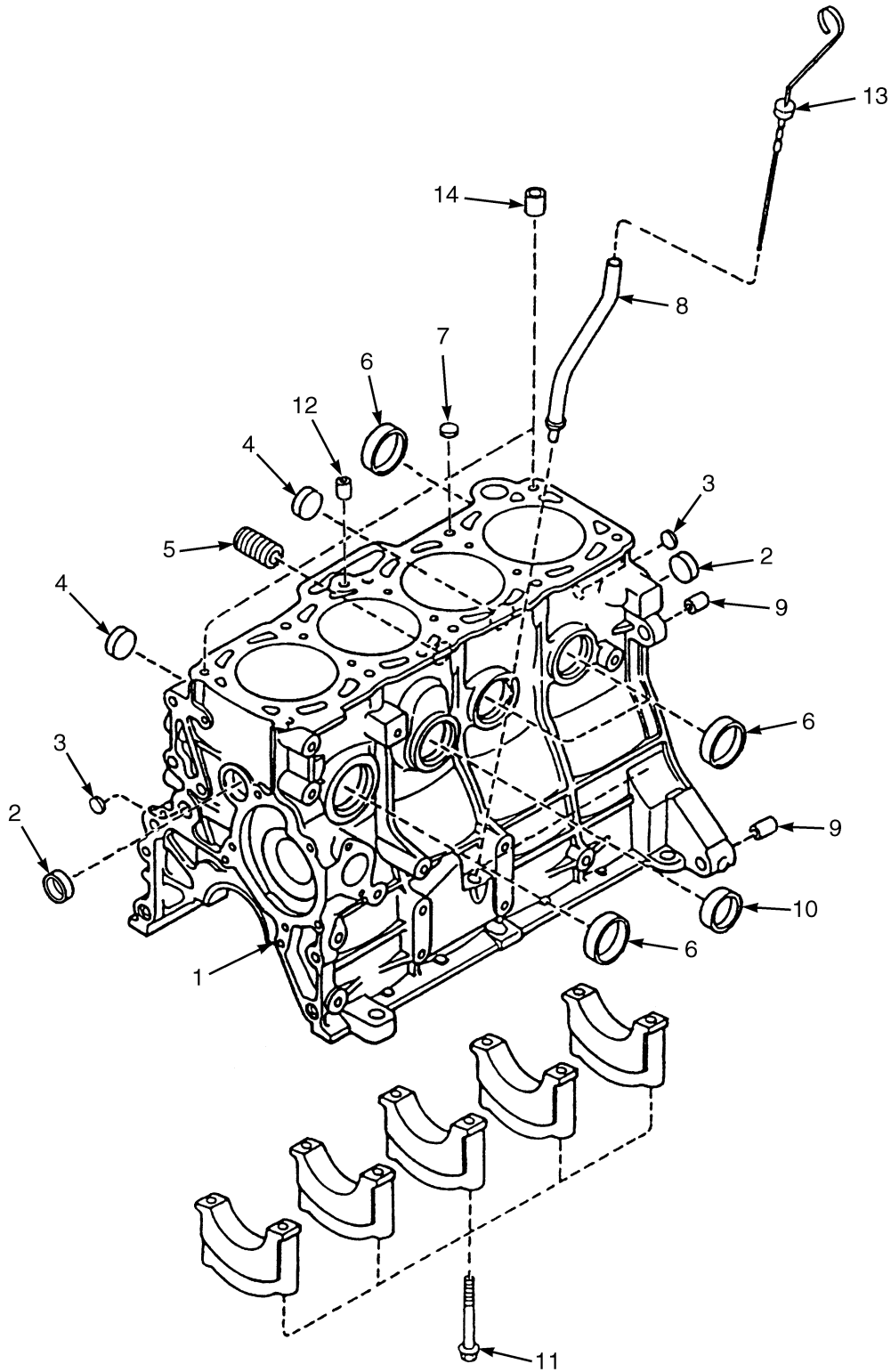
CRANKSHAFT AND PISTONS

MAZDA 2.0L AND 2.2L LPG

KEY:**A: Mazda 2.0L LPG Engine****B: Mazda 2.2L LPG Engine**

ITEM	PART NO.	DESCRIPTION	QTY	
			A	B
	1587843	Engine Block (Long) (2.0L, LPG).....	1	..
	1587845	Engine Block (Long) (2.2L, LPG).....	..	1
1	1361694	Piston Rod Assembly	4	..
1	1370746	Piston Rod Assembly	4
2	1361695	Nut	2	2
3	1361703	Bearing Set (Standard)	1	1
3	1361704	Bearing Set (0.25 mm).....	1	1
3	1361705	Bearing Set (0.50 mm).....	1	1
3	1361706	Bearing Set (0.75 mm).....	1	1
4	1572593	Piston (Standard)	4	..
4	1572597	Piston (0.25 mm).....	4	..
4	1572595	Piston (0.50 mm).....	4	..
4	1572594	Piston (Standard)	4
4	1572596	Piston (0.25 mm).....	..	4
4	1572598	Piston (0.50 mm).....	..	4
5	1495473	Piston Ring Set (Standard).....	1	1
5	1495475	Piston Ring Set (0.25 mm).....	1	1
5	1495474	Piston Ring Set (0.50 mm).....	1	1
6	1361700	Bolt	6	6
7	1495472	Pulley.....	1	1
8	1361701	Bolt	1	1
9	2045033	Plate	1	1
10	2045030	Pulley.....	1	1
11	1361697	Key	1	1
12	1361696	Crankshaft.....	1	..
12	2045029	Crankshaft.....	..	1
13	1361710	Bearing Set (Standard)	1	1
13	1361713	Bearing Set (0.25 mm).....	1	1
13	1361711	Bearing Set (0.50 mm).....	1	1
13	1361712	Bearing Set (0.75 mm).....	1	1
14	2021442	Back Plate	1	1
15	2021438	Bolt	1	1

CYLINDER BLOCK (Figure 2-16) MAZDA 2.0L AND 2.2L LPG



HP091247

**CYLINDER BLOCK
MAZDA 2.0L AND 2.2L
LPG**

ITEM	PART NO.	DESCRIPTION	QTY
	1587843	Engine Block (Long) (2.0L, LPG).....	1
	1587845	Engine Block (Long) (2.2L, LPG).....	1
	1572387	Engine Block (Short) (2.0L, LPG).....	1
	1572388	Engine Block (Short) (2.2L, LPG).....	1
1	1553710	Cylinder Block (2.0L).....	1
1	1370744	Cylinder Block (2.2L).....	1
2	1362009	Plug.....	2
3	1361675	Plug.....	2
4	1362005	Plug.....	2
5	1360898	Joint.....	1
6	1362003	Plug.....	4
7	2028927	Plug.....	1
8	1360899	Pipe.....	1
9	1362008	Pin.....	2
10	1362007	Plug.....	2
11	1361676	Bolt.....	10
12	2029081	Plug.....	1
13	1361677	Dipstick.....	1
14	1360896	Pin.....	2

WATER PUMP MAZDA 2.0L AND 2.2L LPG

ITEM	PART NO.	DESCRIPTION	QTY
	1587843	Engine Block (Long) (2.0L, LPG).....	1
	1587845	Engine Block (Long) (2.2L, LPG).....	1
1	293619	Capscrew	4
2	1375642	Fan	1
3	1573179	Pulley (Fan)	1
4	296418	Washer	4
5	1528140	Spacer	1
6	1573176	Bracket Assembly	1
7	2029116	Shaft.....	1
8	2045026	Screw	3
9	2045025	Clip.....	1
10	1361813	Hub	1
11	1495428	Thermostat.....	1
12	1367191	Gasket	1
13	1361821	Cover.....	1
14	1361898	Bolt	1
15	1361873	Clamp.....	4
16	1361825	Hose (LPG)	1
17	2045024	Pipe (2.2L).....	1
17	1553943	Pipe (2.0L).....	1
18	1361826	Clip.....	1
19	1361886	Clamp.....	1
20	1361873	Clamp.....	1
21	a 1361836	Cap	1
22	2029108	Hose.....	1
23	2029112	Pipe (Intake).....	1
24	2029120	Gasket (Intake).....	1
25	2028644	Pump Assembly	1
26	2028645	Gasket.....	1
27	Baffle.....	1
28	Seal.....	1
29	Seal.....	1
30	Stud.....	1
31	Seal (Upper).....	1
32	Seal (Lower).....	1
33	Impeller.....	1
34	Pulley.....	1
35	Shaft.....	1
36	326608	Bolt	2
37	2045026	Screw	3
38	1369914	Bolt	5
39	1361827	O-Ring	1
40	1361875	Capscrew	2
41	326504	Nut.....	2
42	2029108	Hose.....	1

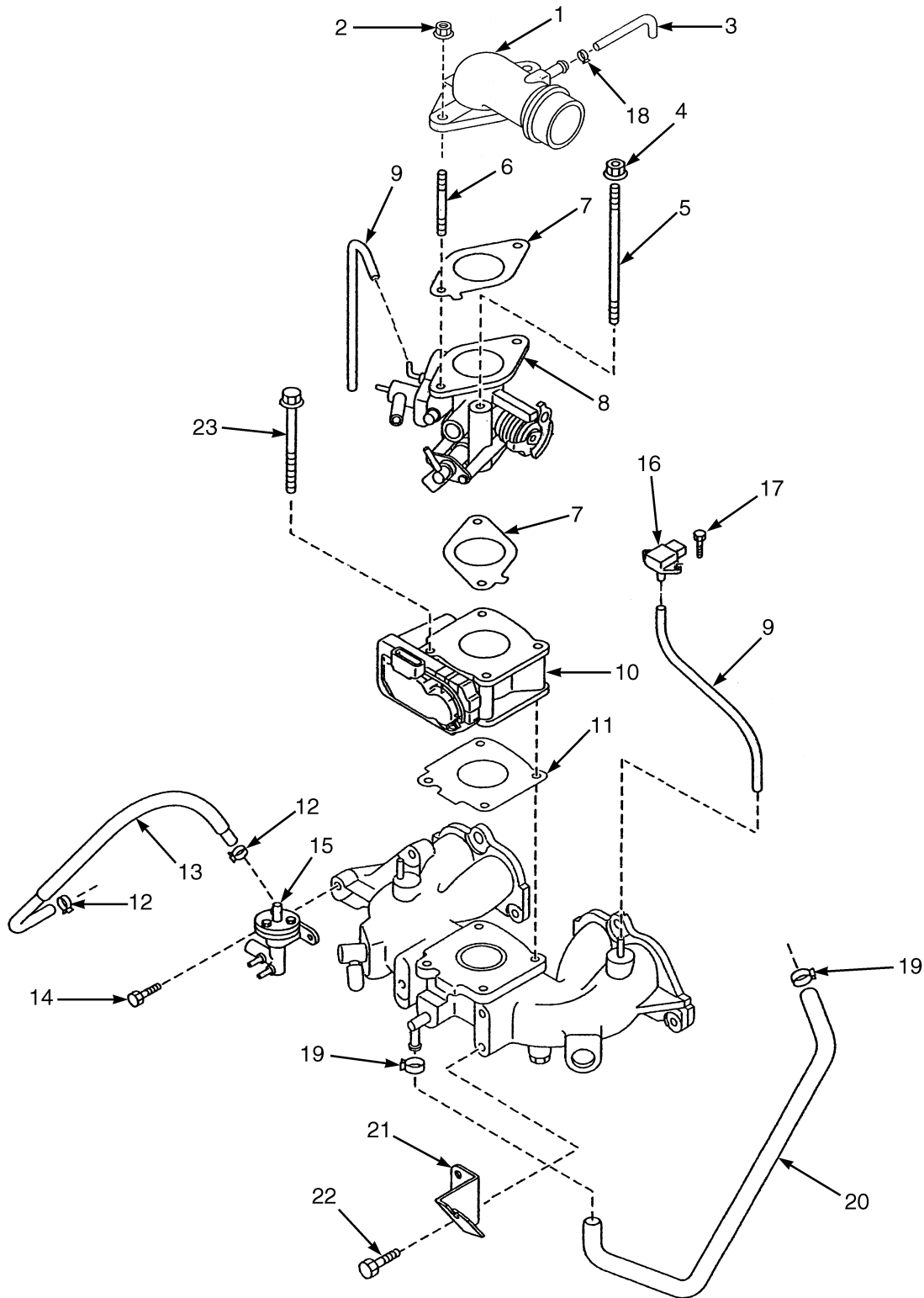
WATER PUMP MAZDA 2.0L AND 2.2L LPG

ITEM	PART NO.	DESCRIPTION	QTY
43	1361823	Pipe (Water Bypass)	1
	2045036	Gasket Kit (Includes Items 24, 26)	1

FOOTNOTES:

a Not Illustrated

EMISSIONS LINES (Figure 2-18) MAZDA 2.0L AND 2.2L LPG

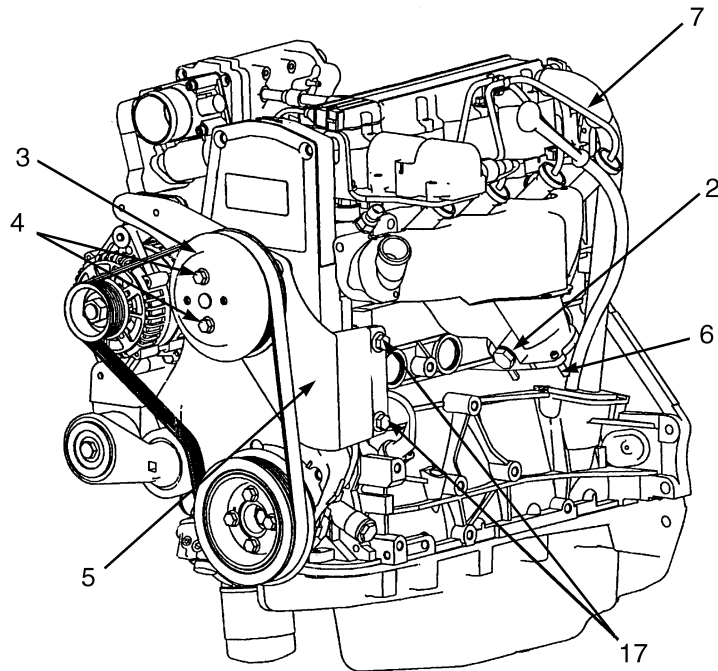
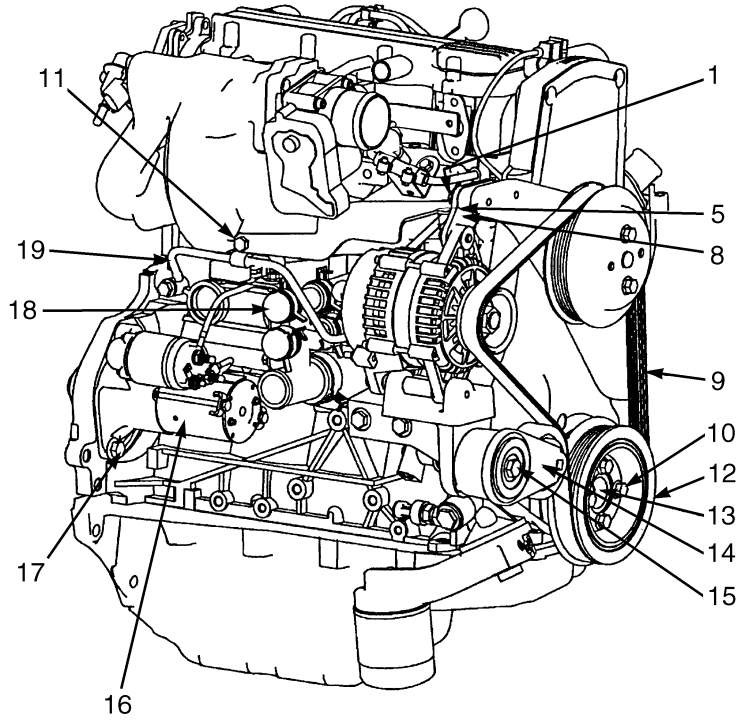


HP000900

**EMISSIONS LINES
MAZDA 2.0L AND 2.2L
LPG**

ITEM	PART NO.	DESCRIPTION	QTY
1	1573118	Air Funnel	1
2	2066629	Nut	2
3	1573562	Hose (Ventilation)	1
4	326504	Nut	2
5	1582323	Stud	2
6	1553774	Stud	2
7	1573117	Gasket	2
8	1573119	Carburetor.....	1
9	1495413	Hose	1
10	1553838	Governor.....	1
11	1361756	Gasket	1
12	1553799	Clamp	2
13	1573120	Hose (Fuel).....	1
14	1361878	Screw.....	2
15	1581048	Fuel Filter Assembly	1
15	1583593	Cover Set	1
15	1581051	Screw Set.....	1
15	1581050	Screw	3
15	1581052	Fuel Filter Set (With O-Ring)	1
15	1581049	Spring.....	1
16	1548352	Sensor	1
17	1582324	Screw.....	2
18	1361871	Clamp	1
19	1366933	Clamp	2
20	1573564	Hose (PCV)	1
21	1573021	Bracket (Throttle).....	1
22	1361898	Bolt	2
23	1582321	Bolt	2

ASSEMBLED ENGINE (Figure 2-19) GM 2.4L, LPG SHEET 1 OF 4

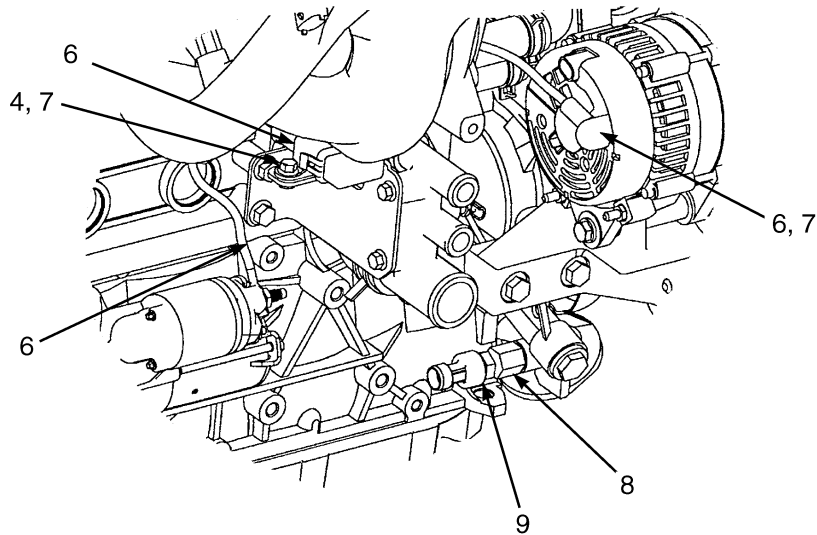
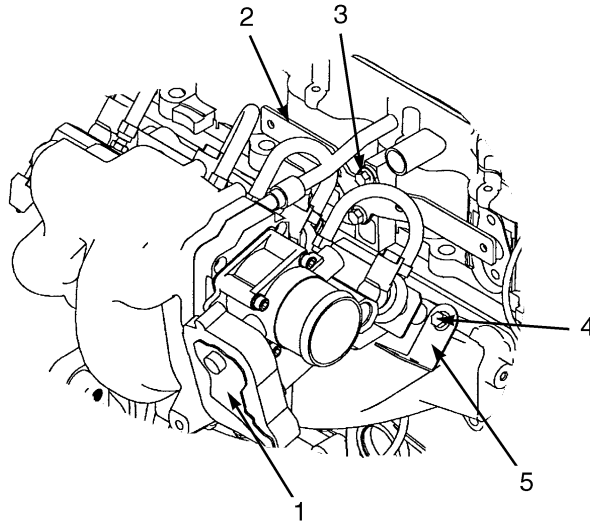


HP091257

ASSEMBLED ENGINE
GM 2.4L, LPG
SHEET 1 OF 4

ITEM	PART NO.	DESCRIPTION	QTY
	1501695	Engine Assembly (GM 2.4L).....	1
1	1500113	Capscrew	3
2	1396518	Plug Assembly.....	1
2	1509103	Ring (Copper)	1
2	1509104	Plug.....	1
3	2067888	Pulley (Fan)	1
4	1527879	Capscrew	2
5	1534013	Fan Mount Assembly.....	1
5	1542675	Bracket.....	1
5	1542676	Bearing.....	1
5	1542677	Hub	1
6	1534417	Capscrew	3
7	2067623	Wire Harness (Spark Plug)	1
8	1547984	Bracket	1
9	2067889	Belt (Micro-V)	1
10	1527881	Capscrew	4
11	1529366	Capscrew	1
12	1580792	Pulley (Crankshaft).....	1
13	1531254	Spacer (Pulley).....	1
14	2067631	Tensioner.....	1
15	292521	Capscrew	1
16	1548620	Starter	1
16	1551845	Solenoid	1
17	1586013	Capscrew	3
18	1532513	Cap.....	2
19	1501997	Clamp.....	2

ASSEMBLED ENGINE (Figure 2-20) GM 2.4L, LPG SHEET 2 OF 4

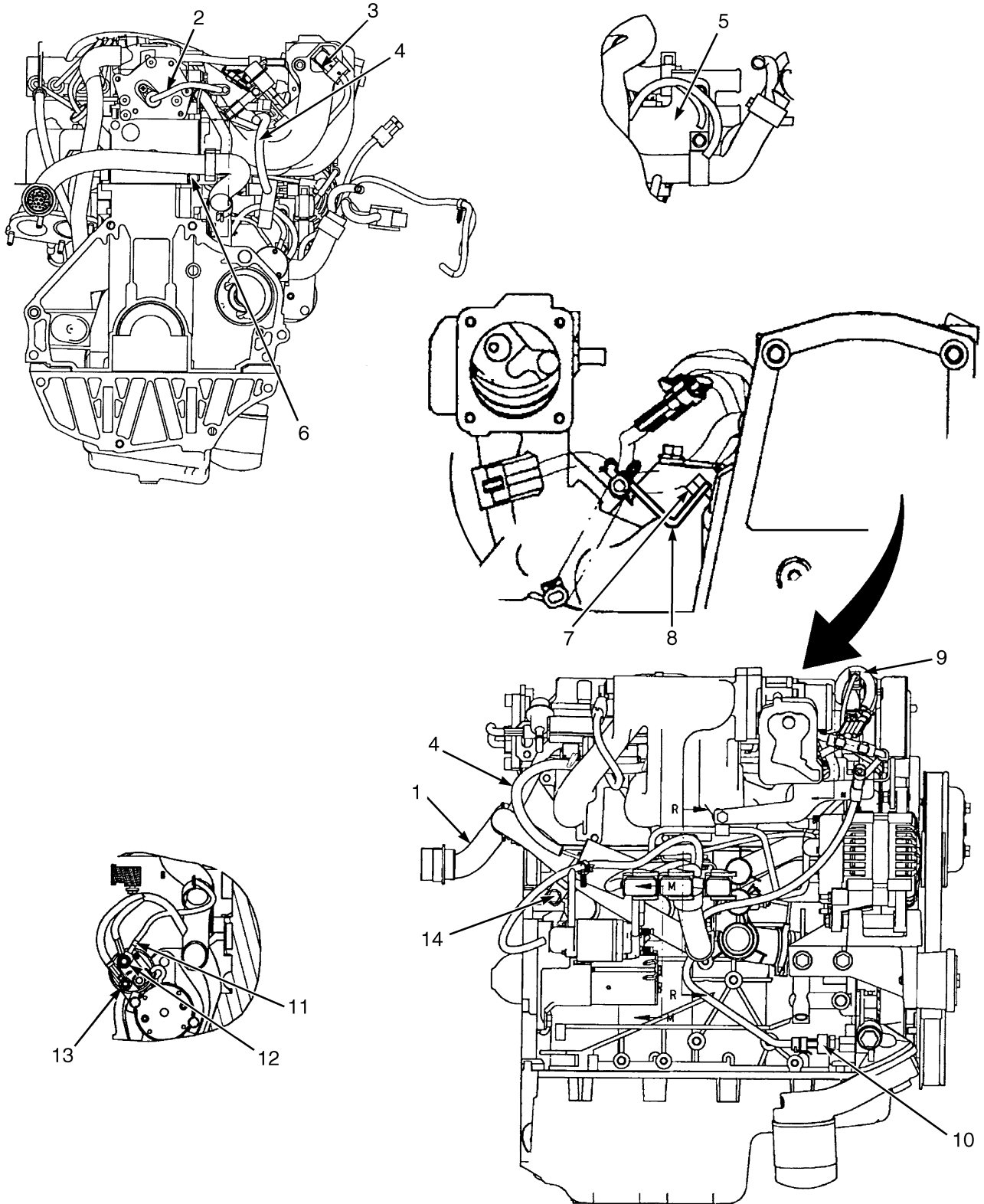


HP091258

**ASSEMBLED ENGINE
GM 2.4L, LPG
SHEET 2 OF 4**

ITEM	PART NO.	DESCRIPTION	QTY
	1501695	Engine Assembly (GM 2.4L).....	1
1	2067622	Fuel System (LPG).....	1
2	2056355	Bracket	1
3	1527876	Capscrew	2
4	1534417	Capscrew	3
5	1569776	Bracket	1
6	2057865	Fused Wire Harness (Alternator, Starter).....	1
6	1454829	Fuse (60 Amp)	1
6	1454862	Cover (With Seal).....	1
6	148614	Terminal	1
6	148615	Terminal	1
6	1520543	Terminal	2
6	1543553	Fuse Holder	1
6	1566146	Boot.....	1
6	1454827	Seal.....	2
7	1514429	Nut (Flange)	5
8	1585083	Adapter.....	1
8	1585084	O-Ring	1
8	1585085	Retainer Ring	1
9	1566654	Sensor (Oil Pressure).....	1

ASSEMBLED ENGINE (Figure 2-21) GM 2.4L, LPG SHEET 3 OF 4

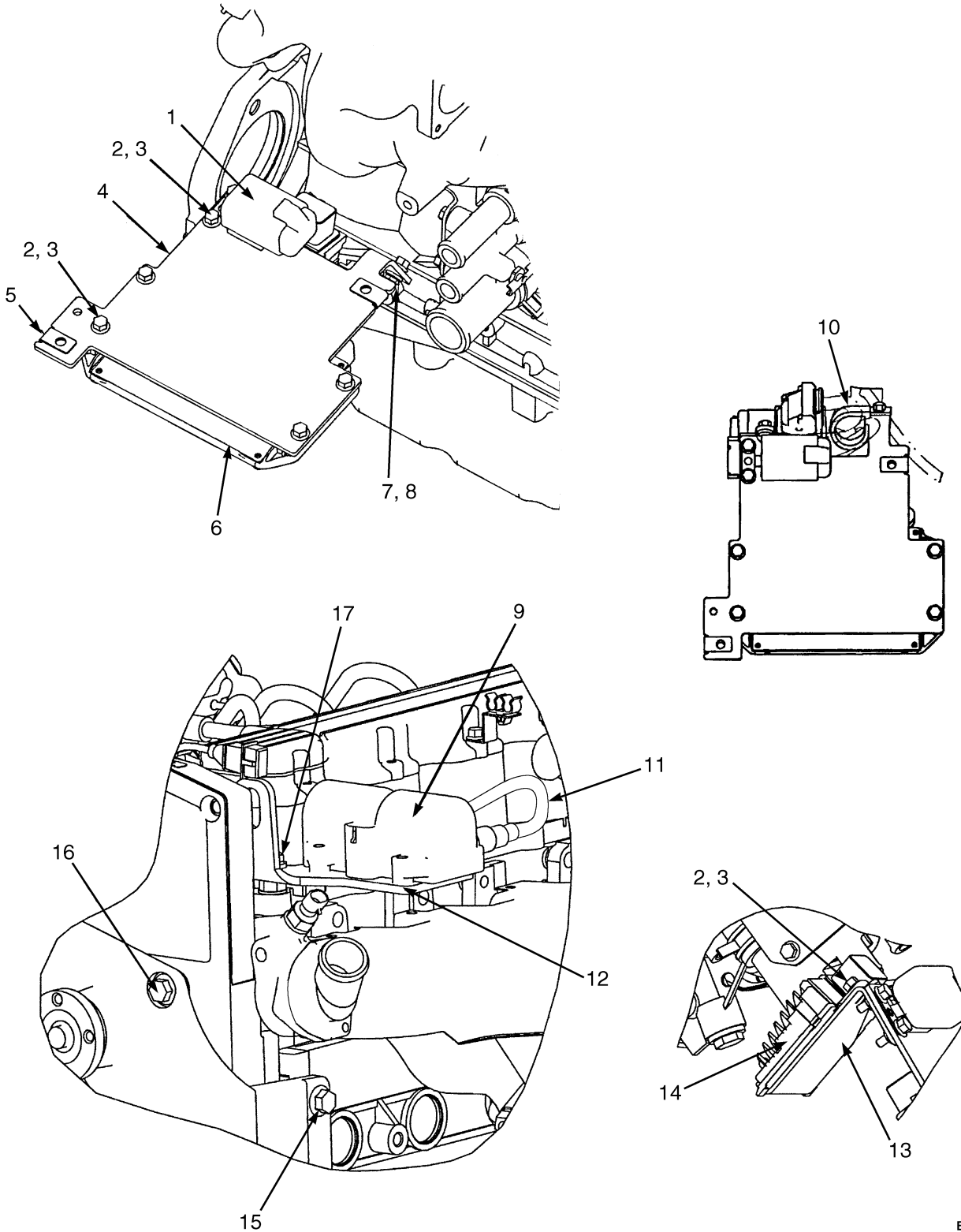


HP091259

**ASSEMBLED ENGINE
GM 2.4L, LPG
SHEET 3 OF 4**

ITEM	PART NO.	DESCRIPTION	QTY
	1501695	Engine Assembly (GM 2.4L).....	1
1	2053099	Wire Harness (Engine) (☞ Figure 4-20)	1
2	1564587	Sensor (Camshaft Position).....	1
3	1584472	MAP Sensor	1
4	1554838	Wire Harness (Injector)	1
5	2055232	Bracket	1
6	1527879	Capscrew	2
7	1534417	Capscrew	3
8	1569776	Bracket	1
9	2068357	Wire Harness (Ignition Coil)	1
10	1524031	Sensor (Oil Pressure).....	1
11	2057865	Fused Wire Harness (Alternator, Starter).....	1
11	148614	Terminal	1
11	148615	Terminal	1
11	1566146	Boot.....	1
11	1543553	Fuse Holder	1
11	1454829	Fuse (60 Amp)	1
11	1454862	Cover (With Seal).....	1
11	1454827	Seal.....	2
11	1520543	Terminal	1
12	329069	Nut.....	1
13	1514429	Nut (Flange)	5
14	1527879	Capscrew	2

ASSEMBLED ENGINE (Figure 2-22) GM 2.4L, LPG SHEET 4 OF 4

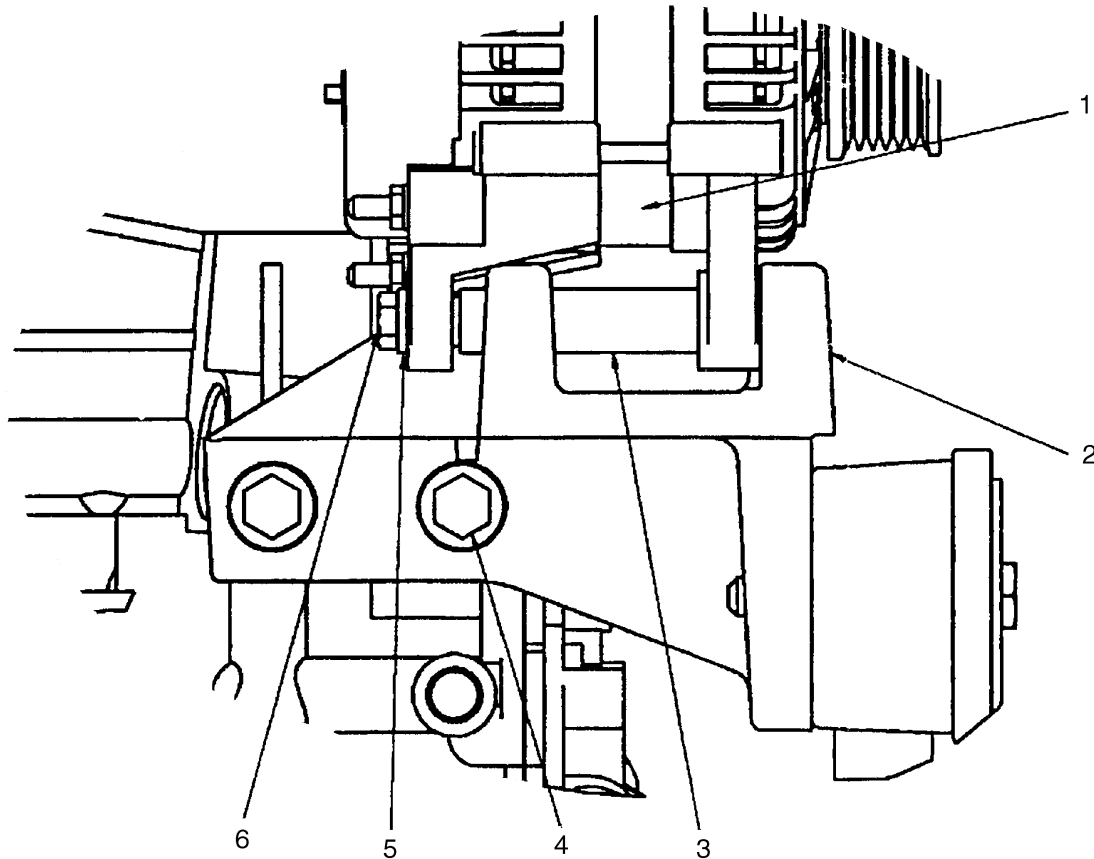


BP090150

**ASSEMBLED ENGINE
GM 2.4L, LPG
SHEET 4 OF 4**

ITEM	PART NO.	DESCRIPTION	QTY
	1501695	Engine Assembly (GM 2.4L).....	1
1	1330301	Relay (Fuel Pump)	1
2	1527877	Capscrew	7
3	1514429	Nut (Flange)	6
4	1582162	Bracket	1
5	1480237	Clip Nut.....	2
6	2077554	Engine Control Unit	1
7	1527877	Capscrew	1
8	1514429	Nut (Flange)	1
9	1584523	Ignition Coil.....	1
10	Clamp (Supplied With Engine)	1
11	2067623	Wire Harness (Spark Plug)	1
12	1536719	Bracket (Coil).....	1
13	1582163	Bracket	1
14	2059248	Module (Injector Drive).....	1
15	1586013	Capscrew	2
16	1527885	Capscrew	1
17	1460477	Nut (Flange)	2

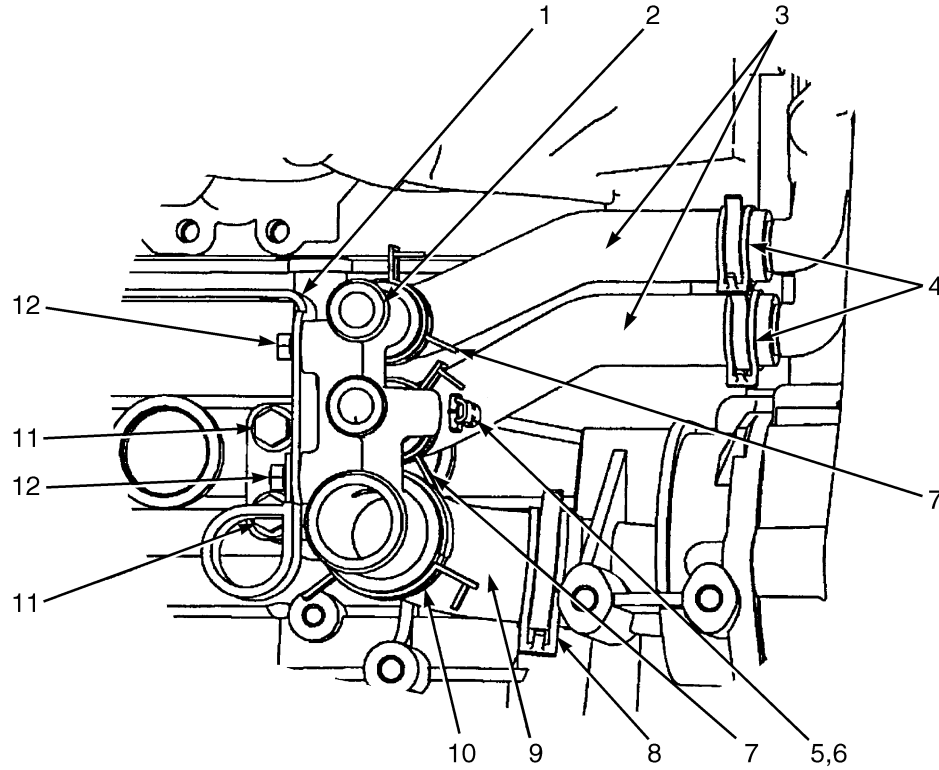
ALTERNATOR AND MOUNTING (Figure 2-23) GM 2.4L LPG



BP090151

ITEM	PART NO.	DESCRIPTION	QTY
1	1534017	Alternator	1
2	1554816	Bracket.....	1
3	1554814	Spacer	1
4	1527892	Capscrew.....	4
5	320157	Washer	1
6	1307994	Capscrew.....	1

COOLING MANIFOLD AND ATTACHING PARTS (Figure 2-24)
GM 2.4L
LPG



BP090152

ITEM	PART NO.	DESCRIPTION	QTY
1	2055232	Bracket	1
2	1554921	Manifold	1
3	2056732	Hose (Coolant)	2
4	1502009	Clamp	2
5	15329	Valve	1
6	246108	Sealant	AR
7	1501997	Clamp	2
8	1527982	Clamp	1
9	2055298	Hose (Radiator)	1
10	1502001	Clamp	1
11	1527879	Capscrew	2
12	1534417	Capscrew	2

COOLING SYSTEM

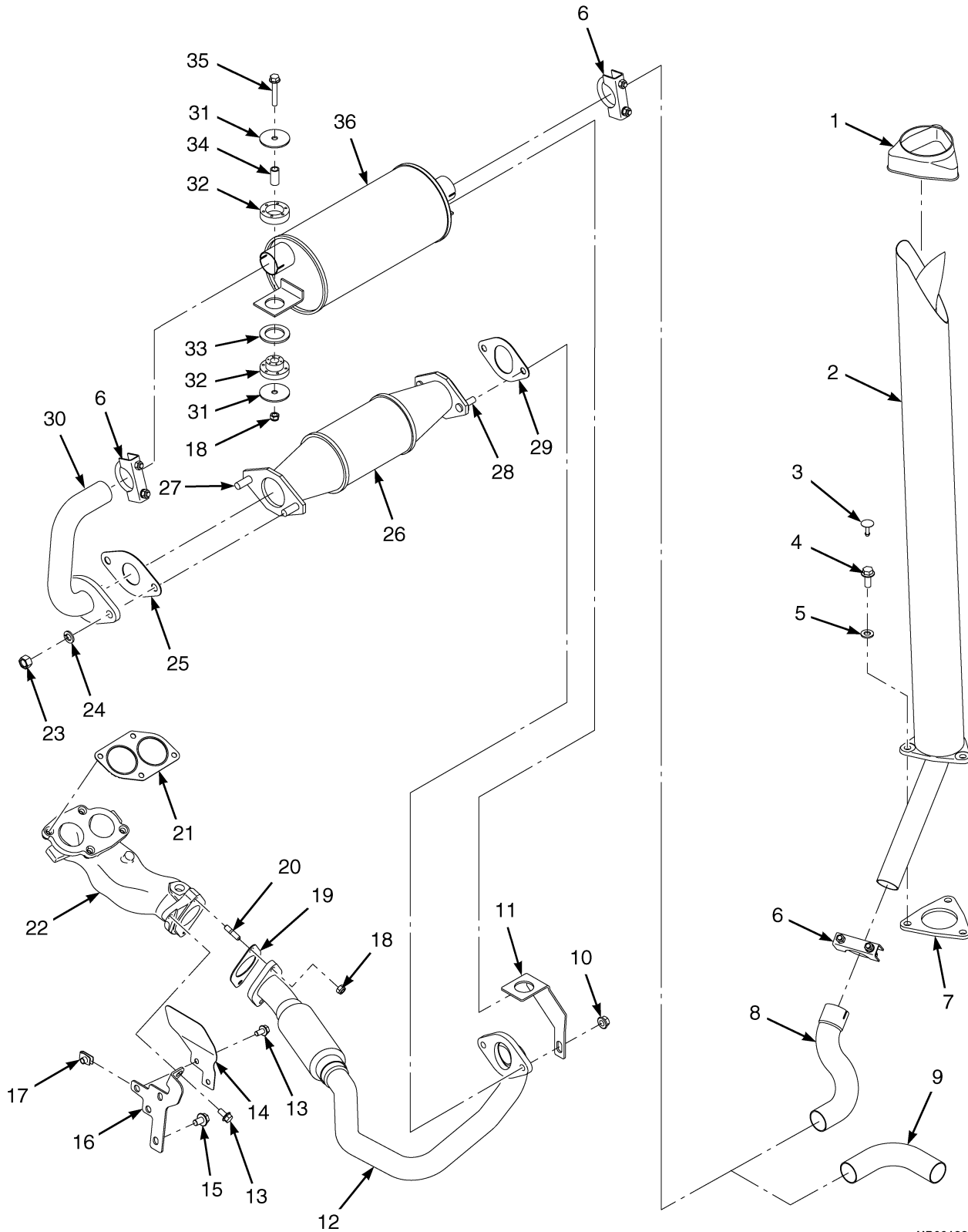
GM 2.4L, LPG, SQUARE WAVE RADIATOR

ITEM	PART NO.	DESCRIPTION	QTY
1	2074790	Radiator Assembly.....	1
1	1590972	Radiator.....	1
1	1590918	Oil Cooler.....	1
1	1597765	Washer.....	4
1	1597766	Screw.....	4
2	1352140	Cap.....	1
3	2069685	Hose (Upper).....	1
4	2069686	Hose (Lower).....	1
5	1527982	Clamp.....	1
6	1502001	Clamp.....	3
7	1582076	Shroud.....	1
8	1535257	Clip.....	2
9	320154	Washer.....	2
10	302023	Screw.....	2
11	1551663	Clip.....	2
12	1585317	Bracket (Radiator).....	1
13	1530243	Insert.....	4
14	1583611	Capscrew.....	4
15	1529787	Isolator.....	4
16	1565692	Shield (Exhaust).....	1
17	1347026	Reservoir.....	1
18	345455	Outlet Assembly.....	1
18	336550	Bushing.....	1
18	345453	Outlet (Reservoir).....	1
18	345454	Cap.....	1
18	339735	Hose.....	1
19	1567674	Hose.....	1
20	369815	Clamp.....	2
21	1531167	Bracket.....	1
22	1527879	Capscrew.....	2
23	1480237	Clip Nut.....	2
24	1582078	Screen.....	1
25	1531404	Sensor (Low Coolant Level).....	1
26	a 14385	Plug.....	1

FOOTNOTES:

a Without Low Coolant Level Sensor

EXHAUST SYSTEM (Figure 2-26) GM 2.4L LPG

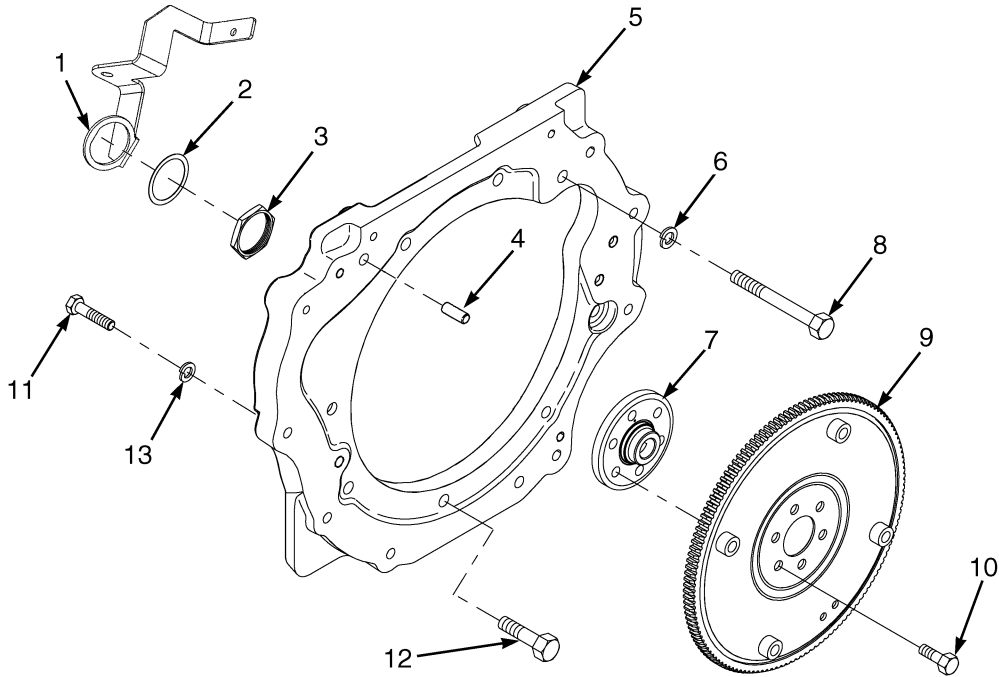


HP091225

**EXHAUST SYSTEM
GM 2.4L
LPG****KEY:****A: With Catalytic Converter****B: Without Catalytic Converter**

ITEM	PART NO.	DESCRIPTION	QTY	
			A	B
1	2021394	Cover	1	1
2	1534789	Exhaust Pipe	1	1
3	1347045	Fastener.....	1	1
4	1586013	Capscrew.....	1	1
5	320159	Washer	1	1
6	68968	Clamp	3	3
7	1533639	Cover	1	1
8	1533863	Exhaust Pipe (Overhead)	1	1
9	1589312	Exhaust Pipe (Counterweight)	1	1
10	1460477	Nut (Flange).....	2	..
11	1532523	Bracket.....	1	..
12	1546731	Exhaust Pipe	1	..
12	1566515	Exhaust Pipe (Not Illustrated)	1
13	1527879	Capscrew.....	1	1
14	1587069	Shield.....	1	1
15	1528778	Capscrew.....	1	1
16	1587068	Bracket.....	1	1
17	1480237	Clip Nut.....	1	1
18	1582222	Lock Nut.....	4	4
19	1566528	Gasket	1	1
20	1567831	Stud (Exhaust).....	2	2
21	1582139	Gasket	1	1
22	1583713	Adapter	1	1
23	1469405	Nut	2	..
24	292683	Lockwasher.....	2	..
25	1469379	Gasket	1	..
26	2059689	Catalytic Converter	1	..
27	1495501	Bolt	2	..
28	1495502	Bolt	2	..
29	1547712	Gasket	1	..
30	1534174	Exhaust Pipe	1	..
31	1528938	Washer	4	4
32	1528930	Isolator	2	2
33	1532585	Washer	1	1
34	1528934	Spacer	2	2
35	1510115	Capscrew.....	2	2
36	2060957	Muffler.....	1	1

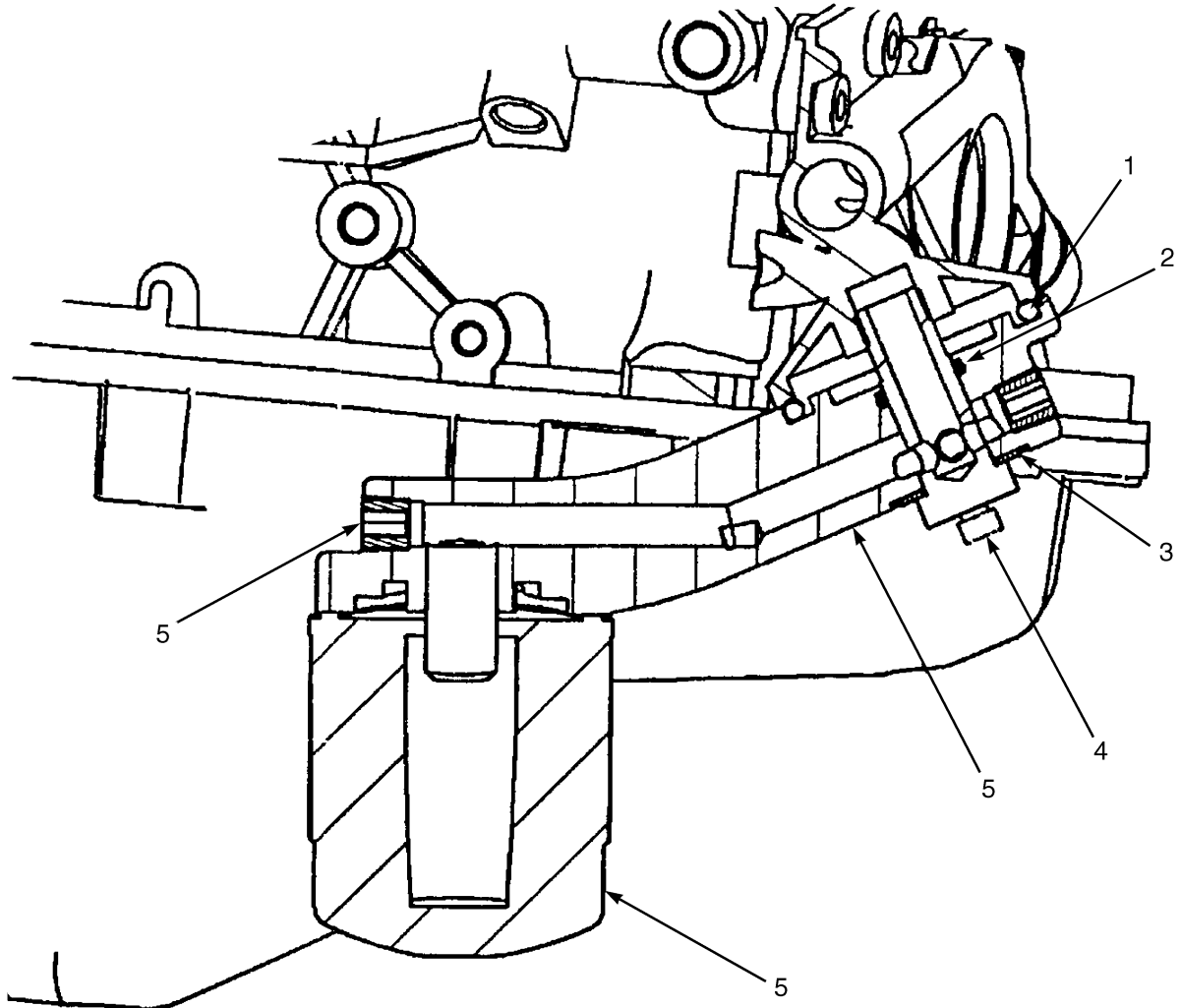
FLYWHEEL AND HOUSING (Figure 2-27) GM 2.4L LPG



HP091237

ITEM	PART NO.	DESCRIPTION	QTY
1	1551608	Bracket.....	1
2	1539086	Lockwasher.....	1
3	1539085	Nut.....	1
4	303150	Pin.....	2
5	1553267	Flywheel Housing.....	1
6	292683	Lockwasher.....	11
7	1588963	Adapter.....	1
8	292539	Capscrew.....	1
9	1605988	Flywheel.....	1
10	309740	Capscrew.....	6
11	292517	Capscrew.....	10
12	246001	Capscrew.....	10
13	292682	Lockwasher.....	10

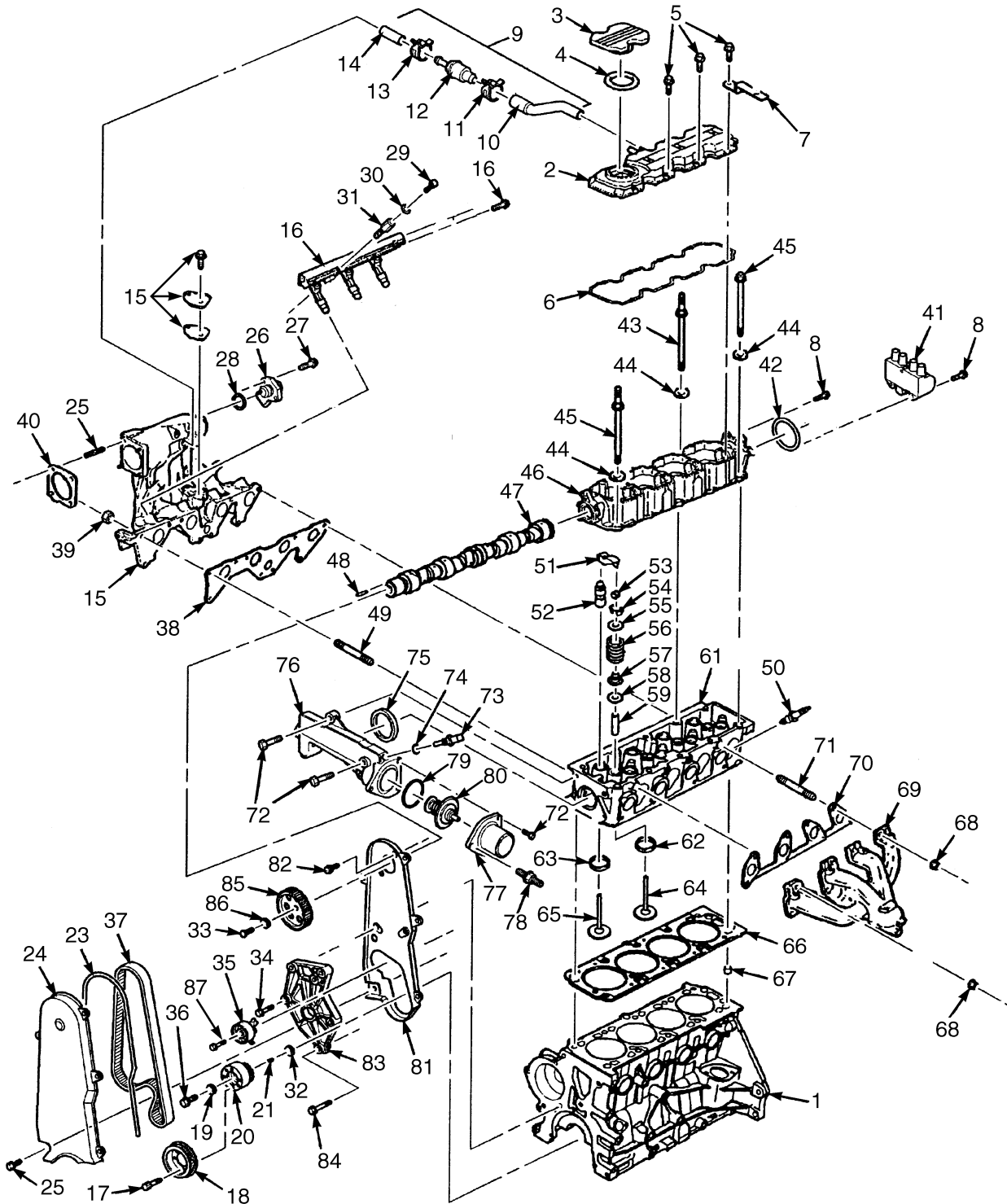
REMOTE OIL FILTER (Figure 2-28)
GM 2.4L
LPG



BP090154

ITEM	PART NO.	DESCRIPTION	QTY
	1501695	Engine Assembly (GM 2.4L).....	1
1	61191	O-Ring	1
2	60836	O-Ring	1
3	118257	Sealing Washer	1
4	1568774	Banjo Bolt.....	1
5	1542674	Oil Filter Adapter Assembly	1
5	Adapter	1
5	15483	Fitting	2
5	125347	Fitting	2
6	1584120	Oil Filter	1

CAMSHAFT, CYLINDER HEAD AND MANIFOLDS (Figure 2-29) GM 2.4L LPG



BP090196

CAMSHAFT, CYLINDER HEAD AND MANIFOLDS

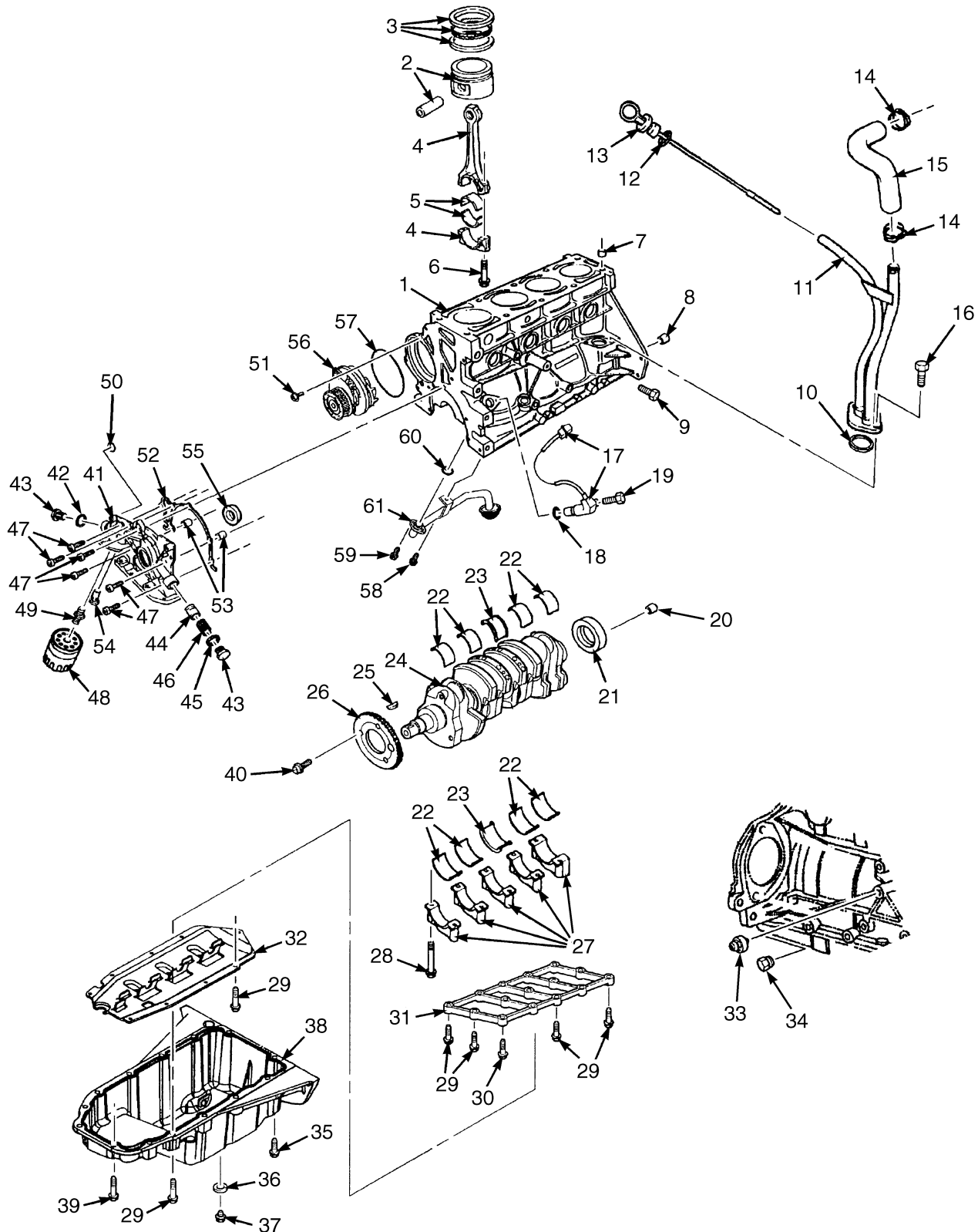
GM 2.4L LPG

ITEM	PART NO.	DESCRIPTION	QTY
1	1501695	Engine Assembly (GM 2.4L).....	1
2	1584492	Cover.....	1
3	1584493	Filler Cap.....	1
4	1584495	Seal.....	1
5	1593665	Bolt.....	8
6	1584497	Gasket.....	1
7	1584532	Bracket	1
8	1584490	Screw	8
9	1584266	Hose Assembly (PCV).....	1
10	1584445	Hose.....	1
11	1584451	Clamp.....	1
12	1584442	Valve (PCV).....	1
13	1584444	Clamp (LH).....	1
14	1584267	Hose.....	1
15	1584465	Intake Manifold	1
15	Screw	2
15	Cover.....	1
15	Gasket.....	1
16	1581795	Fuel Rail (LPG).....	1
16	Bolt.....	1
17	1584520	Screw	4
18	1580793	Balancer (Crankshaft)	1
19	1584506	Washer	1
20	1584502	Sprocket	1
21	1584504	Key	1
22	Stud.....	4
23	Seal.....	1
24	1584458	Cover (Timing Belt)	1
25	1584452	Screw	5
26	1584472	MAP Sensor	1
27	Bolt.....	2
28	Seal.....	1
29	Bolt.....	4
30	Washer	4
31	1548394	Extension (Fuel Rail).....	4
32	1584505	Spacer.....	2
33	1584498	Screw	1
34	1584522	Screw	1
35	1584509	Tensioner.....	1
36	1584503	Screw	1
37	1584507	Timing Belt	1
38	1584464	Gasket.....	1
39	Nut.....	4
40	Gasket.....	1
41	1584523	Ignition Coil.....	1
42	1584488	Seal	1
43	1584206	Bolt.....	8
44	1584208	Washer	10
45	1584207	Stud.....	7
46	1584479	Housing	1

CAMSHAFT, CYLINDER HEAD AND MANIFOLDS GM 2.4L LPG

ITEM	PART NO.	DESCRIPTION	QTY
47	1584480	Camshaft	1
48	1584481	Pin	1
49	1584203	Stud	9
50	1584123	Spark Plug	4
51	1584519	Rocker Arm	8
52	1584508	Lifter	8
53	1584511	Seat	8
54	1584202	Key	16
55	1584201	Retainer	8
56	1584200	Spring	8
57	1584199	Valve Seal	8
58	1584197	Seat (Intake Valve Spring)	8
59	1584193	Valve Guide	8
60	1593654	Valve Guide (0.25 O/S)	8
61	1584188	Cylinder Head	1
62	1584190	Seat (Exhaust Valve)	4
63	1584189	Seat (Inlet Valve)	4
64	1584196	Valve (Exhaust)	4
65	1584195	Valve (Inlet)	4
66	1584141	Gasket	1
67	1584182	Pin	4
68	1584474	Nut	8
69	1584478	Exhaust Manifold	1
70	1584475	Gasket	1
71	1584204	Stud	8
72	1584462	Screw	4
73	1584140	Sensor (Engine Coolant)	1
74	Seal	1
75	1584463	Seal	1
76	1584459	Housing	1
77	1584179	Water Inlet	1
78	1584460	Stud	1
79	1584122	Seal	1
80	1584121	Thermostat	1
81	1584453	Cover	1
82	302047	Screw	4
83	1584521	Adapter	1
84	1584243	Bolt	2
85	1584491	Sprocket	1
86	1593662	Washer	2
87	1584510	Screw	1

CRANKSHAFT, PISTONS AND OIL PAN (Figure 2-30) GM 2.4L LPG



BP090164

CRANKSHAFT, PISTONS AND OIL PAN

GM 2.4L LPG

ITEM	PART NO.	DESCRIPTION	QTY
1	1501695	Engine Assembly (GM 2.4L).....	1
2	1593657	Piston/Ring Set (Standard).....	4
2	1593659	Piston/Ring Set (0.25 O/S).....	4
3	1593658	Piston Ring Kit	1
4	1584232	Connecting Rod Assembly	4
4	1584239	Bolt.....	2
5	1584248	Bearing Kit (Standard).....	4
5	1584662	Bearing Kit (0.25 O/S)	4
6	1584239	Bolt	8
7	1584182	Pin	4
8	1584183	Pin	2
9	Plug	1
10	1584447	Gasket	1
11	1584446	Pipe Assembly.....	1
12	Seal.....	1
13	1584265	Indicator	1
14	1584451	Clamp	2
15	1584450	Hose	1
16	1584449	Screw	2
17	1584514	Sensor (Crankshaft Position).....	1
18	Seal.....	1
19	1584227	Bolt	4
20	Bearing	1
21	1584533	Seal	1
22	1584618	Bearing Kit (Standard).....	4
22	1584619	Bearing Kit (0.25 O/S)	4
23	1593655	Bearing Kit (Standard).....	1
23	1593656	Bearing Kit (0.25 O/S)	1
24	1584209	Crankshaft	1
25	1584504	Key	1
26	1584222	Capacitor	1
27	Cap.....	4
28	1584178	Screw	10
29	1584243	Bolt	24
30	1593653	Bolt	1
31	1584185	Plate	1
32	1584241	Baffle	1
33	1593661	Sensor (Knock).....	1
34	1358026	Plug	1
35	1584242	Bolt	2
36	1597697	Seal	1
37	1597698	Drain Plug.....	1
38	1584240	Oil Pan.....	1
39	1584244	Bolt	4
40	1584227	Bolt	4
41	1584247	Oil Pump Assembly	1
42	1584262	Seal.....	1
43	1584257	Bolt.....	2
44	1584254	Valve	1
45	1584261	Gasket.....	1

**CRANKSHAFT, PISTONS AND OIL PAN
GM 2.4L
LPG**

ITEM	PART NO.	DESCRIPTION	QTY
46	1584255	Spring.....	1
47	1584253	Bolt.....	5
48	1584120	Oil Filter.....	1
49	1584252	Fitting.....	1
50	1584187	Washer.....	1
51	1584455	Screw.....	3
52	1584246	Gasket.....	2
53	1584184	Pin.....	1
54	1584256	Valve.....	1
55	1584260	Seal.....	1
56	1584456	Water Pump.....	1
57	1591538	Seal.....	1
58	Bolt.....	1
59	1584457	Seal.....	1
59	1593660	Bolt.....	2
60	1584263	Seal.....	3
61	1584264	Pipe (Oil Pump Suction).....	1

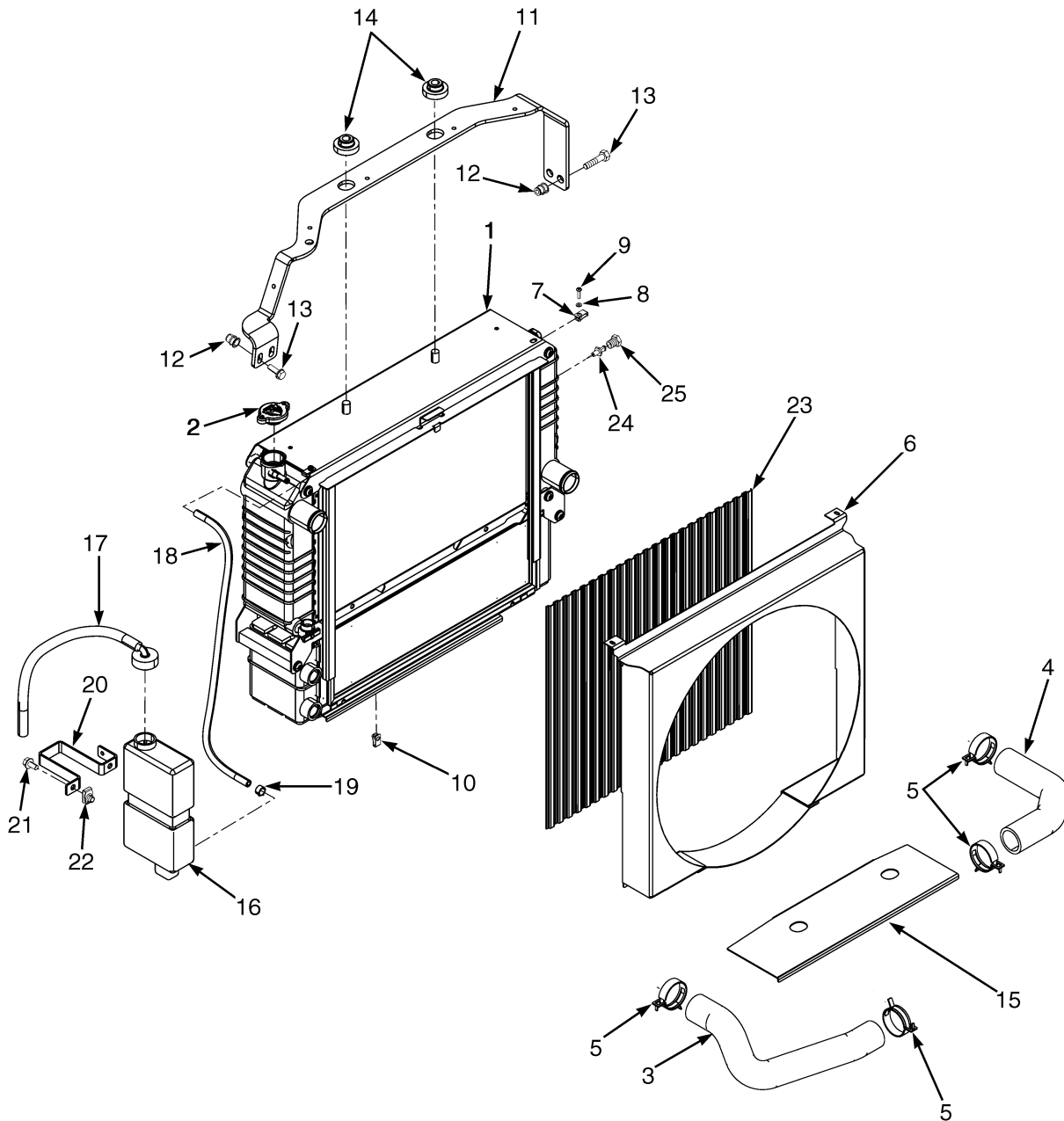
COOLING SYSTEM
YANMAR 2.6L AND 3.3L, DIESEL, SQUARE WAVE RADIATOR
WITH INTERNAL AIR OIL COOLER

ITEM	PART NO.	DESCRIPTION	QTY
1	2069552	Radiator	1
1	1569079	Draincock (With Thread Wrap)	1
2	1352140	Cap	1
3	2070071	Hose (Upper)	1
4	2070072	Hose (Lower)	1
5	1502001	Clamp	4
6	1566802	Shroud	1
7	1535257	Clip	2
8	320154	Washer	2
9	302023	Screw	2
10	1329271	Clip	2
11	1585317	Bracket (Radiator)	1
12	1530243	Insert	4
13	1583611	Capscrew	4
14	1529787	Isolator	4
15	1565692	Shield (Exhaust)	1
16	1347026	Reservoir	1
17	345455	Outlet Assembly	1
17	336550	Bushing	1
17	345453	Outlet (Reservoir)	1
17	345454	Cap	1
17	339735	Hose	1
18	1567674	Hose	1
19	369815	Clamp	2
20	1531167	Bracket	1
21	1527879	Capscrew	2
22	1480237	Clip Nut	2
23	1582078	Screen	1
24	1531404	Sensor (Low Coolant Level)	1
25	a 14385	Plug	1

FOOTNOTES:

a Without Low Coolant Level Sensor

COOLING SYSTEM (Figure 2-32) YANMAR 2.6L AND 3.3L, DIESEL, SQUARE WAVE RADIATOR WITH EXTERNAL AIR OIL COOLER



HP060041

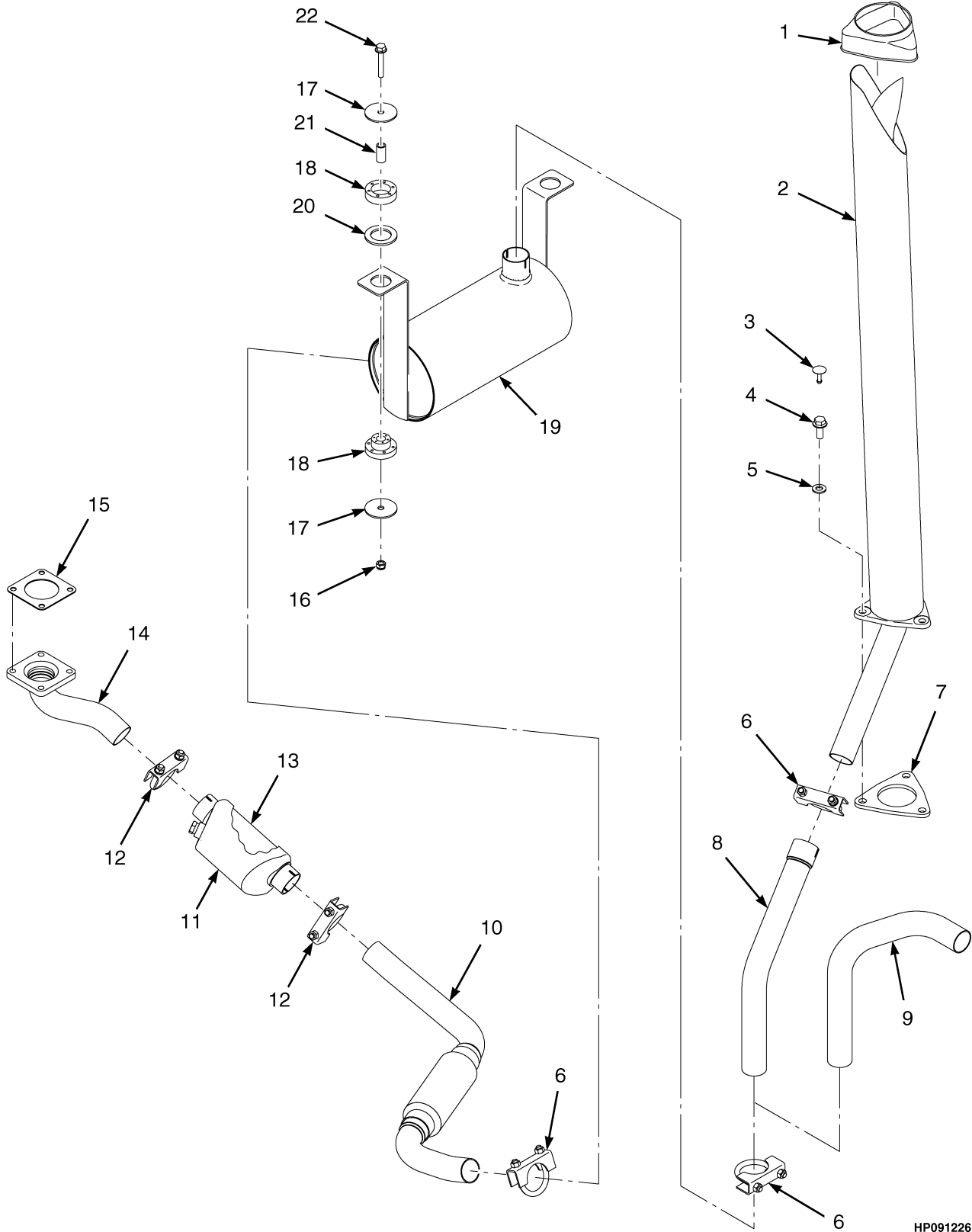
COOLING SYSTEM
YANMAR 2.6L AND 3.3L, DIESEL, SQUARE WAVE RADIATOR
WITH EXTERNAL AIR OIL COOLER

ITEM	PART NO.	DESCRIPTION	QTY
1	2074790	Radiator Assembly.....	1
1	1590972	Radiator.....	1
1	1590918	Oil Cooler	1
1	1597765	Washer	4
1	1597766	Screw	4
2	1352140	Cap	1
3	2070071	Hose (Upper)	1
4	2069688	Hose (Lower)	1
5	1502001	Clamp	4
6	1582076	Shroud	1
7	1535257	Clip	2
8	320154	Washer	2
9	302023	Screw.....	2
10	1551663	Clip	2
11	1585317	Bracket (Radiator).....	1
12	1530243	Insert.....	4
13	1583611	Capscrew.....	4
14	1529787	Isolator.....	4
15	1565692	Shield (Exhaust)	1
16	1347026	Reservoir	1
17	345455	Outlet Assembly.....	1
17	336550	Bushing	1
17	345453	Outlet (Reservoir)	1
17	345454	Cap.....	1
17	339735	Hose.....	1
18	1567674	Hose	1
19	369815	Clamp	2
20	1531167	Bracket.....	1
21	1527879	Capscrew.....	2
22	1480237	Clip Nut.....	2
23	1582078	Screen	1
24	1531404	Sensor (Low Coolant Level).....	1
25	a 14385	Plug	1

FOOTNOTES:

a Without Low Coolant Level Sensor

EXHAUST SYSTEM (Figure 2-33) YANMAR 2.6L AND 3.3L DIESEL



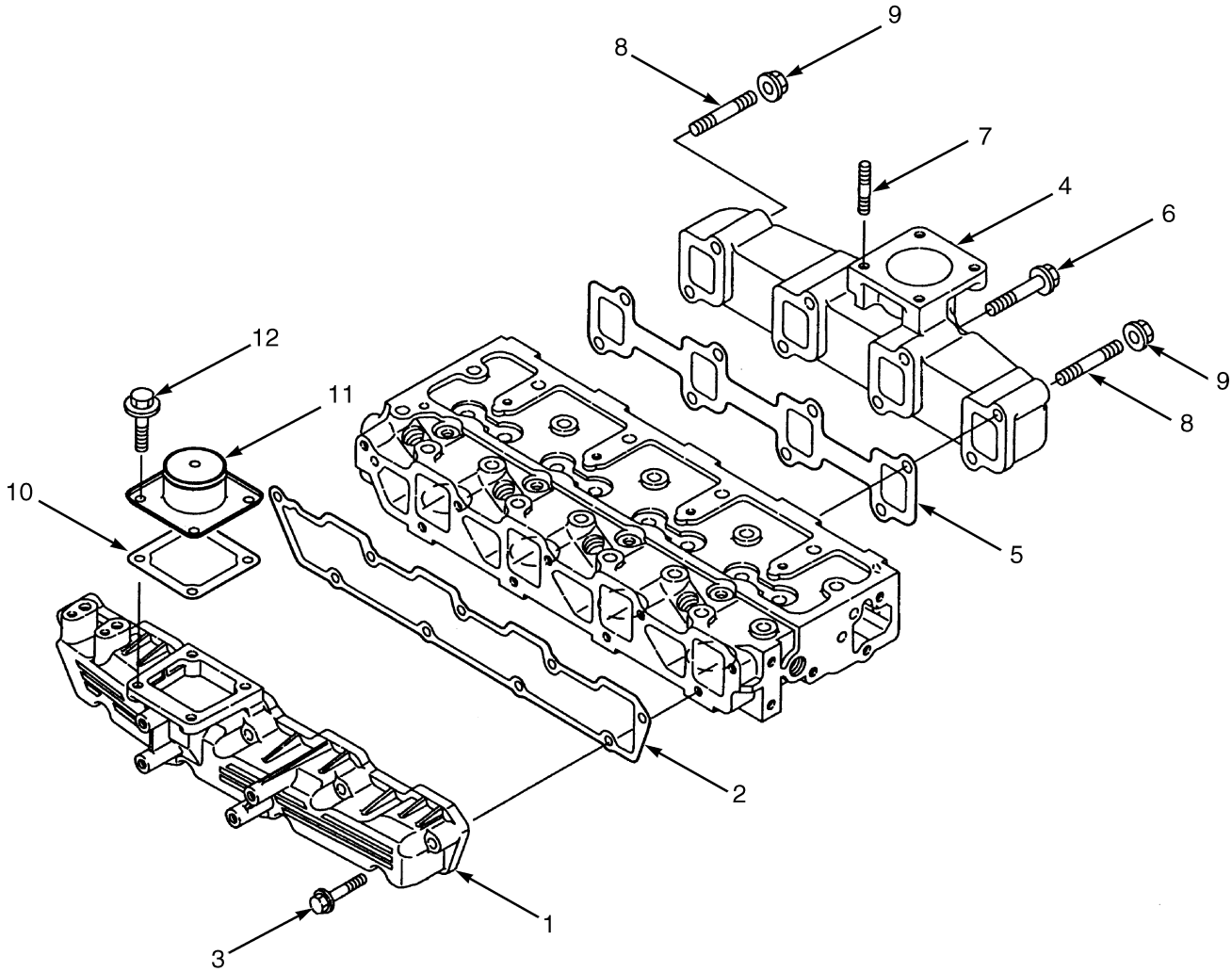
HP091226

**EXHAUST SYSTEM
YANMAR 2.6L AND 3.3L
DIESEL**

KEY:**A: With Catalytic Converter****B: Without Catalytic Converter**

ITEM	PART NO.	DESCRIPTION	QTY	
			A	B
1	2021394	Cover	1	1
2	1534789	Exhaust Pipe	1	1
3	1347045	Fastener.....	3	3
4	1586013	Capscrew.....	3	3
5	320159	Washer	3	3
6	68968	Clamp	3	3
7	1533639	Cover	1	1
8	1567020	Exhaust Pipe (Overhead)	1	1
9	1586967	Exhaust Pipe (Counterweight)	1	1
10	1589629	Exhaust Pipe	1	..
10	1589630	Exhaust Pipe (Not Illustrated)	1
11	878258	Purifier (Exhaust).....	1	..
12	1391757	Clamp.....	2	..
13	1391758	Sock (Fiberglass)	1	..
14	1589635	Exhaust Pipe	1	..
15	1532363	Gasket	1	1
16	1582222	Lock Nut.....	4	4
17	1528938	Washer	4	4
18	1528930	Isolator	2	2
19	2075554	Muffler (Exhaust)	1	1
20	1532585	Washer	2	2
21	1528934	Spacer	2	2
22	1510115	Capscrew.....	2	2

INTAKE AND EXHAUST MANIFOLD (Figure 2-34) YANMAR 2.6L AND 3.3L DIESEL

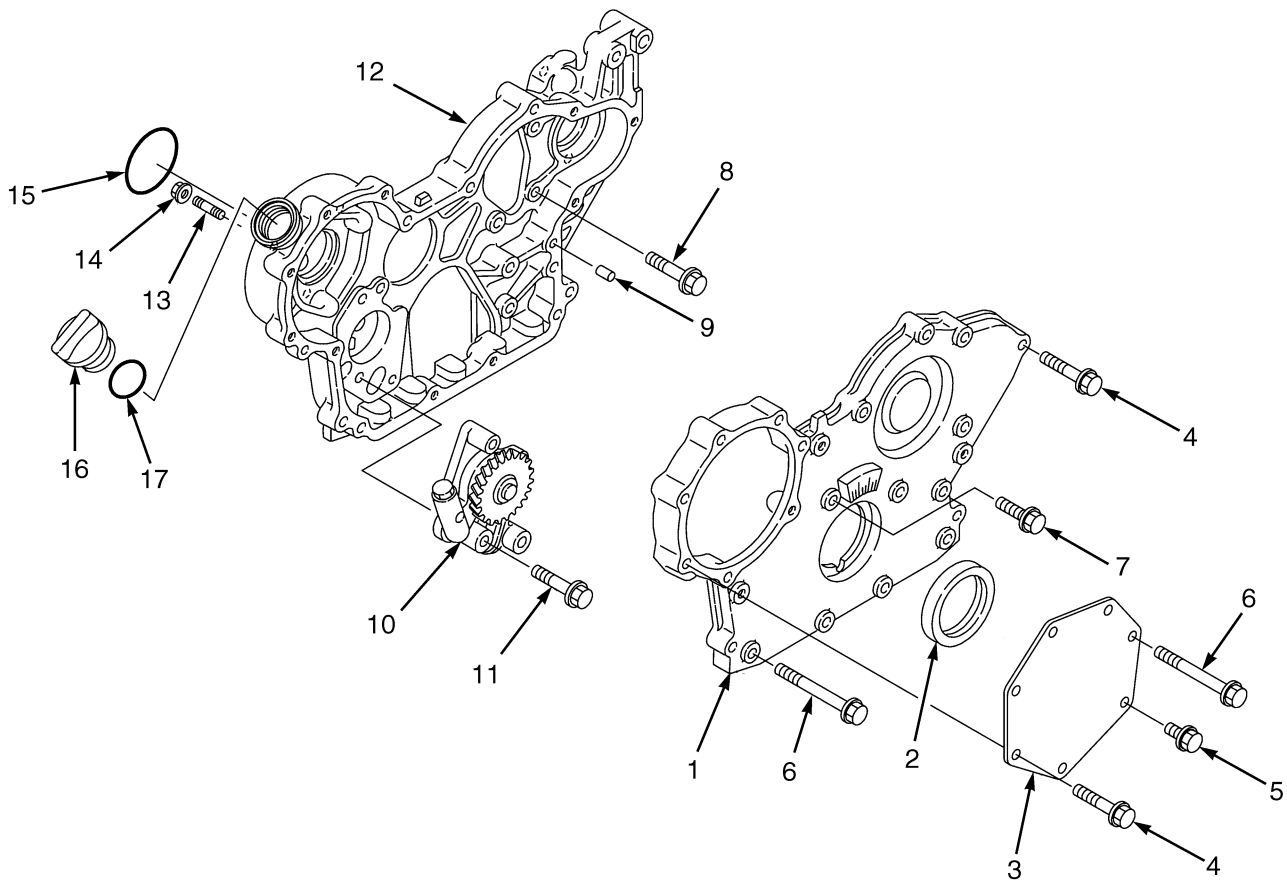


BP090185

**INTAKE AND EXHAUST MANIFOLD
YANMAR 2.6L AND 3.3L
DIESEL**

ITEM	PART NO.	DESCRIPTION	QTY
	1501687	Engine Assembly (2.6L).....	1
	1501690	Engine Assembly (3.3L).....	1
1	1599556	Intake Manifold	1
2	1599543	Gasket	1
3	1599475	Bolt	9
4	1599559	Exhaust Manifold	1
5	1599560	Gasket	1
6	1599561	Bolt	9
7	1599562	Stud	4
8	1599563	Stud	2
9	2068378	Nut.....	2
10	1599565	Gasket	1
11	1599567	Joint.....	1
12	1599568	Bolt	4
	1599898	Gasket Set (Includes Items 2, 5, 10)	1
	1600085	Gasket Set (Includes Items 2, 5, 10)	1

GEAR HOUSING (Figure 2-35) YANMAR 2.6L AND 3.3L DIESEL

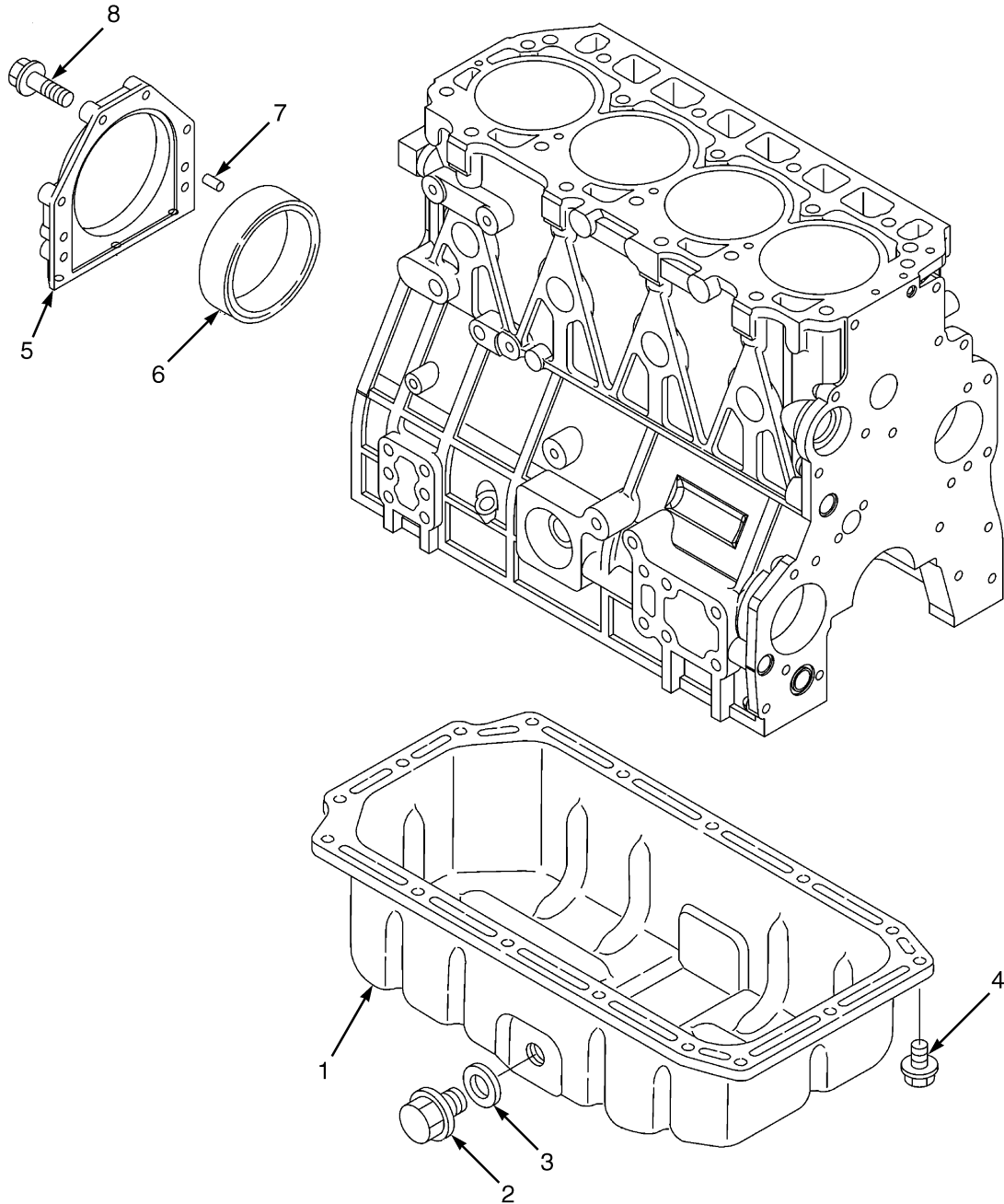


BP090182

**GEAR HOUSING
YANMAR 2.6L AND 3.3L
DIESEL**

ITEM	PART NO.	DESCRIPTION	QTY
	1501687	Engine Assembly (2.6L).....	1
	1501690	Engine Assembly (3.3L).....	1
1	1599459	Gear Cover Assembly	1
2	1599460	Oil Seal	1
3	1599461	Cover.....	1
4	1599473	Bolt	10
5	1599470	Bolt	1
6	1599476	Bolt	7
7	1599472	Bolt	1
8	1599471	Bolt	3
9	1599458	Pin	4
10	1599466	Pump.....	1
11	1599475	Bolt	1
12	1599465	Gear Case.....	1
13	1599467	Stud.....	3
14	2068378	Nut.....	3
15	1599462	O-Ring.....	1
16	1599463	Cap (Oil Fill)	1
17	1599464	O-Ring.....	1
	1599478	Liquid Gasket.....	AR
	1600085	Gasket Set (Includes Items 15, 17)	1
	1599898	Gasket Set (Includes Items 15, 17)	1

OIL PAN (Figure 2-36) YANMAR 2.6L AND 3.3L DIESEL

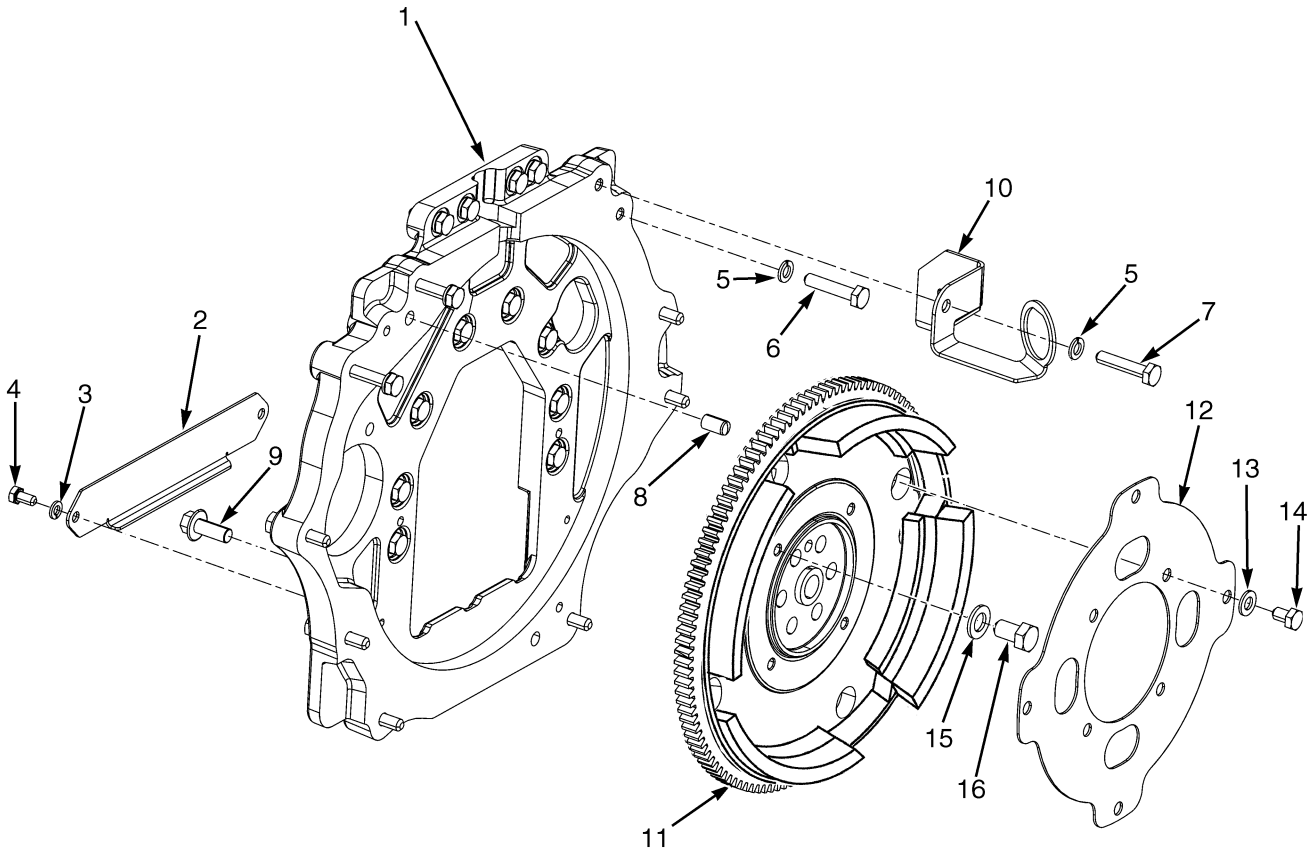


BP090183

**OIL PAN
YANMAR 2.6L AND 3.3L
DIESEL**

ITEM	PART NO.	DESCRIPTION	QTY
	1501687	Engine Assembly (2.6L).....	1
	1501690	Engine Assembly (3.3L).....	1
1	1599479	Oil Pan.....	1
2	1599480	Drain Plug	1
3	1599481	Seal.....	1
4	1599448	Bolt	16
5	1599483	Case.....	1
6	1599484	Seal.....	1
7	1599458	Pin	2
8	1599485	Bolt	6
	1599478	Liquid Gasket (Not Illustrated)	AR
	1600085	Gasket Set (Includes Items 3, 9)	1
	1599898	Gasket Set (Includes Items 3, 9)	1

FLYWHEEL AND HOUSING (Figure 2-37) YANMAR 2.6L AND 3.3L DIESEL

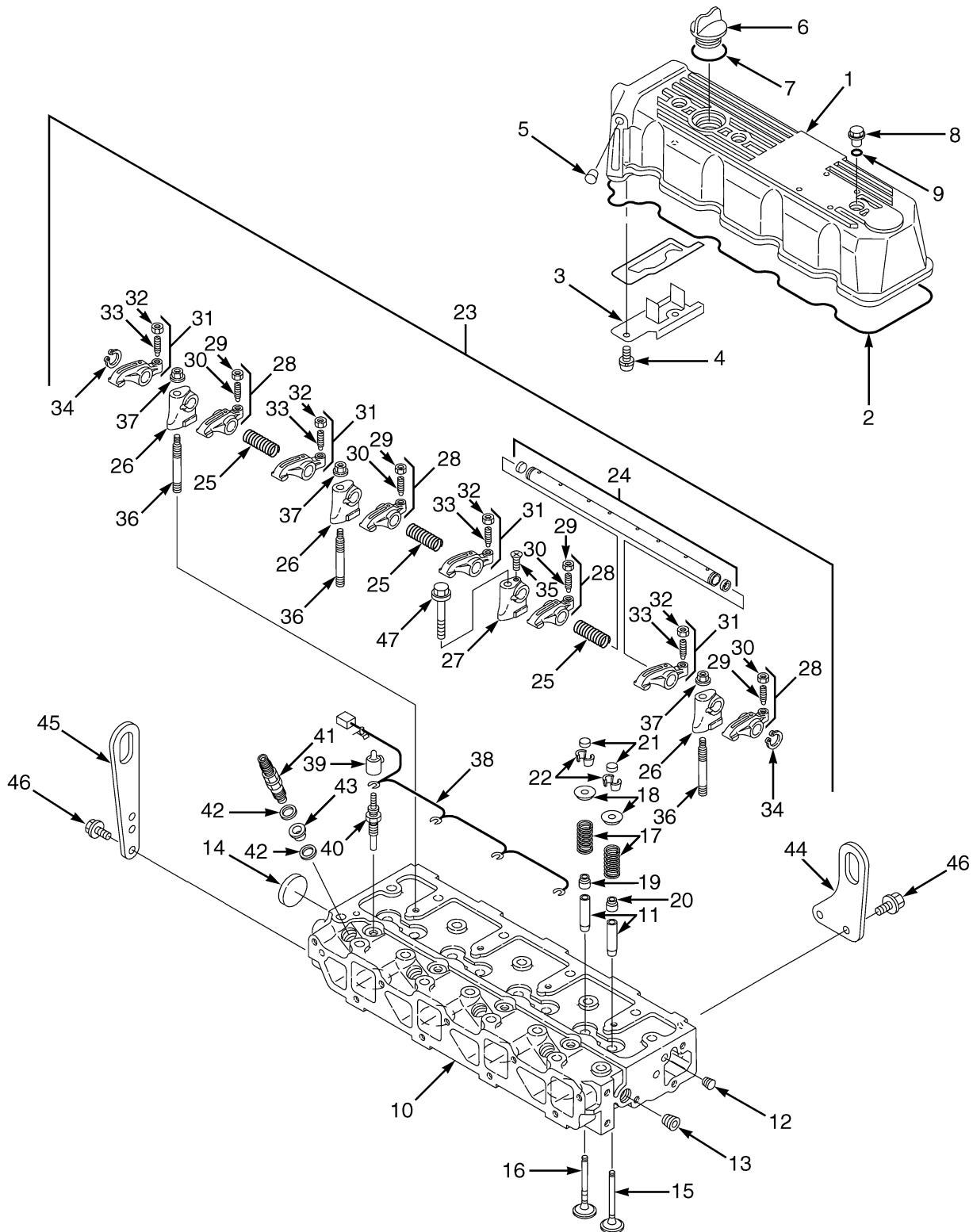


HP091235

**FLYWHEEL AND HOUSING
YANMAR 2.6L AND 3.3L
DIESEL**

ITEM	PART NO.	DESCRIPTION	QTY
1	1553265	Housing	1
2	1522363	Cover	1
3	292681	Lockwasher.....	2
4	287851	Capscrew.....	2
5	292682	Lockwasher.....	22
6	136985	Capscrew.....	12
7	292517	Capscrew.....	10
8	303150	Pin	2
9	1528889	Capscrew.....	2
10	1551608	Bracket.....	1
11	1598007	Flywheel	1
12	1531806	Flex Plate.....	1
13	296420	Washer	4
14	293626	Capscrew.....	4
15	296424	Washer	6
16	1550747	Capscrew.....	6
	1584621	Sealant	AR

CYLINDER HEAD (Figure 2-38) YANMAR 2.6L AND 3.3L DIESEL



BP090184

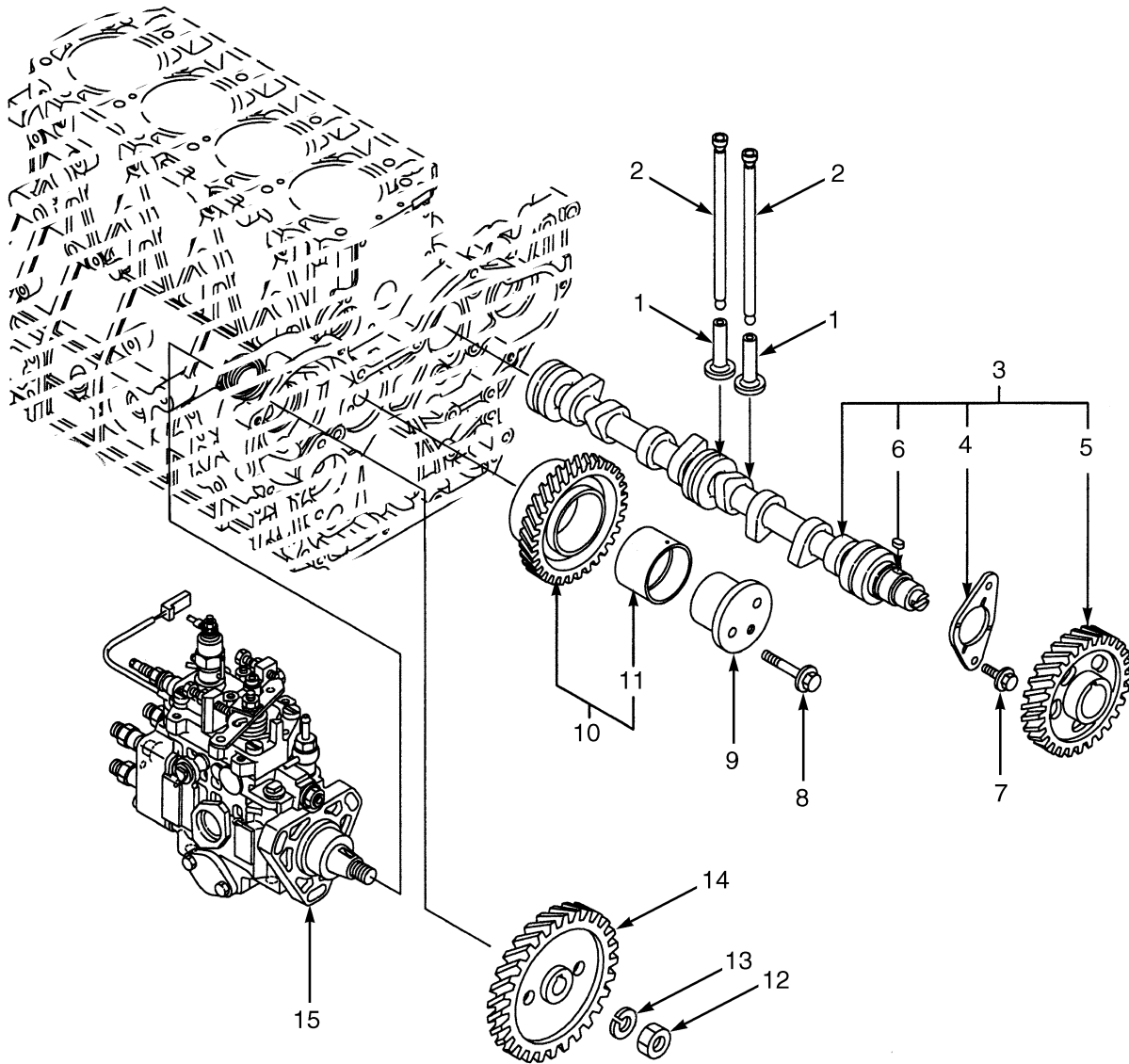
CYLINDER HEAD YANMAR 2.6L AND 3.3L DIESEL

ITEM	PART NO.	DESCRIPTION	QTY
	1501687	Engine Assembly (2.6L).....	1
	1501690	Engine Assembly (3.3L).....	1
1	1599545	Cover.....	1
2	1599546	Gasket.....	1
3	1599547	Plate.....	1
4	1599548	Screw.....	2
5	1599549	Plug.....	1
6	1599463	Cap (Oil Fill).....	1
7	1599464	O-Ring.....	1
8	1599544	Valve Cover Nut.....	3
9	1599550	O-Ring.....	3
10	1599488	Cylinder Head Assembly (2.6L).....	1
10	1600273	Cylinder Head Assembly (3.3L).....	1
10	1599524	Cylinder Head (2.6L).....	1
10	1600274	Cylinder Head (3.3L).....	1
11	1599525	Valve Guide.....	8
12	1599526	Plug.....	1
13	1599441	Plug.....	1
14	1599528	Plug.....	1
15	1599489	Intake Valve.....	4
16	1599516	Exhaust Valve.....	4
17	1599517	Spring.....	8
18	1599518	Retainer.....	8
19	1599519	Seal (Exhaust Valve).....	4
20	1599520	Seal (Intake Valve).....	4
21	1599521	Cap.....	8
22	1599529	Cotter.....	8
23	1599530	Rocker Arm Support Assembly.....	1
24	1599531	Rocker Arm Shaft.....	1
25	1599532	Spring.....	3
26	1599533	Support.....	3
27	1599534	Support.....	1
28	1599535	Intake Rocker Arm Kit.....	4
29	1599536	Screw.....	1
30	1599537	Nut.....	1
31	1599538	Exhaust Rocker Arm Kit.....	4
32	1599536	Screw.....	1
33	1599537	Nut.....	1
34	1599539	Clip.....	2
35	1599540	Screw.....	1
36	1599541	Stud.....	3
37	1599542	Nut.....	3
38	1599553	Connector (Glow Plug).....	1
39	1599557	Cover.....	4
40	1599552	Glow Plug.....	4
41	1599819	Nozzle.....	1
42	1599523	Gasket.....	8
43	1599522	Protector.....	4
44	1599487	Lifting Eye.....	1
45	1599486	Lifting Eye.....	1

CYLINDER HEAD YANMAR 2.6L AND 3.3L DIESEL

ITEM	PART NO.	DESCRIPTION	QTY
46	1599470	Bolt	4
47	1599555	Bolt	1
	1600085	Gasket Set (3.3L) (Includes Items 2, 7, 9, 19-20, 42-43).....	1
	1599898	Gasket Set (2.6L) (Includes Items 2, 7, 9, 19-20, 42-43).....	1

CAMSHAFT AND DRIVE GEAR (Figure 2-39) YANMAR 2.6L AND 3.3L DIESEL

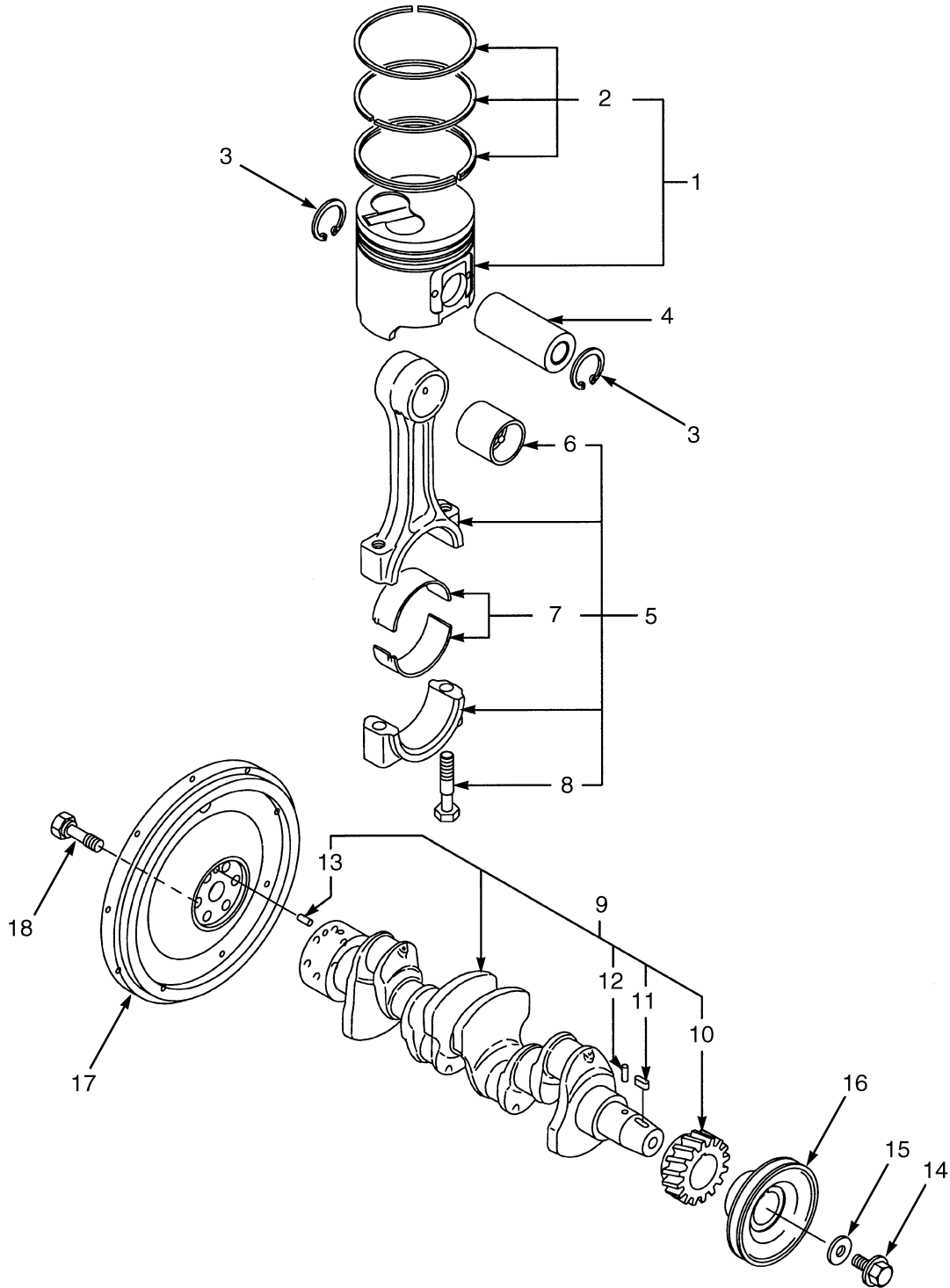


BP090186

**CAMSHAFT AND DRIVE GEAR
YANMAR 2.6L AND 3.3L
DIESEL**

ITEM	PART NO.	DESCRIPTION	QTY
	1501687	Engine Assembly (2.6L).....	1
	1501690	Engine Assembly (3.3L).....	1
1	1599569	Tappet.....	8
2	1599570	Push Rod.....	8
3	1599571	Camshaft Assembly	1
4	1599572	Retainer	1
5	1599573	Gear	1
6	1599574	Key	1
7	1599470	Bolt	2
8	1599579	Bolt	2
9	1599576	Idler Shaft.....	1
10	1599577	Idler Gear	1
11	1599578	Bushing	1
12	1599582	Lock Nut	1
13	1599581	Spring Washer.....	1
14	1599580	Gear	1
15	1599901	Fuel Injection Pump (2.6L) (☞ Figure 3-11)	1
15	1600084	Fuel Injection Pump (3.3L) (☞ Figure 3-11)	1

CRANKSHAFT AND PISTONS (Figure 2-40) YANMAR 2.6L AND 3.3L DIESEL

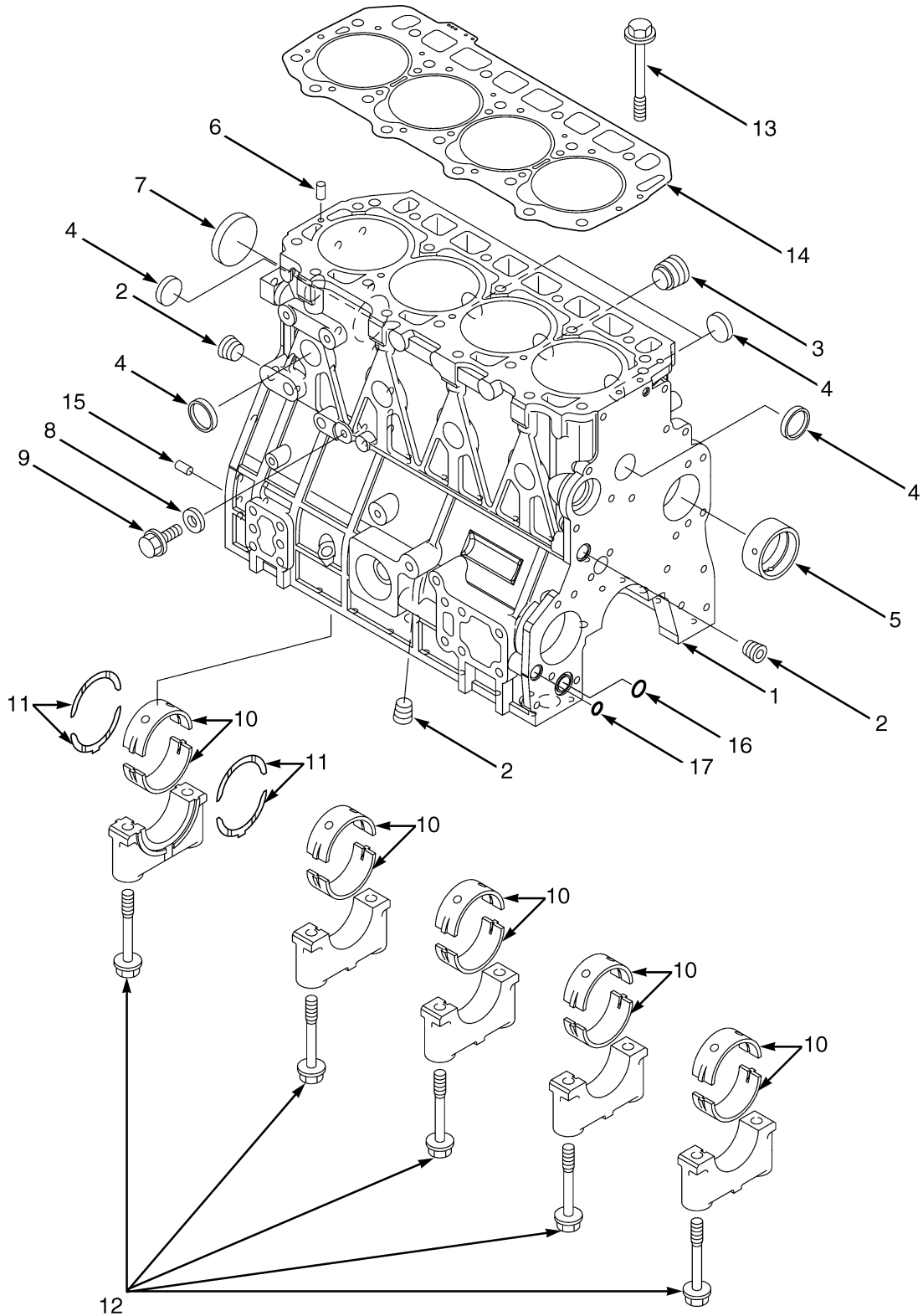


BP090187

CRANKSHAFT AND PISTONS YANMAR 2.6L AND 3.3L DIESEL

ITEM	PART NO.	DESCRIPTION	QTY
	1501687	Engine Assembly (2.6L).....	1
	1501690	Engine Assembly (3.3L).....	1
1	1599592	Piston Assembly (With Standard Rings) (2.6L)	4
1	1600276	Piston Assembly (With Standard Rings) (3.3L)	4
1	1599600	Piston Assembly (With O/S 0.25 Rings) (2.6L)	4
1	1600278	Piston Assembly (With O/S 0.25 Rings) (3.3L)	4
2	1599593	Ring Set (Standard) (2.6L).....	1
2	1600277	Ring Set (Standard) (3.3L).....	1
2	1599601	Ring Set (O/S 0.25) (2.6L)	1
2	1600279	Ring Set (O/S 0.25) (3.3L)	1
3	1599595	Snap Ring.....	8
4	1599594	Pin	4
5	1599596	Connecting Rod Assembly	4
6	1599597	Bushing	1
7	1599599	Bearing (Standard).....	1
7	1599602	Bearing (U/S 0.25)	4
8	1599598	Bolt	2
9	1599583	Crankshaft Assembly (2.6L)	1
9	1600275	Crankshaft Assembly (3.3L)	1
10	1599584	Gear	1
11	1599574	Key	1
12	1599585	Pin.....	1
13	1599586	Pin.....	1
14	1599590	Bolt	1
15	1599589	Washer	1
16	1599588	Pulley.....	1
17	1599603	Flywheel	1
18	1599591	Bolt	6

CYLINDER BLOCK (Figure 2-41) YANMAR 2.6L AND 3.3L DIESEL

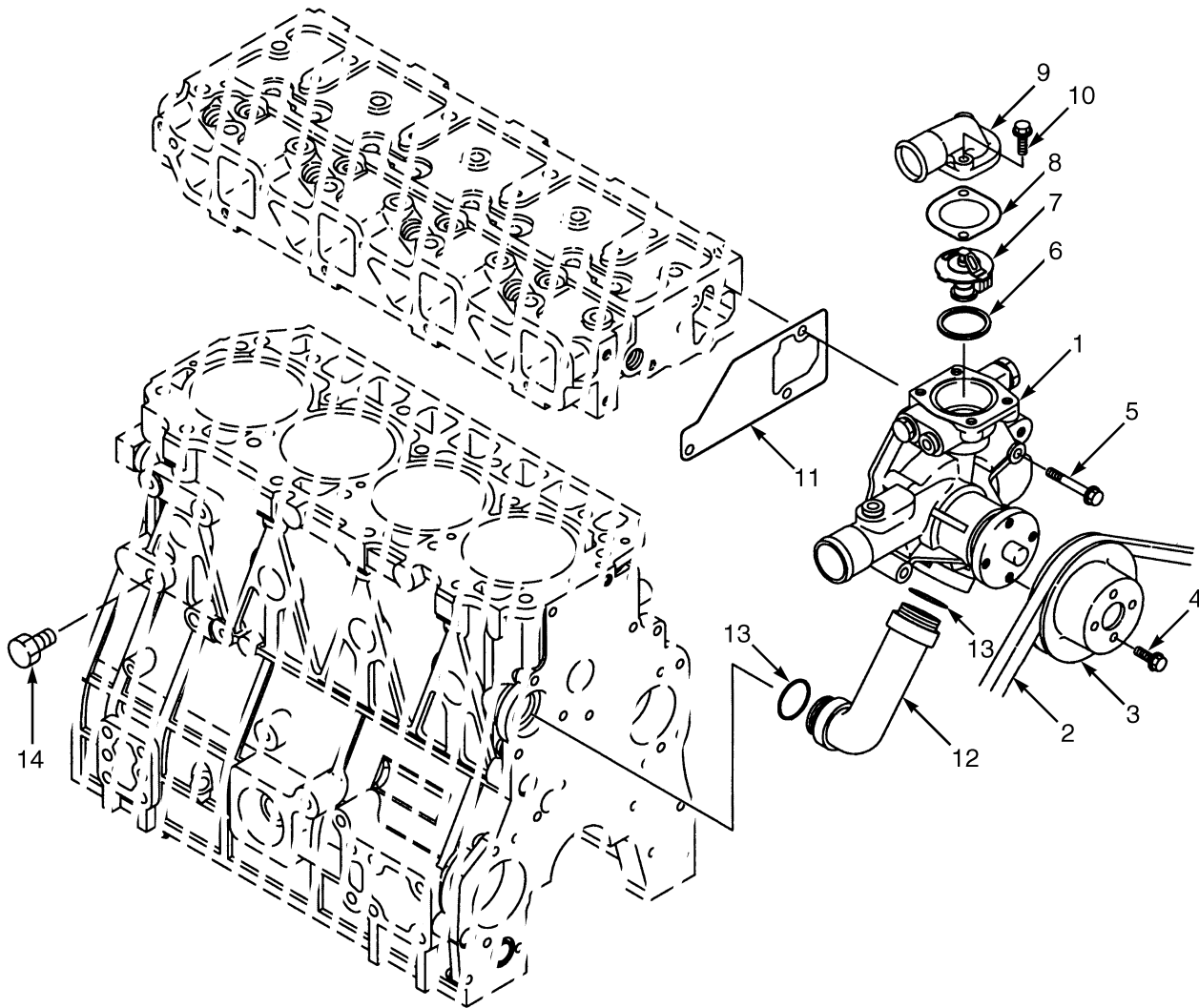


BP090181

**CYLINDER BLOCK
YANMAR 2.6L AND 3.3L
DIESEL**

ITEM	PART NO.	DESCRIPTION	QTY
	1501687	Engine Assembly (2.6L).....	1
	1501690	Engine Assembly (3.3L).....	1
1	1599904	Engine Block	1
2	1599441	Plug	3
3	1599442	Plug	1
4	1599451	Plug	8
5	1599444	Bushing	1
6	1599446	Spring Pin	2
7	1599449	Plug	1
8	1599445	Washer	1
9	1599448	Bolt	1
10	1599452	Main Bearing Set (Standard)	5
10	1599456	Main Bearing Set (U/S 0.25)	5
11	1599453	Thrust Bearing Set (Standard)	2
11	1599457	Thrust Bearing Set (U/S 0.25)	2
12	1599443	Bolt	10
13	1599454	Bolt	18
14	1599455	Gasket (2.6L).....	1
14	1599905	Gasket (3.3L).....	1
15	1599458	Pin	2
16	1599468	O-Ring	1
17	1599469	O-Ring	1
	1600085	Gasket Set (Includes Items 8, 14, 16-17)	1
	1599898	Gasket Set (Includes Items 8, 14, 16-17)	1

WATER PUMP (Figure 2-42) YANMAR 2.6L AND 3.3L DIESEL

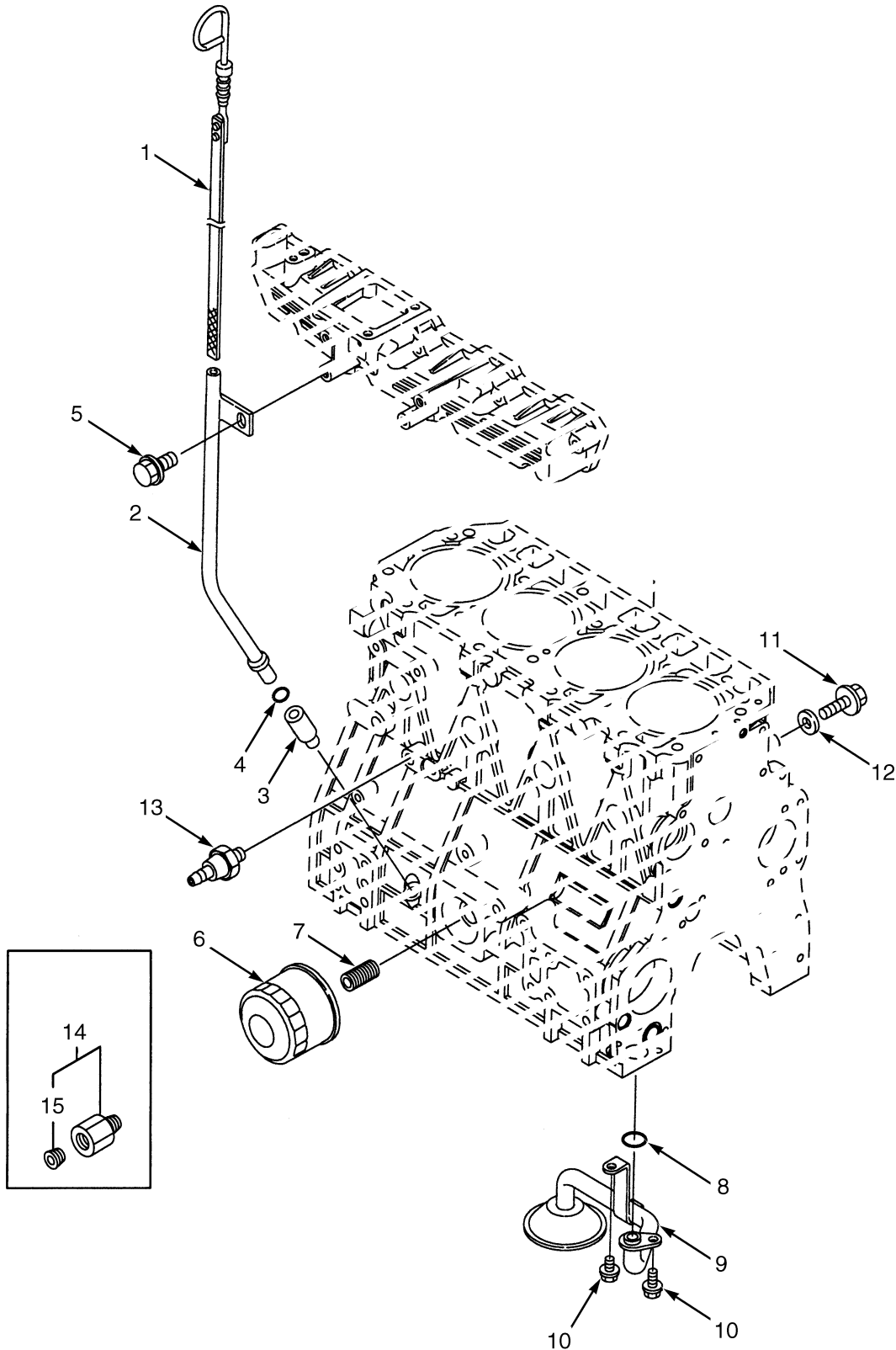


BP090193

**WATER PUMP
YANMAR 2.6L AND 3.3L
DIESEL**

ITEM	PART NO.	DESCRIPTION	QTY
	1501687	Engine Assembly (2.6L).....	1
	1501690	Engine Assembly (3.3L).....	1
1	1599804	Water Pump	1
2	1599794	V-Belt.....	1
3	1599795	Pulley.....	1
4	1599448	Bolt	4
5	1599579	Bolt	3
6	1597709	Gasket	1
7	1599800	Thermostat.....	1
8	1597710	Gasket	1
9	1599798	Cover.....	1
10	1599801	Bolt	1
11	1599803	Gasket	1
12	1599797	Pipe	1
13	1599807	O-Ring.....	2
14	1599802	Drain Plug.....	2
	1599898	Gasket Set (Includes Items 11-13)	1
	1600085	Gasket Set (Includes Items 11-13)	1

LUBRICATION SYSTEM (Figure 2-43) YANMAR 2.6L AND 3.3L DIESEL



BP090188

**LUBRICATION SYSTEM
YANMAR 2.6L AND 3.3L
DIESEL**

ITEM	PART NO.	DESCRIPTION	QTY
	1501687	Engine Assembly (2.6L).....	1
	1501690	Engine Assembly (3.3L).....	1
1	1599604	Dipstick.....	1
2	1599606	Tube (Dipstick).....	1
3	1599605	Guide.....	1
4	1599607	O-Ring.....	1
5	1599470	Bolt.....	1
6	2077983	Oil Filter.....	1
7	1599610	Stud.....	1
8	1599468	O-Ring.....	1
9	1599611	Pipe.....	1
10	1599612	Bolt.....	2
11	1599448	Bolt.....	1
12	1599445	Washer.....	1
13	1599613	Switch (Oil Pressure).....	1
14	1599616	Plug Assembly.....	1
15	1599793	Plug.....	1
	1599898	Gasket Set (Includes Items 4, 8, 12).....	1
	1600085	Gasket Set (Includes Items 4, 8, 12).....	1