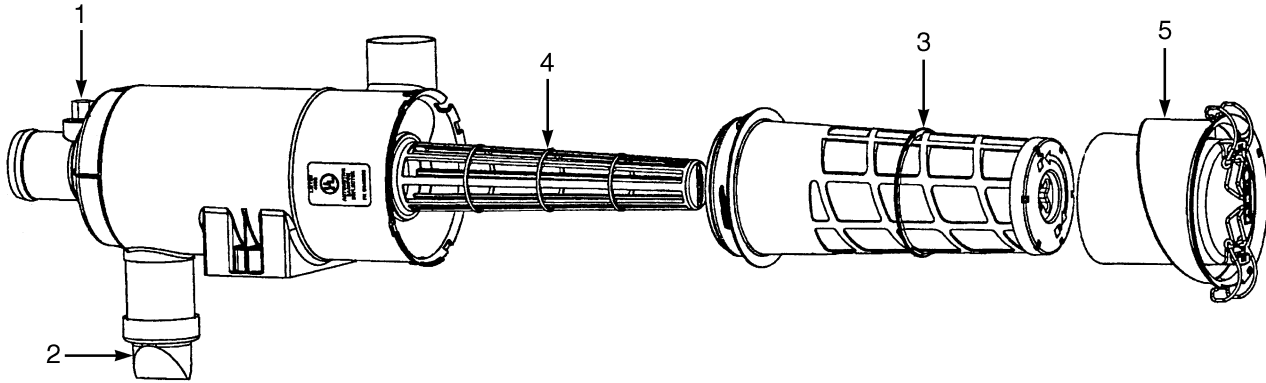


AIR CLEANER ASSEMBLY (Figure 3-1)



HP091227

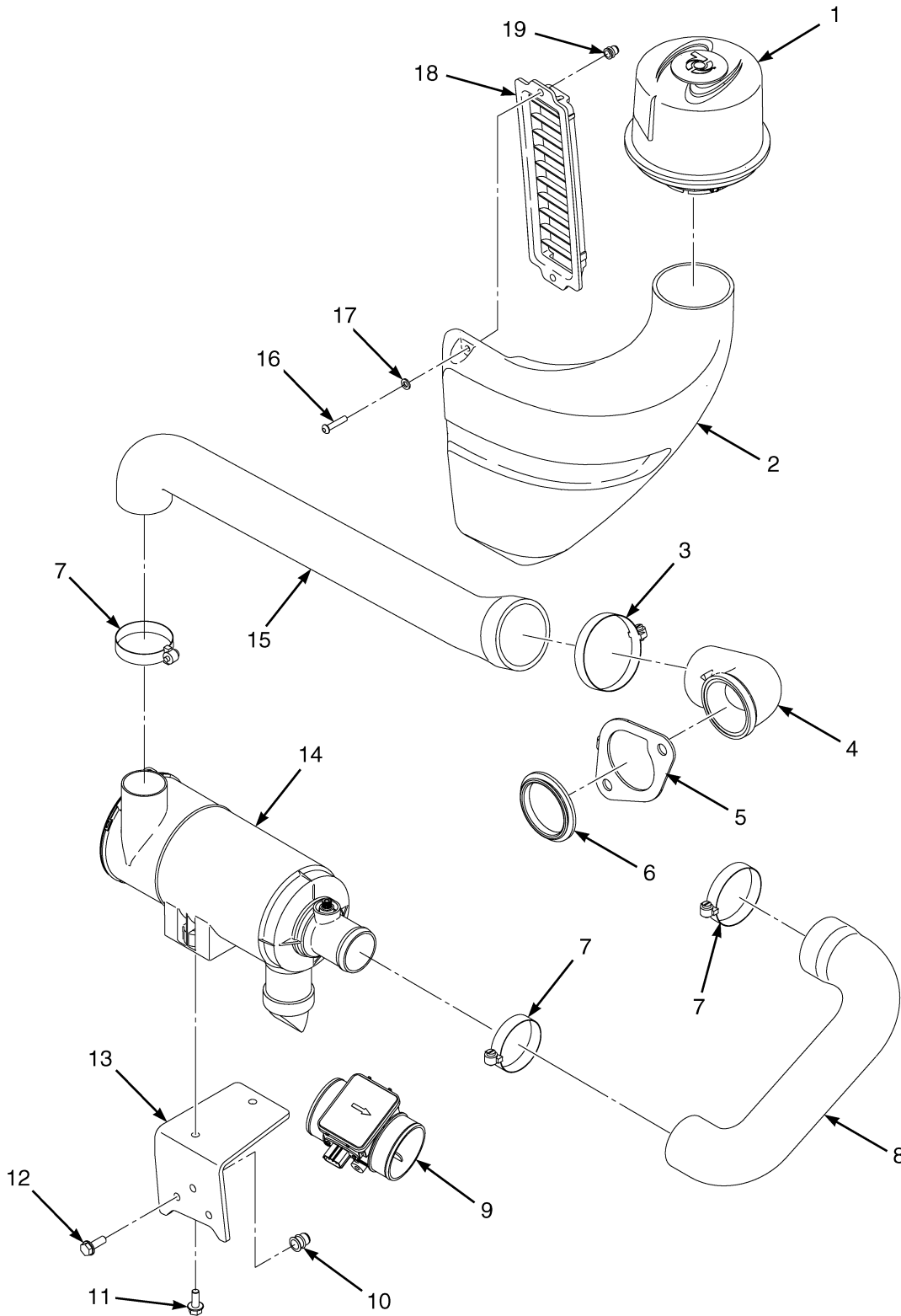
KEY:

A: Yanmar Diesel and GM LPG Engines

B: Mazda LPG Engines

ITEM	PART NO.	DESCRIPTION	QTY	
			A	B
	2055193	Air Cleaner Assembly	1
	1501855	Air Cleaner Assembly	1	..
1	141331	Cap.....	1	1
2	374923	Valve.....	1	1
3	1559418	Filter	1
3	1574111	Filter	1	..
4	1559419	Liner (with O-Ring)	1
4	1574260	Liner (with O-ring)	1	..
5	1559420	Cover	1
5	1574131	Cover	1	..

AIR INTAKE AND FILTER SYSTEM (Figure 3-2) MAZDA 2.0L AND 2.2L LPG

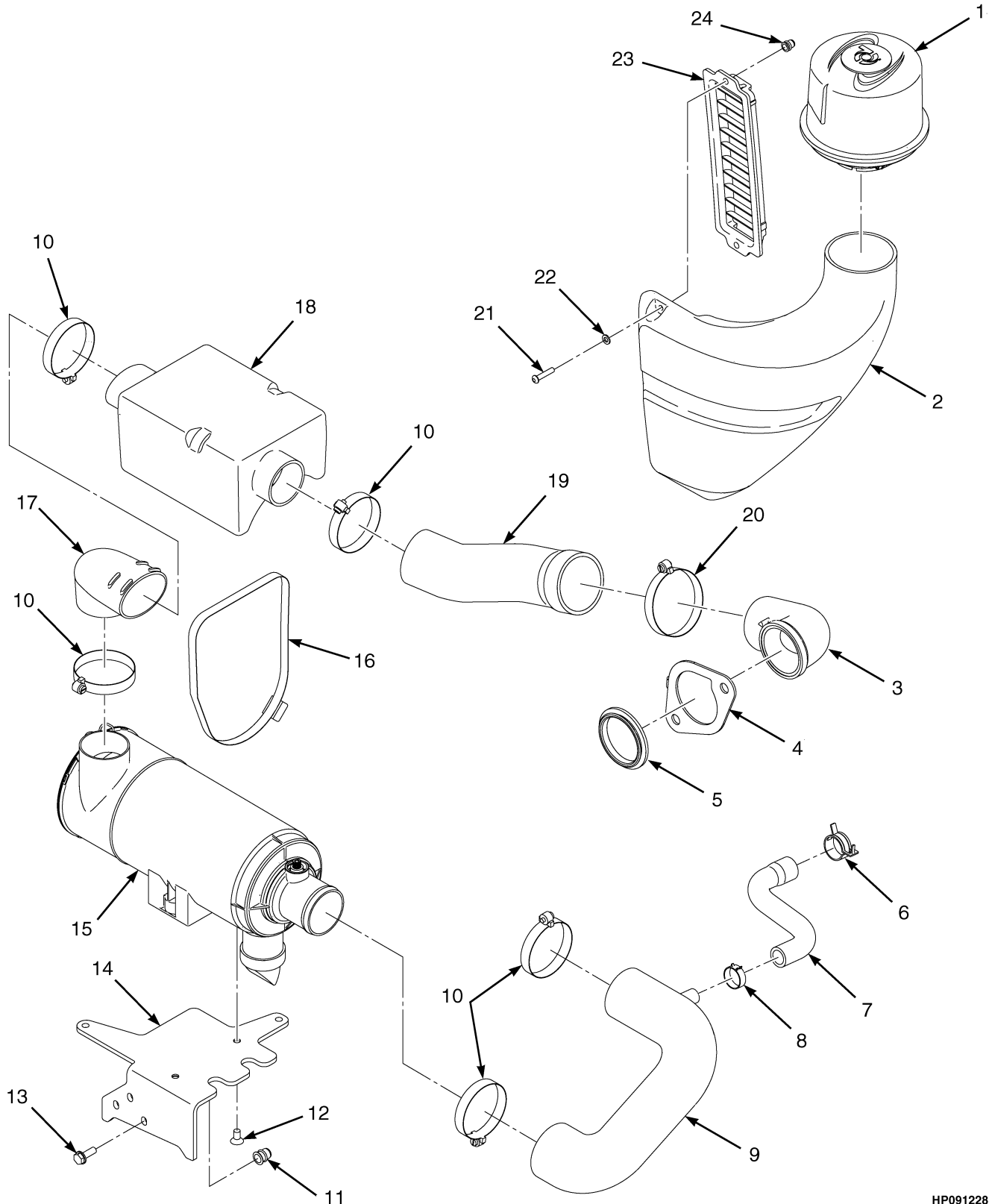


HP091231

**AIR INTAKE AND FILTER SYSTEM
MAZDA 2.0L AND 2.2L
LPG**

ITEM	PART NO.	DESCRIPTION	QTY
1	1501888	Pre-Cleaner	1
2	1565201	Air Duct.....	1
3	115696	Clamp	1
4	1581438	Elbow.....	1
5	1581439	Retainer (Elbow).....	1
6	1502079	Grommet.....	1
7	112989	Clamp	3
8	1501835	Hose	1
9	1501629	Sensor (Mass Air Flow)	1
10	1530243	Insert.....	3
11	1527880	Capscrew.....	2
12	1583611	Capscrew.....	3
13	1501848	Bracket.....	1
14	2055193	Air Cleaner Assembly (See Figure 3-1)	1
15	1502034	Hose	1
16	2071261	Capscrew.....	2
17	1506738	Washer	2
18	2067476	Grill	1
19	1531558	Insert.....	2

AIR INTAKE AND FILTER SYSTEM (Figure 3-3) GM 2.4L LPG



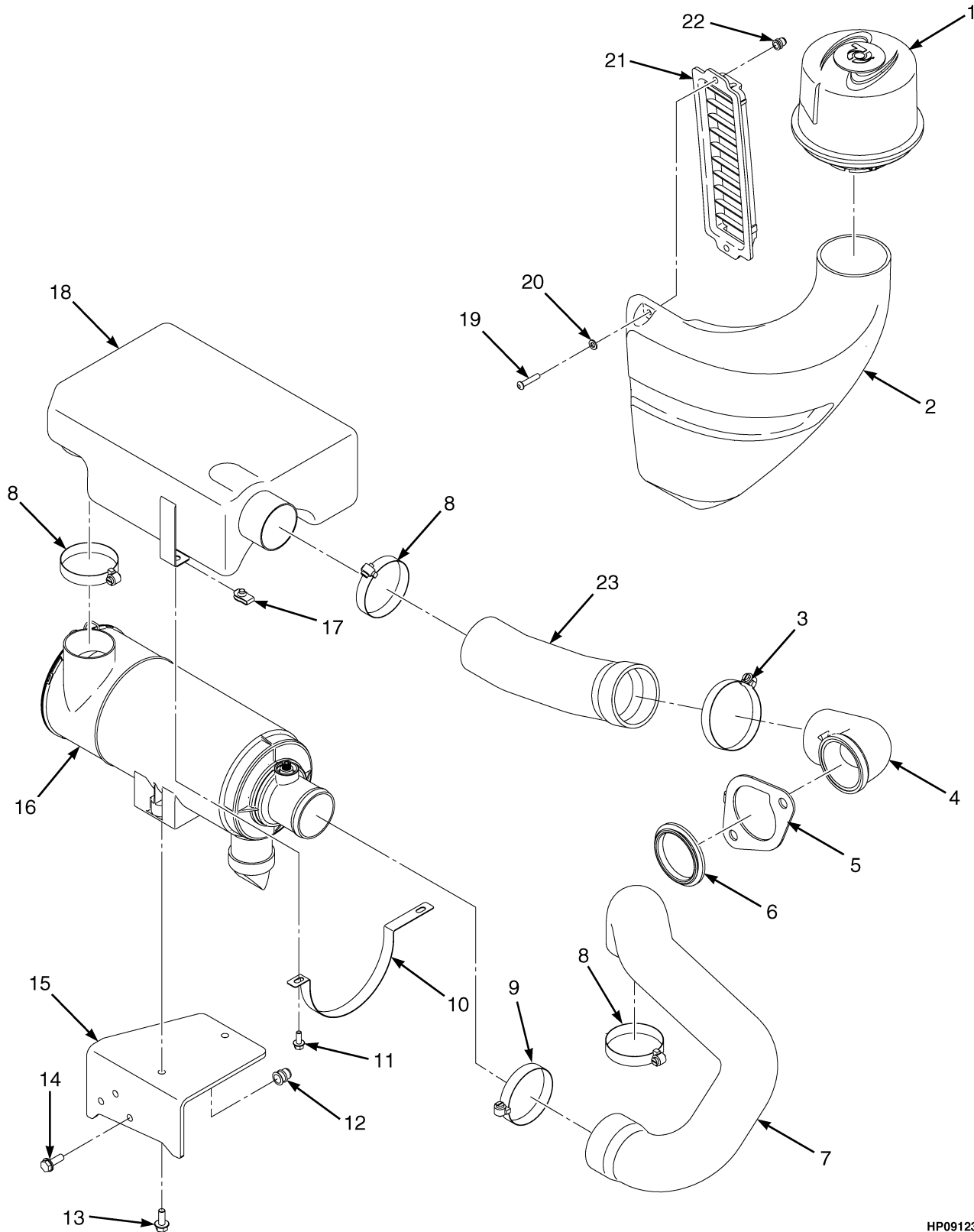
HP091228

AIR INTAKE AND FILTER SYSTEM

GM 2.4L LPG

ITEM	PART NO.	DESCRIPTION	QTY
1	1501888	Pre-Cleaner	1
2	1565201	Air Duct.....	1
3	1581438	Elbow.....	1
4	1581439	Retainer.....	1
5	1502079	Grommet.....	1
6	1501997	Clamp	1
7	1501887	Hose	1
8	353199	Clamp	1
9	1501837	Hose	1
10	112989	Clamp	5
11	1530243	Insert.....	3
12	296481	Screw.....	2
13	1583611	Capscrew.....	3
14	1582159	Bracket.....	1
15	1501855	Air Cleaner Assembly (☞ Figure 3-1)	1
16	1580068	Strap	1
17	1565199	Elbow	1
18	1565200	Silencer.....	1
19	1565212	Hose	1
20	115696	Clamp	1
21	2071261	Capscrew.....	2
22	1506738	Washer	2
23	2067476	Grill	1
24	1531558	Insert.....	2

AIR INTAKE AND FILTER SYSTEM (Figure 3-4) YANMAR 2.6L AND 3.3L DIESEL



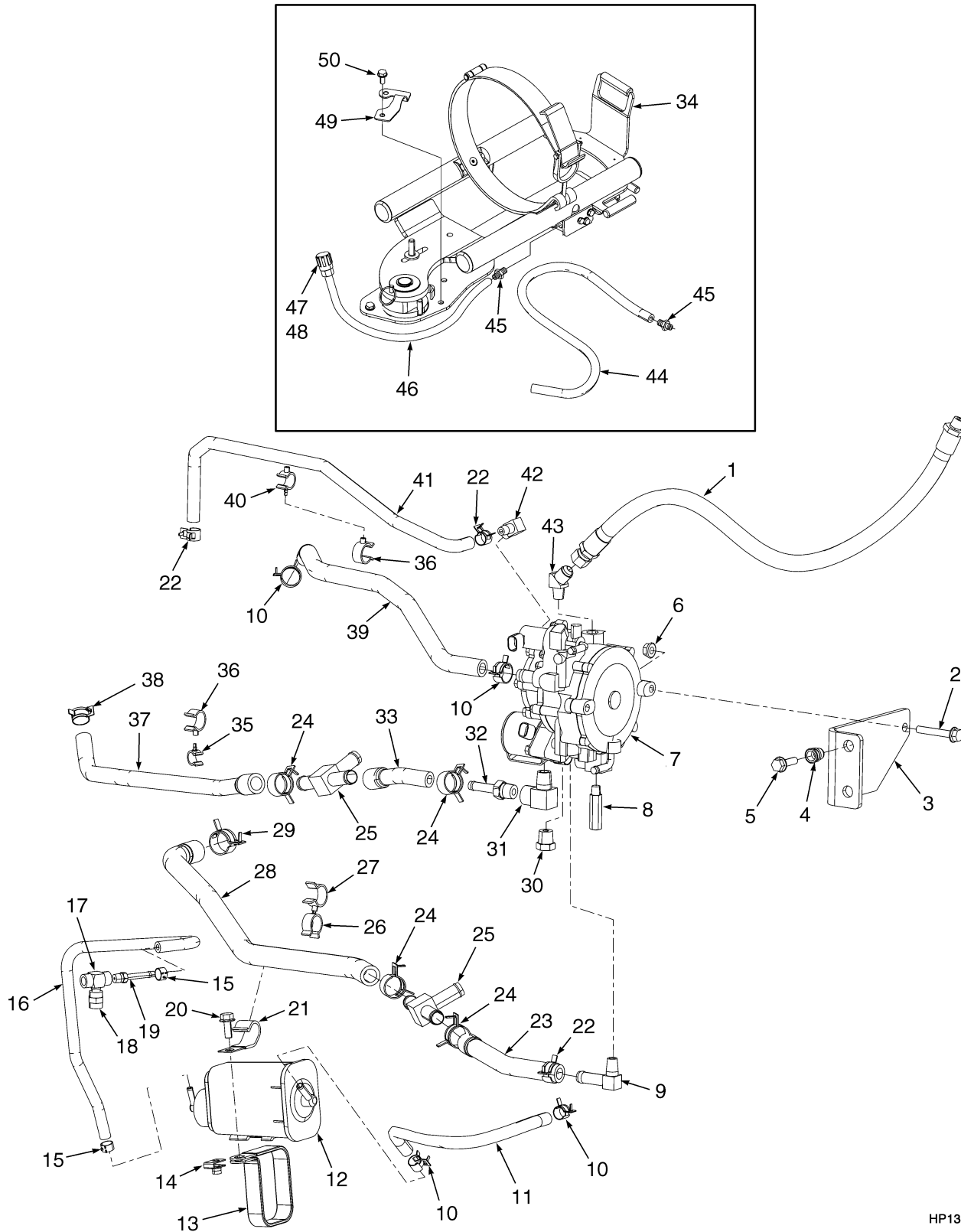
HP091232

AIR INTAKE AND FILTER SYSTEM

YANMAR 2.6L AND 3.3L DIESEL

ITEM	PART NO.	DESCRIPTION	QTY
1	1501888	Pre-Cleaner	1
2	1565201	Air Duct.....	1
3	115696	Clamp	1
4	1581438	Elbow.....	1
5	1581439	Retainer (Elbow).....	1
6	1502079	Grommet.....	1
7	2075783	Hose	1
8	112989	Clamp	3
9	1394008	Clamp	1
10	1589542	Strap	1
11	1527876	Capscrew.....	2
12	1530243	Insert.....	3
13	1527880	Capscrew.....	2
14	1583611	Capscrew.....	3
15	1501849	Bracket.....	1
16	1501855	Air Cleaner Assembly (☞ Figure 3-1)	1
17	1566420	Clip Nut.....	2
18	2078092	Silencer.....	1
19	2071261	Capscrew.....	2
20	1506738	Washer	2
21	2067476	Grill	1
22	1531558	Insert.....	2
23	1565212	Hose	1

FUEL SYSTEM (Figure 3-5) MAZDA 2.0L AND 2.2L LPG



HP130356

**FUEL SYSTEM
MAZDA 2.0L AND 2.2L
LPG****KEY:****A: With Cab****B: With Overhead Guard**

ITEM	PART NO.	DESCRIPTION	QTY	
			A	B
1	2072300	Hose	1	1
2	1510115	Capscrew.....	2	2
3	1502069	Bracket (Regulator).....	1	1
4	1530243	Insert.....	2	2
5	1527881	Capscrew.....	2	2
6	1502543	Nut (Flange).....	2	2
7	1594144	Regulator Lockout.....	1	1
8	1502058	Fitting.....	1	1
9	16788	Fitting.....	1	1
10	1502003	Clamp	4	4
11	260878	Hose	1	1
12	1471694	Resonator	1	1
13	1475409	Clamp	1	1
14	1480237	Clip Nut.....	1	1
15	369815	Clamp	2	2
16	1502085	Hose	1	1
17	16199	Fitting.....	1	1
18	16168	Fitting.....	1	1
19	1502027	Nipple	1	1
20	1527880	Capscrew.....	1	1
21	1339452	Clamp	1	1
22	1502007	Clamp	3	3
23	2071303	Hose	1	1
24	1501994	Clamp	2	..
25	366000	Nipple	1	1
26	1502066	Clamp	1	1
27	1502054	Clamp	1	1
28	1502082	Hose	1
28	2071302	Hose	1	..
29	1501995	Clamp	1	1
30	16143	Fitting.....	1	1
31	63108	Fitting.....	1	1
32	1502005	Clamp	4	2
33	141776	Fitting.....	1	1
34	2080338	Hose	1	1
35	1608989	Nipple	1	1
36	1502055	Clamp	1	1
37	1502053	Clamp	2	2
38	1502083	Hose	1
38	2070784	Hose	1	..
39	1502081	Hose	1	1
40	1543691	Clamp (Swivel).....	1	1
41	1502084	Hose	1	1
42	15971	Fitting.....	1	1
43	16863	Fitting.....	1	1

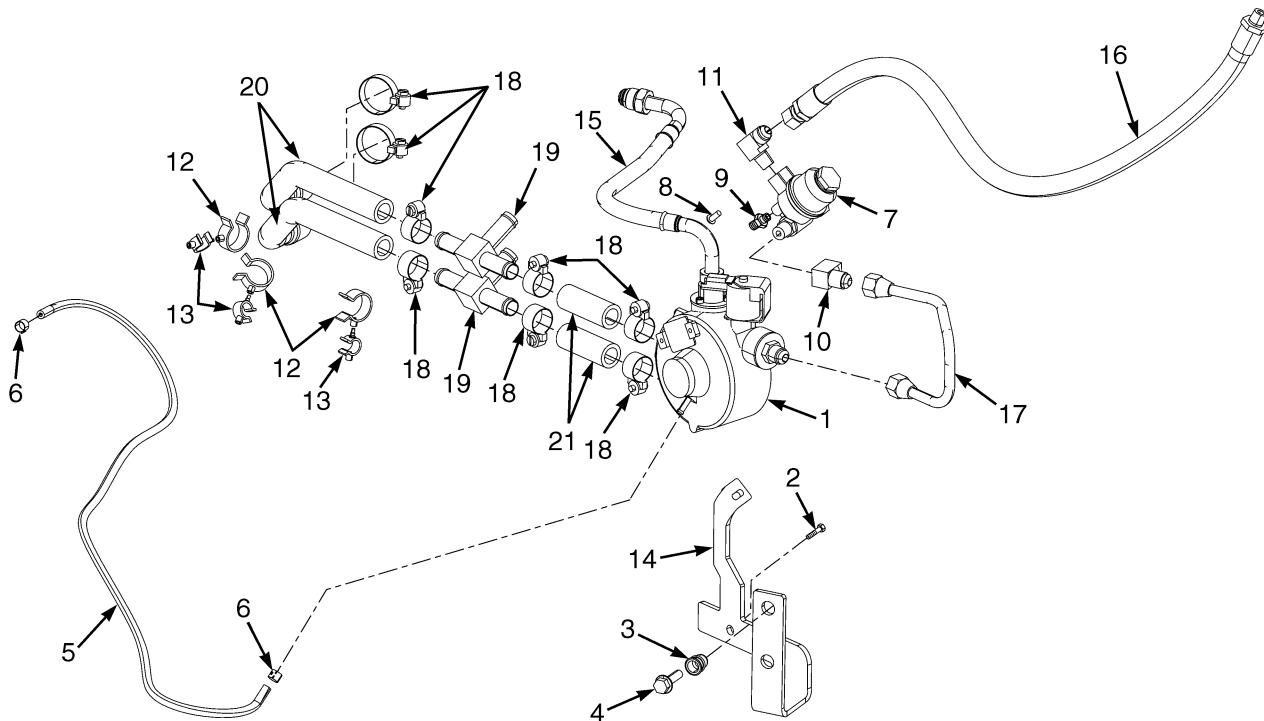
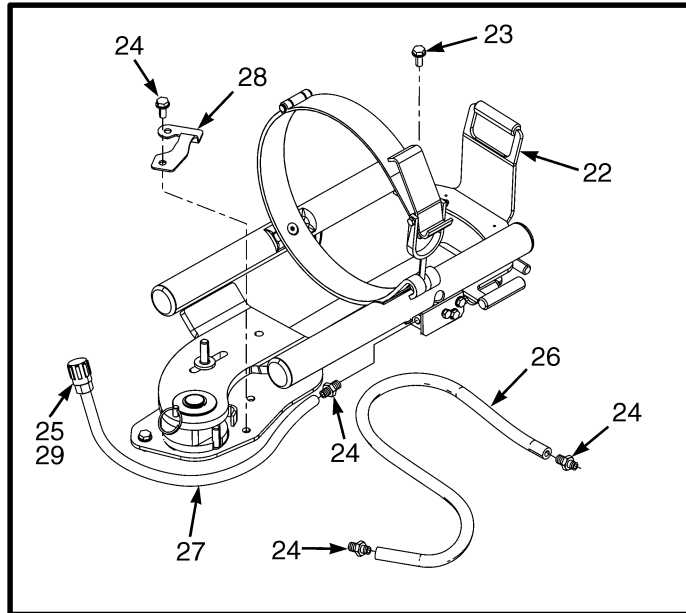
FUEL SYSTEM MAZDA 2.0L AND 2.2L LPG

ITEM	PART NO.	DESCRIPTION	QTY	
			A	B
44	2072298	Hose	1	1
45	16134	Fitting.....	2	2
46	2058426	Hose	1	1
47	97999	Disconnect.....	1	1
48	2071517	Sleeve.....	1	1
49	a 1564061	Bracket.....	1	1
50	1586013	Capscrew.....	4	4
51	1519360	LPG Bracket Assembly (EZXchange).....	1	1
51	1582409	LPG Bracket Assembly (Swing Out).....	1	1

FOOTNOTES:

a For Use With Swing Out Bracket Only

FUEL SYSTEM (Figure 3-6) GM 2.4L LPG



BP080378

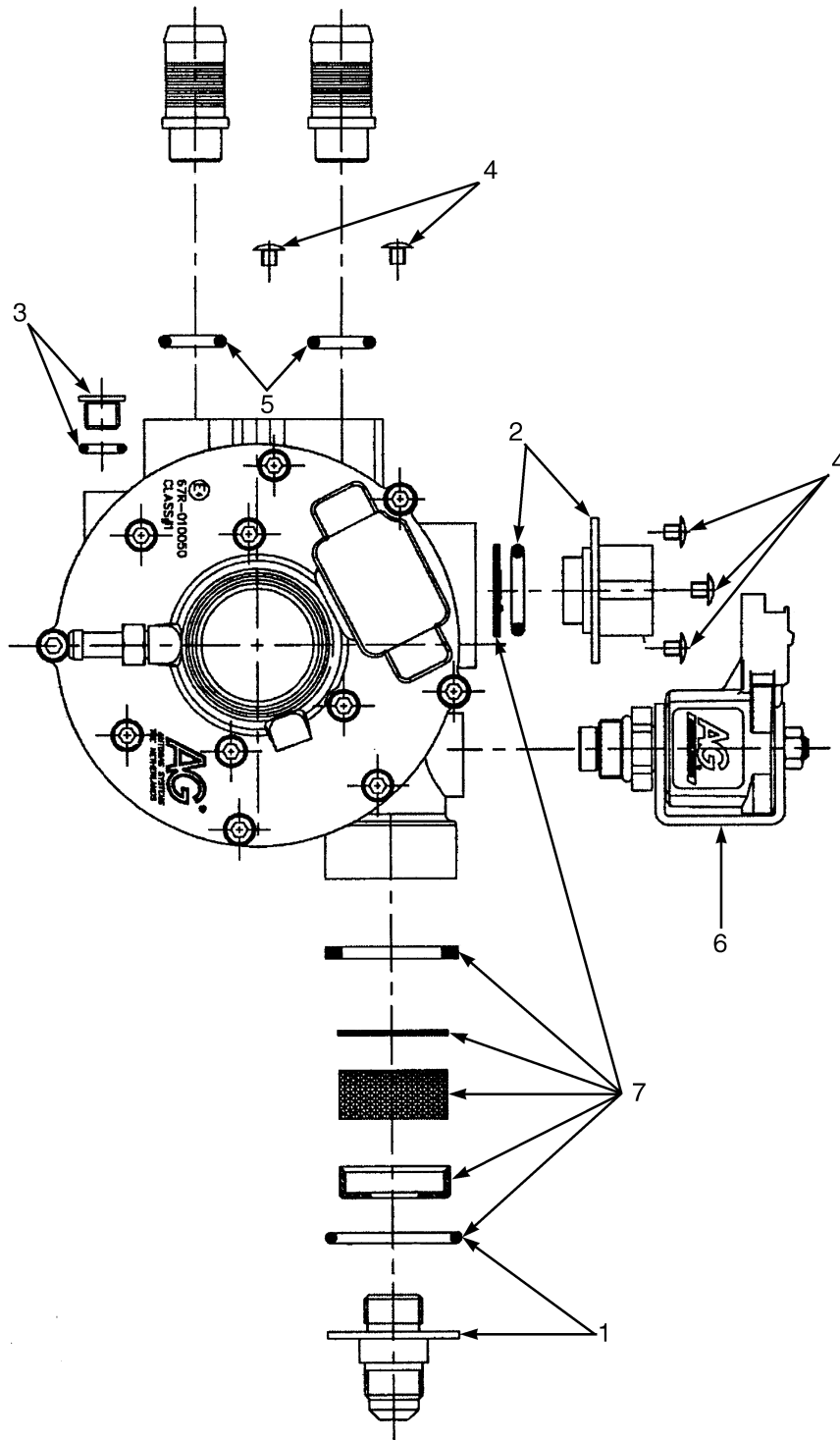
**FUEL SYSTEM
GM 2.4L
LPG**

ITEM	PART NO.	DESCRIPTION	QTY
1	2056762	Regulator (LPG) (☞ Figure 3-7)	1
2	1529366	Capscrew.....	1
3	1530243	Insert.....	2
4	1527881	Capscrew.....	2
5	1347166	Hose	1
6	366473	Clamp	2
7	2070100	Fuel Filter (LPG)	1
7	1581302	Fuel Filter Kit	1
8	296152	Capscrew.....	2
9	16151	Fitting.....	1
10	14372	Fitting.....	1
11	14358	Fitting.....	1
12	1542436	Clamp	3
13	1542439	Clamp	3
14	1578965	Bracket.....	1
15	2064431	Hose	1
16	2072300	Hose	1
17	2072299	Tube	1
18	a 130845	Clamp	8
18	b 130845	Clamp	4
19	a 366000	Nipple	2
20	a 2072894	Hose	2
20	b 2072895	Hose	2
21	a 2070782	Hose	2
22	1519360	LPG Bracket Assembly (EZXchange).....	1
22	1582409	LPG Bracket Assembly (Swing Out).....	1
23	1586013	Capscrew.....	4
24	16134	Fitting.....	2
25	97999	Disconnect.....	1
26	2072298	Hose	1
27	2058426	Hose	1
28	c 1564061	Bracket.....	1
29	2071517	Sleeve.....	1

FOOTNOTES:

- a** For Vehicles With Cab
- b** For Vehicles With Overhead Guard
- c** For Vehicles With Swing Out Bracket

LPG REGULATOR (Figure 3-7) GM 2.4L

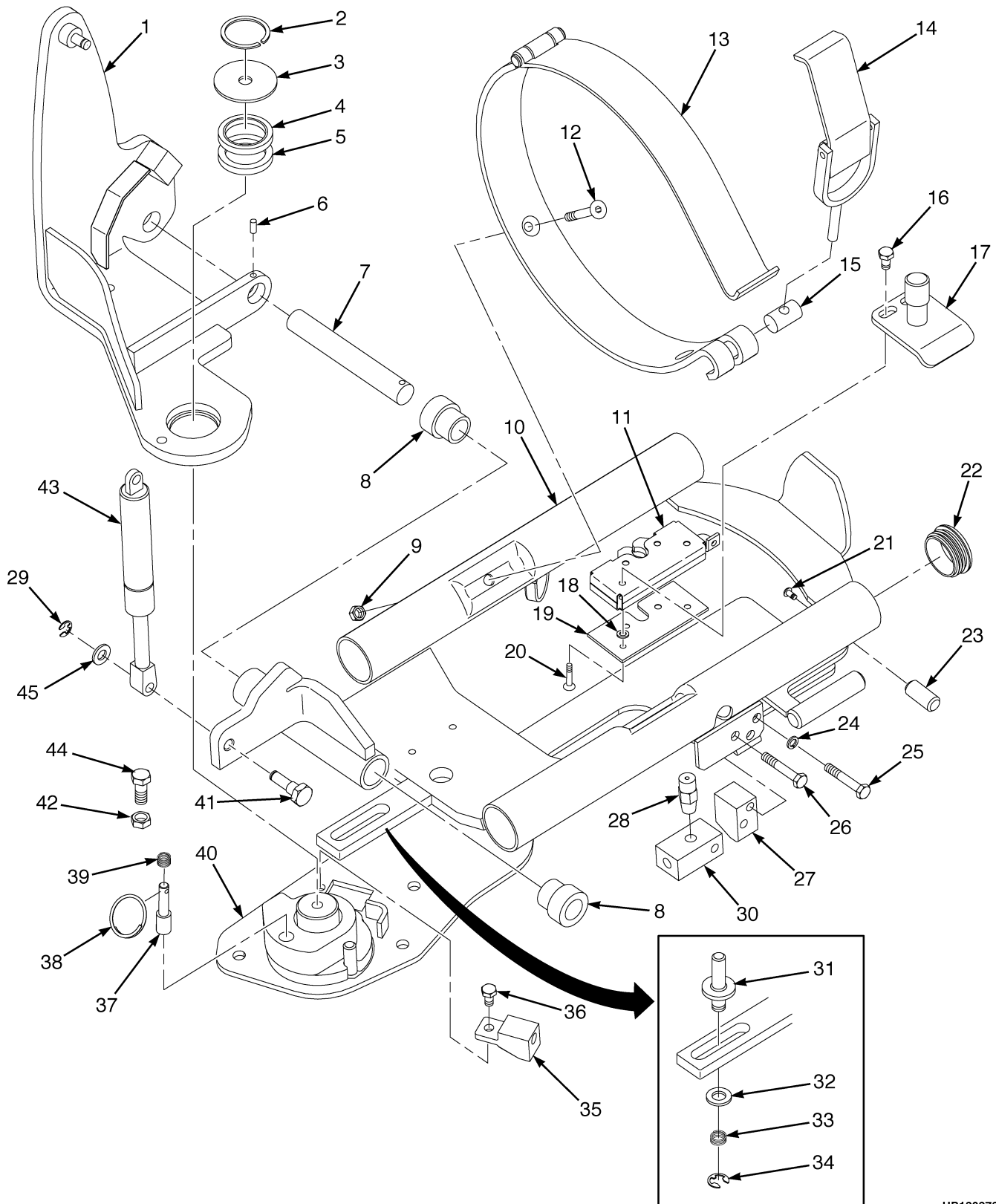


HP130352

**LPG REGULATOR
GM 2.4L**

ITEM	PART NO.	DESCRIPTION	QTY
	2056762	Regulator (LPG)	1
1	1581762	Fitting (Inlet Fitting With O-Ring)	1
2	1581763	Fitting (Outlet Fitting With O-Ring)	1
3	1581764	Drain Plug (With O-Ring).....	1
4	1585751	Screw Kit (Includes 5 Connector Screws)	1
5	1585748	O-Ring Kit (Includes 2 Coolant Fitting O-Rings).....	1
6	1585747	Lock-Off Kit.....	1
7	1581761	Filter Replacement Kit	1
7	O-Ring.....	1
7	Plastic Cap	1
7	Foam Filter	1
7	Paper Filter.....	1
7	Rubber Washer	1
7	Screen.....	1

LPG BRACKET ASSEMBLY (Figure 3-8) EZXCANGE BRACKET

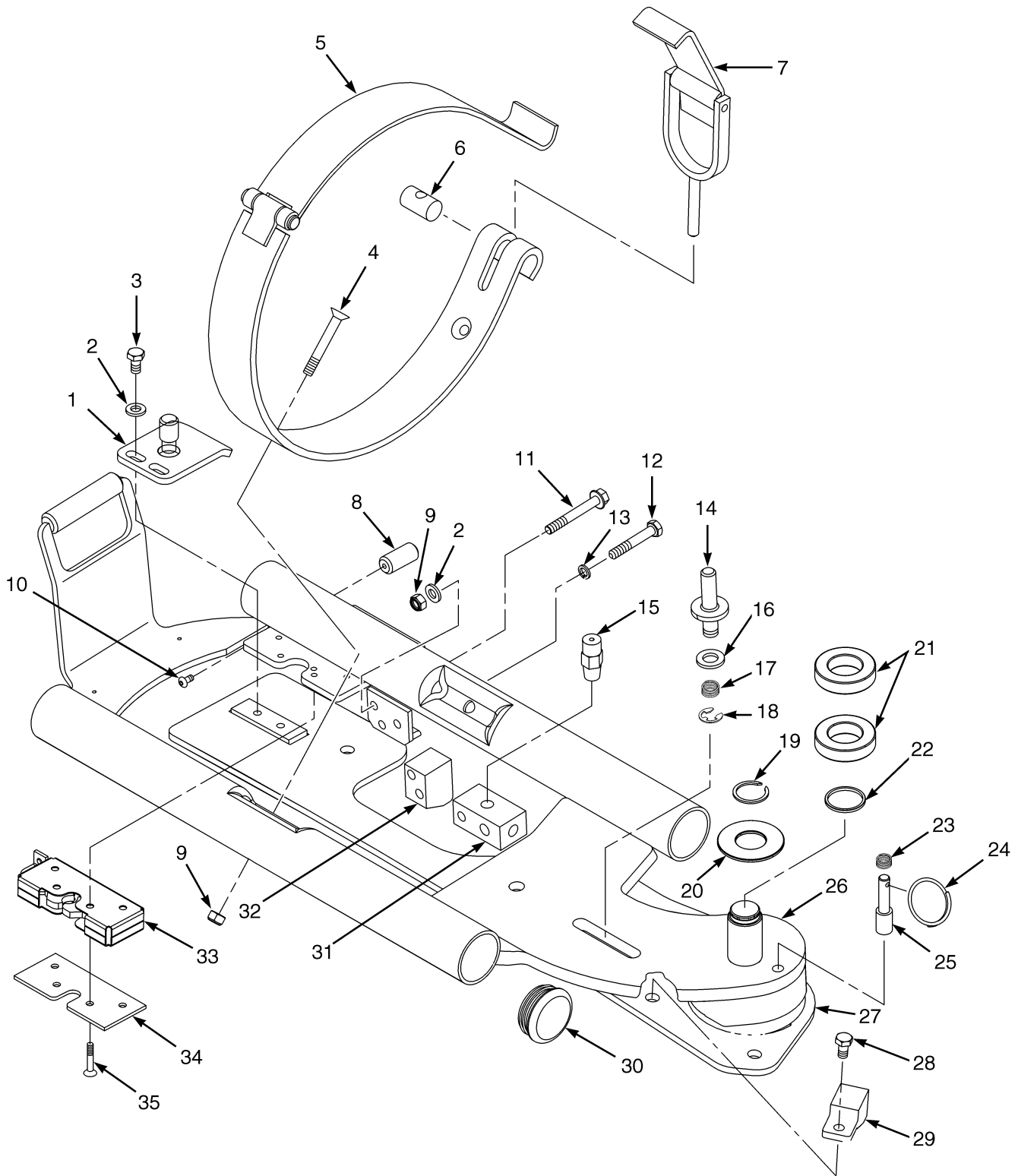


HP130373

**LPG BRACKET ASSEMBLY
EZEXCHANGE BRACKET**

ITEM	PART NO.	DESCRIPTION	QTY
	1519360	LPG Bracket Assembly	1
1	1517437	Pivot (Intermediate)	1
2	34507	Snap Ring	1
3	1568839	Washer (Pivot)	1
4	184451	Ball Bearing	2
5	1568853	Washer (Thrust)	1
6	302363	Pin	1
7	1581887	Shaft	1
8	1581888	Bushing	2
9	1581739	Nut	4
10	1517438	Support	1
11	1517405	Latch	1
12	1581733	Capscrew	2
13	1525441	Strap	1
14	1586458	Latch	1
14	1383573	Fork	1
14	147288	Lever	1
14	196298	Pin	1
14	1581744	Capscrew	1
14	1581773	Nut	1
15	147294	Nut (Adjustment)	1
16	1581885	Capscrew	2
17	1534649	Pin Weldment	1
18	1581556	Washer	4
19	1534674	Plate	1
20	1581899	Capscrew	4
21	1581740	Capscrew	1
22	1398099	Plug	4
23	1534677	Pin	1
24	1581898	Washer	1
25	1585835	Capscrew	2
26	1581583	Capscrew	1
27	1534679	Block (Anti-Rattle)	1
28	101809	Relief Valve	1
29	1525442	Retaining Ring	2
30	1534675	Fitting (Bulkhead)	1
31	1525459	Pin (Alignment)	1
32	1581559	Washer	1
33	1528899	Compression Spring	1
34	182118	Retaining Ring	1
35	1525451	Fitting (Bulkhead)	1
36	1581579	Capscrew	1
37	1534671	Pin	1
38	1534672	Ring	1
39	1528903	Compression Spring	1
40	1568844	Base	1
41	1525478	Pin	1
42	1581848	Nut	1
43	1402414	Gas Spring	1
44	1586022	Capscrew	1
45	1581557	Washer	2

LPG BRACKET ASSEMBLY (Figure 3-9) SWING OUT BRACKET

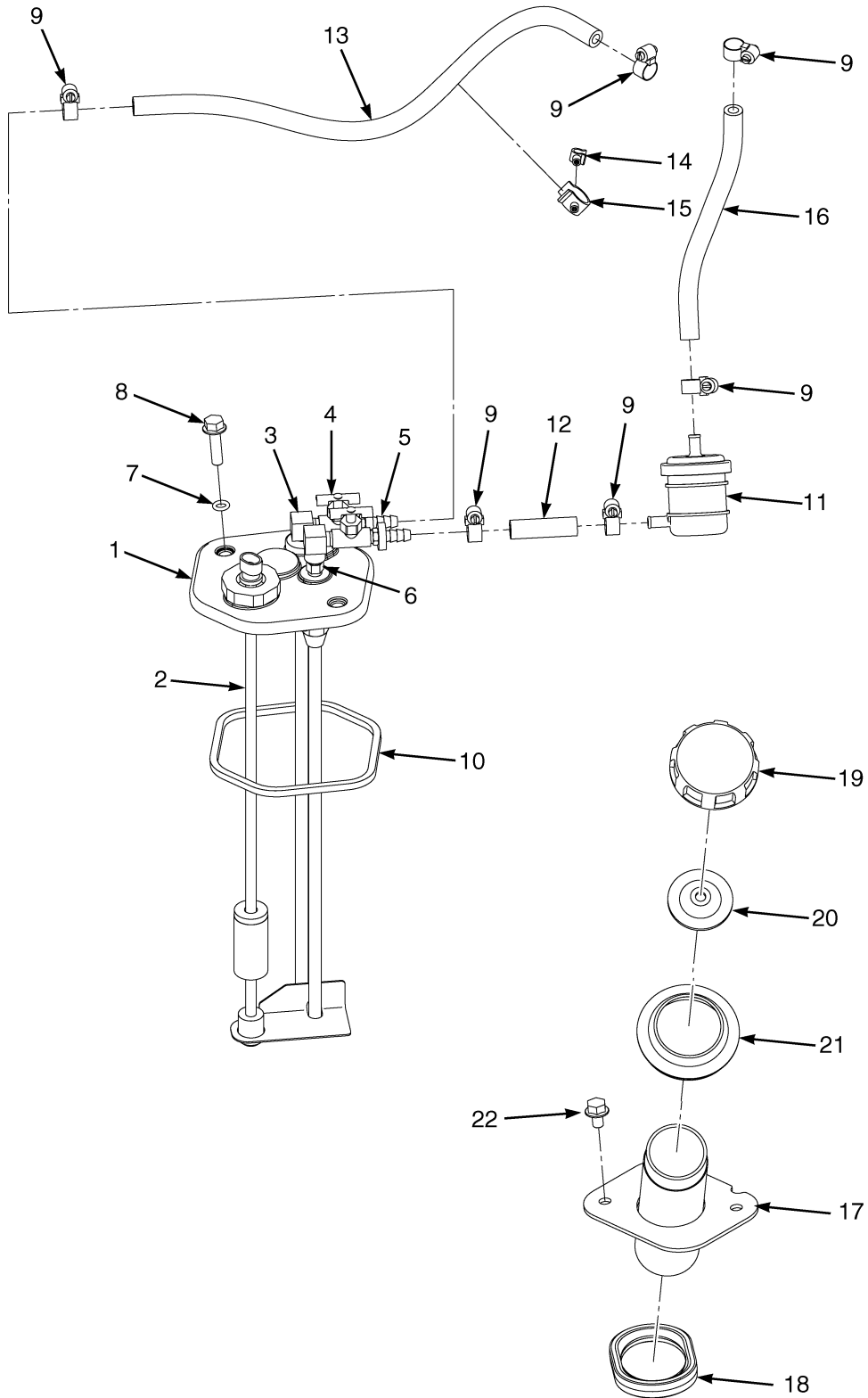


HP130344

**LPG BRACKET ASSEMBLY
SWING OUT BRACKET**

ITEM	PART NO.	DESCRIPTION	QTY
	1582409	LPG Bracket Assembly	1
1	1534649	Pin Weldment	1
2	1581556	Washer	2
3	1581885	Capscrew	2
4	1581733	Capscrew	2
5	1525441	Strap	1
6	147294	Nut (Adjusting)	1
7	1586458	Latch	1
7	1383573	Fork	1
7	147288	Lever	1
7	196298	Pin	1
7	1581744	Capscrew	1
7	1581773	Nut	1
8	1534677	Pin	1
9	1581739	Nut	4
10	1581740	Capscrew	1
11	1585835	Capscrew	2
12	1581583	Capscrew	1
13	1581898	Washer	1
14	1525459	Pin (Alignment)	1
15	101809	Relief Valve	1
16	1581559	Washer	1
17	1528899	Compression Spring	1
18	182118	Retaining Ring	1
19	34507	Snap Ring	1
20	1568839	Washer (Pivot)	1
21	184451	Ball Bearing	2
22	1568853	Washer	1
23	1528903	Compression Spring	1
24	1534672	Ring	1
25	1534671	Pin	1
26	1582410	Support (Tank)	1
27	1568844	Base	1
28	1581579	Capscrew	1
29	1525451	Fitting (Bulkhead)	1
30	1398099	Plug	4
31	1534675	Fitting (Bulkhead)	1
32	1534679	Block (Anti-Rattle)	1
33	1517405	Latch	1
34	1534674	Plate	1
35	1581899	Capscrew	4

FUEL SYSTEM (Figure 3-10) YANMAR 2.6L AND 3.3L DIESEL

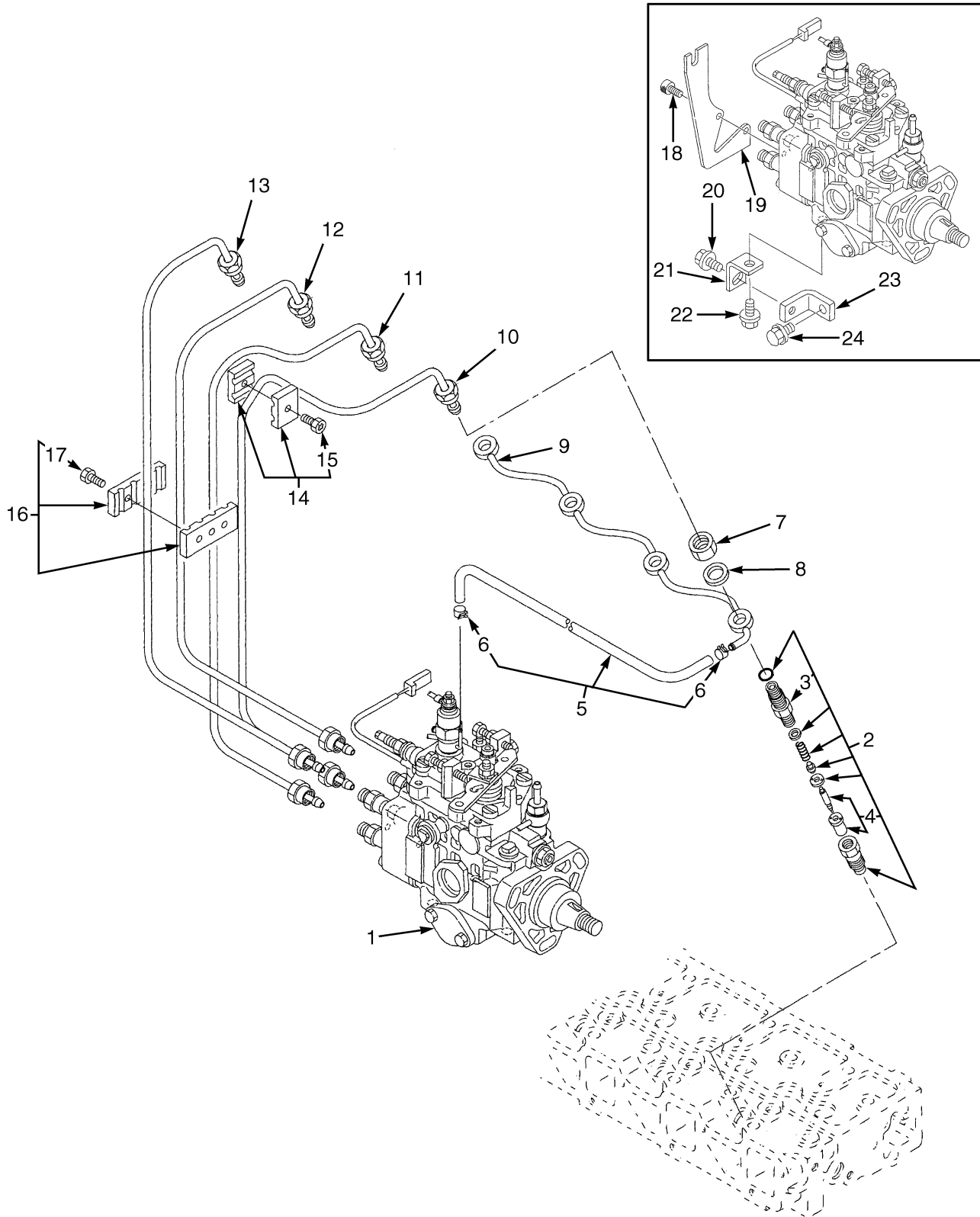


HP130381

**FUEL SYSTEM
YANMAR 2.6L AND 3.3L
DIESEL**

ITEM	PART NO.	DESCRIPTION	QTY
1	1532532	Fuel Pump Assembly.....	1
2	1501811	Fuel Sender.....	1
3	17650	Fitting.....	1
4	87446	Valve (Shut-Off).....	2
5	309651	Fitting.....	2
6	16151	Fitting.....	1
7	353000	O-Ring	2
8	1527881	Capscrew.....	2
9	168718	Clamp	6
10	1528893	Quadrant Ring	1
11	1586457	Fuel Filter.....	1
12	2062587	Hose	1
13	260878	Hose	1
14	1542440	Clamp (Swivel).....	1
15	1543691	Clamp (Swivel).....	1
16	2075360	Hose	1
17	1564392	Pipe (Fill)	1
18	1528314	Seal	1
19	2069453	Fuel Cap	1
20	2021683	Gasket	1
21	1528608	Grommet.....	1
22	1529366	Capscrew.....	2

FUEL INJECTION SYSTEM (Figure 3-11) YANMAR 2.6L AND 3.3L DIESEL

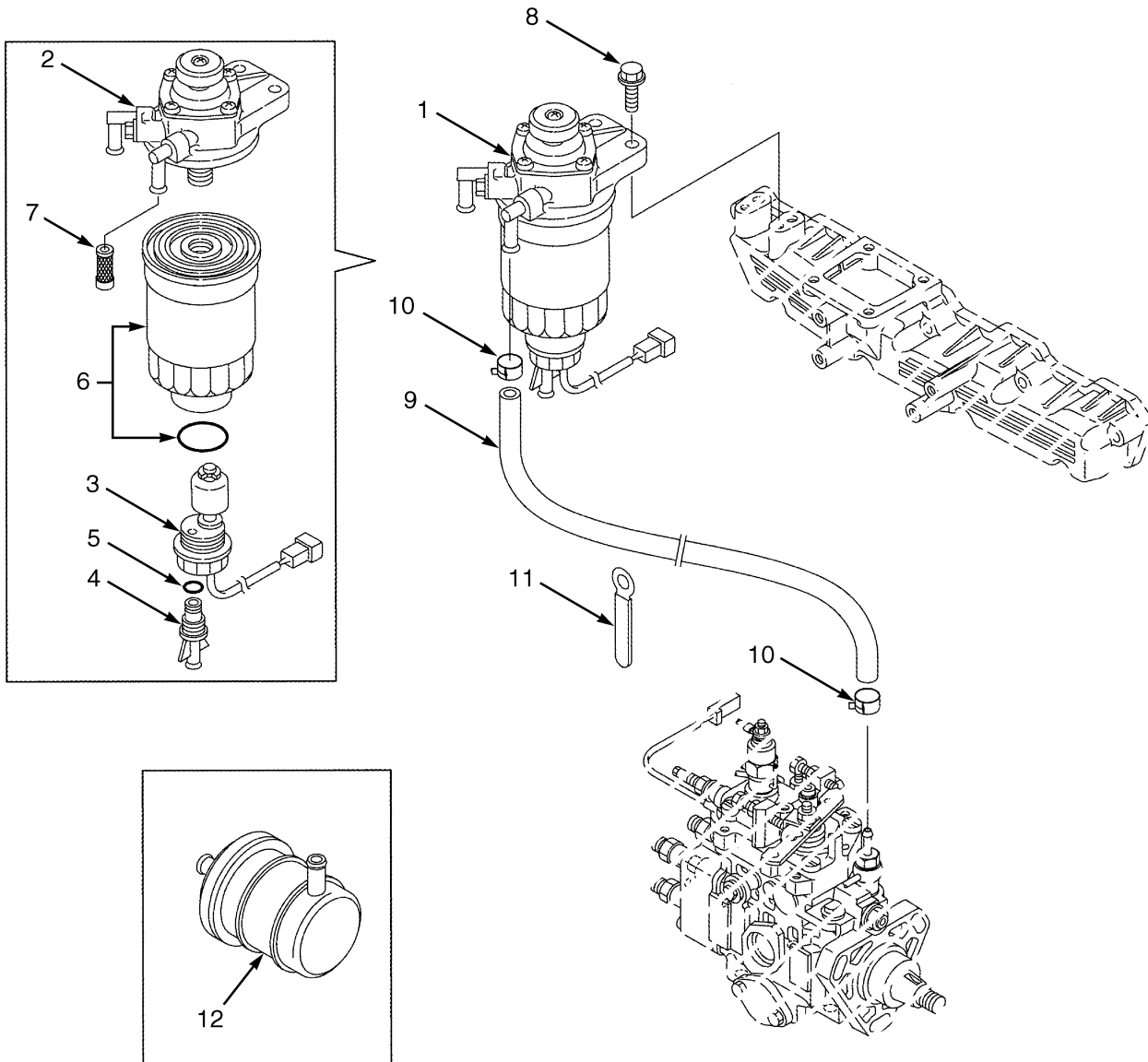


BP090190

FUEL INJECTION SYSTEM YANMAR 2.6L AND 3.3L DIESEL

ITEM	PART NO.	DESCRIPTION	QTY
	1501687	Engine Assembly (2.6L).....	1
	1501690	Engine Assembly (3.3L).....	1
1	1599901	Fuel Injection Pump (2.6L)	1
1	1600084	Fuel Injection Pump (3.3L)	1
1	1608616	Solenoid (Fuel Shut-Off) (3.3L).....	1
1	1608617	O-Ring	1
1	1597644	Solenoid Valve (Cold Start).....	1
1	1600093	O-Ring.....	1
2	1599818	Fuel Injector Assembly	4
3	1599820	Retainer	1
4	1599819	Nozzle	1
5	1599828	Pipe	1
6	1599829	Clamp.....	2
7	1599832	Nut.....	4
8	1599831	Gasket.....	4
9	1599830	Pipe (Fuel Return).....	1
10	1599827	Pipe (#4).....	1
11	1599826	Pipe (#3).....	1
12	1599825	Pipe (#2).....	1
13	1599824	Pipe (#1).....	1
14	1599821	Retainer.....	2
15	1599822	Bolt.....	1
16	1599823	Retainer.....	1
17	1599822	Bolt.....	2
18	1599908	Bolt	2
19	1599907	Bracket	1
20	1599912	Bolt	1
21	1599909	Retainer.....	1
22	1599911	Bolt	1
23	1599910	Bracket	1
24	1599913	Bolt	1
	1599898	Gasket Set (Includes Item 8)	1
	1600085	Gasket Set (Includes Item 8)	1

FUEL FILTER AND WATER SEPARATOR (Figure 3-12) YANMAR 2.6L AND 3.3L DIESEL

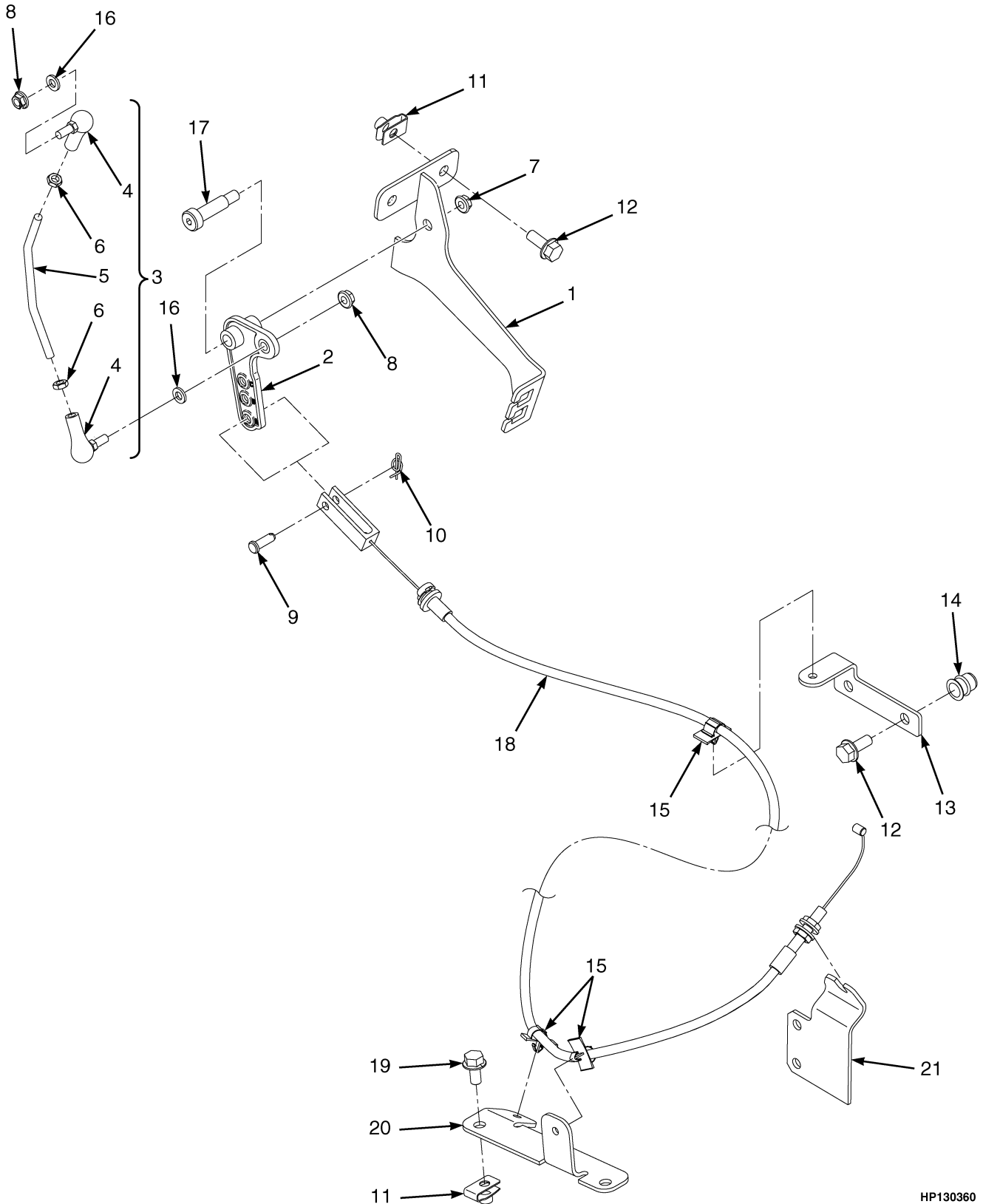


BP090191

**FUEL FILTER AND WATER SEPARATOR
YANMAR 2.6L AND 3.3L
DIESEL**

ITEM	PART NO.	DESCRIPTION	QTY
	1501687	Engine Assembly (2.6L).....	1
	1501690	Engine Assembly (3.3L).....	1
1	1599833	Water Separator	1
2	1599834	Body	1
3	1599835	Sensor.....	1
4	1599836	Plug.....	1
5	1599837	O-Ring.....	1
6	1599838	Element Kit.....	1
7	1599839	Filter	1
8	1599801	Bolt	2
9	1599841	Pipe	1
10	1599842	Clamp	2
11	1599843	Clamp	2
12	1586457	Fuel Filter	1

THROTTLE CABLE ASSEMBLY (Figure 3-13) MAZDA 2.0L AND 2.2L LPG

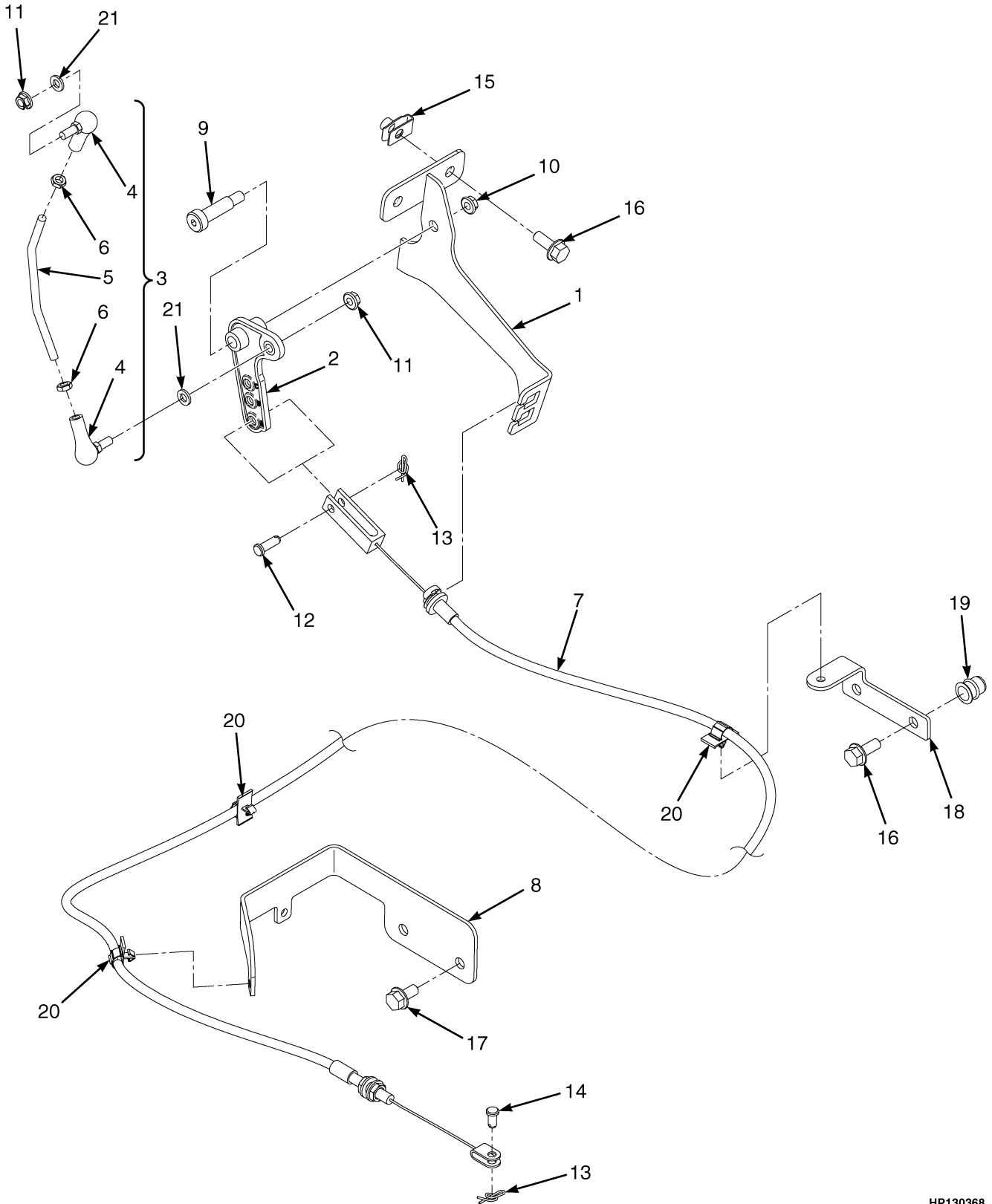


HP130360

**THROTTLE CABLE ASSEMBLY
MAZDA 2.0L AND 2.2L
LPG**

ITEM	PART NO.	DESCRIPTION	QTY
1	1609374	Bracket (Throttle Cable).....	1
2	1538162	Bellcrank.....	1
3	1538782	Push Rod Assembly	1
4	2027949	Joint Ball.....	2
5	1538490	Pushrod.....	1
6	2308541	Jam Nut.....	2
7	302400	Locknut.....	1
8	1514429	Nut (Flange).....	2
9	126	Rod End Pin	1
10	1517361	Cotter Pin.....	1
11	1480237	Clip Nut.....	4
12	1527880	Capscrew.....	4
13	1542082	Bracket.....	1
14	1530243	Insert.....	2
15	1562088	Clip	3
16	320156	Washer	2
17	1399802	Bolt	1
18	2067395	Cable	1
19	1527879	Capscrew.....	2
20	1542555	Bracket.....	1
21	1535136	Bracket (Throttle Cable).....	1

THROTTLE CABLE ASSEMBLY (Figure 3-14) YANMAR 2.6L AND 3.3L DIESEL

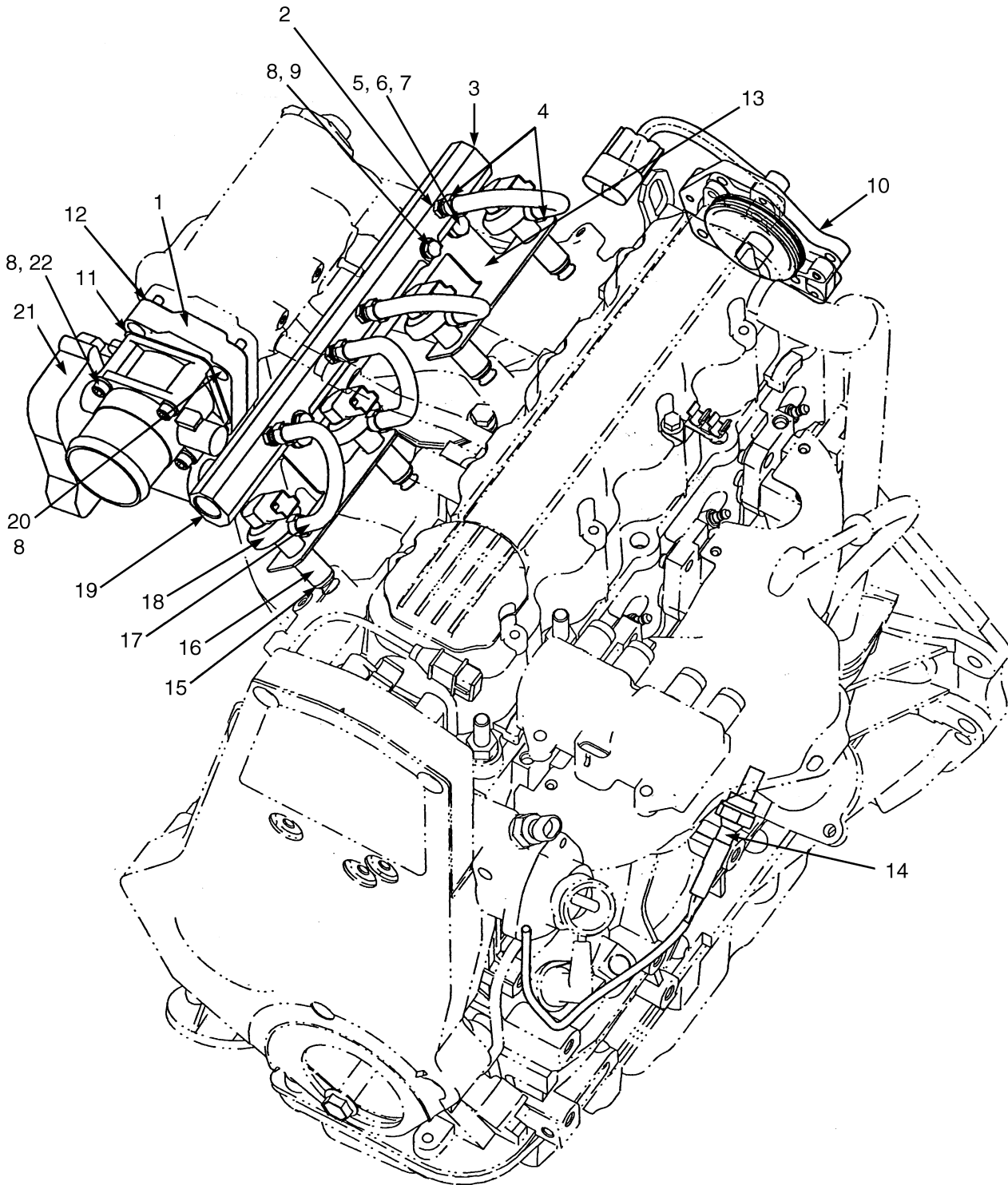


HP130368

**THROTTLE CABLE ASSEMBLY
YANMAR 2.6L AND 3.3L
DIESEL**

ITEM	PART NO.	DESCRIPTION	QTY
1	1539298	Bracket (Throttle Cable).....	1
2	1538162	Bellcrank.....	1
3	1538782	Push Rod Assembly	1
4	2027949	Joint Ball.....	2
5	1538490	Pushrod.....	1
6	2308541	Jam Nut.....	2
7	2067396	Throttle Cable	1
8	1542500	Bracket.....	1
9	1399802	Bolt	1
10	302400	Locknut	1
11	1514429	Nut (Flange).....	2
12	126	Rod End Pin	1
13	1517361	Cotter Pin.....	2
14	128263	Pin	1
15	1480237	Clip Nut.....	2
16	1527880	Capscrew.....	4
17	1527879	Capscrew.....	2
18	1542082	Bracket.....	1
19	1530243	Insert.....	2
20	1562088	Clip	3
21	320156	Washer	2

THROTTLE BODY AND ATTACHING PARTS (Figure 3-15) GM 2.4L LPG



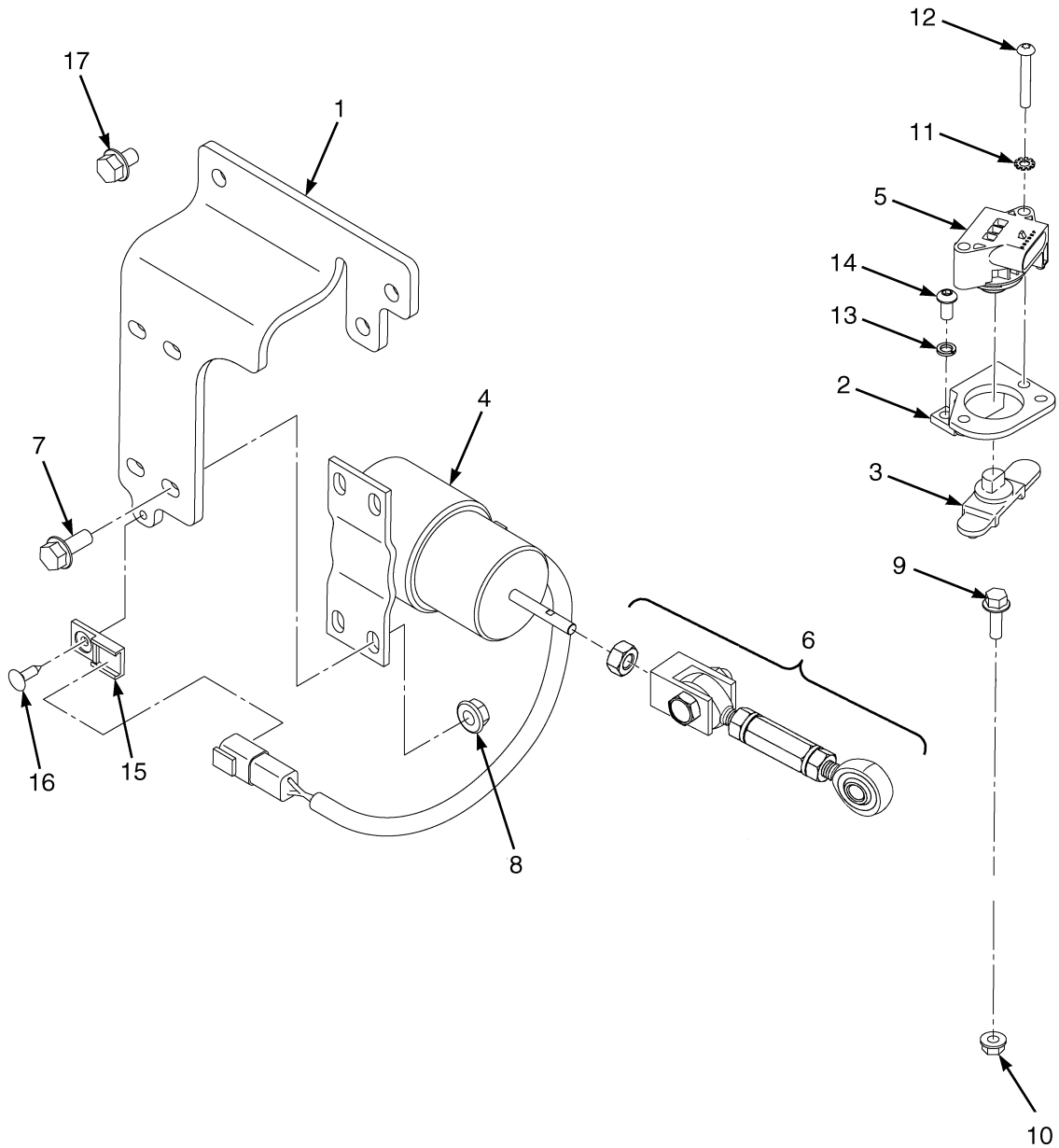
HP130378

THROTTLE BODY AND ATTACHING PARTS

GM 2.4L LPG

ITEM	PART NO.	DESCRIPTION	QTY
1	1557553	Plate (Throttle Adapter)	1
2	Fitting	4
3	Plug	1
4	1557566	Clamp	8
5	1557558	Lockwasher	2
6	1557559	Capscrew	2
7	1557561	Spacer	2
8	1557550	Lockwasher	10
9	1557554	Capscrew	2
10	1581796	Cam Sensor Kit	1
10	1564589	Screw	1
10	1564588	O-Ring	1
10	1564587	Sensor (Camshaft Position)	1
10	1557550	Lockwasher	1
11	1557551	Gasket (Throttle Body)	1
12	1557552	Gasket (Throttle Plate)	1
13	1557564	Bracket	1
14	1557546	Sensor (Oxygen)	1
15	1557565	O-Ring	4
16	1557563	Adapter (Injector)	4
17	1557562	Hose (LPG Vapor)	4
18	1557560	Injector (LPG)	4
19	1581795	Fuel Rail (LPG)	1
20	1557549	Capscrew	4
21	1557547	Throttle Body	1
22	1557548	Capscrew	4

THROTTLE POSITION SENSOR AND ATTACHING PARTS (Figure 3-16) YANMAR 2.6L AND 3.3L DIESEL

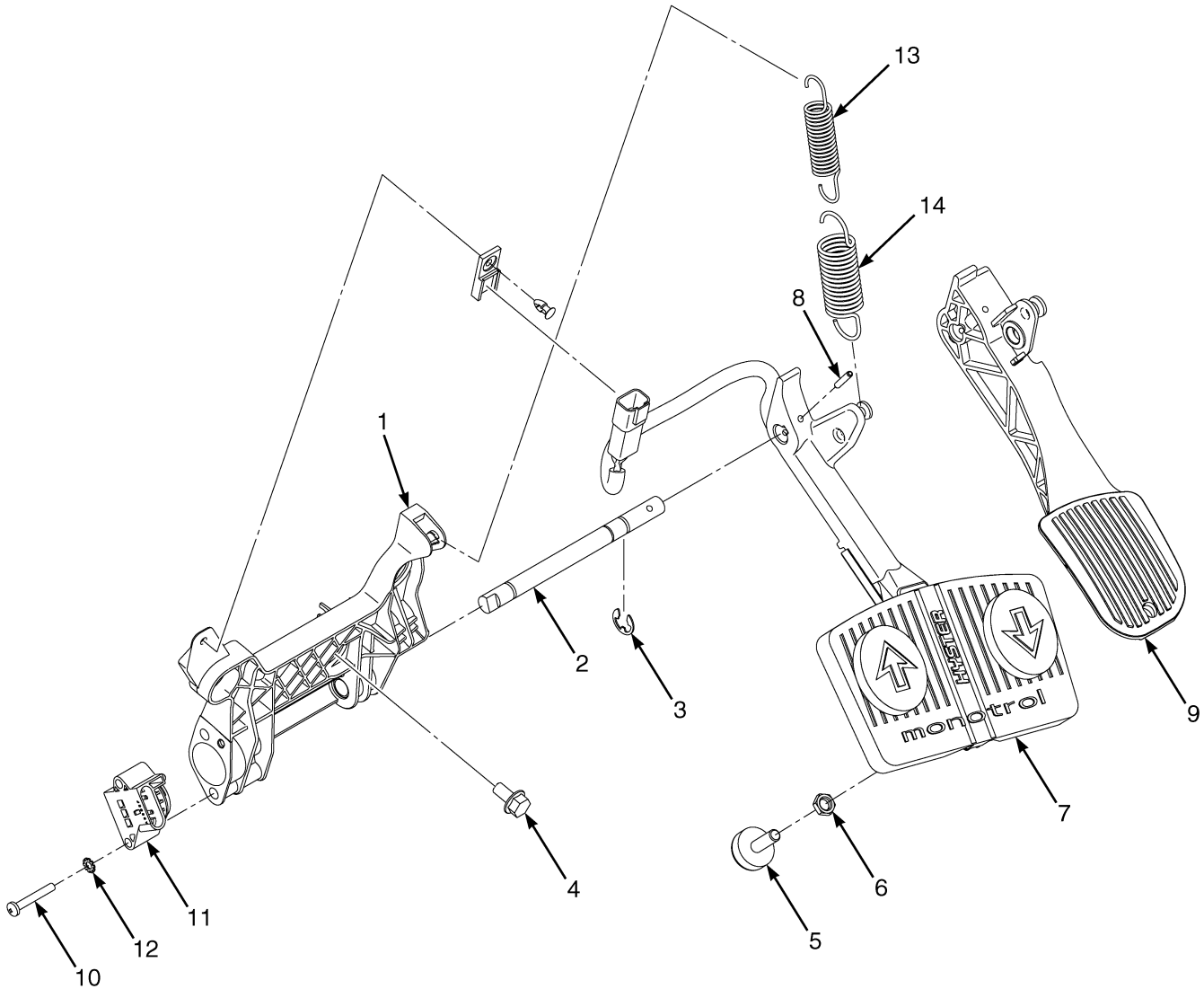


HP130369

**THROTTLE POSITION SENSOR AND ATTACHING PARTS
YANMAR 2.6L AND 3.3L
DIESEL**

ITEM	PART NO.	DESCRIPTION	QTY
1	1547550	Bracket (Actuator).....	1
2	1586012	Bracket.....	1
3	2078335	Rotor.....	1
4	1542772	Actuator (Pull).....	1
5	2063842	Throttle Position Sensor	1
6	1542773	Electronic Throttle Linkage Assembly.....	1
7	1527880	Capscrew.....	7
8	1502543	Nut (Flange).....	4
9	1527877	Capscrew.....	1
10	313805	Nut.....	1
11	296378	Washer	2
12	1553897	Capscrew.....	2
13	293779	Lockwasher.....	2
14	296158	Capscrew.....	2
15	1500912	Clip	1
16	1344124	Fastener.....	1
17	1529366	Capscrew.....	2

THROTTLE PEDAL AND ATTACHING PARTS (Figure 3-17) MAZDA 2.0L AND 2.2L/GM 2.4L LPG



HP130364

THROTTLE PEDAL AND ATTACHING PARTS

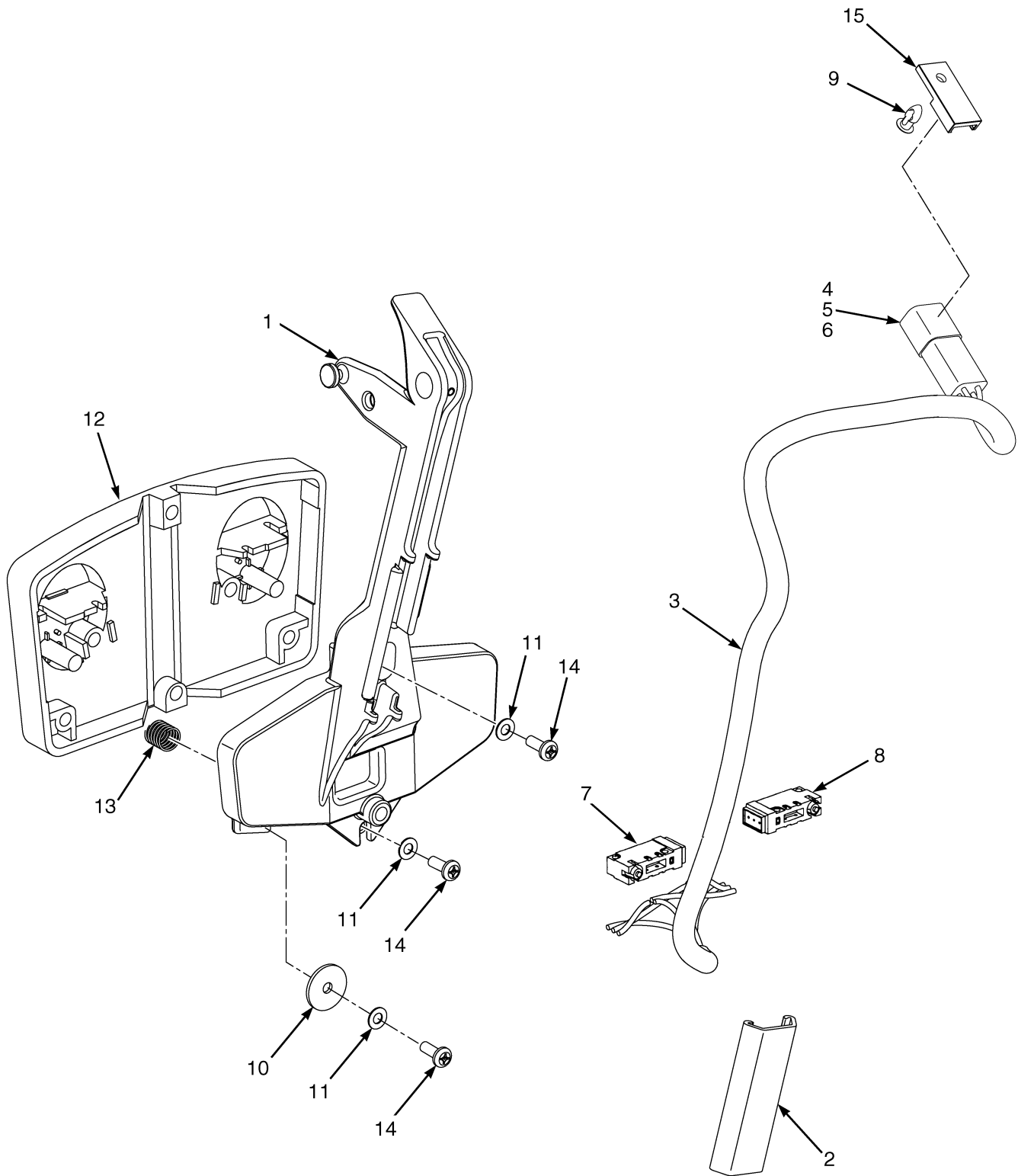
MAZDA 2.0L AND 2.2L/GM 2.4L LPG

ITEM	PART NO.	DESCRIPTION	QTY
1	1538488	Base (Throttle).....	1
2	1556962	Shaft	1
3	1530971	Retaining Ring	1
4	1527879	Capscrew.....	3
5	1530311	Screw (Stop).....	1
6	329069	Nut	1
7	1557269	Monotrol Pedal Assembly (☞ Figure 3-18)	1
8	b 302437	Cotter Pin.....	1
8	c 302443	Pin	1
9	2071181	Pedal (Standard).....	1
10	1564752	Screw.....	2
11	2063842	Throttle Position Sensor	1
12	296378	Washer	2
13	1582301	Spring (Inner).....	1
13	a 1582303	Spring (Inner).....	1
14	1582300	Spring (Outer).....	1
14	a 1582302	Spring (Outer).....	1

FOOTNOTES:

- a** For Use With Mazda Engines Only
- b** For Use With Monotrol Pedal Only
- c** For Use With Standard Pedal Only

MONOTROL PEDAL ASSEMBLY (Figure 3-18)



HP130365

MONOTROL PEDAL ASSEMBLY

ITEM	PART NO.	DESCRIPTION	QTY
	1557269	Monotrol Pedal Assembly	1
1	1556829	Bracket (Pedal)	1
2	1539418	Clip	1
3	2072782	Wire Harness	1
4	1330416	Secondary Lock	1
5	1489655	Connector	1
6	1531312	Terminal	4
7	Switch	1
8	Switch	1
9	1564526	Clip	1
10	362036	Washer	2
11	15931	Lockwasher	4
12	1340470	Pad	1
13	325699	Spring	2
14	16708	Screw	4
15	1500912	Clip	1