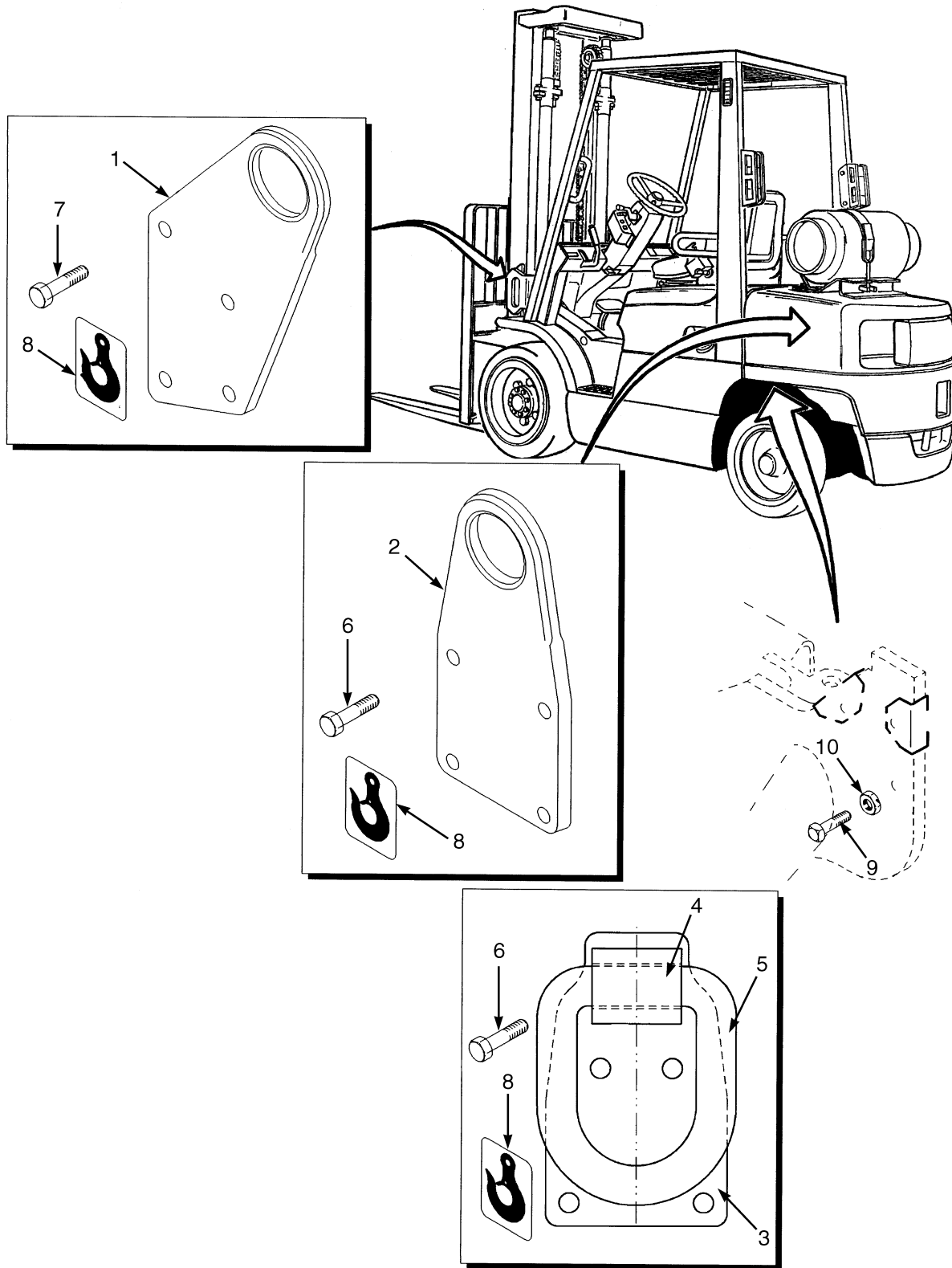


**SECTION 13
OPTIONS**

DESCRIPTION	PAGE
ACCUMULATOR AND ATTACHING PARTS.....	13-13
AUXILIARY TUBE EXTENSIONS	
TWO AND THREE STAGE FULL FREE-LIFT	13-30
TWO STAGE LIMITED FREE-LIFT	13-28
BACK-UP ALARM	13-4
FIRE EXTINGUISHER	13-12
HEATER HOSE ARRANGEMENT	
LPG AND DIESEL	13-10
INTEGRAL SIDE-SHIFT ASSEMBLY	
THREE STAGE FULL FREE-LIFT	13-22
TWO STAGE FULL FREE-LIFT	13-20
TWO STAGE LIMITED FREE-LIFT	13-16
INTEGRAL SIDE-SHIFT CYLINDER	13-26
INTEGRAL SIDE-SHIFT HYDRAULIC HOSES	
TWO AND THREE STAGE FULL FREE-LIFT	13-24
TWO STAGE LIMITED FREE-LIFT	13-18
LIFTING EYE.....	13-2
MIRRORS	
WITH CAB	13-6
WITH OVERHEAD GUARD	13-8

LIFTING EYE (Figure 13-1)



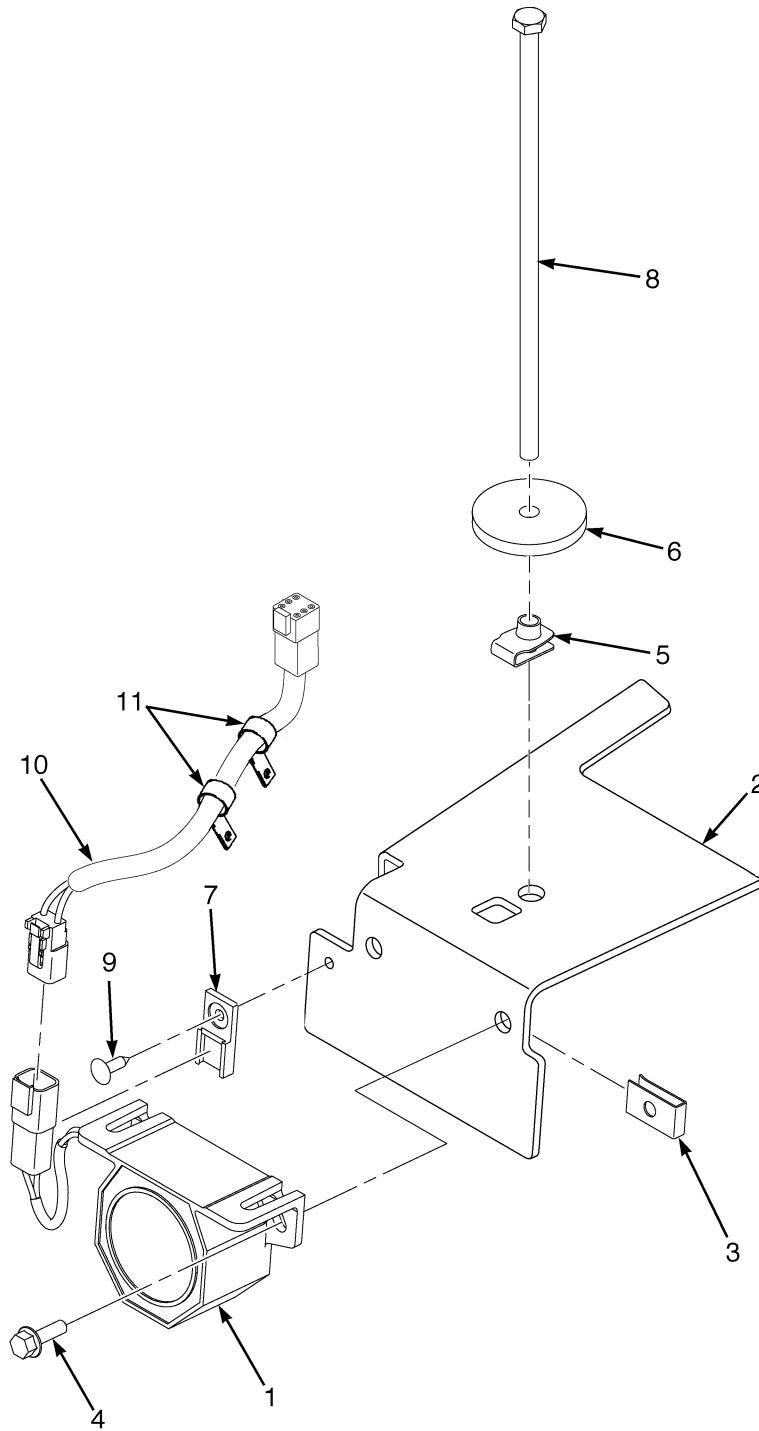
HP000898

LIFTING EYE

ITEM	PART NO.	DESCRIPTION	QTY
	1602394	Lifting Eye Kit (LPG)	1
	1602395	Lifting Eye Kit (Diesel)	1
1	1356400	Lifting Eye (Front)	2
2	a 1356401	Lifting Eye (Rear)	2
3	b 1566849	Lifting Eye (Rear)	2
4	1329850	Clip	1
5	1329851	Ring.....	1
6	1566853	Capscrew	8
7	1586790	Capscrew	8
8	316448	Label (Lifting Eye)	4
9	302323	Screw	2
10	296130	Nut.....	2

FOOTNOTES:**a** Diesel Only**b** LPG Only

BACK-UP ALARM (Figure 13-2)

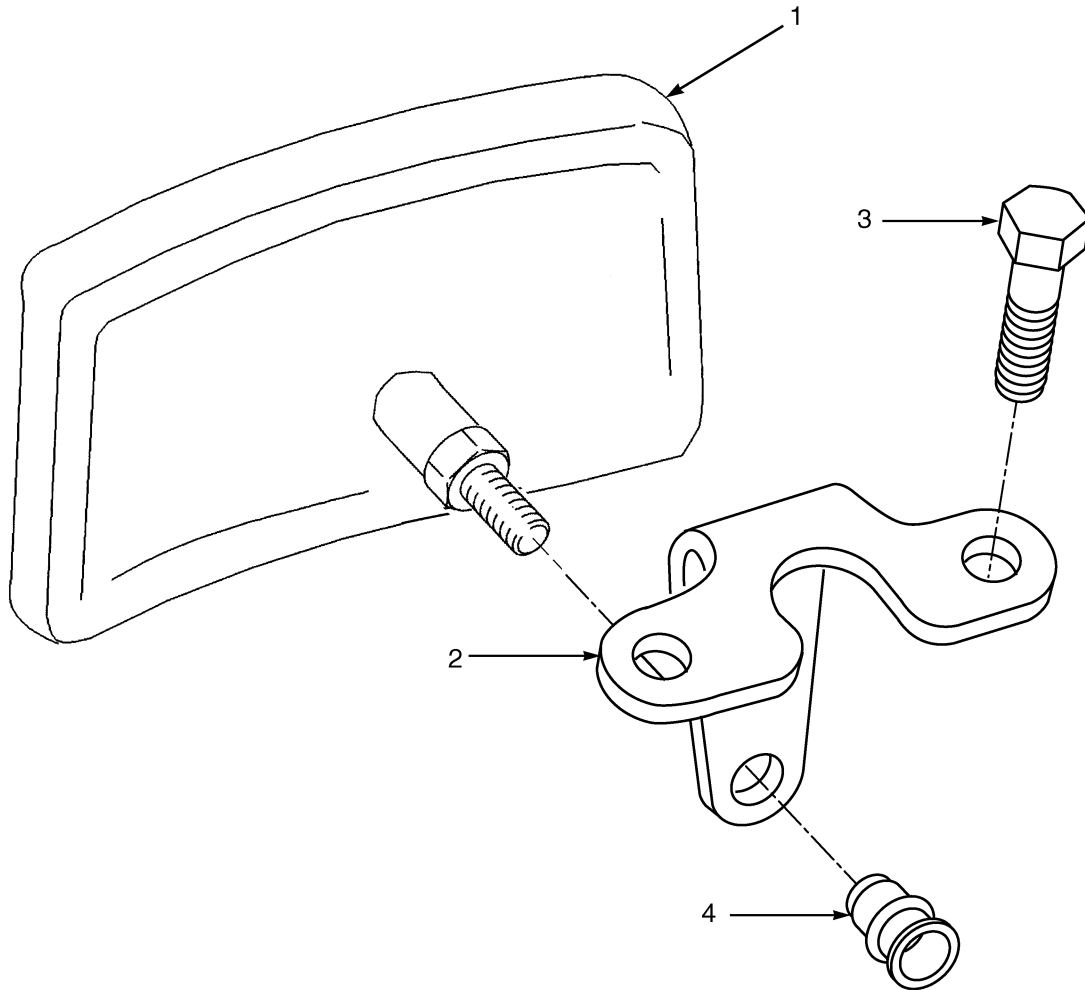


HP000897

BACK-UP ALARM

ITEM	PART NO.	DESCRIPTION	QTY
1	2064929	Back-Up Alarm (82-102 dbA)	1
2	1589195	Bracket.....	1
3	1350215	Nut (Foldover).....	2
4	1527877	Capscrew.....	2
5	1480237	Clip Nut.....	1
6	1547756	Washer	1
7	1500912	Clip	1
8	1543982	Capscrew.....	1
9	1582464	Fastener.....	1
10	2075699	Wire Harness (To RH Chassis).....	1
10	1330437	Terminal (Pin)	2
10	1330438	Socket (Terminal)	2
10	1330439	Plug	4
10	1402923	Connector.....	1
10	1490242	Connector.....	1
10	1490243	Secondary Lock.....	1
10	1330417	Secondary Lock.....	1
11	1509888	Clip	2

MIRRORS (Figure 13-3) WITH CAB

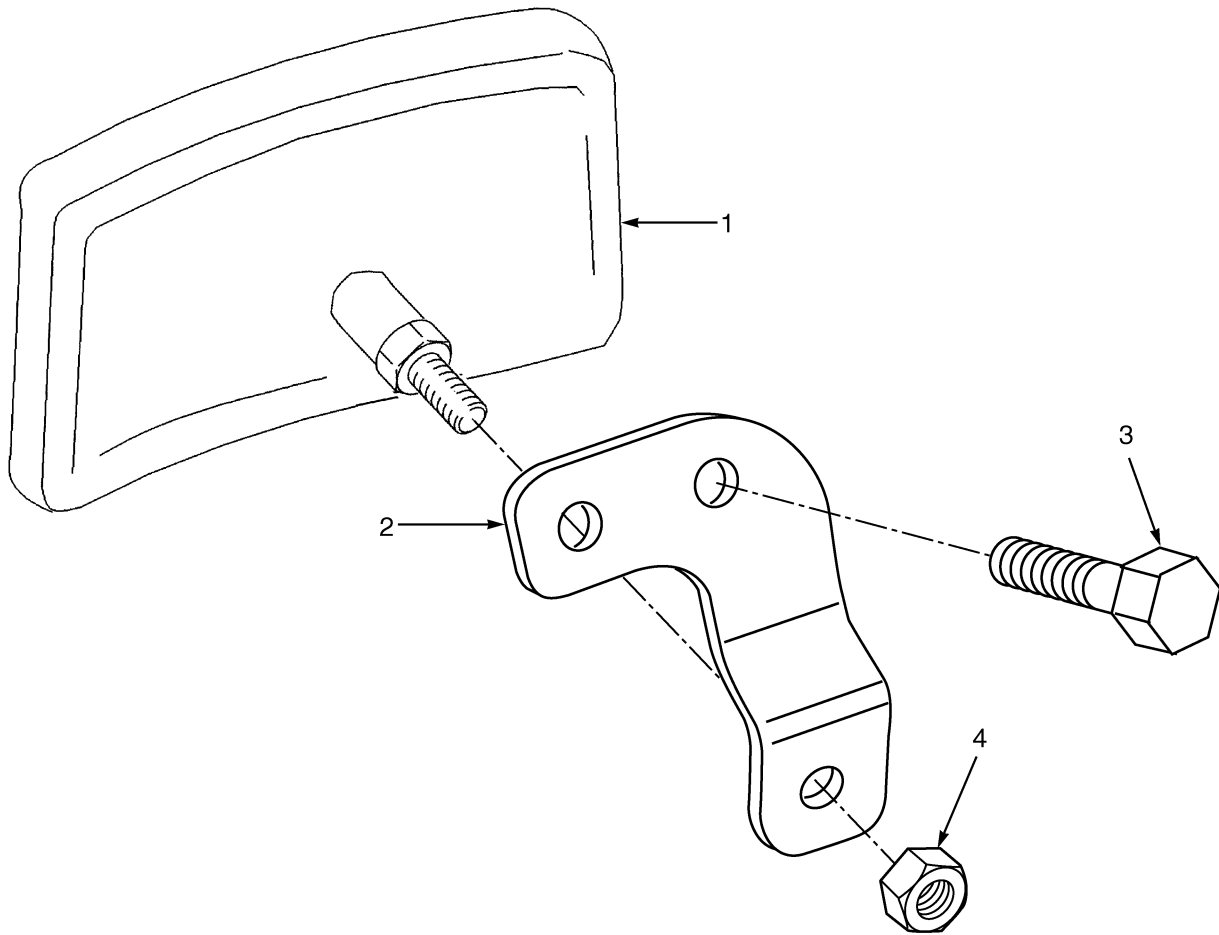


HP000896

**MIRRORS
WITH CAB**

ITEM	PART NO.	DESCRIPTION	QTY
1	1301286	Mirror	2
2	1579412	Bracket.....	2
3	1583611	Capscrew.....	4
4	1531557	Insert.....	4

MIRRORS (Figure 13-4) WITH OVERHEAD GUARD

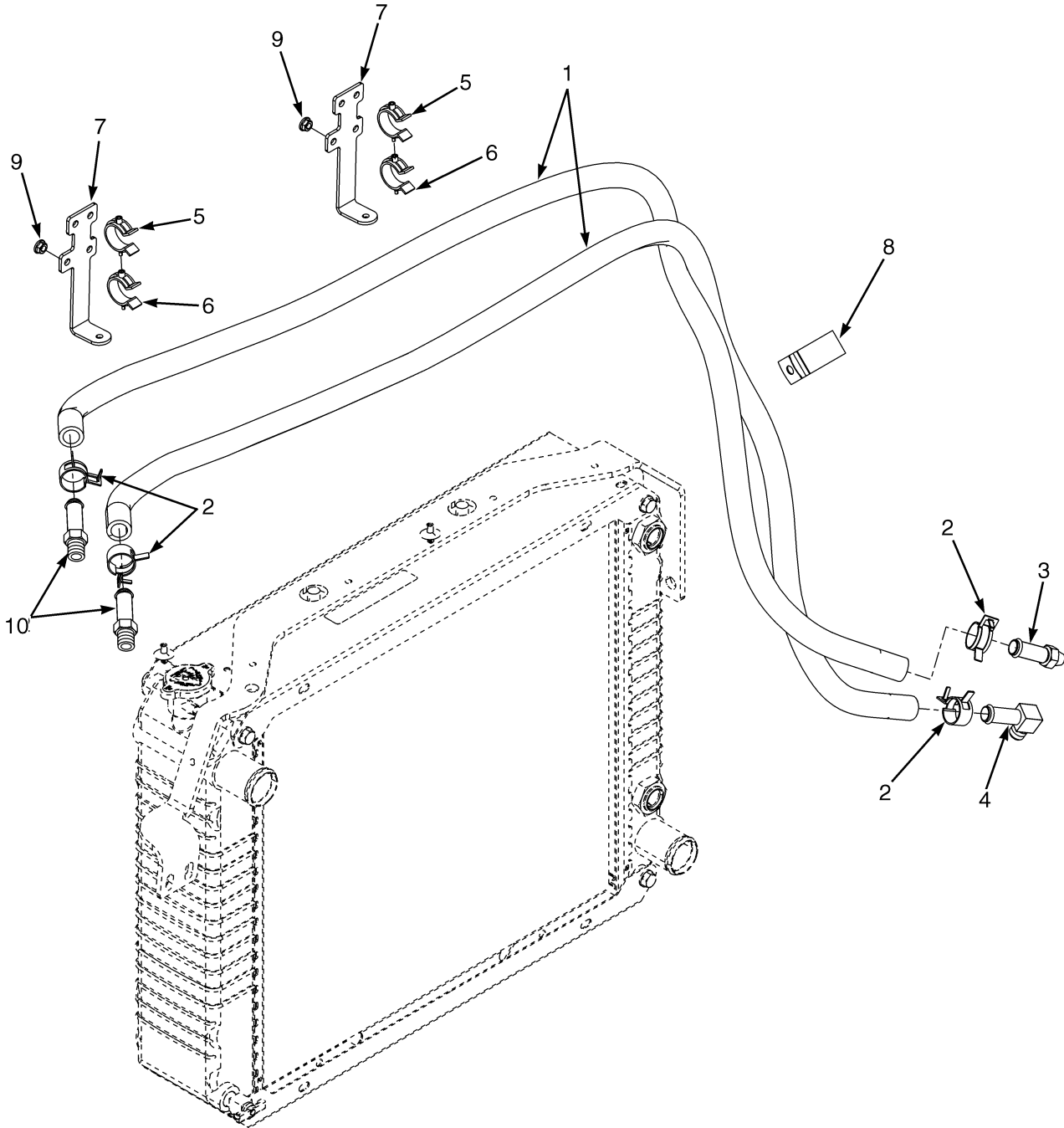


HP000895

**MIRRORS
WITH OVERHEAD GUARD**

ITEM	PART NO.	DESCRIPTION	QTY
1	1301286	Mirror	2
2	1569277	Bracket (RH)	1
2	1569278	Bracket (LH).....	1
3	1583611	Capscrew.....	4
4	1586430	Nut	4

HEATER HOSE ARRANGEMENT (Figure 13-5) LPG AND DIESEL

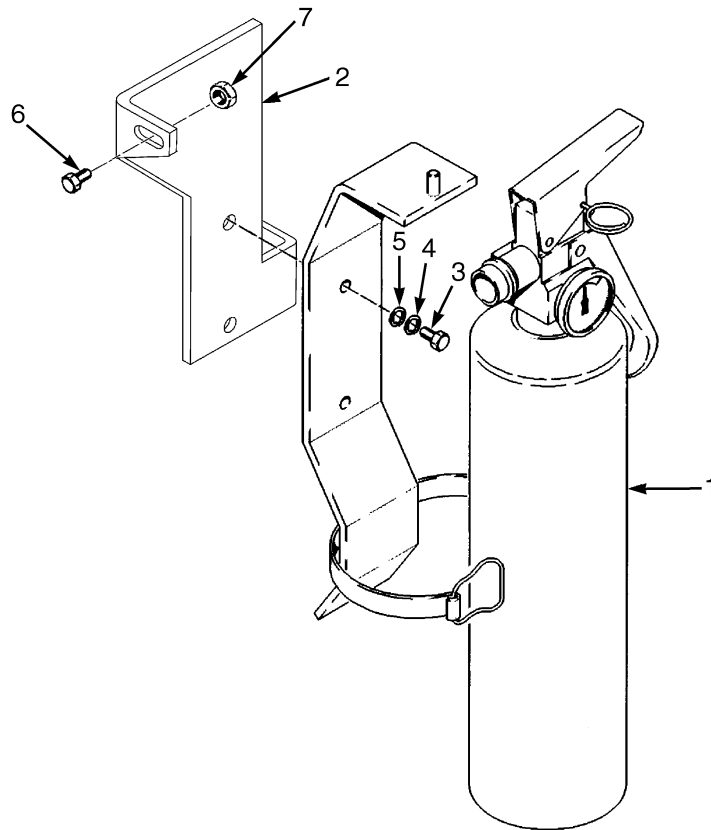


HP000905

**HEATER HOSE ARRANGEMENT
LPG AND DIESEL****KEY:****A: Mazda LPG Engines****B: GM LPG Engines****C: Yanmar Diesel Engines**

ITEM	PART NO.	DESCRIPTION	QTY		
			A	B	C
1	2071300	Hose	1
1	2070769	Hose	1	..	2
1	2070783	Hose	2	..
2	1501994	Clamp	4	4	4
3	138710	Fitting.....	1
3	Fitting (☞ Figure 1-9)	1	1	..
4	125305	Fitting.....	1
4	Fitting (☞ Figure 1-9)	1	1	..
5	1569465	Clamp	4	4	4
6	1543842	Base (Clamp).....	2	2	2
7	1588833	Bracket.....	2	2	2
8	1562648	Clip	1	1	1
9	1514429	Nut (Flange).....	4	4	4
10	Fitting (To Cab) (☞ Figure 1-9)	2	2	2

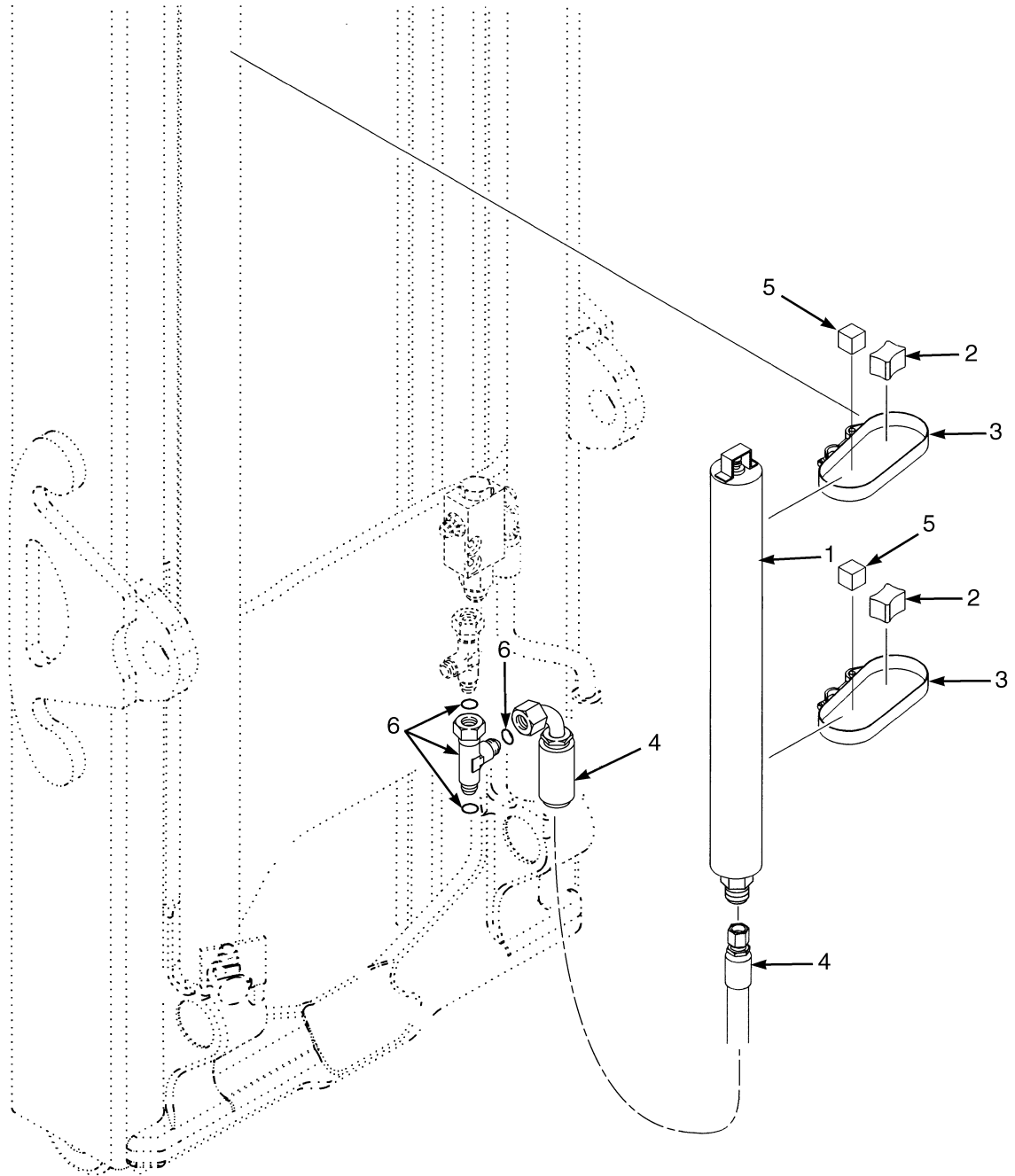
FIRE EXTINGUISHER (Figure 13-6)



BP000252

ITEM	PART NO.	DESCRIPTION	QTY
1	146540	Fire Extinguisher Assembly	1
1	Fire Extinguisher	1
1	1561749	Bracket	1
2	1582141	Bracket.....	1
3	296507	Screw.....	2
4	292679	Lockwasher.....	2
5	320155	Washer	2
6	1583611	Capscrew.....	1
7	1502543	Nut (Flange).....	1

ACCUMULATOR AND ATTACHING PARTS (Figure 13-7)

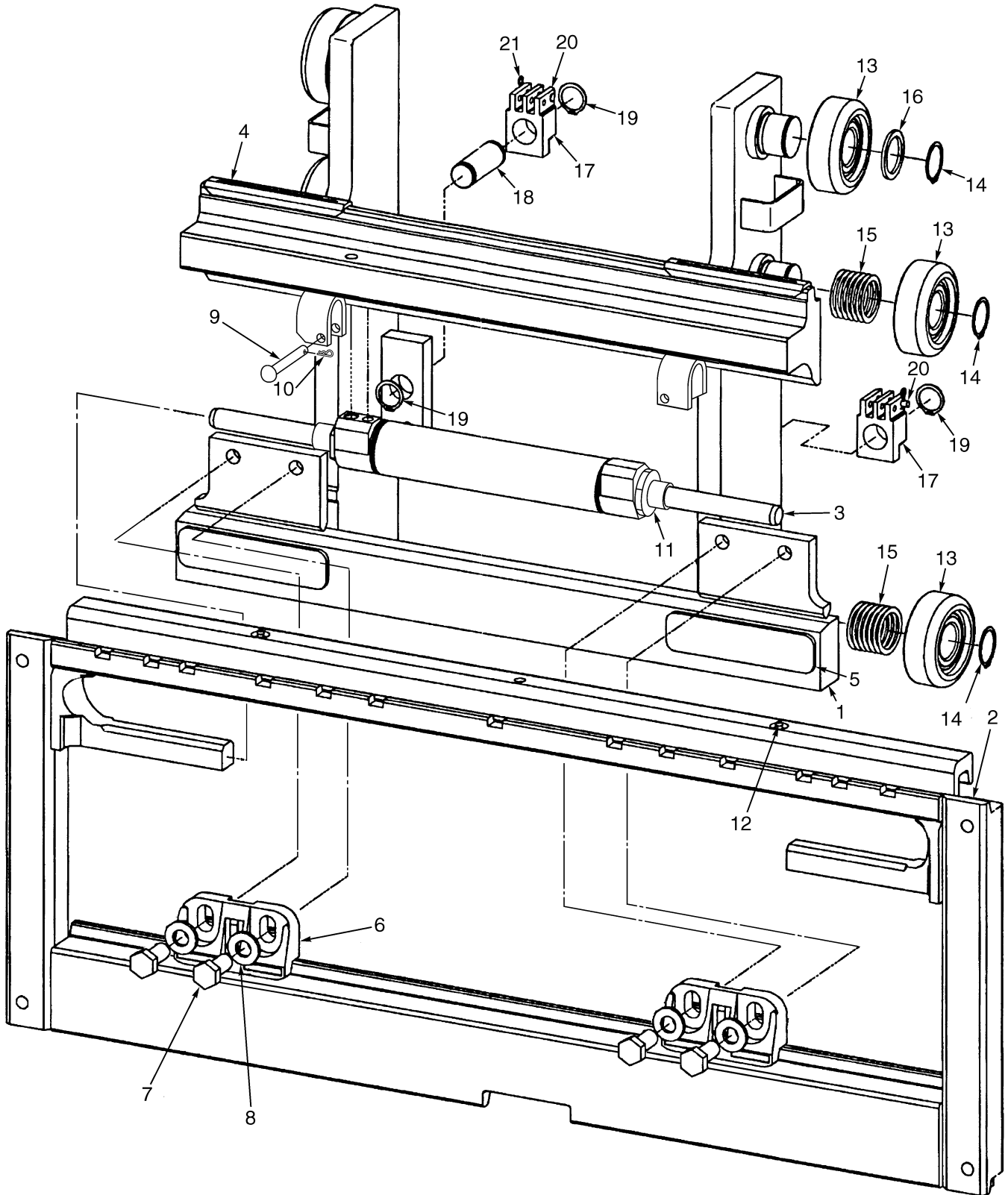


HP000908

ACCUMULATOR AND ATTACHING PARTS

ITEM	PART NO.	DESCRIPTION	QTY
1	1465897	Accumulator	1
2	1466337	Spacer	2
3	1466472	Clamp	2
4	2073766	Hose	1
5	1582570	Spacer	4
6	1487096	Fitting	1
6	252729	O-Ring	3

INTEGRAL SIDE-SHIFT ASSEMBLY (Figure 13-8) TWO STAGE LIMITED FREE-LIFT



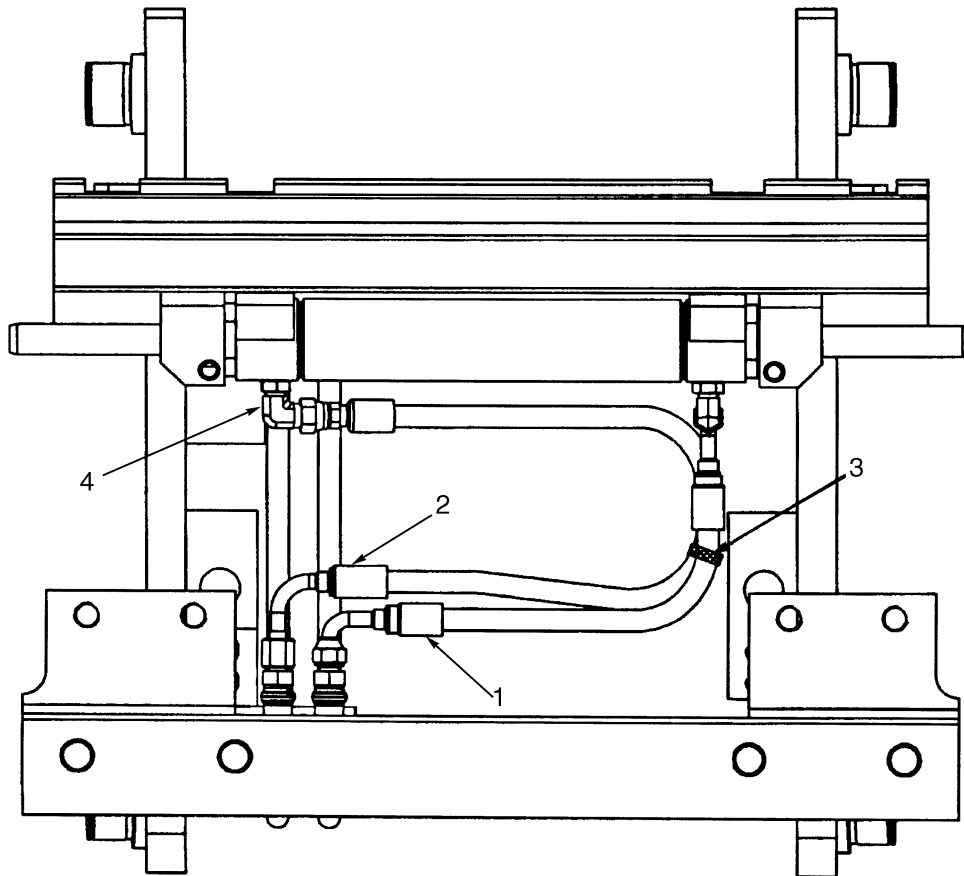
HP020343

**INTEGRAL SIDE-SHIFT ASSEMBLY
TWO STAGE LIMITED FREE-LIFT****KEY:****A: H2.0-2.5FT D507****B: H3.0-3.5FT D562**

ITEM	PART NO.	DESCRIPTION	QTY	
			A	B
	1486182	Side-Shift Carriage Assembly (1067 mm)	1	..
	1486185	Side-Shift Carriage Assembly (1219 mm)	1	..
	1487981	Side-Shift Carriage Assembly (1067 mm)	1
	1487982	Side-Shift Carriage Assembly (1219 mm)	1
1	1489002	Frame (Inner).....	1	..
1	1477849	Frame (Inner).....	..	1
2	1489011	Frame (1067 mm) (Outer)	1	..
2	1489012	Frame (1219 mm) (Outer)	1	..
2	1488975	Frame (1067 mm) (Outer)	1
2	1488976	Frame (1219 mm) (Outer)	1
3	2043528	Cylinder Assembly (☞ Figure 13-13)	1	..
3	2043529	Cylinder Assembly (☞ Figure 13-13)	1
4	2043531	Bearing (Upper).....	2	..
4	2043532	Bearing (Upper).....	..	2
5	2043533	Bearing (Lower).....	2	..
5	2043534	Bearing (Lower).....	..	2
6	2043530	Hook (Lower).....	2	2
7	226458	Capscrew	4	4
8	296426	Washer (Hardened).....	4	4
9	1401746	Pin	2	2
10	18832	Cotter Pin	2	2
11	1498326	Shim	3	3
12	16041	Lube Fitting.....	2	2
13	1345219	Load Roller.....	6	6
14	12891	Snap Ring.....	6	6
15	1345263	Shim (0,508 mm).....	28	28
16	366116	Spacer	2	2
17	1369344	Chain Anchor (Dual Hole)	2
17	1504012	Chain Anchor (Single Hole) (Optional)	2
17	1369345	Chain Anchor (Dual Hole)	2	..
17	1504010	Chain Anchor (Single Hole) (Optional)	2	..
18	1353408	Pin	2	2
18	317735	Pin (48 in.).....	2	..
19	131358	Snap Ring.....	4	4
20	1514866	Pin	2	2
21	15211	Cotter Pin	2	2
	a 386422	Snap Ring.....	6	6

FOOTNOTES:**a** Not Illustrated

INTEGRAL SIDE-SHIFT HYDRAULIC HOSES (Figure 13-9) TWO STAGE LIMITED FREE-LIFT

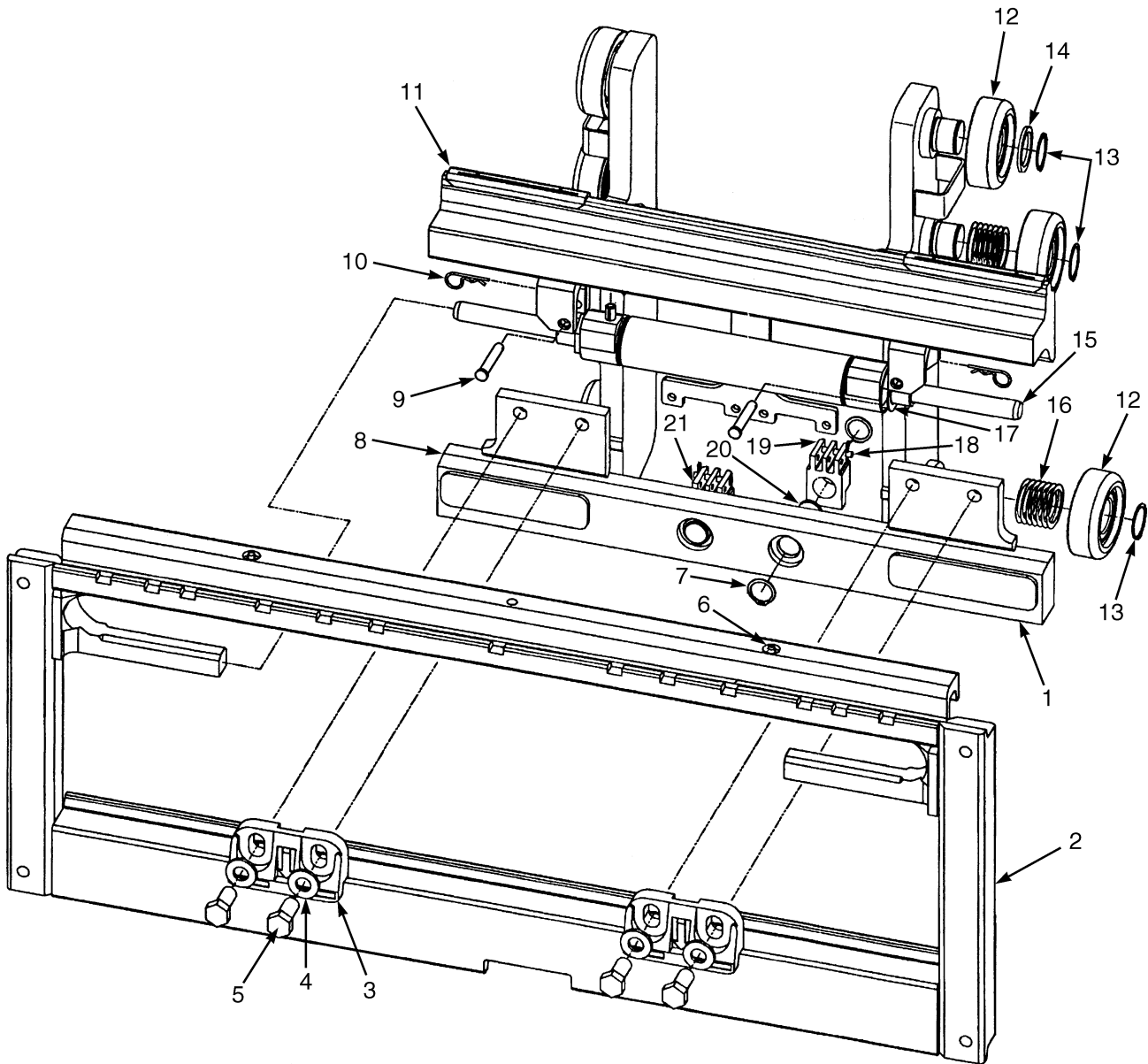


BP000004

KEY:
A: H2.0-2.5FT
B: H3.0-3.5FT

ITEM	PART NO.	DESCRIPTION	QTY	
			A	B
1	2067822	Hose	1	..
1	2065672	Hose	1
2	2065670	Hose	1	..
2	2065671	Hose	1
3	114312	Strap Clamp.....	1	1
4	1487063	Fitting.....	2	2
4	1527813	O-Ring.....	1	1
4	265787	O-Ring.....	1	1

INTEGRAL SIDE-SHIFT ASSEMBLY (Figure 13-10) TWO STAGE FULL FREE-LIFT



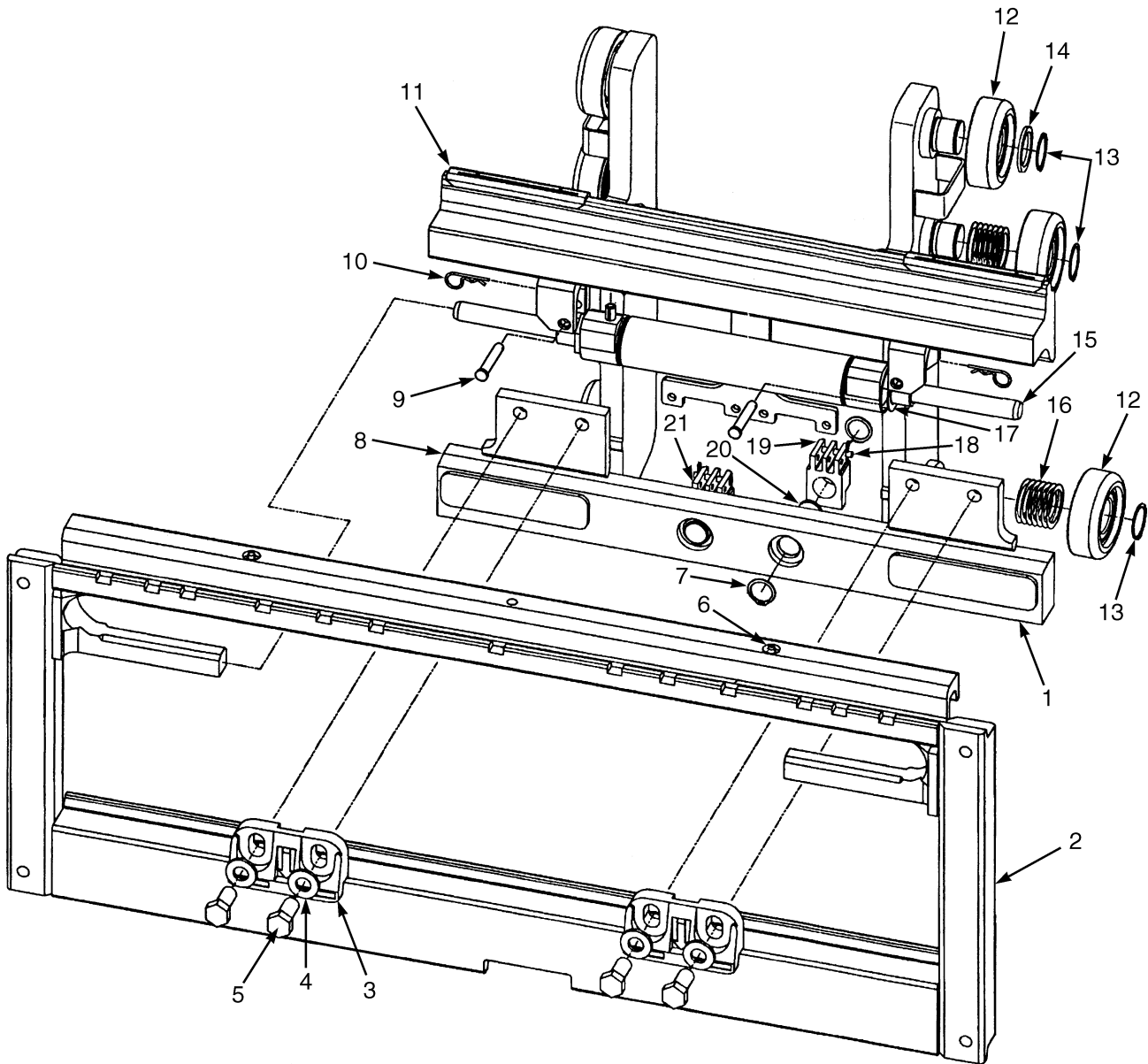
HP020344

**INTEGRAL SIDE-SHIFT ASSEMBLY
TWO STAGE FULL FREE-LIFT****KEY:****A: H2.0-2.5FT D509****B: H3.0-3.5FT D564**

ITEM	PART NO.	DESCRIPTION	QTY	
			A	B
	1486183	Side-Shift Carriage (1067 mm).....	1	..
	1486186	Side-Shift Carriage (1219 mm).....	1	..
	1477944	Side-Shift Carriage (1067 mm).....	..	1
	1477946	Side-Shift Carriage (1219 mm).....	..	1
1	1489003	Frame (1067 mm, 1219 mm) (Inner)	1	..
1	1477938	Frame (1067 mm, 1219 mm) (Inner)	1
2	1489011	Frame (1067 mm) (Outer)	1	..
2	1489012	Frame (1219 mm) (Outer)	1	..
2	1488975	Frame (1067 mm) (Outer)	1
2	1488976	Frame (1219 mm) (Outer)	1
3	2043530	Hook (Lower).....	2	2
4	296426	Washer (Hardened).....	4	4
5	226458	Capscrew	4	2
6	16041	Lube Fitting.....	2	2
7	131358	Snap Ring.....	4	4
8	2043533	Bearing (Lower).....	2	..
8	2043534	Bearing (Lower).....	..	2
9	1401746	Pin	2	2
10	18832	Cotter Pin	2	2
11	2043531	Bearing (Upper).....	2	..
11	2043532	Bearing (Upper).....	..	2
12	1345219	Load Roller	6	6
13	12891	Snap Ring.....	6	6
14	366116	Spacer	2	2
15	2043528	Cylinder Assembly (☞ Figure 13-13)	1	..
15	2043529	Cylinder Assembly (☞ Figure 13-13)	1
16	1345263	Shim (0,508 mm).....	28	28
17	1498326	Shim	3	3
18	1514866	Pin	2	2
19	1369345	Chain Anchor (Dual Hole)	2	..
19	1504010	Chain Anchor (Single Hole) (Optional).....	2	..
19	1369344	Chain Anchor (Dual Hole)	2
19	1504012	Chain Anchor (Single Hole) (Optional).....	..	2
20	317735	Pin	2	2
21	15211	Cotter Pin	2	2
	a 386422	Snap Ring.....	6	6

FOOTNOTES:**a** Not Illustrated

INTEGRAL SIDE-SHIFT ASSEMBLY (Figure 13-11) THREE STAGE FULL FREE-LIFT



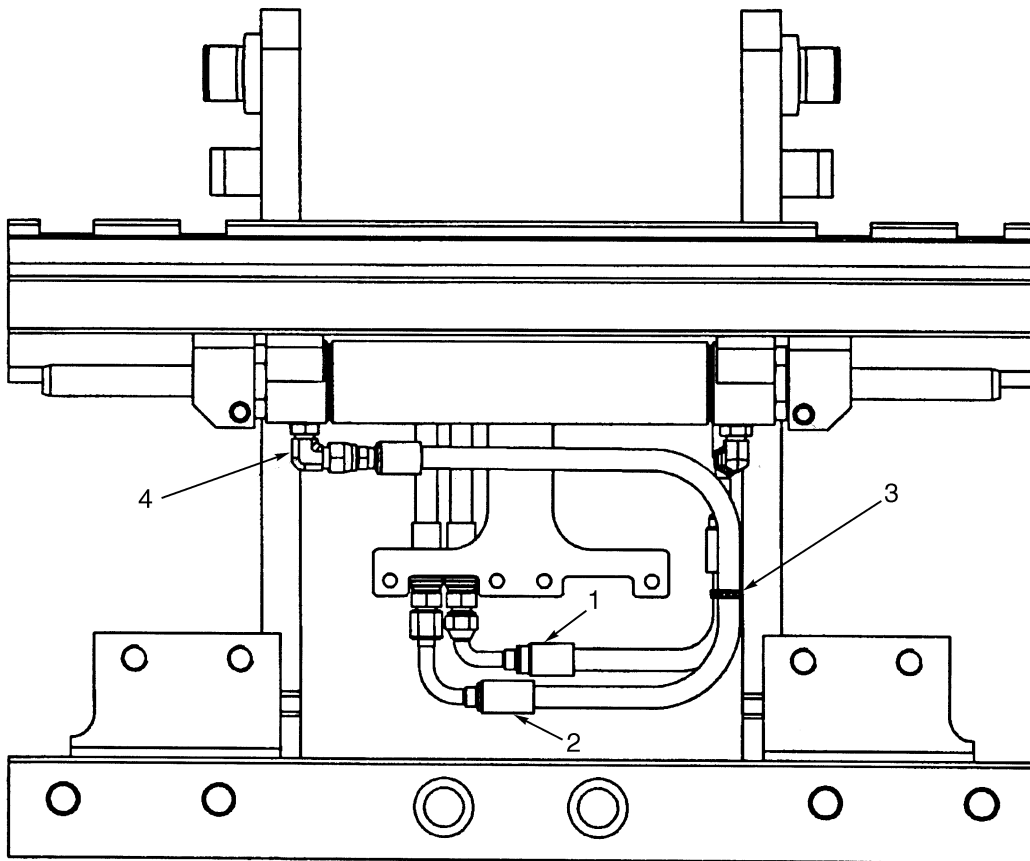
HP020344

**INTEGRAL SIDE-SHIFT ASSEMBLY
THREE STAGE FULL FREE-LIFT****KEY:****A: H2.0-2.5FT D508****B: H3.0-3.5FT D563**

ITEM	PART NO.	DESCRIPTION	QTY	
			A	B
	1486184	Side-Shift Carriage (1067 mm).....	1	..
	1486187	Side-Shift Carriage (1219 mm).....	1	..
	1477945	Side-Shift Carriage (1067 mm).....	..	1
	1477947	Side-Shift Carriage (1219 mm).....	..	1
1	1489004	Frame (1067 mm, 1219 mm) (Inner)	1	..
1	1477939	Frame (1067 mm, 1219 mm) (Inner)	1
2	1489011	Frame (1067 mm) (Outer)	1	..
2	1489012	Frame (1219 mm) (Outer)	1	..
2	1488975	Frame (1067 mm) (Outer)	1
2	1488976	Frame (1219 mm) (Outer)	1
3	2043530	Hook (Lower).....	2	2
4	296426	Washer (Hardened).....	4	4
5	226458	Capscrew	4	2
6	16041	Lube Fitting.....	2	2
7	131358	Snap Ring.....	4	4
8	2043533	Bearing (Lower).....	2	..
8	2043534	Bearing (Lower).....	..	2
9	1401746	Pin	2	2
10	18832	Cotter Pin	2	2
11	2043531	Bearing (Upper).....	2	..
11	2043532	Bearing (Upper).....	..	2
12	1333399	Load Roller	6	6
13	58901	Snap Ring.....	6	6
14	366115	Spacer	2	2
15	2043528	Cylinder Assembly (☞ Figure 13-13)	1	..
15	2043529	Cylinder Assembly (☞ Figure 13-13)	1
16	129387	Shim (0,508 mm).....	28	28
17	1498326	Shim	3	3
18	1514866	Pin	2	2
19	1369345	Chain Anchor (Dual Hole)	2	..
19	1504010	Chain Anchor (Single Hole) (Optional).....	2	..
19	1369344	Chain Anchor (Dual Hole)	2
19	1504012	Chain Anchor (Single Hole) (Optional).....	..	2
20	317735	Pin	2	2
21	15211	Cotter Pin	2	2
22	a 1374797	Snap Ring.....	6	6

FOOTNOTES:**a** Not Illustrated

INTEGRAL SIDE-SHIFT HYDRAULIC HOSES (Figure 13-12) TWO AND THREE STAGE FULL FREE-LIFT



BP000003

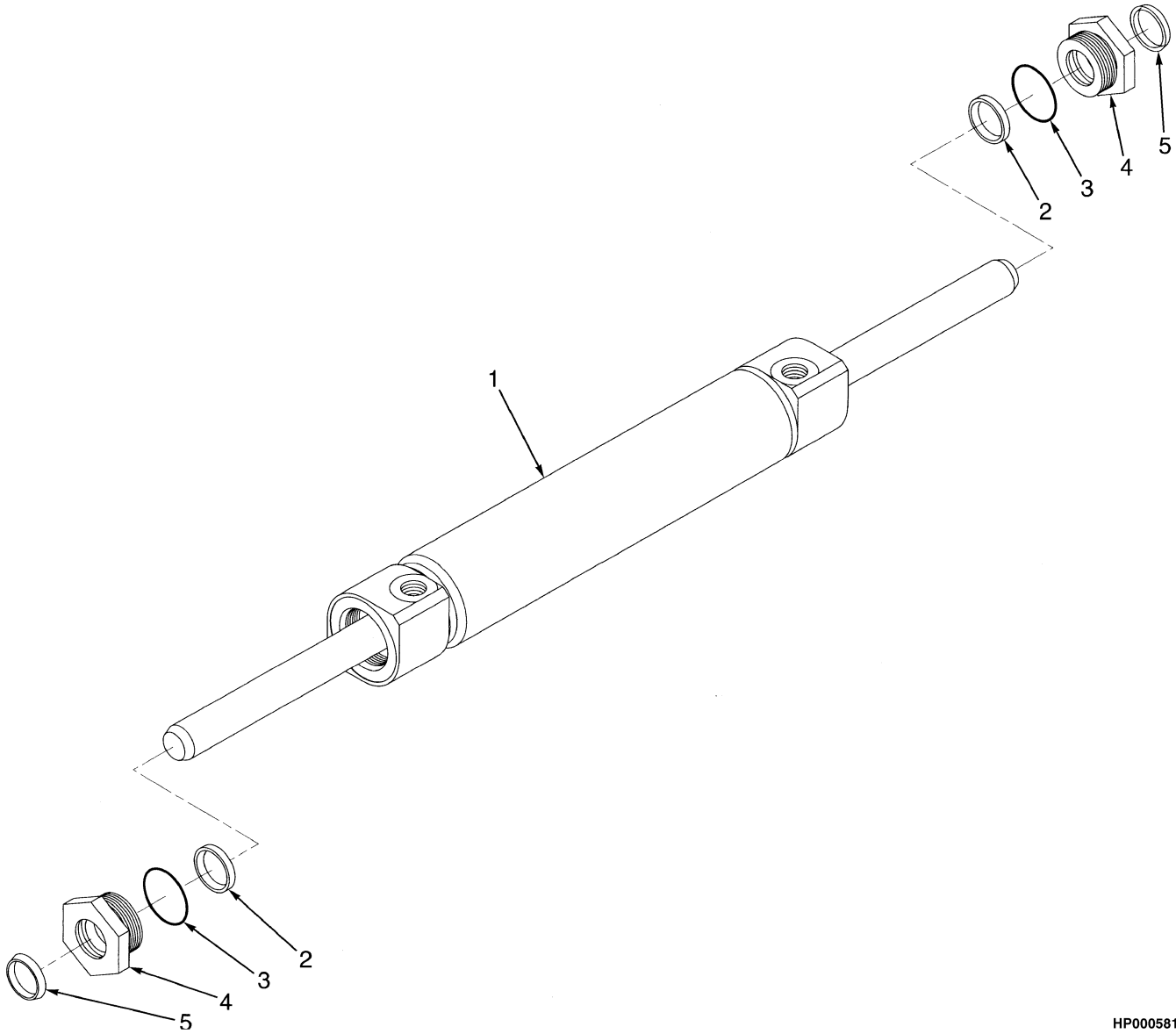
KEY:

A: H2.0-2.5FT

B: H3.0-3.5FT

ITEM	PART NO.	DESCRIPTION	QTY	
			A	B
1	2065675	Hose	1	..
1	2065674	Hose	1
2	2065671	Hose	1	..
2	2065670	Hose	1
3	114312	Strap Clamp.....	1	1
4	1487063	Fitting.....	2	2
4	1527813	O-Ring	1	1
4	265787	O-Ring	1	1

INTEGRAL SIDE-SHIFT CYLINDER (Figure 13-13)



HP000581

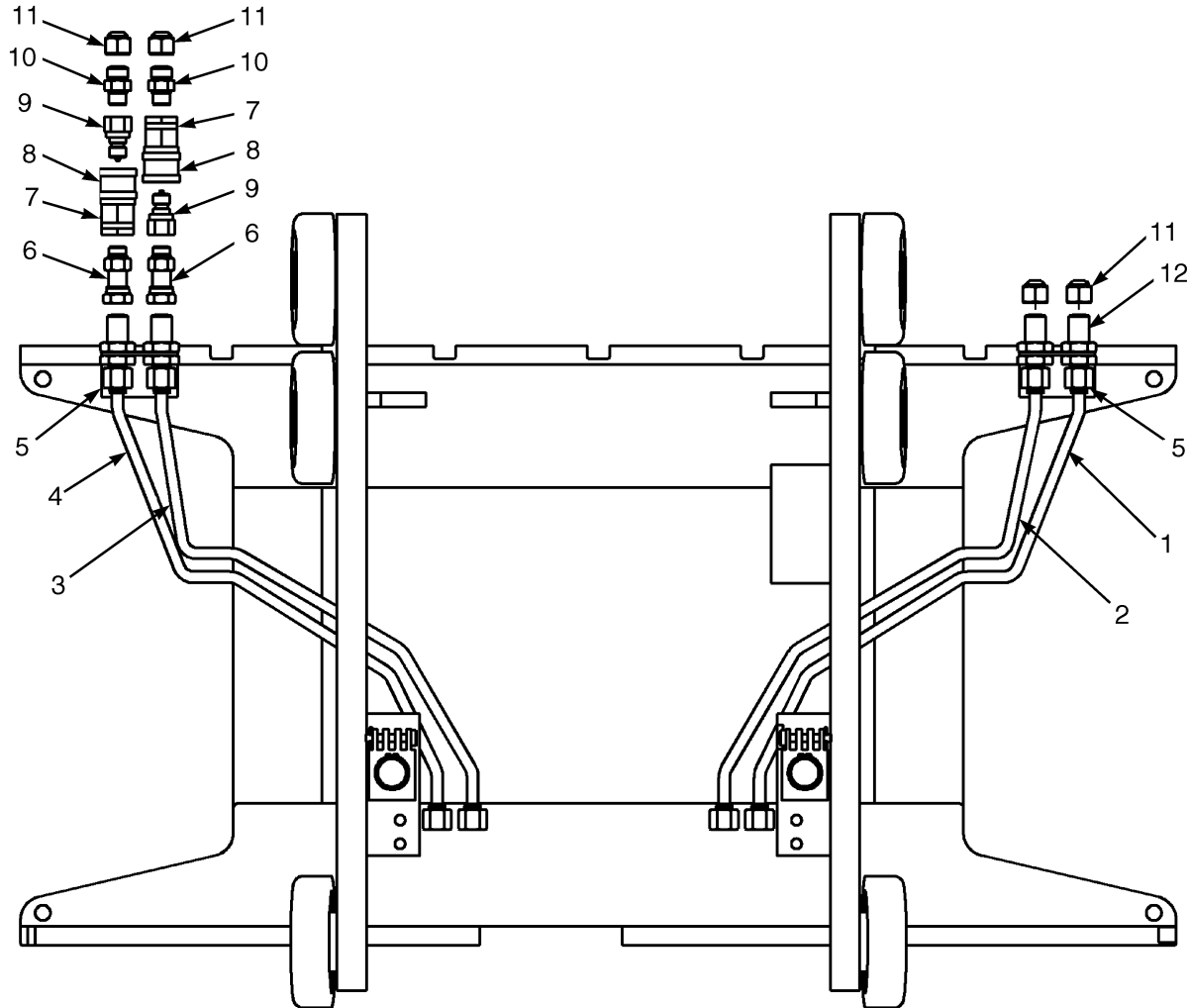
INTEGRAL SIDE-SHIFT CYLINDER

ITEM	PART NO.	DESCRIPTION	QTY
	2043528	Cylinder Assembly (H2.0-2.5FT)	1
	2043529	Cylinder Assembly (H3.0-3.5FT)	1
1	1489018	Cylinder Shell	1
2	1489037	Rod Seal.....	2
3	1489035	O-Ring	2
4	1498325	Retainer.....	2
5	1489039	Rod Wiper	2
6	a 302487	Pin	1
	1503096	Seal Kit (Includes Items 2-3, 5)	1

FOOTNOTES:

a Not Illustrated

AUXILIARY TUBE EXTENSIONS (Figure 13-14) TWO STAGE LIMITED FREE-LIFT



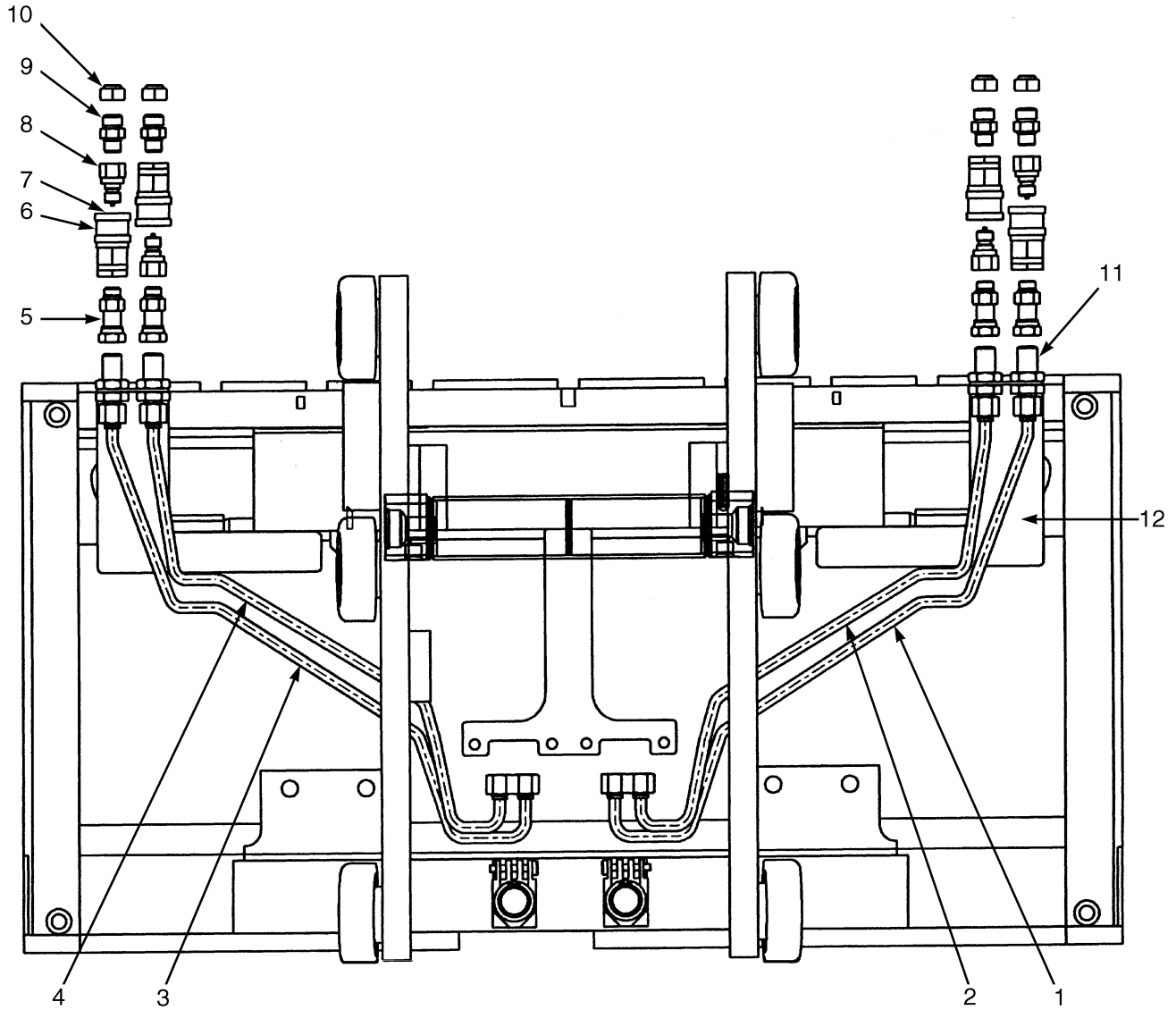
HP020346

**AUXILIARY TUBE EXTENSIONS
TWO STAGE LIMITED FREE-LIFT****KEY:****A: D507, Standard Carriage****B: D507, Integral Side-Shift Carriage****C: D562, Standard Carriage****D: D562, Integral Side-Shift Carriage**

ITEM	PART NO.	DESCRIPTION	QTY			
			A	B	C	D
1	2079327	Tube	1
1	2079331	Tube	1	..
2	2079328	Tube	1
2	2079332	Tube	1	..
3	2079329	Tube	1	1
3	2079333	Tube	1	1
4	2079330	Tube	1	1
4	2079334	Tube	1	1
5	1549718	Bracket.....	..	1
5	1549724	Bracket.....	1
5	1550070	Bracket.....	1	..	1	..
6	a 1549715	Fitting.....	2	2	2	2
6	a 265787	O-Ring	2	2	2	2
6	a 1527813	O-Ring	2	2	2	2
7	a 1483663	Quick Disconnect Socket.....	2	2	2	2
8	a 1483661	Dust Cap.....	2	2	2	2
9	a 1483664	Quick Disconnect Nipple.....	2	2	2	2
10	a 1486740	Fitting.....	2	2	2	2
10	a 1527813	O-Ring	2	2	2	2
10	a 265787	O-Ring	2	2	2	2
11	1529015	Cap	2	2	2	2
12	1528573	Fitting.....	2	2	2	2
12	265787	O-Ring	4	4	4	4

FOOTNOTES:**a** Used With Quick Disconnect Only

AUXILIARY TUBE EXTENSIONS (Figure 13-15) TWO AND THREE STAGE FULL FREE-LIFT



HP020347

**AUXILIARY TUBE EXTENSIONS
TWO AND THREE STAGE FULL FREE-LIFT**

KEY:

- A: D564, Standard Carriage**
- B: D564, Integral Side-Shift Carriage**
- C: D509, Standard Carriage**
- D: D509, Integral Side-Shift Carriage**

ITEM	PART NO.	DESCRIPTION	QTY			
			A	B	C	D
1	2074408	Tube	1	..
1	2074412	Tube	1
2	2074409	Tube	1	..
2	2074413	Tube	1
3	2074410	Tube	1
3	2074414	Tube	1
4	2074411	Tube	1
4	2074415	Tube	1
5	a 1549715	Fitting	2	2	2	2
5	a 1527813	O-Ring	2	2	2	2
5	a 265787	O-Ring	2	2	2	2
6	a 1483663	Quick Disconnect Socket	2	2	2	2
7	a 1483661	Dust Cap	2	2	2	2
8	a 1483664	Quick Disconnect Nipple	2	2	2	2
9	a 1486740	Fitting	2	2	2	2
9	a 1527813	O-Ring	2	2	2	2
9	a 265787	O-Ring	2	2	2	2
10	1529015	Cap	2	2	2	2
11	1528573	Fitting	2	2	2	2
11	265787	O-Ring	4	4	4	4
12	1550070	Bracket	1	..	1	..
12	1549724	Bracket	1
12	1549718	Bracket	1

FOOTNOTES:

- a** Used With Quick Disconnect Only