

**ELECTRICAL**

ALTERNATOR  
DIESEL  
2,6L ..... Page 188

ALTERNATOR  
PETROL AND LPG  
2,0L ENGINE ..... Page 184

ALTERNATOR  
TYPE GS, LPS, AND DS ..... Page 186

CHASSIS WIRE HARNESS ..... Page 162

CLUSTER HARNESS ..... Page 144

COWL ELECTRICAL ..... Page 140

DISTRIBUTOR  
PETROL AND LPG  
2,0L ENGINE ..... Page 180

DISTRIBUTOR  
PETROL AND LPG  
3,0L ENGINE ..... Page 182

ELECTRICAL  
GM 3,0L  
LPG ..... Page 152

ELECTRICAL  
GM  
PETROL  
3,0L ENGINE ..... Page 148

ELECTRICAL  
MAZDA  
PETROL AND LPG  
2,0L ENGINE ..... Page 158

ELECTRICAL  
PERKINS  
DIESEL  
2,6L ..... Page 160

**ELECTRICAL  
(Continued)**

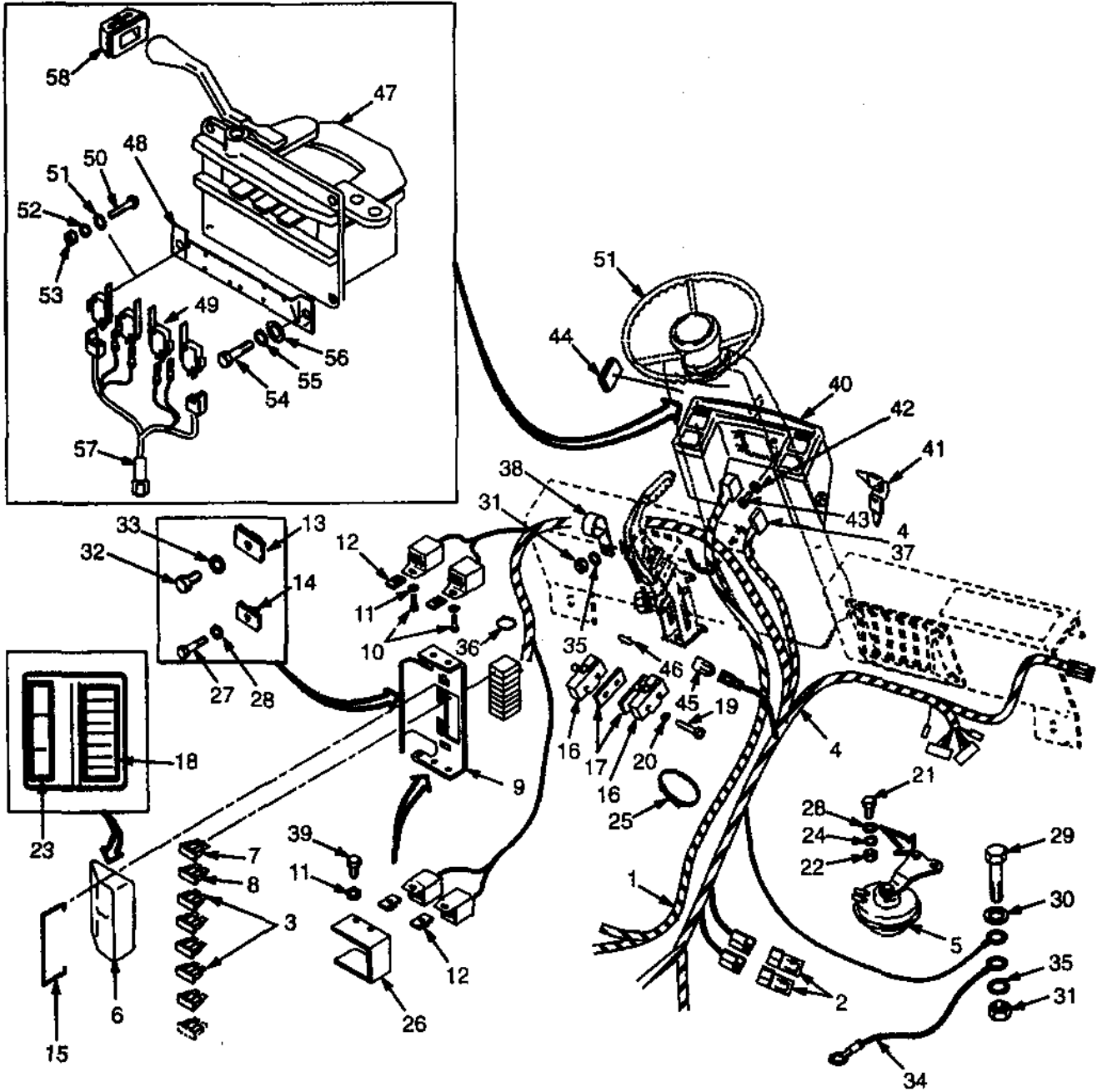
ELECTRICAL	
TYPE DSL 2.6L .....	Page 176
ELECTRICAL	
TYPE GS AND LPS	
2,OL ENGINE .....	Page 174
ELECTRICAL	
TYPE GS AND LPS	
3,OL ENGINE .....	Page 178
ENGINE HARNESS	
LPG	
3,OL ENGINE	
WITH MSTs .....	Page 170
ENGINE HARNESS	
LPG	
3,OL ENGINE	
WITHOUT MSTs .....	Page 168
HARNESS	
COWL .....	Page 142
HARNESS	
DIESEL	
2,6L .....	Page 172
HARNESS	
FORWARD/REVERSE LEVER .....	Page 146
HARNESS	
PETROL AND LPG	
2,OL ENGINE .....	Page 164
HARNESS	
PETROL	
3,OL ENGINE .....	Page 166
INSTRUMENT CLUSTER .....	Page 196
INSTRUMENT PANEL .....	Page 194
LIGHTS .....	Page 200

**ELECTRICAL  
(Continued)**

SHIFT LEVER .....	Page 198
STARTER MOTOR PETROL AND LPG 2.0L ENGINE .....	Page 190
STARTER MOTOR PETROL AND LPG 3.0L ENGINE .....	Page 192

## COWL ELECTRICAL

(Figure 64)

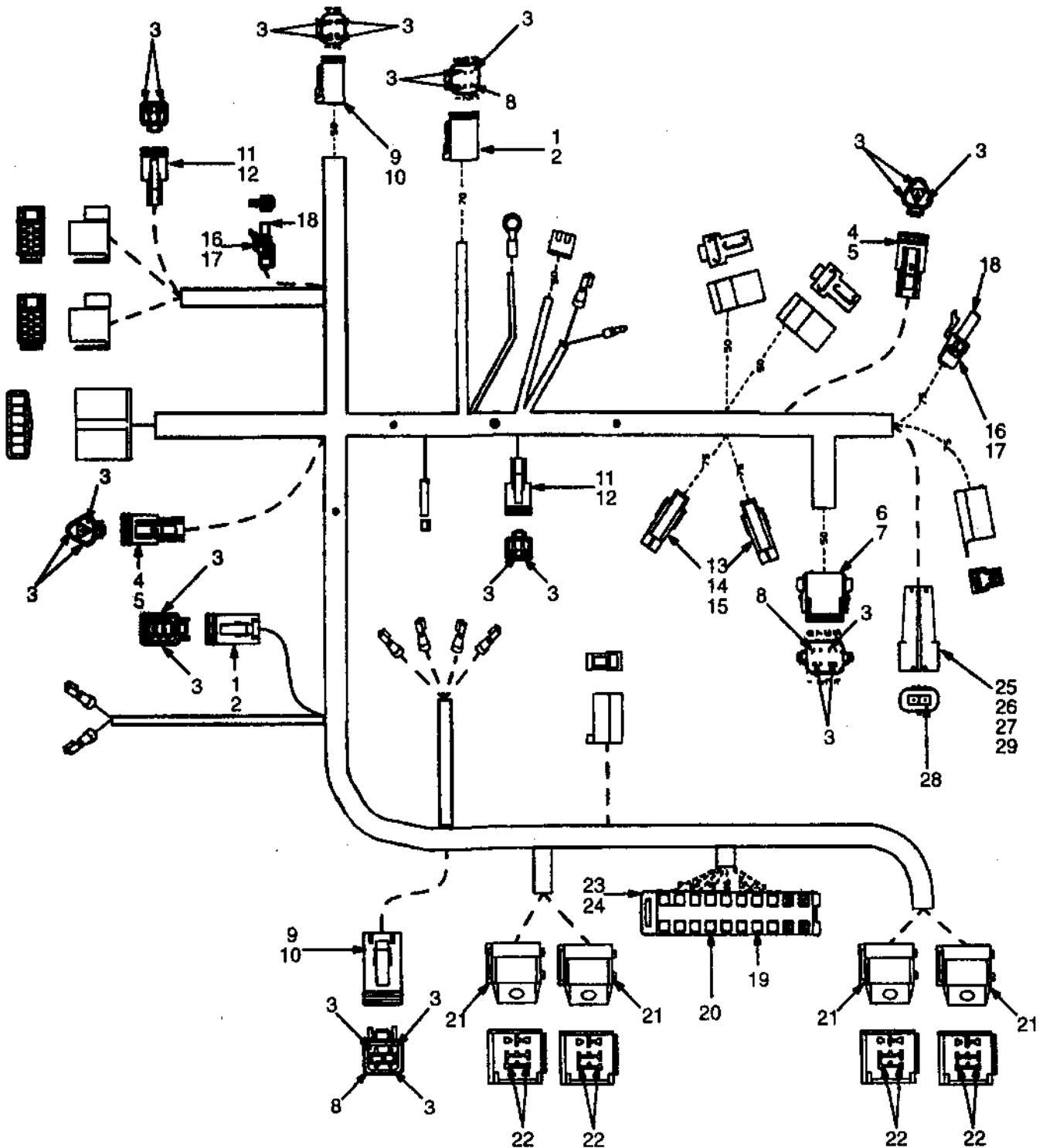


**COWL ELECTRICAL**

REF	PART NO.	NAME OF PART	QTY	REF	PART NO.	NAME OF PART	QTY
1	....	Cluster Harness .....	1	31	292654	Nut .....	3
		☛ Figure 66		32	136681	Hex Head Bolt .....	1
2	1361305	Diode .....	2	33	320157	Washer .....	1
3	1320669	Fuse (30 Amp) .....	1	34	387892	Wire Assy .....	1
4	....	Harness-Cowl .....	1	35	292681	Lockwasher .....	3
		☛ Figure 65		36	137852	Strap Clamp .....	1
5	2021957	Horn .....	1	37	322784	Silicone Grease .....	AR
6	370863	Cover .....	1	38	196395	Clamp .....	2
7	370646	Fuse (5 Amp) .....	1	39	302245	Screw .....	2
8	370647	Fuse (10 Amp) .....	1	40	....	Instrument Cluster .....	1
9	1376748	Bracket .....	1			☛ Figure 89	
10	302244	Screw .....	2	41	1337197	Key .....	1
11	320155	Washer .....	4	42	292680	Lockwasher .....	4
12	1376581	Nut .....	4	43	292500	Hex Head Bolt .....	4
13	1350282	Nut .....	1	44	1343597	Plug (Monotrol Pedal) .....	1
14	1354323	Nut .....	1	45	1351683	End Cap (Monotrol Pedal) .....	1
15	370864	Latch .....	1	46	1361121	Connector	
16	370868	Switch .....	1			(Forward/Reverse Lever) .....	1
16	370868	Switch (Monotrol Pedal) .....	2	47	1347004	Shift Lever	
16 <sup>a</sup>	387869	Boot (Monotrol Pedal) .....	2			(Forward/Reverse Lever) .....	1
17	316132	Spacer .....	1	48	1343595	Plate (Forward/Reverse Lever) .....	1
17	316132	Spacer (Monotrol Pedal) .....	2	49	1343636	Switch .....	4
18	1389485	Label (Fuse Panel) .....	1	50	220426	Screw (Forward/Reverse Lever) ...	8
19	86510	Screw .....	2	51	53162	Lockwasher	
19	86510	Screw (Monotrol Pedal) .....	4			(Forward/Reverse Lever) .....	8
20	138573	Washer .....	2	52	18419	Lockwasher	
20	138573	Washer (Monotrol Pedal) .....	2			(Forward/Reverse Lever) .....	8
21	292500	Hex Head Bolt .....	2	53	16885	Nut (Forward/Reverse Lever) .....	8
22	316834	Nut .....	2	54	292500	Hex Head Bolt	
23	1365860	Label(Fuse) .....	1			(Forward/Reverse Lever) .....	4
24	292680	Lockwasher .....	2	55	262680	Lockwasher	
25	129563	Strap Clamp .....	AR			(Forward/Reverse Lever) .....	4
26	1389475	Bracket .....	1	56	320156	Washer	
27	292501	Hex Head Bolt .....	1			(Forward/Reverse Lever) .....	4
28	320156	Washer .....	3	57	1352088	Harness (Forward/Reverse Lever) ..	1
29	176640	Hex Head Bolt .....	1	58	1343596	Bracket (Forward/Reverse Lever) ..	1
30	320158	Washer .....	1			<sup>a</sup> Type GS, LPS, And DS	

## HARNESS COWL

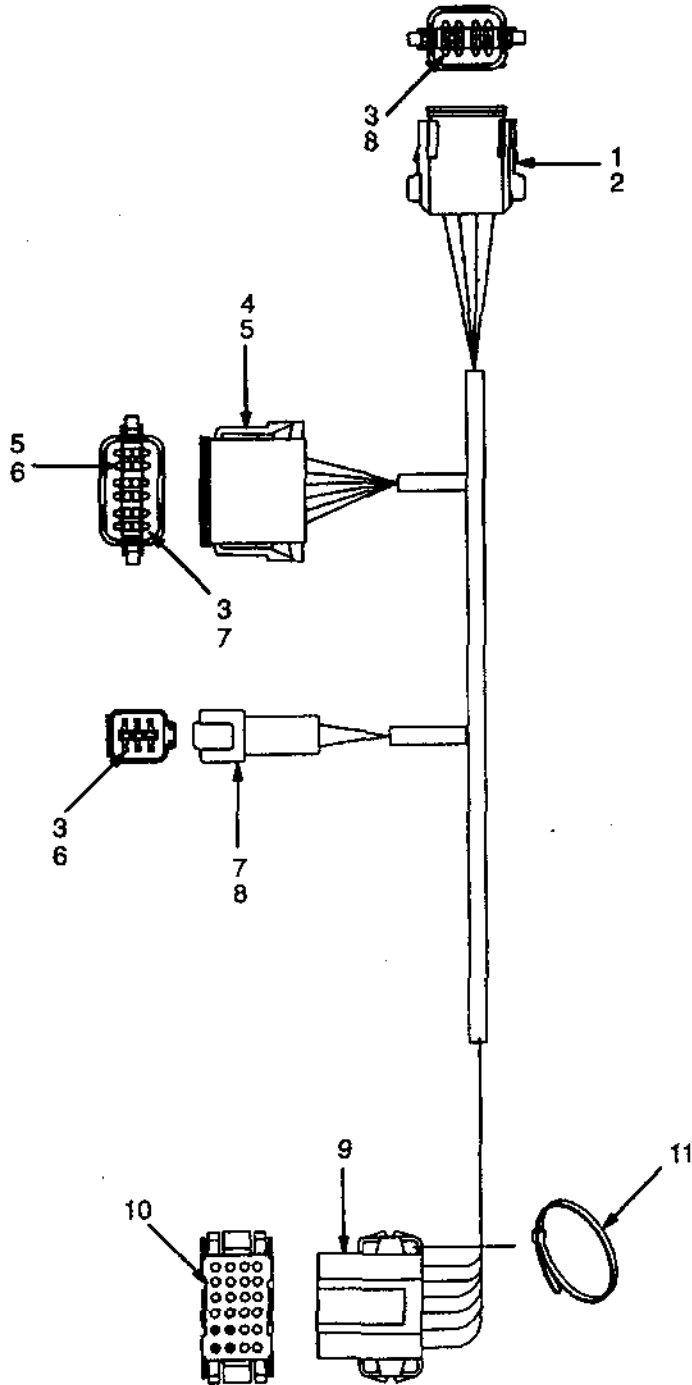
(Figure 65)



**HARNESS  
COWL**

<u>REF</u>	<u>PART NO.</u>	<u>NAME OF PART</u>	<u>QTY</u>	<u>REF</u>	<u>PART NO.</u>	<u>NAME OF PART</u>	<u>QTY</u>
	1376732	Harness-Cowl .....	1	15	1329147	Seal .....	2
1	1330422	Connector .....	2	16	1330299	Connector .....	2
2	1330428	Lock .....	2	17	1329147	Seal .....	2
3	1330438	Socket .....	35	18	1336173	Socket .....	2
4	1330420	Connector .....	2	19	1389479	Terminal .....	14
5	1330426	Lock .....	2	20	1389480	Terminal .....	2
6	1330423	Connector .....	1	21	1347224	Socket .....	4
7	130429	Lock .....	1	22	1331233	Terminal .....	18
8	1330439	Plug .....	3	23	1389476	Fuse Holder .....	1
9	1330421	Connector .....	2	24	1389477	Lock .....	1
10	1330427	Lock .....	2	25	1336870	Connector .....	1
11	1330419	Connector .....	2	26	1336871	Lock .....	1
12	1330424	Lock .....	2	27	1336874	Seal .....	1
13	1330298	Connector .....	2	28	1337393	Terminal .....	1
14	1334999	Pin .....	2	29	1323581	Plug .....	1

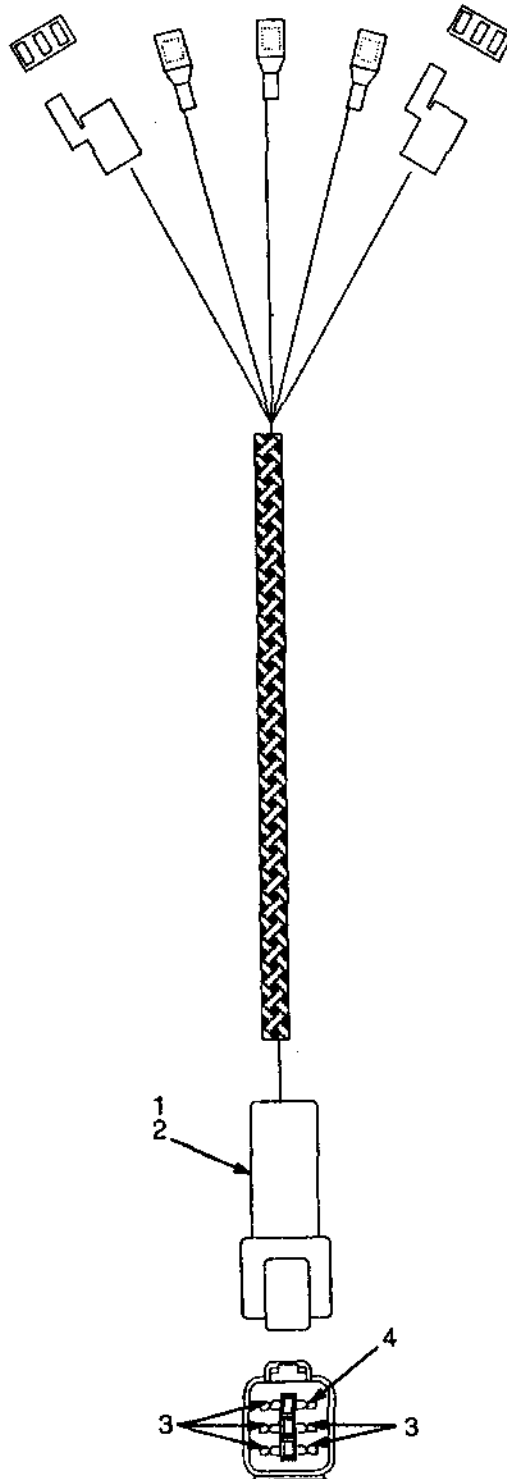
## CLUSTER HARNESS (Figure 66)



**CLUSTER HARNESS**

<u>REF</u>	<u>PART NO.</u>	<u>NAME OF PART</u>	<u>QTY</u>	<u>REF</u>	<u>PART NO.</u>	<u>NAME OF PART</u>	<u>QTY</u>
	1375703	Cluster Harness .....	1	6	1330439	Plug .....	5
1	1330413	Connector .....	1	7	1330412	Connector .....	1
2	1330418	Lock .....	1	8	1330417	Lock .....	1
3	1330433	Pin .....	21	9	1352599	Housing .....	1
4	1352602	Connector .....	1	10	1340958	Pin .....	20
5	1352603	Lock .....	1	11	1352606	Strap .....	1

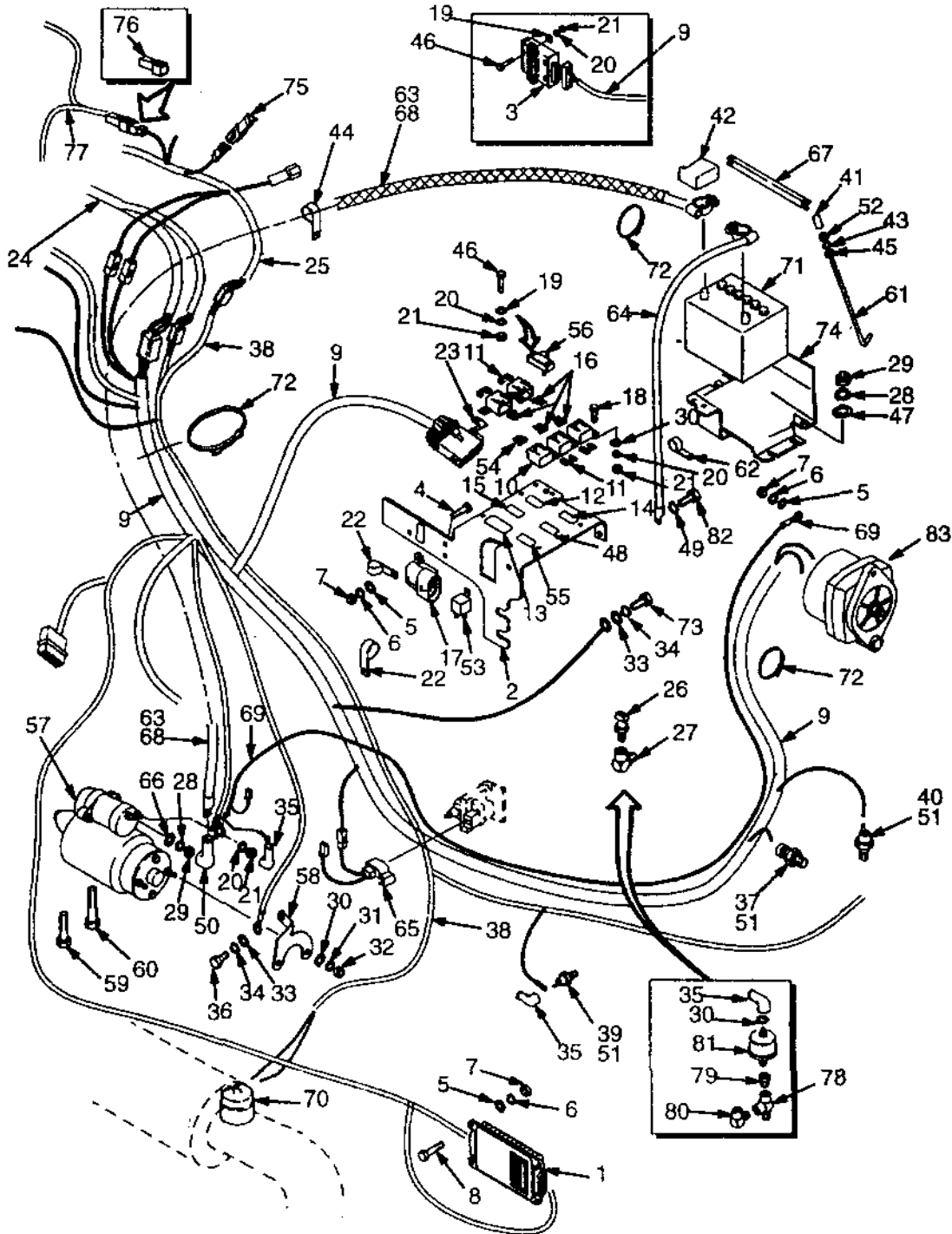
## HARNESS FORWARD/REVERSE LEVER (Figure 67)



**HARNESSES**  
**FORWARD/REVERSE LEVER**

<u>REF</u>	<u>PART NO.</u>	<u>NAME OF PART</u>	<u>QTY</u>	<u>REF</u>	<u>PART NO.</u>	<u>NAME OF PART</u>	<u>QTY</u>
	1352088	Harness-Forward/Reverse .....	1	3	1330435	Pin .....	5
1	1330412	Connector .....	1	4	1330439	Plug .....	1
2	1330417	Lock .....	1				

## ELECTRICAL GM PETROL 3,0L ENGINE (Figure 68)



**ELECTRICAL**  
**GM**  
**PETROL**  
**3,0L ENGINE**

REF	PART NO.	NAME OF PART	QTY	REF	PART NO.	NAME OF PART	QTY
1	1376712	Control Module .....	1	35	190383	Boot (Optional) .....	1
1	1376713	Control Module (Low Noise) .....	1	36	2033592	Hex Head Bolt .....	1
2	1375787	Bracket .....	1	37	1314381	Coolant Sensor .....	1
3	1327951	Governor Module .....	1	38	.....	Chassis Wire Harness .....	1
4	292500	Hex Head Bolt .....	3			☞ Figure 72	
5	320156	Washer .....	8	39	1356105	Low Coolant Sender .....	1
6	292680	Lockwasher .....	8	40	1319190	Temperature Sender .....	1
7	136687	Nut .....	8	41	1326939	Cap .....	2
8	287844	Hex Head Bolt .....	4	42	257241	Boot .....	1
9	.....	Engine Harness .....	1	43	292680	Lockwasher .....	2
		☞ Figure 76		44	325897	Clamp .....	1
10	1330293	Fuse Holder .....	5	45	18500	Washer .....	2
11	1339444	Clip .....	4	46	302250	Screw .....	4
12	1339461	Label .....	1	47	320158	Washer .....	3
13	1339459	Label .....	1	48	1352612	Label .....	1
14	1352178	Label .....	1	49	15156	Lockwasher .....	1
15	1354373	Label .....	1	50	204223	Boot .....	1
16	370647	Fuse (10 Amp) .....	4	51	246108	Sealant .....	AR
17	1330301	Relay (Fuel Pump) .....	1	52	136687	Nut .....	2
18	302246	Screw .....	6	53	1375844	Relay (60 Amp) .....	1
19	320155	Washer .....	4	54	1320669	Fuse (30 Amp) .....	1
20	292679	Lockwasher .....	11	55	1367640	Label .....	1
21	292668	Nut .....	11	56	1314387	MAP Sensor .....	1
22	101625	Clamp .....	1	57	1457047	Starter Motor .....	1
22	101625	Clamp (Optional) .....	1			☞ Figure 87	
23	1376661	Clip .....	1	58	1457120	Bracket .....	1
24	.....	Cluster Harness .....	1	59	1375157	Hex Head Bolt .....	1
		☞ Figure 66		60	1375158	Hex Head Bolt .....	1
25	.....	Cowl Harness .....	1	61	309124	Link .....	2
		☞ Figure 65		62	122175	Clamp .....	1
26	1375878	Oil Pressure Switch .....	1	63	119388	Battery Cable (+) .....	1
27	1376767	Fitting .....	1	64	1379481	Battery Cable (-) .....	1
28	292681	Lockwasher .....	4	65	1314392	Wire .....	1
29	239503	Nut .....	4	66	320157	Washer .....	1
30	197067	Washer .....	8	67	1354379	Battery Hold Down .....	1
31	15152	Lockwasher .....	2	68	275496	Conduit .....	AR
32	15052	Nut .....	2	69	1385863	Harness-Starter/Alternator .....	1
33	18515	Washer .....	2	70	1347067	Air Filter Sender (Optional) .....	1
34	15155	Lockwasher .....	2	71	1383331	Battery (Wet) .....	1
35	190383	Boot .....	1				

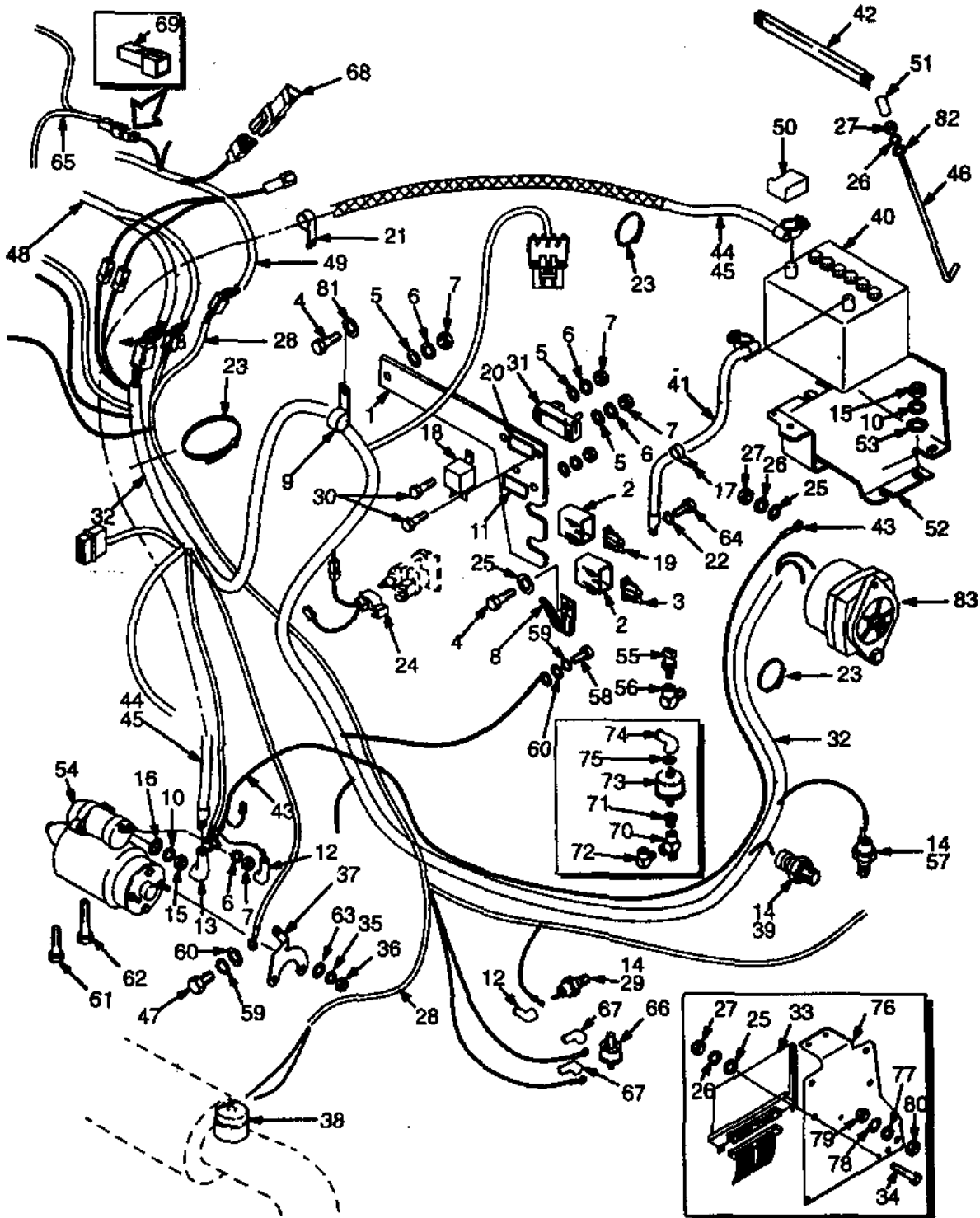
**ELECTRICAL**  
**GM**  
**PETROL**  
**3,0L ENGINE**  
**(CONTINUED)**

<u>REF</u>	<u>PART NO.</u>	<u>NAME OF PART</u>	<u>QTY</u>	<u>REF</u>	<u>PART NO.</u>	<u>NAME OF PART</u>	<u>QTY</u>
72	129563	Strap Clamp .....	AR	78	17216	Fitting (Optional) .....	1
73	16836	Hex Head Bolt .....	1	79	16187	Fitting (Optional) .....	1
74	878778	Tray .....	1	80	17314	Fitting (Optional) .....	1
75	1351682	End Cap (Forward/Reverse Lever) .....	1	81	1356108	Sender-Oil Pressure (Optional) .....	1
76	1351681	End Cap (Forward/Reverse Lever) .....	1	82	18535	Hex Head Bolt .....	2
77	1352099	Neutral Start Harness (Monotrol Pedal) .....	1	83	....	Alternator .....	1
						☞ Figure 84	



**ELECTRICAL**  
**GM 3,0 L**  
**LPG**  
LAST USED ON S/N PENDING PER ECN 73001

(Figure 69A)



**ELECTRICAL**  
**GM 3,0 L**  
**LPG**  
**LAST USED ON S/N PENDING PER ECN 73001**

REF	PART NO.	NAME OF PART	QTY	REF	PART NO.	NAME OF PART	QTY
1	1375847	Bracket	1	33	1376667	MSTS Controller Assy	1
2	1330293	Fuse Holder	2	33	1376750	MSTS Controller	1
3	370647	Fuse (10 Amp)	1	33	1376624	Label	1
4	302246	Screw	3	34	292501	Hex Head Bolt	3
5	320155	Washer	2	35	15152	Lockwasher	2
6	292679	Lockwasher	6	36	15052	Nut	2
7	292668	Nut	6	37	1457120	Bracket	1
8	1360146	Clamp	2	38	1347067	Air Filter Sender (Optional)	1
9	136516	Clamp (Without MSTs)	1	39	14386	Plug (Without MSTs)	1
9	89220	Clamp (With MSTs)	1	39	1314381	Coolant Sensor (With MSTs)	1
10	292681	Lockwasher	4	40	1383331	Battery (Wet)	1
11	1352612	Label	1	41	1379481	Battery Cable	1
12	190383	Boot	2	42	1354379	Battery (Hold Down)	1
13	204223	Boot	1	43	1385863	Harness-Starter/Alternator	1
14	246108	Sealant	AR	44	119388	Battery Cable	1
15	239503	Nut	4	45	275496	Conduit	AR
16	320157	Washer	1	46	309124	Link	2
17	122175	Clamp	1	47	18496	Hex Head Bolt	1
18	1375844	Relay (60 Amp)	1	48	....	Cluster Harness	1
19	1320669	Fuse (30 Amp)	1			☛ Figure 66	
20	1367640	Label	1	49	....	Harness-Cowl	1
21	325897	Clamp	1			☛ Figure 65	
22	15156	Lockwasher	1	50	257241	Boot	1
23	129563	Strap Clamp	AR	51	1326939	Cap	2
24	1314392	Wire (Assy)	1	52	878778	Tray	1
25	320156	Washer	1	53	320158	Washer	3
26	292680	Lockwasher	6	54	1457047	Starter Motor	1
27	136687	Nut	6			☛ Figure 87	
28	....	Chassis Wire Harness	1	55	1375878	Oil Pressure Switch	1
		☛ Figure 72		56	1376767	Fitting	1
29	1356105	Low Coolant Sender	1	57	1319190	Temperature Sender	1
30	302250	Screw (With MSTs)	2	58	16836	Hex Head Bolt	1
30	302245	Screw (Without MSTs)	2	59	15155	Lockwasher	1
31	1314387	MAP Sensor (With MSTs)	1	60	18515	Washer	2
32	....	Engine Harness (With MSTs)	1	61	1375157	Hex Head Bolt	1
		☛ Figure 76		62	1375158	Hex Head Bolt	1
32	....	Engine Harness (Without MSTs)	1				
		☛ Figure 75					

**ELECTRICAL**  
**GM 3.0L**  
**LPG**  
**LAST USED ON S/N PENDING PER ECN 73001**  
**(CONTINUED)**

<u>REF</u>	<u>PART NO.</u>	<u>NAME OF PART</u>	<u>QTY</u>	<u>REF</u>	<u>PART NO.</u>	<u>NAME OF PART</u>	<u>QTY</u>
63	197067	Washer .....	2	73	1356108	Sender-Oil Pressure (Optional) .....	1
64	18535	Hex Head Bolt .....	1	74	190383	Boot .....	1
65	1352066	Harness-Neutral Start (Monotrol Pedal) .....	1	75	197067	Washer .....	1
66	1351133	Pressure Switch .....	1	76	1376655	Bracket .....	1
67	190383	Boot .....	1	77	320158	Washer .....	3
68	1351682	End Cap (Forward/Reverse Lever) .....	1	78	292681	Lockwasher .....	3
69	1351681	End Cap (Forward/Reverse Lever) .....	1	79	239503	Nut .....	3
70	17216	Fitting (Optional) .....	1	80	1375848	Spacer .....	3
71	16187	Fitting (Optional) .....	1	81	197067	Washer .....	3
72	17314	Fitting (Optional) .....	1	82	18500	Washer .....	2
				83	....	Alternator .....	1

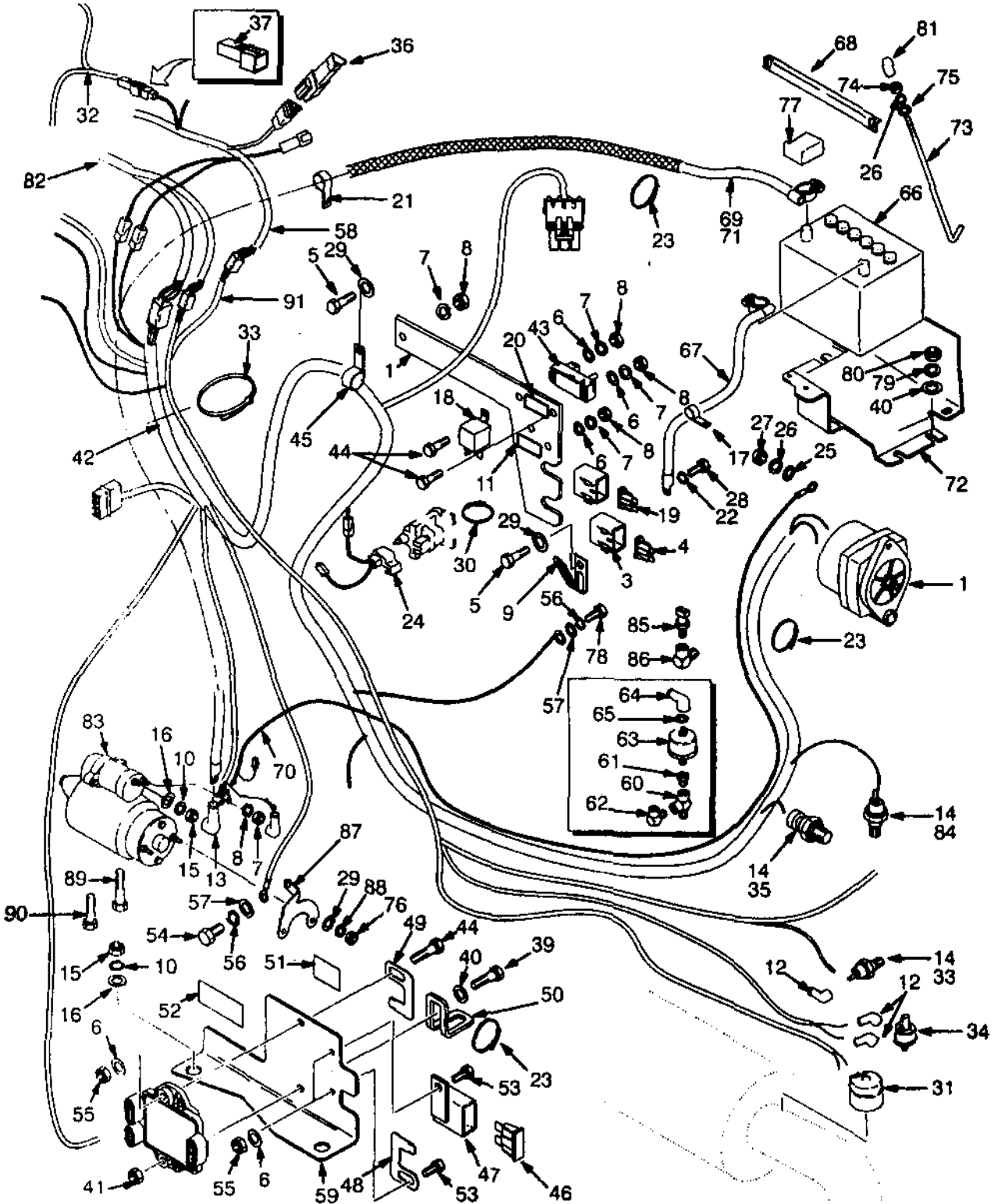
☛ Figure 84

**ELECTRICAL**  
**GM 3,OL**  
**LPG**  
**FIRST USED ON S/N PENDING PER ECN 73001**

KEY - A : WITH (MSTS)  
B : WITHOUT (MSTS)

				QTY							QTY		
REF	PART NO.	NAME OF PART	A	B	C	REF	PART NO.	NAME OF PART	A	B	C		
1	1394003	Alternator .....	1	1		44	302245	Screw .....			2		
2	1375847	Bracket .....	1	1		45	89220	Clamp .....			1		
3	1330293	Fuse Holder .....	2	2		45	136516	Clamp .....	1	..			
4	370647	Fuse (IOAmp) .....	1	1		46	370647	Fuse .....	1	..			
5	302246	Screw .....	3	3		47	1330293	Cover(Fuse) .....	1	..			
6	320155	Washer .....	5	2		48	1339444	Clip .....	1	..			
7	292679	Lockwasher .....	6	6		49	1376661	Clip .....	1	..			
8	292668	Nut .....	6	6		50	1385873	Strap .....	1	..			
9	1360146	Clamp .....	2	2		51	1339461	Label .....	1	..			
10	292681	Lockwasher .....	3	1		52	1339459	Label .....	1	..			
11	1352612	Label .....	1	1		53	302246	Screw .....	2	..			
12	190383	Boot .....	3	3		54	18496	Hex Head Bolt .....	1	1			
13	204223	Boot .....	1	1		55	302398	Nut .....	3	..			
14	246108	Sealant .....		AR	AR	56	15155	Lockwasher .....	2	2			
15	239503	Nut .....	1	1		57	18515	Washer .....	2	2			
16	320157	Washer .....	3	1		58	.....	Cowl Harness .....	1	1			
17	122175	Clamp .....	1	1		59	1	459383 Bracket .....	1	..			
18	1375844	Relay (60 Amp) .....	1	1		60	17216	Fitting .....	1	1			
19	1320669	Fuse (30 Amp) .....	1	1		61	16187	Fitting .....	1	1			
20	1367640	Label .....	1	1		62	17314	Fitting .....	1	1			
21	325897	Clamp .....	1	1		63	1356108	Oil Pressure Sender .....	1	1			
22	15156	Lockwasher .....	1	1		64	190383	Boot .....	1	1			
23	129563	Strap Clamp .....		AR	AR	65	197067	Washer .....	1	1			
24	1314392	Wire Assy .....	1	1		66	1383331	Battery (Wet) .....	1	1			
25	320156	Washer .....	1	1		67	1379481	Battery Cable (Negative) .....	1	1			
26	292680	Lockwasher .....	3	3		68	1354379	Bar .....	1	1			
27	136687	Nut .....	1	1		69	275496	Conduit .....		AR	AR		
28	18535	Hex Head Bolt .....	2	2		70	1385863	Harness (Starter Motor) .....	1	1			
29	197067	Washer .....	5	5		71	119388	Battery Cable (Positive) .....	1	1			
30	114312	Strap Clamp .....		AR	AR	72	1458009	Tray .....	1	1			
31	1347067	Air Filter Sender .....	1	1		73	309124	Link .....	2	2			
32	1352066	Wire Harness (Neutral Start Monotrol) .....	1	1		74	136687	Nut .....	2	2			
33	1356105	Coolant Sender .....	1	1		75	18500	Washer .....	2	2			
34	1351133	Low Pressure Switch .....	1	1		76	15052	Nut .....	2	2			
35	14386	Fitting .....		1		77	257241	Boot .....	1	1			
36	1 351682	End Cap Connector (Forward/Reverse Lever) .....	1	1		78	16836	Hex Head Bolt .....	1	1			
37	1351681	End Cap Connector (Forward/Reverse Lever) .....	1	1		79	292681	Lockwasher .....	3	3			
38	8504285	MSTS Controller Assy .....	1	..		80	239503	Nut .....	3	3			
38	1459032	MSTS Controller .....		1		81	1326939	Cap .....	2	2			
38	1459037	Label .....	1	..		82	1375703	Cluster Harness .....	1	1			
39	292503	Hex Head Bolt .....	1	..		83	1457047	Starter Motor .....	1	1			
40	320158	Washer .....	4	3		84	1319190	Temperature Sender .....	1	1			
41	302399	Nut .....	1	..		85	1375878	Oil Pressure Switch .....	1	1			
42	8504312	Engine Harness .....	1	..		86	1376767	Fitting .....	1	1			
42	1383401	Engine Harness .....		1		87	1457120	Bracket .....	1	1			
43	1314387	MAP Sensor .....	1	..		88	15152	Lockwasher .....	2	2			
44	302250	Screw .....	3	..		89	1375158	Hex Head Bolt .....	1	1			
						90	1375157	Hex Head Bolt .....	1	1			
						91	1376747	Chassis Harness .....	1	1			

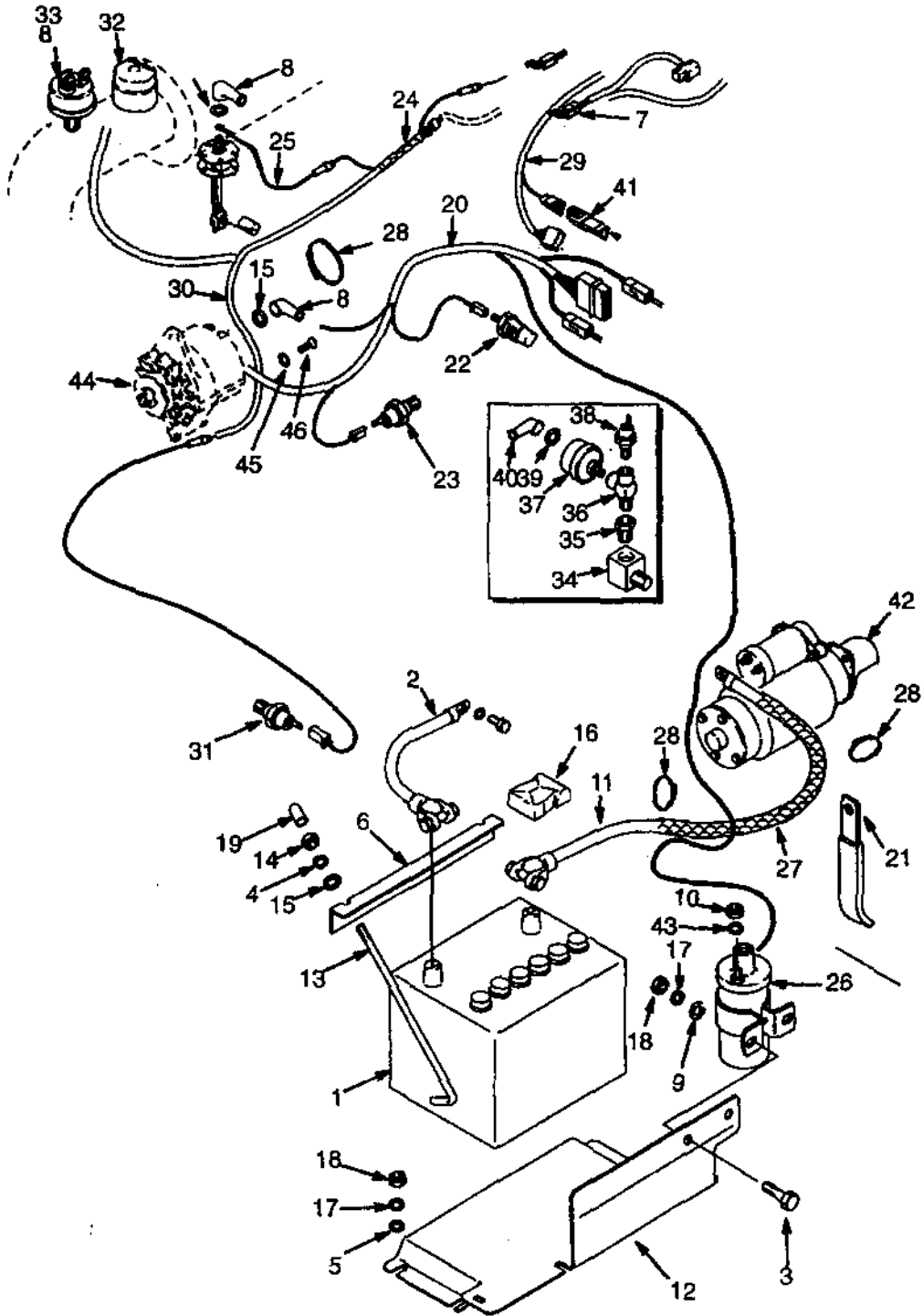
## ELECTRICAL GM 3,OL LPG FIRST USED ON S/N PENDING PER ECN 73001 (Figure 69B)





## ELECTRICAL MAZDA PETROL AND LPG 2,0L ENGINE

(Figure 70)

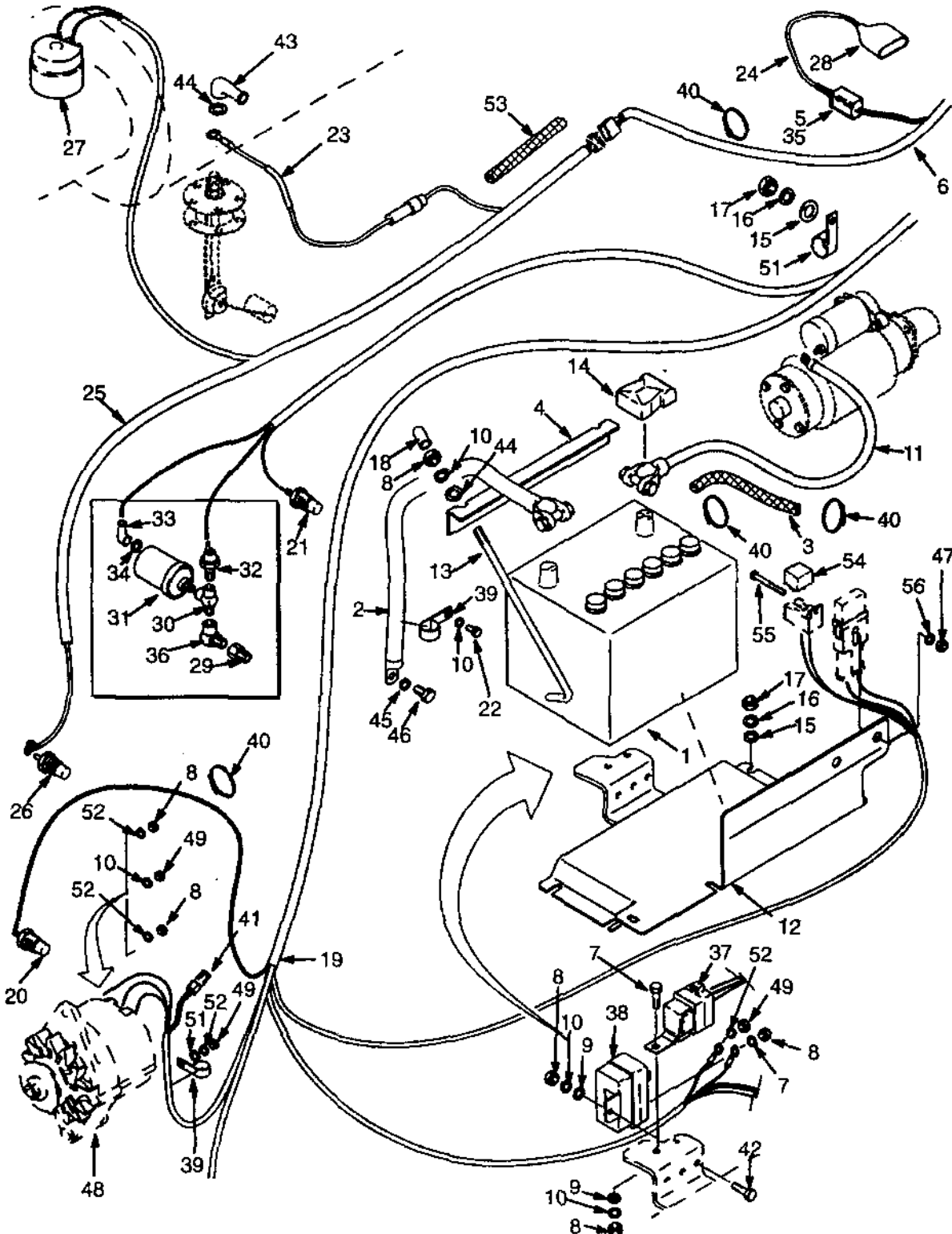


**ELECTRICAL  
MAZDA  
PETROL AND LPG  
2,0L ENGINE**

REF	PART NO.	NAME OF PART	QTY	REF	PART NO.	NAME OF PART	QTY
1	1383331	Battery (Wet) .....	1	26	1324278	Ignition Coil .....	1
1 <sup>a</sup>	177894	Battery (Dry) .....	1	27	275496	Conduit (51 in.) .....	1
2	153931	Battery Cable .....	1	28	129563	Strap Clamp .....	AR
3	136681	Hex Head Bolt .....	2	29 <sup>b</sup>	1352066	Neutral Start Harness .....	1
4	292680	Washer .....	2	30	....	Chassis Wire Harness .....	1
5	320158	Washer .....	3			☞ Figure 72	
6	1354379	Support (Battery) .....	1	31	1356105	Low Coolant Sender .....	1
7	1351681	Connector .....	1	32	1347067	Air Restriction Indicator .....	1
8	190383	Boot .....	3	33 <sup>c</sup>	1351133	Pressure Switch (Fuel Low) .....	1
9	320157	Washer .....	2	34 <sup>a</sup>	16151	Fitting .....	1
10	292668	Nut .....	2	35 <sup>a</sup>	367224	Adapter .....	1
11	1450104	Battery Cable .....	1	36 <sup>a</sup>	16186	Fitting .....	1
12	878777	Tray .....	1	37 <sup>a</sup>	1356108	Oil Pressure (Sender) .....	1
13	309124	Link .....	2	38 <sup>a</sup>	1368983	Oil Pressure Switch .....	1
14	136687	Nut .....	2	39 <sup>a</sup>	18500	Washer .....	1
15	18500	Washer .....	2	40 <sup>a</sup>	190383	Boot .....	1
16	257241	Boot .....	1	41 <sup>d</sup>	1351682	Connector (Body) .....	1
17	292681	Washer .....	3	42	1362069	Starter Motor .....	1
18	239503	Nut .....	5			☞ Figure 86	
19	1326939	Cap .....	2	43	292679	Washer .....	2
20	1385862	Harness-Engine .....	1	44	....	Alternator .....	1
		☞ Figure 73				☞ Figure 83, Figure 84	
21	1360146	Clamp .....	2	45	296378	Washer .....	1
22	1360086	Oil Pressure Switch .....	1	46	302033	Screw .....	1
22 <sup>a</sup>	2026608	Oil Pressure Switch .....	1			<sup>a</sup> Optional	
23	1367633	Temperature Sender .....	1			<sup>b</sup> Monotrol Pedal	
24	275498	Conduit (15 in.) .....	1			<sup>c</sup> LPG	
25	1356131	Fuel Sender Harness .....	1			<sup>a</sup> Forward/Reverse Lever	

## ELECTRICAL PERKINS DIESEL 2,6L

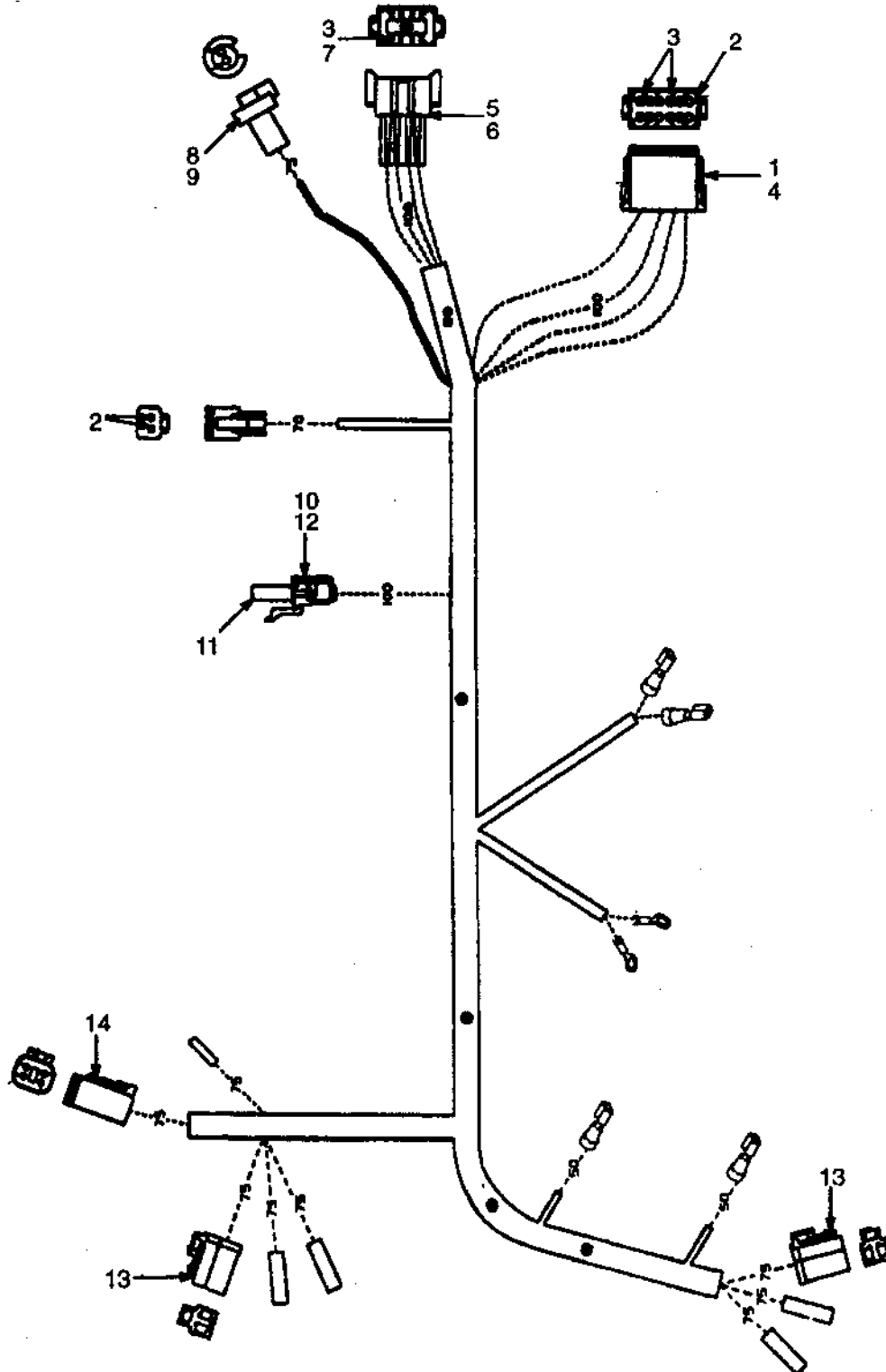
(Figure 71)



**ELECTRICAL**  
**PERKINS**  
**DIESEL**  
**2,6L**

REF	PART NO.	NAME OF PART	QTY	REF	PART NO.	NAME OF PART	QTY
1	1377998	Battery .....	1	31 <sup>a</sup>	1356108	Oil Pressure Switch .....	1
2	1396341	Battery Cable .....	1	32 <sup>a</sup>	1368983	Oil Pressure Switch .....	1
3	275496	Conduit .....	AR	33 <sup>a</sup>	190383	Boot .....	1
4	1354379	Bracket .....	1	34 <sup>a</sup>	18500	Washer .....	1
5 <sup>c</sup>	1351681	Connector .....	1	35 <sup>c</sup>	1351682	Connector .....	1
6	1359624	Chassis Wire Harness .....	1	36 <sup>a</sup>	16151	Fitting .....	1
7	292501	Hex Head Bolt .....	3	37	1375794	Timer Relay .....	1
8	136687	Nut .....	5	38	1396335	Glow Plug Relay .....	1
9	320156	Washer .....	3	39	132972	Clamp .....	3
10	292680	Washer .....	5	40	129563	Strap Clamp .....	AR
11	246855	Battery Cable .....	1	41	1361305	Diode .....	1
12	1458009	Tray .....	1	42	287816	Hex Head Bolt .....	1
13	309124	Link .....	2	43	190383	Boot .....	1
14	257241	Boot .....	1	44	18500	Washer .....	1
15	320158	Washer .....	3	45	292684	Washer .....	1
16	292681	Washer .....	3	46	293661	Hex Head Bolt .....	1
17	239503	Nut .....	3	47	323864	Strap Clamp .....	1
18	1326939	Cap .....	2	48	203230	Clamp .....	1
19	.....	Engine Harness .....	1	49	292667	Washer .....	1
		☞ Figure 77		50	1457874	Alternator .....	1
20	1319175	Temperature Sender .....	1			☞ Figure 85	
21	1360086	Oil Pressure Switch .....	1	51	292668	Nut .....	1
21 <sup>a</sup>	2026608	Oil Pressure Switch .....	1	52	173247	Clamp .....	1
22	293600	Hex Head Bolt .....	1	53	320155	Washer .....	1
23	1356131	Fuel Sender Harness .....	1	54	292679	Washer .....	1
24 <sup>b</sup>	1352066	Neutral Start Harness .....	1	55	275498	Conduit ( 15 in. ) .....	1
25	.....	Chassis Wire Harness .....	1	56	1456464	Relay .....	1
		☞ Figure 72		57	302027	Screw .....	2
26	1356105	Low Coolant Sender .....	1	58	197066	Washer .....	2
27	1347067	Air Filter Sender .....	1			<sup>a</sup> Optional	
28	190380	Boot .....	1			<sup>b</sup> Monotrol Pedal	
29 <sup>a</sup>	367224	Adapter .....	1			<sup>c</sup> Forward/Reverse Lever	
30 <sup>a</sup>	16186	Fitting .....	1				

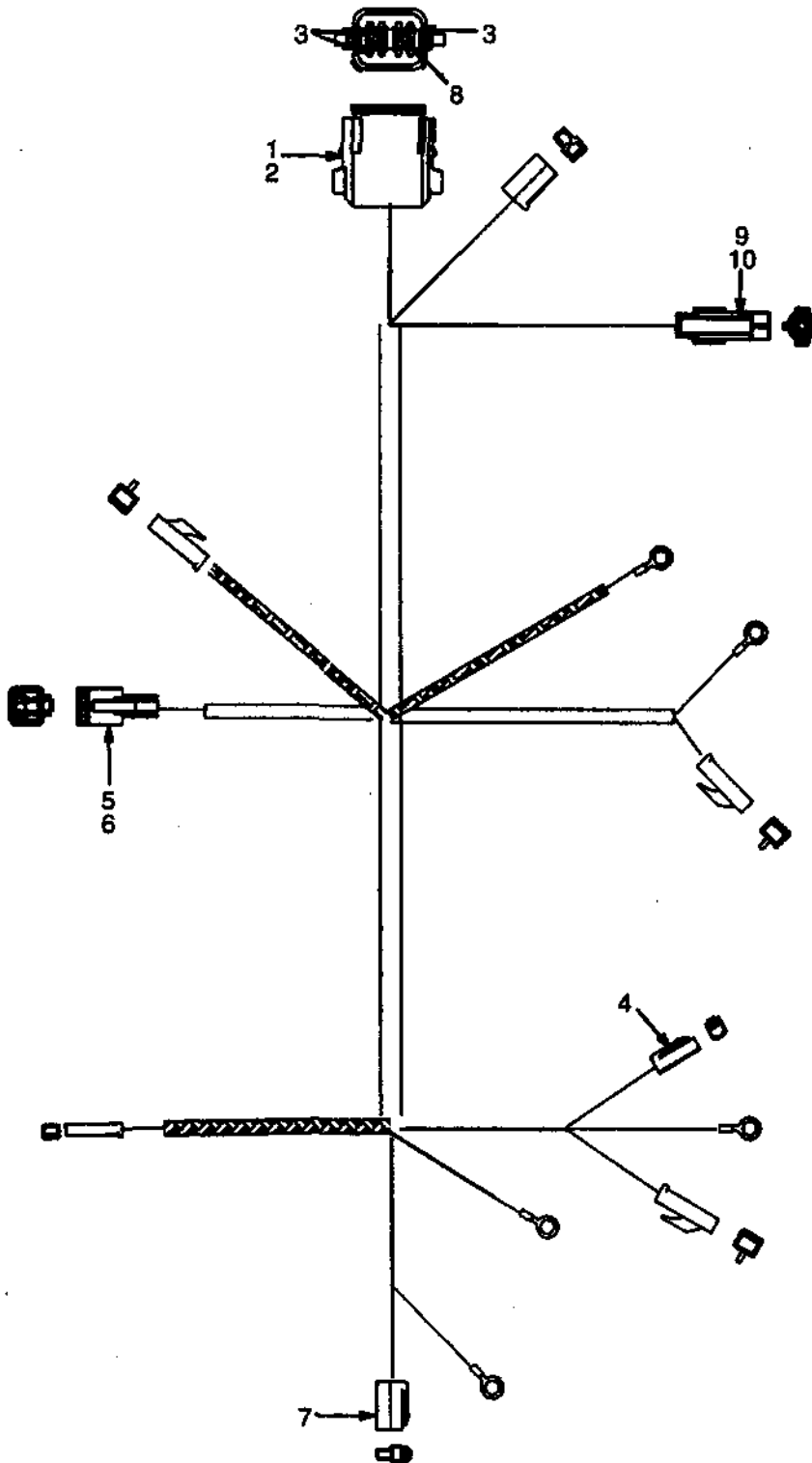
## CHASSIS WIRE HARNESS (Figure 72)



**CHASSIS WIRE HARNESS**

<u>REF</u>	<u>PART NO.</u>	<u>NAME OF PART</u>	<u>QTY</u>	<u>REF</u>	<u>PART NO.</u>	<u>NAME OF PART</u>	<u>QTY</u>
	1376747	Chassis Wire Harness .....	1	8	1351070	Connector .....	1
1	1351068	Connector .....	1	9	1351076	Seal .....	1
2	1330438	Socket .....	11	10	1330299	Connector .....	1
3	1330439	Plug .....	8	11	1323583	Socket .....	1
4	1351069	Lock .....	1	12	1323579	Seal .....	1
5	1330413	Connector .....	1	13	1351099	Connector .....	1
6	1330418	Lock .....	1	14	1330421	Connector .....	1
7	1330437	Pin .....	7				

## HARNESS PETROL AND LPG 2.0L ENGINE (Figure 73)

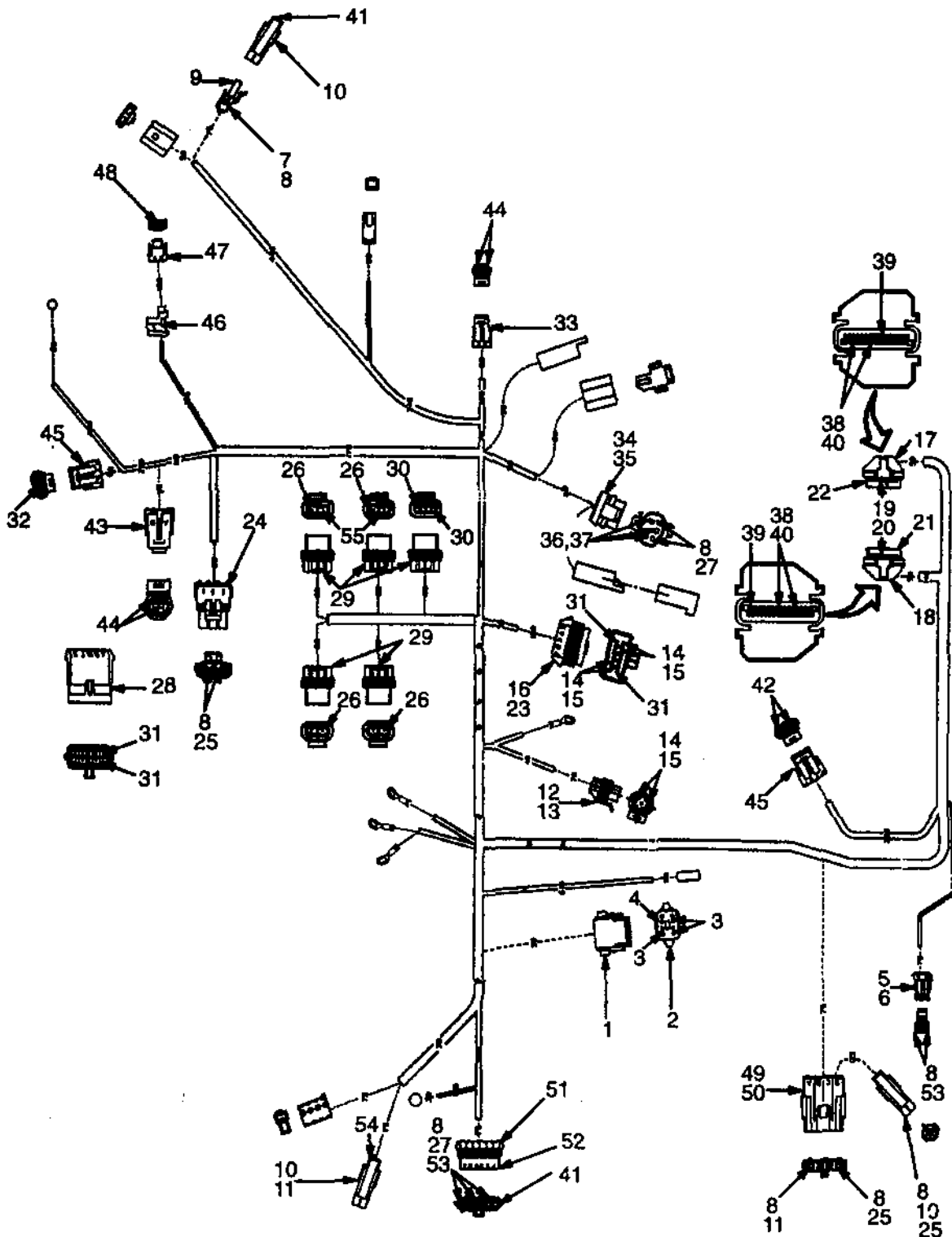


**HARNESS  
PETROL AND LPG  
2.0L ENGINE**

<u>REF</u>	<u>PART NO.</u>	<u>NAME OF PART</u>	<u>QTY</u>	<u>REF</u>	<u>PART NO.</u>	<u>NAME OF PART</u>	<u>QTY</u>
	1385862	Engine Harness .....	1	6	1330424	Lock .....	1
1	1330423	Connector .....	1	7	1308259	Connector .....	1
2	1330428	Lock .....	1	8	1330439	Plug .....	3
3	1330438	Socket .....	5	9	1330298	Connector .....	1
4	1334311	Connector .....	1	10	1334999	Pin .....	1
5	1330419	Connector .....	1				

## HARNESSES PETROL 3,0L ENGINE

(Figure 74)

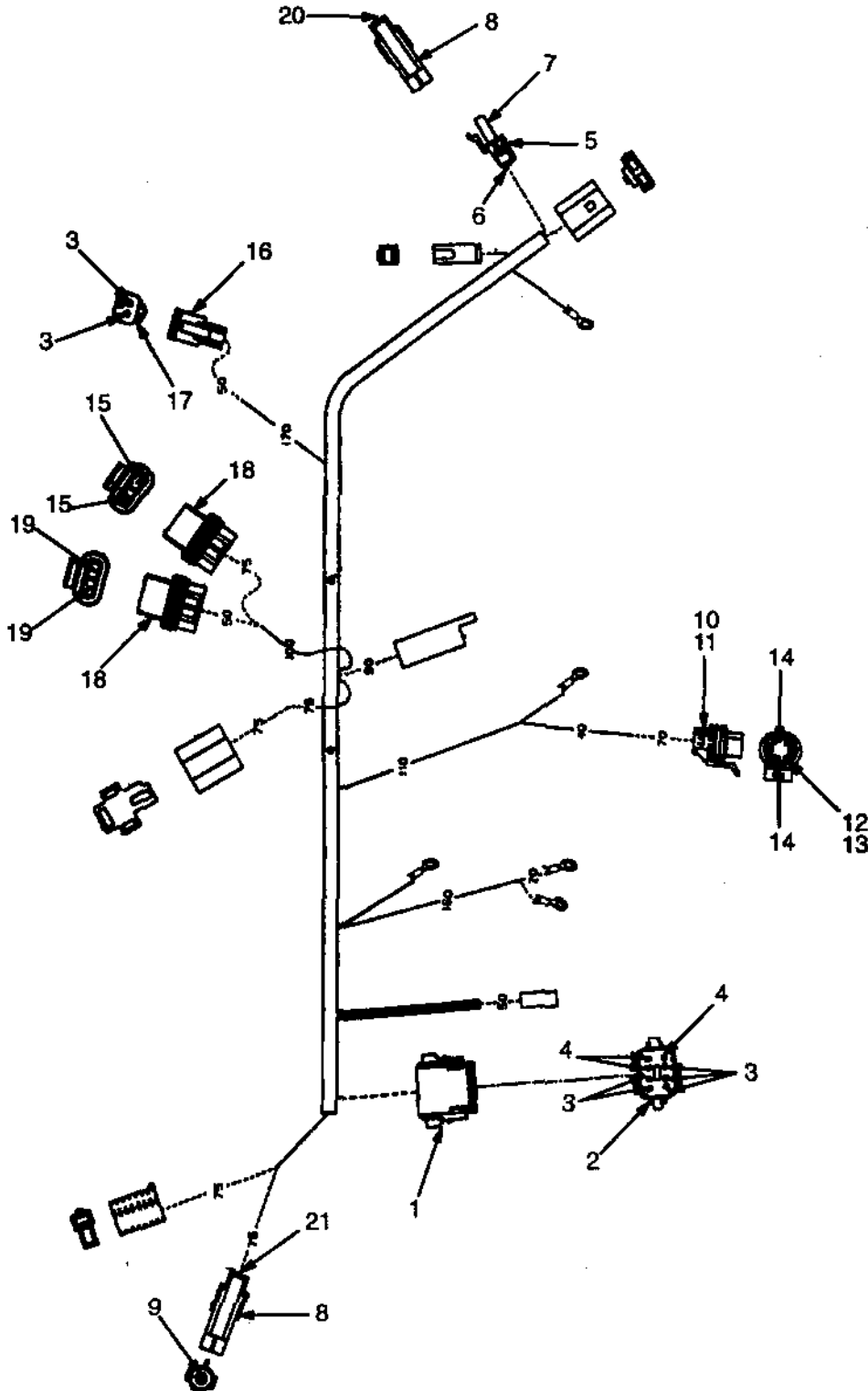


**HARNESSES  
 PETROL  
 3,0L ENGINE**

REF	PART NO.	NAME OF PART	QTY	REF	PART NO.	NAME OF PART	QTY
	1385860	Engine Harness .....	1	28	1376618	Receptacle .....	1
1	1330423	Connector .....	1	29	1330292	Connector .....	5
2	1330429	Lock .....	1	30	1336171	Terminal .....	2
3	1330438	Socket .....	6	31	1351139	Plug .....	16
4	1330439	Plug .....	2	32	1330296	Terminal .....	4
5	1329152	Connector .....	1	33	1323586	Connector .....	1
6	1329151	Lock .....	2	34	1330302	Connector-Fuel Pump Relay .....	1
7	1330299	Connector .....	1	35	1330303	Lock .....	1
8	1323579	Seal .....	18	36	1330304	Terminal .....	3
9	1336173	Socket .....	1	37	1337386	Seal .....	3
10	1330298	Connector .....	3	38	1352104	Terminal .....	13
11	1334999	Pin .....	3	39	1352105	Plug .....	36
12	1347210	Connector .....	1	40	1368073	Terminal .....	15
13	1330357	Lock .....	1	41	1327164	Plug .....	2
14	1330355	Terminal .....	7	42	1352142	Terminal .....	4
15	1330356	Seal .....	7	43	1327957	Connector .....	1
16	1376617	Connector .....	2	44	1354237	Terminal .....	5
17	1350218	Strain Relief (LH) .....	1	45	1323575	Connector .....	2
18	1350219	Strain Relief (RH) .....	1	46	1356501	Grommet .....	1
19	1350220	Connector .....	2	47	1327960	Connector .....	1
20	1350221	Seal .....	2	48	1330296	Terminal .....	2
21	1350222	Terminal Cap (Clear) .....	1	49	1337789	Lock .....	1
22	1350223	Terminal Cap (Black) .....	1	50	1334998	Connector .....	1
23	1376619	Lock .....	1	51	1330297	Lock .....	1
24	1327958	Connector .....	1	52	1327959	Connector .....	1
25	1323578	Pin .....	6	53	1329148	Terminal .....	5
26	1330283	Terminal .....	6	54	1329147	Seal .....	1
27	1330281	Terminal .....	3	55	1354204	Terminal .....	2

## ENGINE HARNESS LPG 3,0L ENGINE WITHOUT MSTs

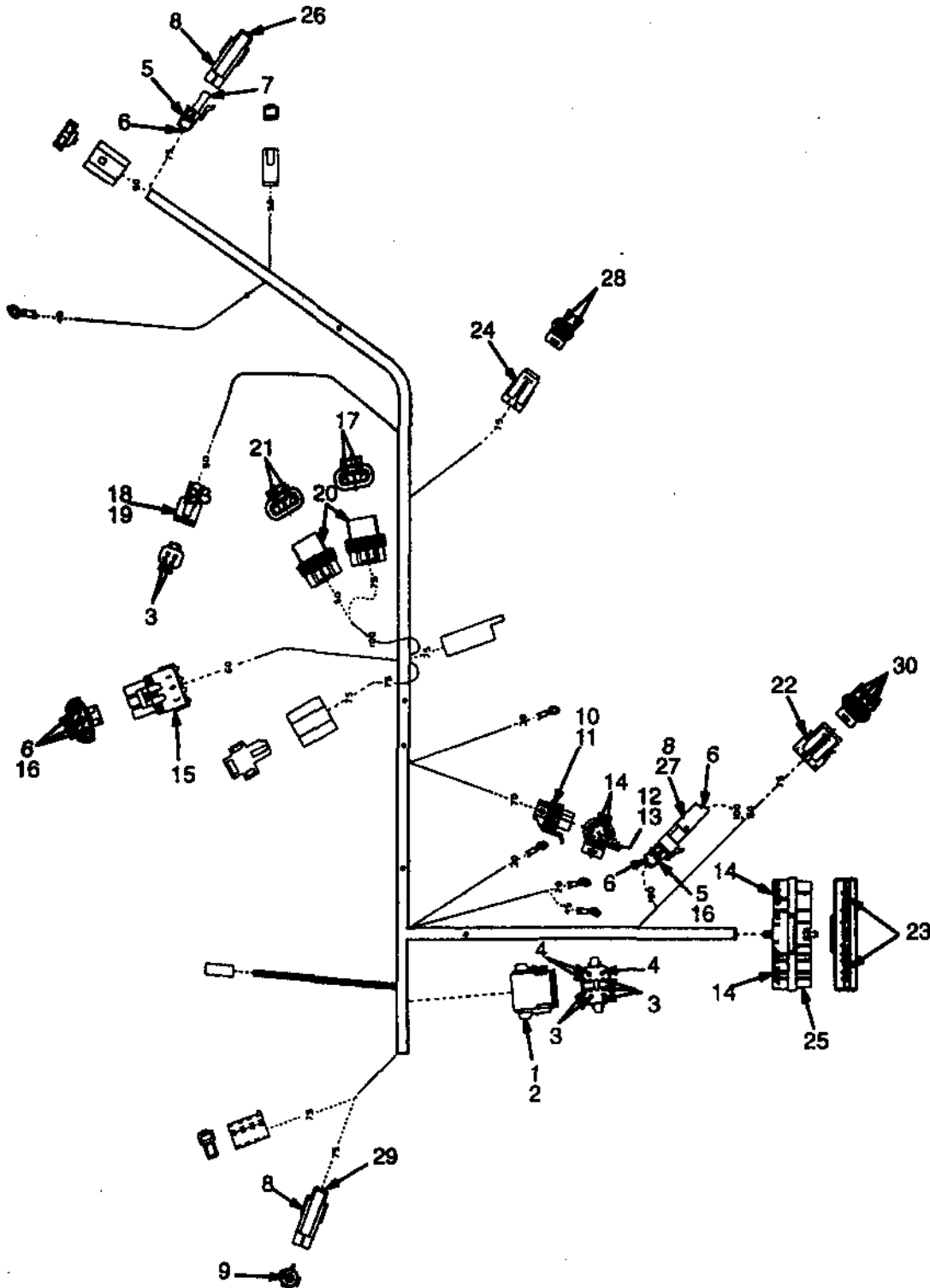
(Figure 75)



**ENGINE HARNESS  
LPG  
3,0L ENGINE  
WITHOUT MSTs**

<u>REF</u>	<u>PART NO.</u>	<u>NAME OF PART</u>	<u>QTY</u>	<u>REF</u>	<u>PART NO.</u>	<u>NAME OF PART</u>	<u>QTY</u>
	1383401	Harness .....	1	11	1330357	Lock .....	1
1	1330423	Connector .....	1	12	1330355	Terminal .....	1
2	1330429	Lock .....	1	13	1330356	Seal .....	1
3	1330438	Socket .....	7	14	1323581	Plug .....	2
4	1330439	Plug .....	3	15	1330283	Terminal .....	2
5	1330299	Connector .....	1	16	1330419	Connector .....	1
6	1323579	Seal .....	1	17	1330424	Lock .....	1
7	1336173	Socket .....	1	18	1330292	Connector .....	2
8	1330298	Connector .....	2	19	1336171	Terminal .....	2
9	1334999	Pin .....	1	20	1327164	Plug .....	1
10	1347210	Connector .....	1	21	1329147	Seal .....	1

## ENGINE HARNESS LPG 3.0L ENGINE WITH MSTs (Figure 76)

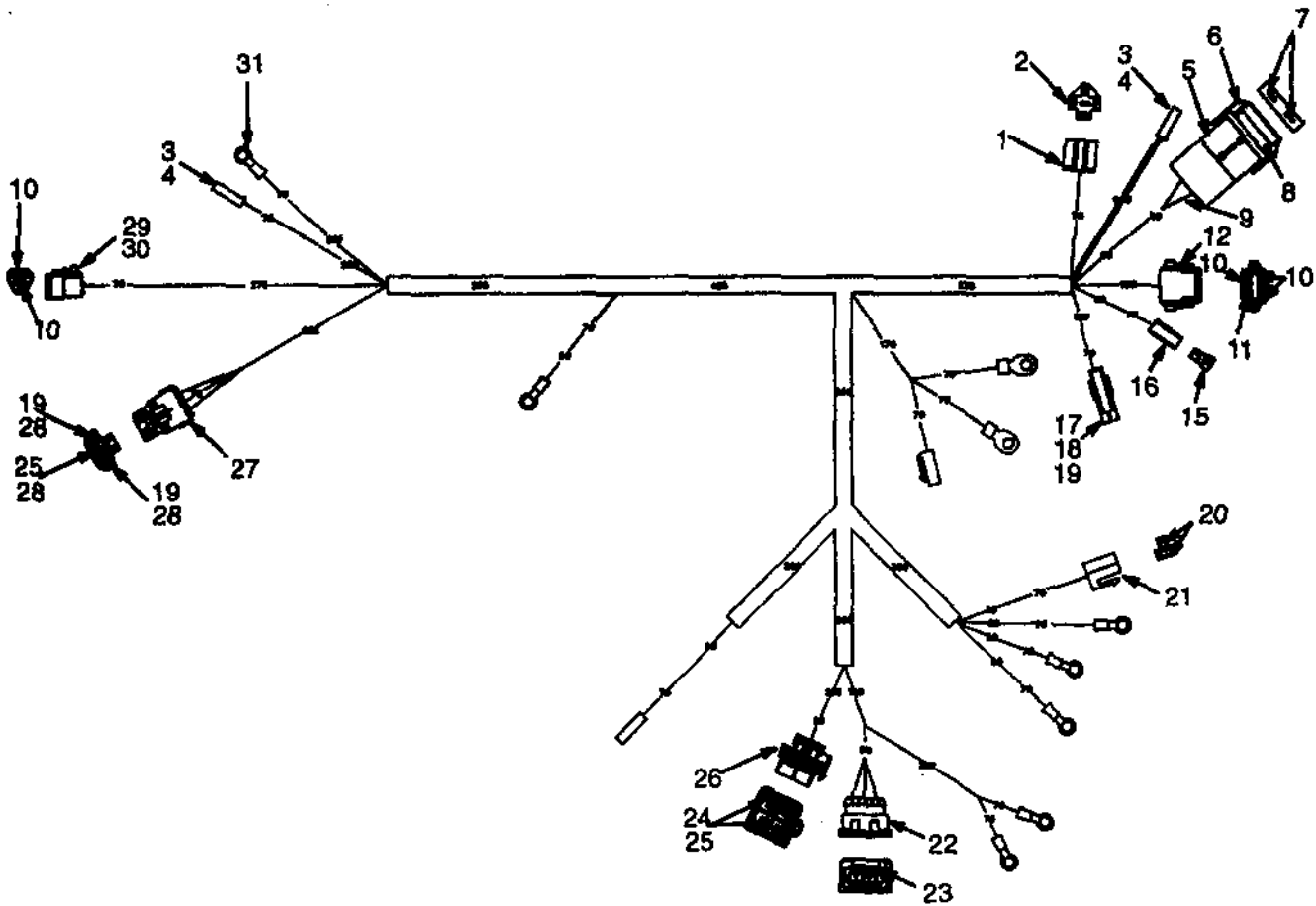


**ENGINE HARNESS  
 LPG  
 3,0L ENGINE  
 WITH MSTs**

REF	PART NO.	NAME OF PART	QTY	REF	PART NO.	NAME OF PART	QTY
	1383421	Harness .....	1	16	1323578	Pin .....	4
1	1330423	Connector .....	1	17	1330283	Terminal .....	2
2	330429	Lock .....	1	18	1330419	Connector .....	1
3	1330438	Socket .....	7	19	1330424	Lock .....	1
4	1330439	Plug .....	3	20	1330292	Connector .....	2
5	1330299	Connector .....	2	21	1336171	Terminal .....	2
6	1323579	Seal .....	6	22	1323575	Connector .....	1
7	1336173	Socket .....	1	23	1323576	Terminal .....	10
8	1330298	Connector .....	3	24	1323586	Connector .....	1
9	1334999	Pin .....	1	25	1323580	Connector .....	1
10	1347210	Connector .....	1	26	1327164	Plug .....	1
11	1330357	Lock .....	1	27	1323583	Socket .....	1
12	1330355	Terminal .....	1	28	1354237	Terminal .....	2
13	1330356	Seal .....	1	29	1329147	Seal .....	1
14	1323581	Plug .....	6	30	1352142	Terminal .....	4
15	1327958	Connector .....	1	30	1354237	Terminal (Optional) .....	4

## HARNESS DIESEL 2.6L

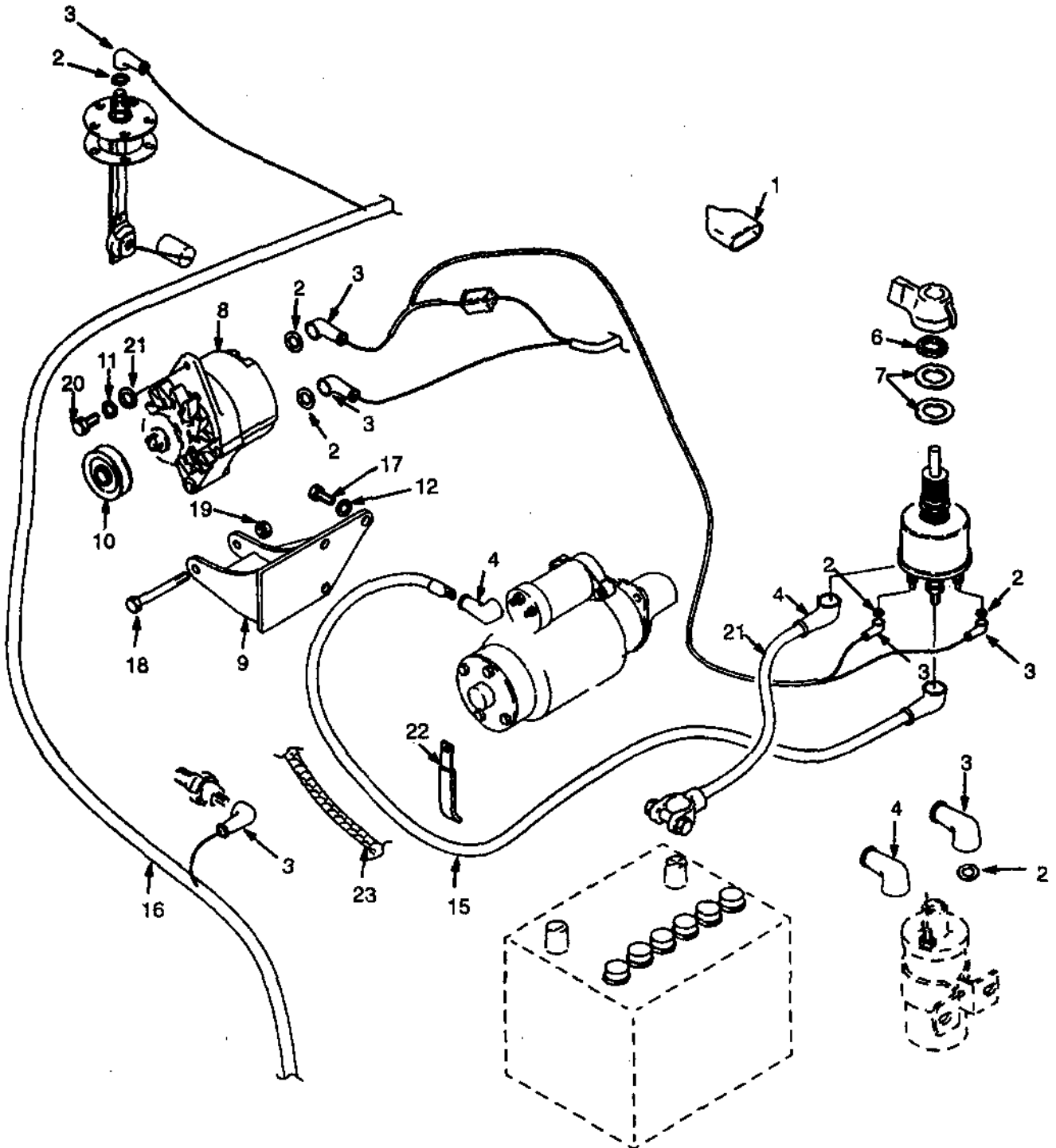
(Figure 77)



**HARNESS  
DIESEL  
2.6L**

<u>REF</u>	<u>PART NO.</u>	<u>NAME OF PART</u>	<u>QTY</u>	<u>REF</u>	<u>PART NO.</u>	<u>NAME OF PART</u>	<u>QTY</u>
	1396259	Engine Harness .....	1	16	181048	Connector .....	1
1	1331233	Fitting .....	4	17	1330298	Connector .....	1
2	1386831	Connector .....	1	18	1334999	Pin .....	1
3	181046	Connector .....	2	19	1329147	Seal .....	3
4	370730	Fitting .....	3	20	314775	Fitting .....	2
5	1454860	Connector .....	1	21	1308259	Connector .....	1
6	1454862	Cover .....	1	22	1454663	Connector .....	1
7	1454828	Terminal .....	2	23	1378671	Terminal .....	4
8	1454829	Fuse (60 Amp) .....	1	24	1375797	Fitting .....	4
9	1454827	Seal .....	2	25	1323579	Seal .....	5
10	1330438	Socket .....	8	26	1375795	Plug .....	1
11	1330439	Plug .....	1	27	1323577	Connector .....	1
12	1330423	Connector .....	1	28	1336173	Terminal .....	3
13	1330429	Lock .....	1	29	1330420	Connector .....	1
14	134812	Fitting .....	1	30	1330426	Lock .....	1
15	141462	Fitting .....	1	31	1301783	Fitting .....	1

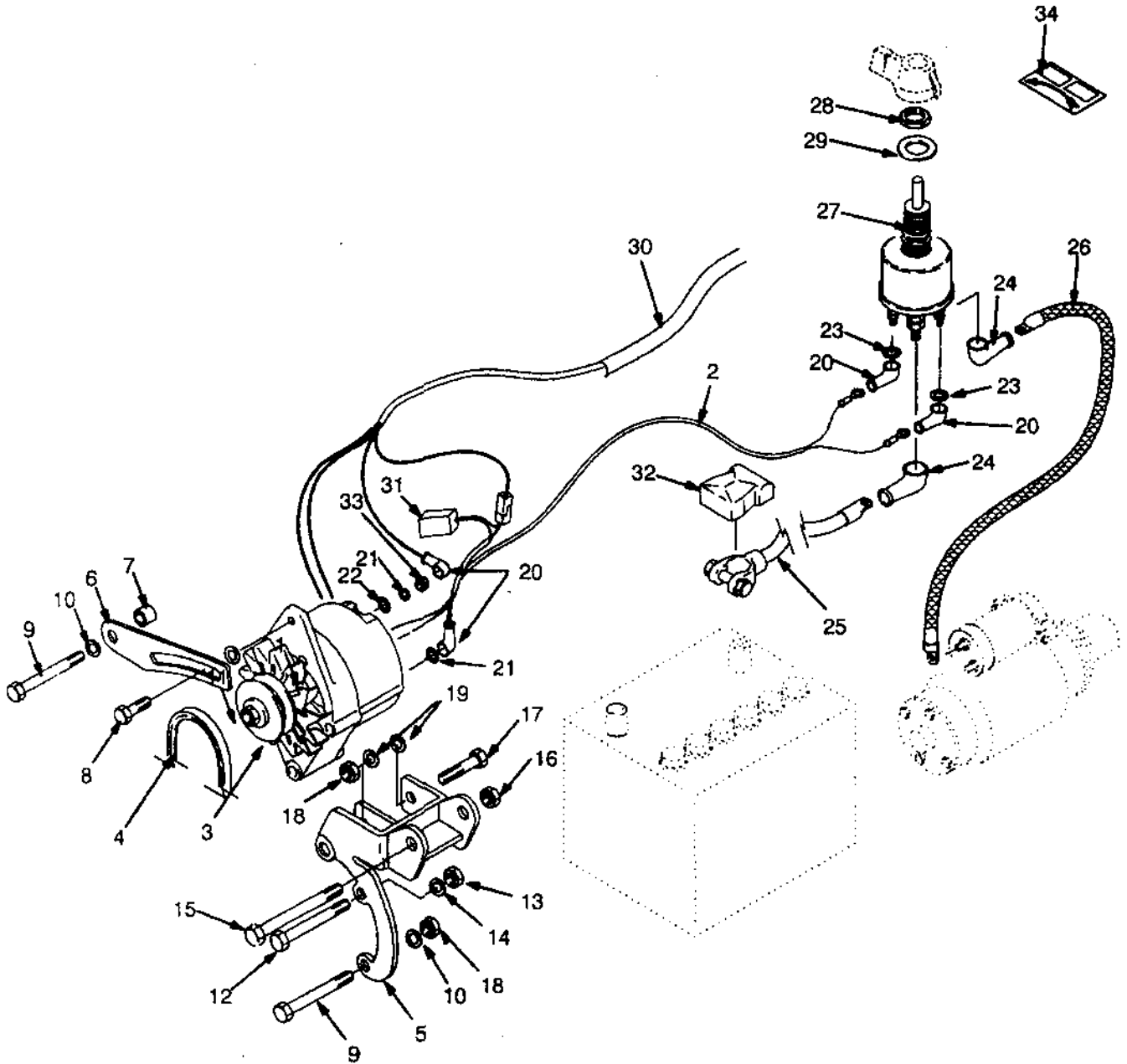
## ELECTRICAL TYPE GS AND LPS 2.0L ENGINE (Figure 78)



**ELECTRICAL  
 TYPE GS AND LPS  
 2.0L ENGINE**

REF	PART NO.	NAME OF PART	QTY	REF	PART NO.	NAME OF PART	QTY
1 <sup>a</sup>	190380	Boot .....	1	13	2034902	Harness-Alternator .....	1
2	18500	Washer .....	5	14	1368061	Battery Cable .....	1
3	190383	Boot .....	7	15	86376	Battery Cable .....	1
4	204223	Boot .....	4	16	1385862	Engine Harness .....	1
5	1324517	Disconnect Switch .....	1			☞ Figure 73	
6	1352191	Nut .....	1	17	287503	Hex Head Bolt .....	3
7	15136	Washer .....	1	18	18518	Hex Head Bolt .....	1
8	1394002	Alternator .....	1	19	145639	Nut .....	1
		Figure 84		20	18497	Hex Head Bolt .....	1
9	1352189	Alternator Bracket .....	1	21	18515	Washer .....	AR
10	1452145	Pulley .....	1	22	1360146	Clamp .....	2
11	15155	Washer .....	1	23	275496	Conduit (1.3 M) .....	1
12	292682	Washer .....	3			<sup>a</sup> Monotrol Pedal	

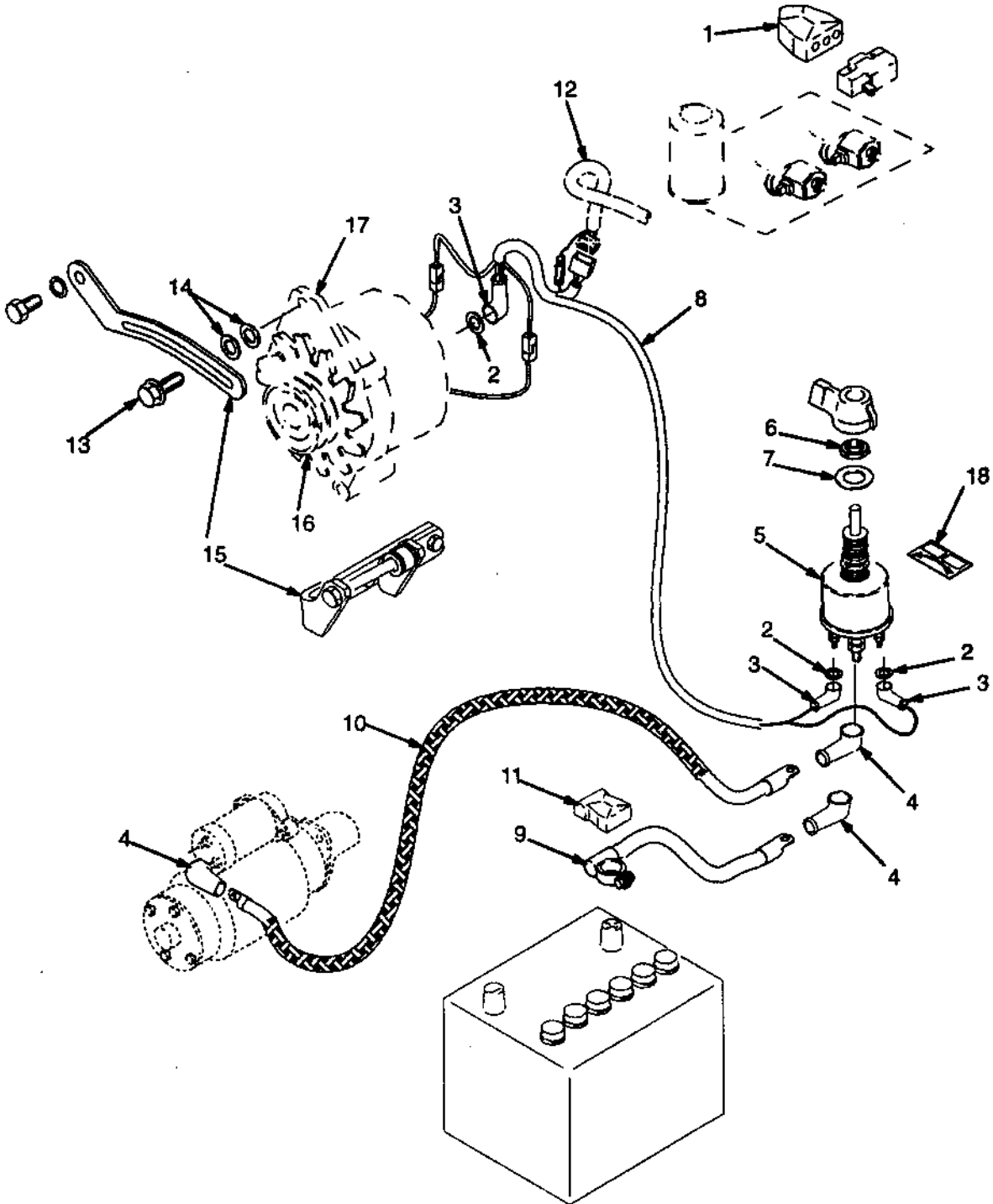
## ELECTRICAL TYPE DSL 2.6L (Figure 79)



**ELECTRICAL  
 TYPE DSL 2.6L**

REF	PART NO.	NAME OF PART	QTY	REF	PART NO.	NAME OF PART	QTY
1	1394003	Alternator .....	1	18	316826	Nut .....	2
		☞ Figure 84		19	320159	Washer .....	AR
2	1396220	Harness (Alternator) .....	1	20	190383	Boot .....	4
3	353291	Pulley .....	1	21	292680	Washer .....	2
4	108102	Fan Belt .....	1	22	320156	Washer .....	1
5	1386825	Alternator Bracket .....	1	23	18500	Washer .....	3
6	1396219	Alternator Strap .....	1	24	204223	Boot .....	2
7	1386830	Spacer .....	1	25	136801	Battery Cable .....	1
8	170554	Hex Head Bolt .....	1	26	246855	Battery Cable .....	1
9	292524	Hex Head Bolt .....	2	27	1324517	Disconnect Switch .....	1
10	292682	Washer .....	2	28	1352191	Nut .....	1
11	18515	Washer .....	AR	29	15136	Washer .....	1
12	136750	Hex Head Bolt .....	1	30	1396259	Engine Harness .....	1
13	239503	Nut .....	1			☞ Figure 77	
14	292681	Washer .....	1	31	1361305	Diode Assy .....	1
15	16741	Hex Head Bolt .....	1	32	257241	Boot .....	1
16	145641	Nut .....	1	33	320158	Nut .....	1
17	292522	Hex Head Bolt .....	1	34	1352190	Label (Battery Disconnect) .....	1

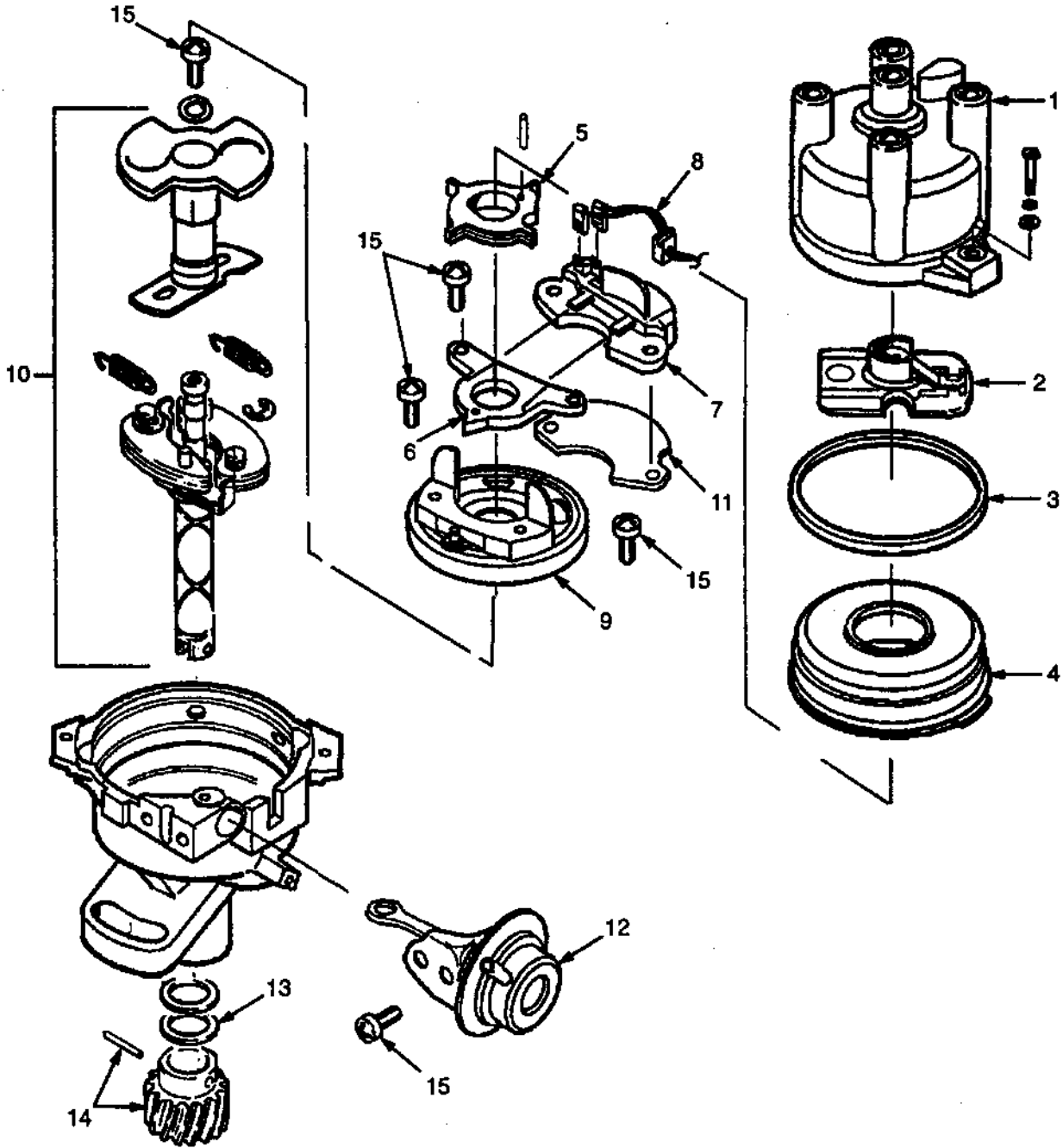
## ELECTRICAL TYPE GS AND LPS 3.0L ENGINE (Figure 80)



## ELECTRICAL TYPE GS AND LPS 3.0L ENGINE

REF	PART NO.	NAME OF PART	QTY	REF	PART NO.	NAME OF PART	QTY
1	190380	Boot .....	1	11	257241	Boot .....	1
2	18500	Washer .....	3	12	....	Engine Harness .....	1
3	190383	Boot .....	3			☞ Figure 74, Figure 75, Figure 76	
4	204223	Boot .....	3	13	170554	Screw .....	1
5	1324517	Disconnect Switch .....	1	14	18515	Washer .....	2
6	1352191	Nut .....	1	15	....	Alternator Mount .....	1
7	15136	Washer .....	1	16	1452143	Pulley .....	1
8	1377867	Harness-Alternator .....	1	17	....	Alternator .....	1
9 1	368061	Battery Cable .....	1			☞ Figure 84	
10	1376654	Battery Cable .....	1	18	1352190	Label (Battery Disconnect) .....	1

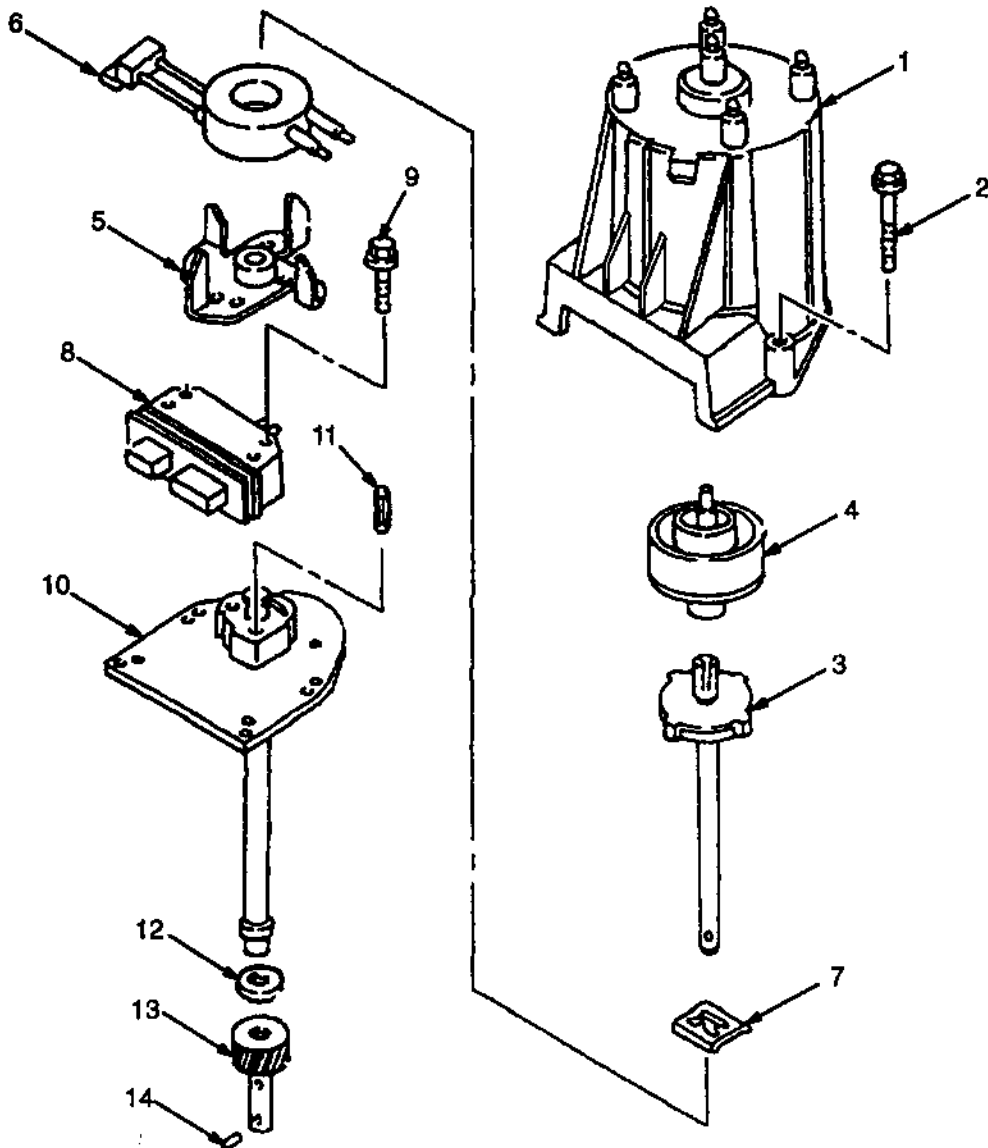
## DISTRIBUTOR PETROL AND LPG 2.0L ENGINE (Figure 81)



**DISTRIBUTOR  
PETROL AND LPG  
2.0L ENGINE**

<u>REF</u>	<u>PART NO.</u>	<u>NAME OF PART</u>	<u>QTY</u>	<u>REF</u>	<u>PART NO.</u>	<u>NAME OF PART</u>	<u>QTY</u>
	1453562	Distributor .....	1	8	1362037	Wire Assy .....	1
1	1326394	Cap .....	1	9	1326537	Breaker .....	1
2	1326395	Rotor .....	1	10	1362036	Kit-Governor .....	1
3	1326396	Packing .....	1	11	1326538	Heatsink .....	1
4	1326397	Cover .....	1	12	1362038	Vacuum Set .....	1
5	1326398	Signal Rotor .....	1	13	1362039	Oil Seal .....	1
6	1326399	Support Plate .....	1	14	1362042	Coupling .....	1
7	1326536	Igniter .....	s1	15	1362040	Kit-Screw .....	1

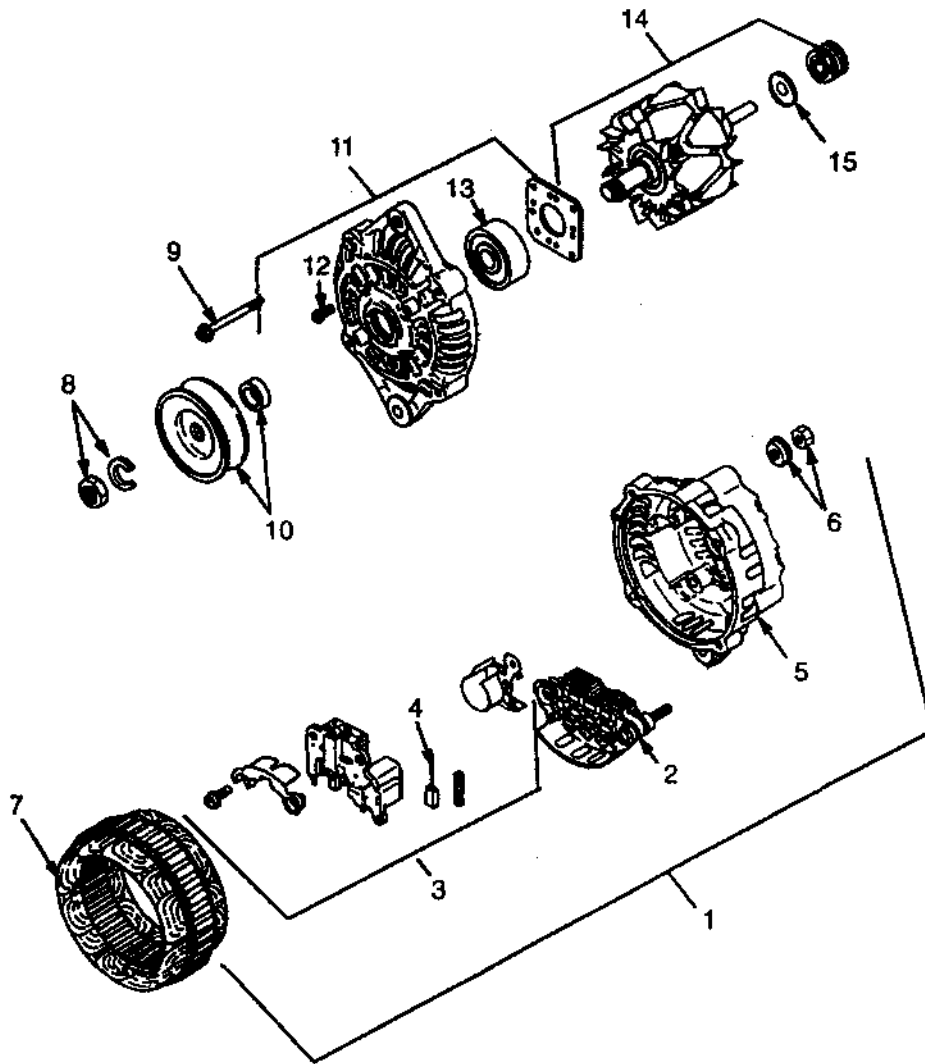
## DISTRIBUTOR PETROL AND LPG 3.0L ENGINE (Figure 82)



**DISTRIBUTOR  
PETROL AND LPG  
3.0L ENGINE**

<u>REF</u>	<u>PART NO.</u>	<u>NAME OF PART</u>	<u>QTY</u>	<u>REF</u>	<u>PART NO.</u>	<u>NAME OF PART</u>	<u>QTY</u>
	1331330	Distributor .....	1	9	1334408	Screw .....	2
1 <sup>a</sup>	1334400	Cap .....	1	10	1334409	Housing .....	1
2	1334401	Screw .....	2	11	1334410	Pin .....	1
3	1334402	Shaft .....	1	12	1334411	Seal .....	1
4 <sup>a</sup>	1334403	Rotor .....	1	13	1334412	Gear .....	1
5	1334404	Pole Piece .....	1	14	1334413	Pin .....	1
6	1334405	Coil .....	1			<sup>a</sup> Included In Tune-Up Kit 996336	
7	1334406	Retainer .....	1				
8	1334407	Module .....	1				

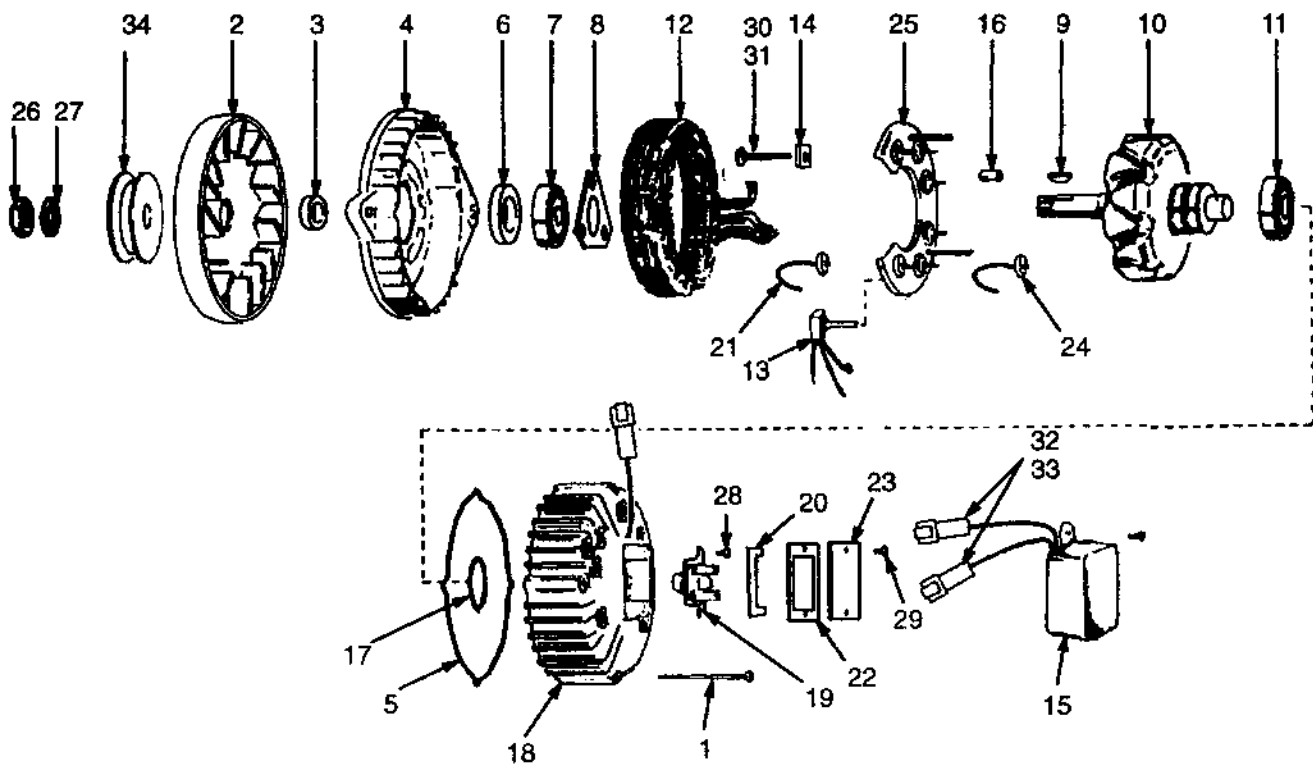
## ALTERNATOR PETROL AND LPG 2.0L ENGINE (Figure 83)



**ALTERNATOR  
PETROL AND LPG  
2.0L ENGINE**

<u>REF</u>	<u>PART NO.</u>	<u>NAME OF PART</u>	<u>QTY</u>	<u>REF</u>	<u>PART NO.</u>	<u>NAME OF PART</u>	<u>QTY</u>
	1450928	Alternator .....	1	8	1361863	Nut .....	1
1	1450929	Rear Cover .....	1	9	1361864	Screw .....	1
2	1450930	Rectifier .....	1	10	1361861	Pulley .....	1
3	1450931	Regulator .....	1	11	1361850	Front Cover .....	1
4	1361859	Brush .....	2	12	1361860	Screw .....	1
5	1361852	Cover .....	2	13	1361857	Bearing .....	1
6	1361862	Nut .....	1	14	1361865	Rotor .....	1
7	1361854	Stator .....	1	15	1361855	Bearing .....	1

## ALTERNATOR TYPE GS, LPS, AND DS (Figure 84)

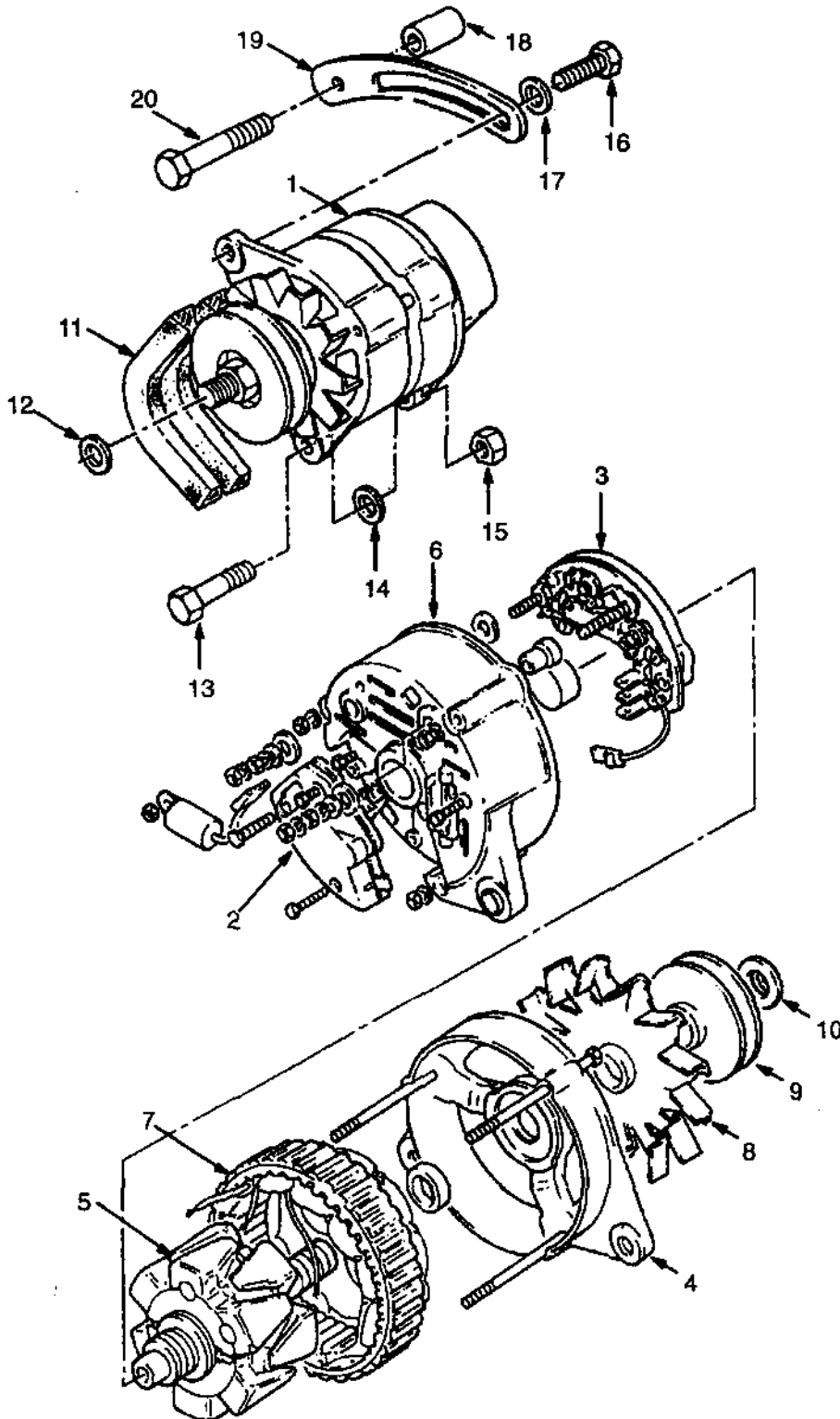


**ALTERNATOR  
 TYPE  
 GS, LPS, AND DS**

REF	PART NO.	NAME OF PART	QTY	REF	PART NO.	NAME OF PART	QTY
	1394002	Alternator .....	1	17	1371211	Retainer .....	1
	1394003	Alternator .....	1	18	295802	Housing (Rear) .....	1
1	1453364	Bolt .....	4	19	2022534	Brush Assy .....	1
2	225673	Fan .....	1	20	2022535	Insulation .....	1
3	1453352	Spacer .....	1	21	226584	Diode .....	1
4	1453351	Front Housing .....	1	22	1453387	Joint.....	1
5	226582	Joint.....	1	23	2022538	Brush (Cover) .....	1
6	1453358	Seal .....	1	24	226583	Diode .....	1
7	248128	Bearing (Front) .....	1	25	226578	Heatsink .....	1
8	226576	Retainer .....	1	26	1453375	Nut .....	1
9	1453354	Woodruff Key .....	1	27	1453385	Lockwasher .....	1
10	1371208	Rotor .....	1	28	1453377	Screw .....	2
11	386071	Bearing (Rear) .....	1	29	1453379	Screw .....	2
12	1371209	Stator .....	1	30	1453362	Bolt (1,38 in.) .....	1
13	2022532	Diode .....	1	31	1453363	Bolt (1,75 in.) .....	1
14	1371214	Insulation .....	1	32	181045	Connector .....	1
15	1453386	Voltage Regulator .....	1	33	181046	Connector .....	1
16	1371212	Sleeve .....	1	34	....	Pulley .....	1

☛ Figure 78, Figure 80

## ALTERNATOR DIESEL 2.6L (Figure 85)

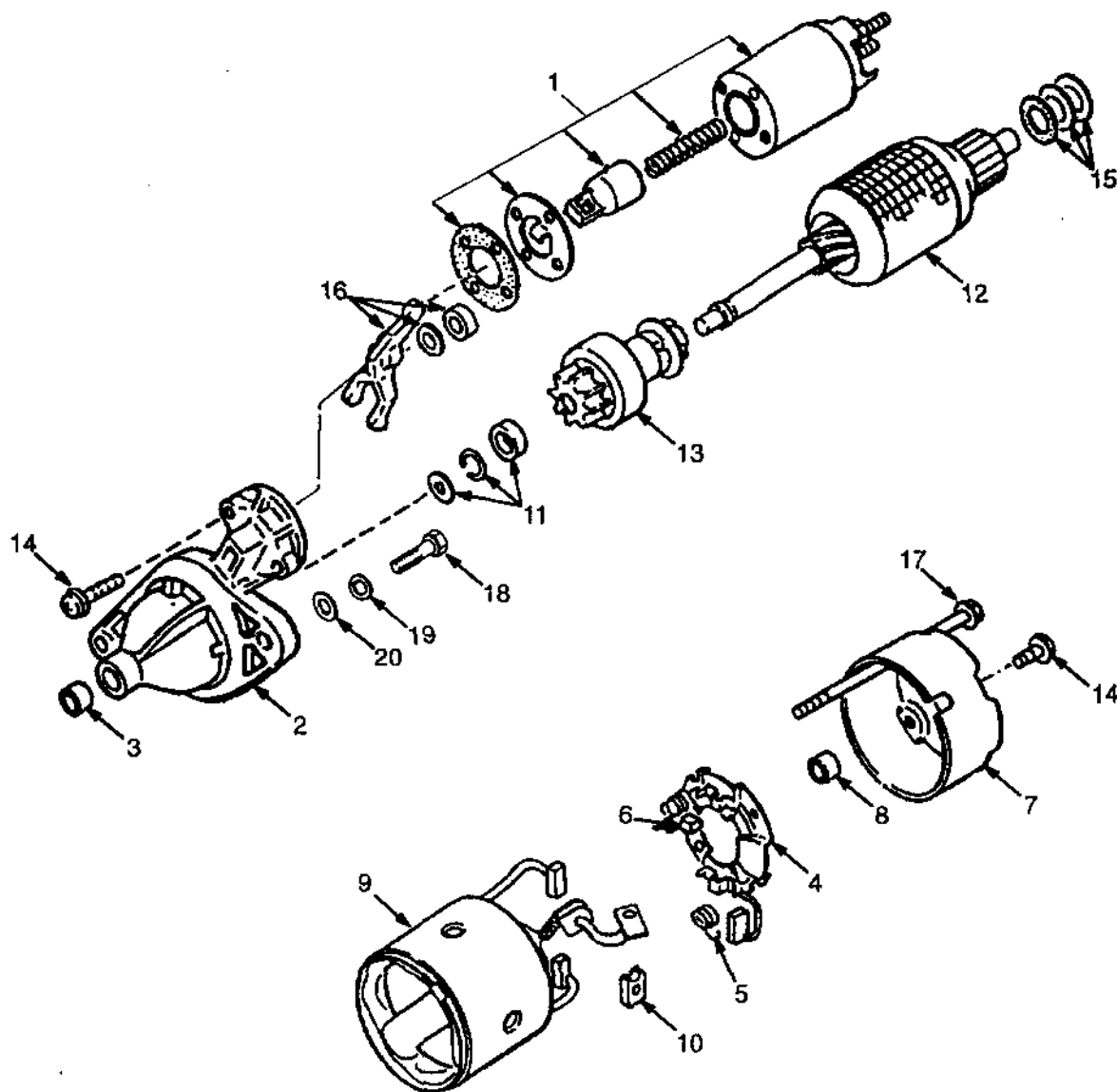


**ALTERNATOR  
DIESEL  
2.6L**

<u>REF</u>	<u>PART NO.</u>	<u>NAME OF PART</u>	<u>QTY</u>	<u>REF</u>	<u>PART NO.</u>	<u>NAME OF PART</u>	<u>QTY</u>
1	1457874	Alternator .....	1	11	1457875	Fan Belt .....	1
2	1457880	Regulator .....	1	12	1457876	Spacer .....	1
3	1457881	Rectifier .....	1	13	1457877	Screw .....	1
4	1457882	Bracket Assembly .....	1	14	1318306	Washer .....	1
5	1457883	Rotor .....	1	15	1307891	Nut .....	1
6	1457884	Bracket Assembly .....	1	16	1306358	Screw .....	1
7	1457885	Stator .....	1	17	983255	Washer .....	1
8	1457886	Fan .....	1	18	1457879	Spacer .....	1
9	1457887	Pulley .....	1	19	1451743	Lever .....	1
10	1457888	Spacer .....	1	20	1457878	Screw .....	1

## STARTER MOTOR PETROL AND LPG 2.0L ENGINE

(Figure 86)

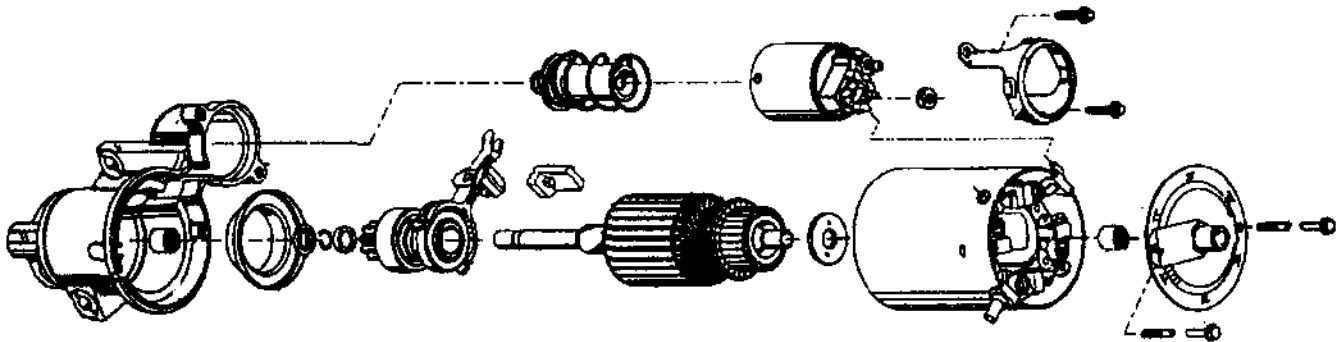
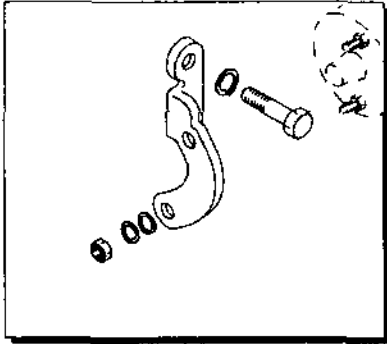


**STARTER MOTOR  
PETROL AND LPG  
2.0L ENGINE**

<u>REF.</u>	<u>PART NO.</u>	<u>NAME OF PART</u>	<u>QTY</u>	<u>REF.</u>	<u>PART NO.</u>	<u>NAME OF PART</u>	<u>QTY</u>
	1362069	Starter Motor .....	1	11	1368850	Kit .....	1
1	1368862	Switch .....	1	12	1368851	Armature .....	1
2	1368849	Bracket .....	1	13	1368852	Clutch .....	1
3	1368858	Sleeve .....	1	14	1368853	Kit-Screw .....	1
4	1368860	Brush Holder .....	1	15	1368854	Kit-Washer .....	1
5	326889	Brush Spring .....	3	16	1368855	Lever .....	1
6	1368861	Brush .....	1	17	1368856	Bolt .....	2
7	1368857	Bracket .....	1	18	1356103	Hex Head Bolt .....	2
8	1368859	Sleeve .....	1	19	292682	Lockwasher .....	2
9	1368848	Yoke .....	1	20	320159	Washer .....	2
10	1368863	Brush .....	2				

## STARTER MOTOR PETROL AND LPG 3.0L ENGINE

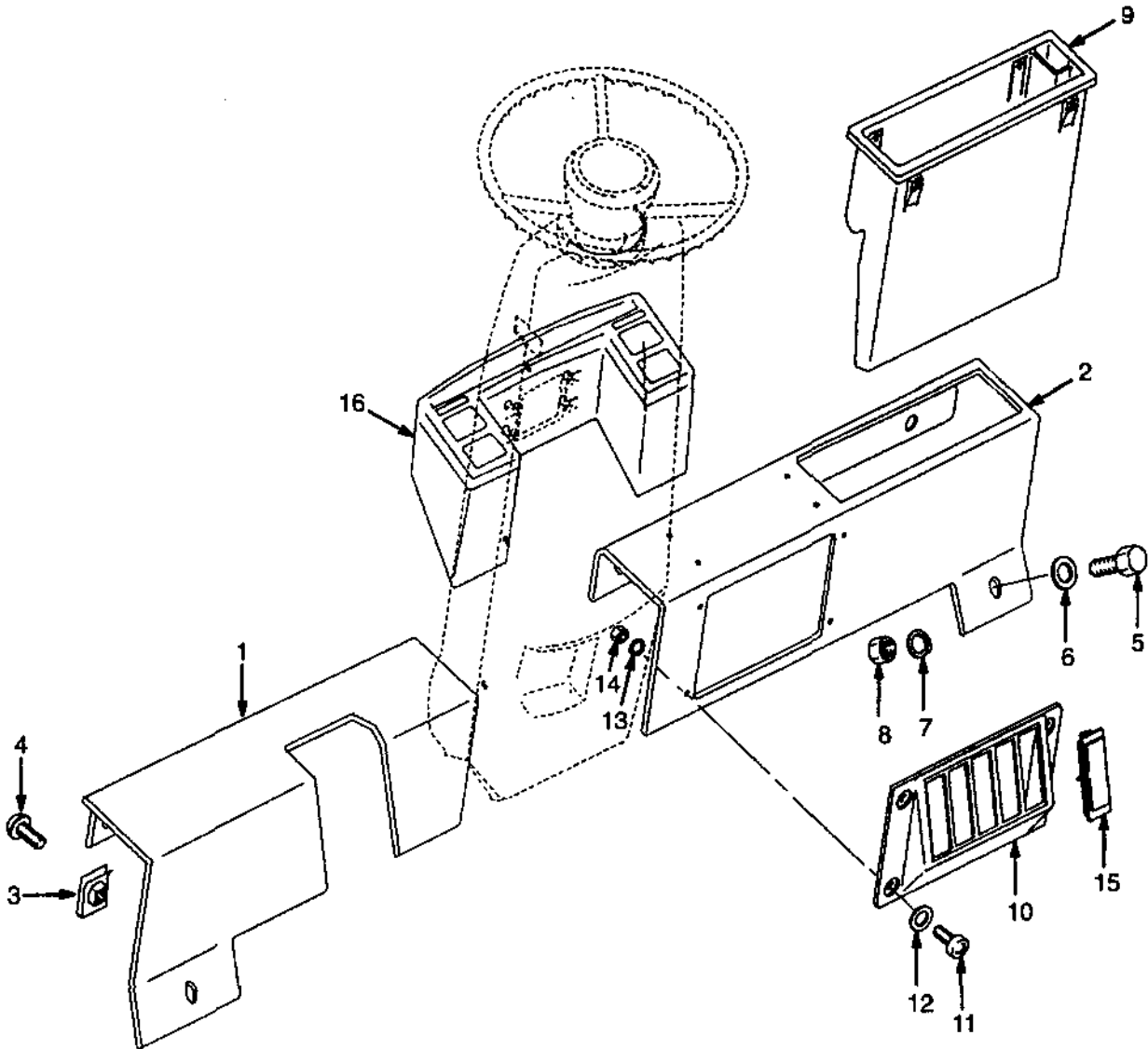
(Figure 87)



**STARTER MOTOR  
PETROL AND LPG  
3.0L ENGINE**

<u>REF</u>	<u>PART NO.</u>	<u>NAME OF PART</u>	<u>QTY</u>	<u>REF</u>	<u>PART NO.</u>	<u>NAME OF PART</u>	<u>QTY</u>
1457047		Starter Motor .....	1				

## INSTRUMENT PANEL (Figure 88)

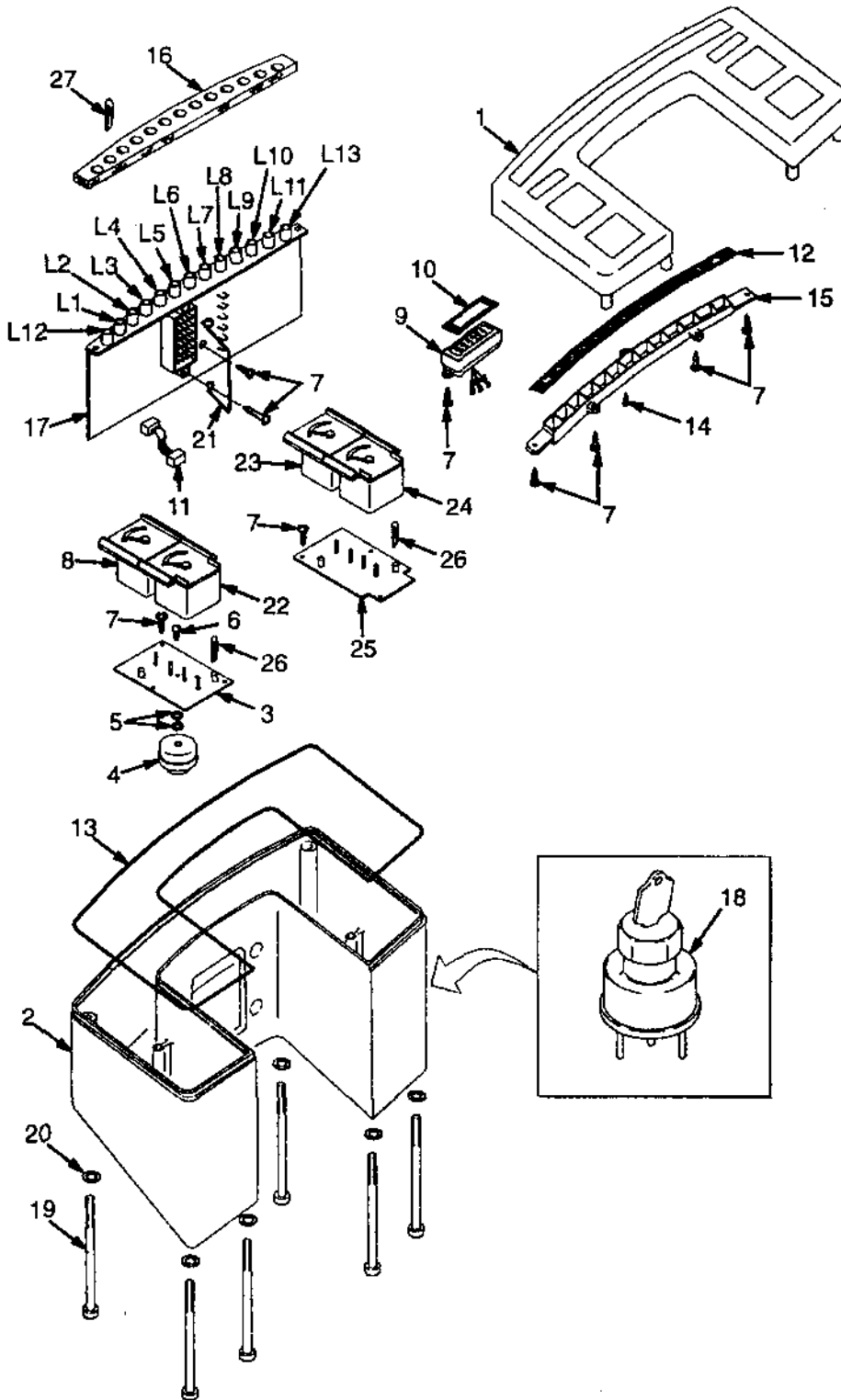


**INSTRUMENT PANEL**

<u>REF</u>	<u>PART NO.</u>	<u>NAME OF PART</u>	<u>QTY</u>	<u>REF</u>	<u>PART NO.</u>	<u>NAME OF PART</u>	<u>QTY</u>
1	1365876	Panel (LH) .....	1	10	1339637	Bezel .....	1
2	1365877	Panel(RH) .....	1	11	1337196	Screw .....	4
3	1350282	Retainer .....	4	12	320154	Washer .....	4
4	369242	Hex Head Bolt .....	4	13	292678	Lockwasher .....	4
5	136681	Hex Head Bolt .....	1	14	292667	Nut .....	4
6	320157	Washer .....	1	15	376949	Cover .....	5
7	292681	Lockwasher .....	1	16	....	Instrument Cluster .....	1
8	239503	Nut .....	1			☛ Figure 89	
9	1338286	Information Case .....	1				

## INSTRUMENT CLUSTER

(Figure 89)



**INSTRUMENT CLUSTER**

REF NO.	NAME OF PART	Includes Part No.	PartNo. 26 Qty	Part No. 27	
				Qty	Location
1335975	<sup>c</sup> Instrument Cluster-Petrol	1-22,26,27	2	7	L1-L6, L9
1335976	<sup>c</sup> Instrument Cluster-LPG	121,26,27	1	7	L1-L6, L10
1335977	<sup>c</sup> Instrument Cluster-Diesel	1-22,26,27	2	8	L1-L8
1335978	<sup>b</sup> Instrument Cluster-Petrol	1-27	4	10	L1-L6, L9, L11-L13
1335979	<sup>b</sup> Instrument Cluster-LPG	1-21,23-27	3	10	L1-L6, L10-L13
1335980	<sup>b</sup> Instrument Cluster-Diesel	1-27	4	11	L1-L8, L11-L13
1343612	<sup>c</sup> Instrument Cluster-Petrol	1-22, 26, 27	2	8	L1-L5, L9, L11-L13
1343613	<sup>c</sup> Instrument Cluster-LPG	1-21,26,27	1	8	L1-L5, L10, L11-L13
1343614	<sup>c</sup> Instrument Cluster-Diesel	1-22,26,27	2	9	L1-L5, L7-L8, L11- L13

<sup>b</sup> Optional Gauges

<sup>c</sup> Standard Gauges

**KEY:**

**A:** Optional Gauges

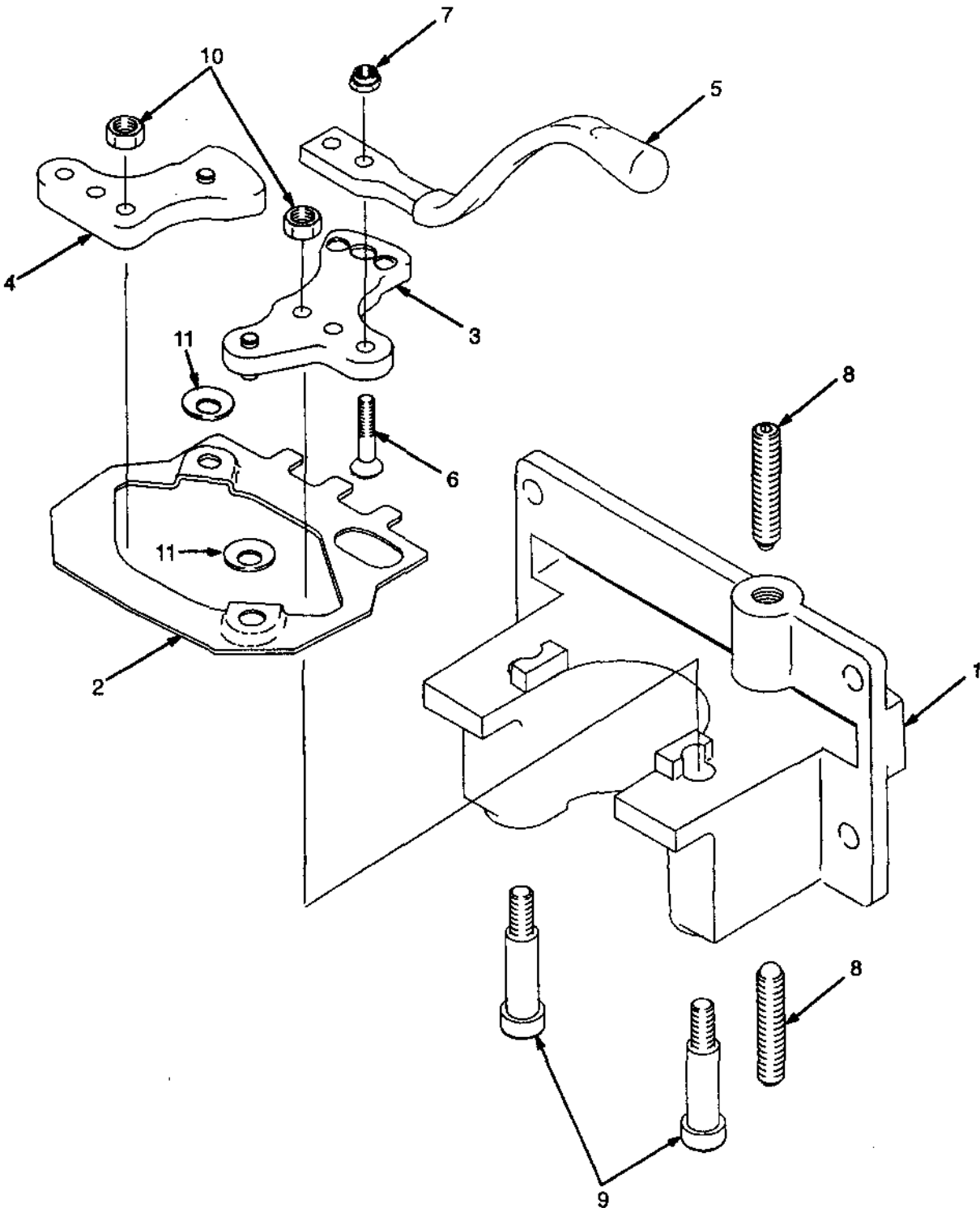
**B:** Standard Gauges

REF	PART NO.	NAME OF PART	QTY		REF	PART NO.	NAME OF PART	QTY	
			A	B				A	B
*	.....	Instrument Cluster .....	1	1	15	1354787	Housing .....	1	1
1	1354775	Cover(Top) .....	1	1	16	1354788	Joint .....	1	1
2	1354776	Housing .....	1	1	17	1354806	Circuit Board .....	1	1
3	1354049	Circuit Board (LH) .....	1	1	18	1337114	Ignition Switch .....	1	1
4	1354804	Buzzer .....	1	1	19	1453153	Kit-Screw .....	1	1
5	1354780	Fibre Washer .....	1	1	20	320154	Washer .....	8	8
6	189756	Screw .....	1	1	21	1358858	Clip .....	1	1
7	227131	Screw .....	17	14	22	1354777	Fuel Gauge .....	1	1
8	1354778	Water Temperature Gauge .....	1	1	23	1354792	Oil Pressure Gauge .....	1	1
9	1354783	Hourmeter .....	1	1	24	1354793	Voltmeter Gauge .....	1	1
10	1354782	Joint .....	1	1	25	1354807	Circuit Board (RH) .....	1	1
11	1354805	Wire Harness .....	1	1	26 <sup>a</sup>	1354796	Lamp .....	..	..
12	1354784	Warning Lamp Filter .....	1	1	27 <sup>a</sup>	1357367	Lamp .....	..	..
13	1354785	Joint .....	1	1					
14	1354786	Screw .....	1	1					

<sup>a</sup> \*Table

## SHIFT LEVER

(Figure 90)



**SHIFT LEVER**

<u>REF</u>	<u>PART NO.</u>	<u>NAME OF PART</u>	<u>QTY</u>	<u>REF</u>	<u>PART NO.</u>	<u>NAME OF PART</u>	<u>QTY</u>
	1347004	Shift Lever .....	1	6	296205	Hex Head Bolt .....	2
1	1343577	Base .....	1	7	302398	Nut .....	2
2	1343578	Link .....	1	8	1338291	Spring Plunger .....	2
3	1343579	Crank .....	1	9	1343594	Bolt .....	2
4	1343598	Crank .....	1	10	136687	Nut .....	2
5	1343593	Shift Lever .....	1	11	1354300	Spring Washer .....	4



**LIGHTS**

<u>REF</u>	<u>PART NO.</u>	<u>NAME OF PART</u>	<u>QTY</u>	<u>REF</u>	<u>PART NO.</u>	<u>NAME OF PART</u>	<u>QTY</u>
1	1450293	Bracket .....	2	7	1380757	Lens (Amber) .....	1
1 <sup>a</sup>	878152	Bracket .....	2	7	1376439	Lens (Clear) .....	1
2	1450356	Plug .....	2	7	1376440	Lens (Red) .....	1
3	1375173	Shield .....	2	8	1302258	Bulb .....	2
4	316678	Screw .....	4	9	177521	Bulb (12 V) .....	1
5	1367639	Bush .....	3		<sup>a</sup>	With Steel Cab Kit 895973	
6	1376749	Light Assy .....	2				