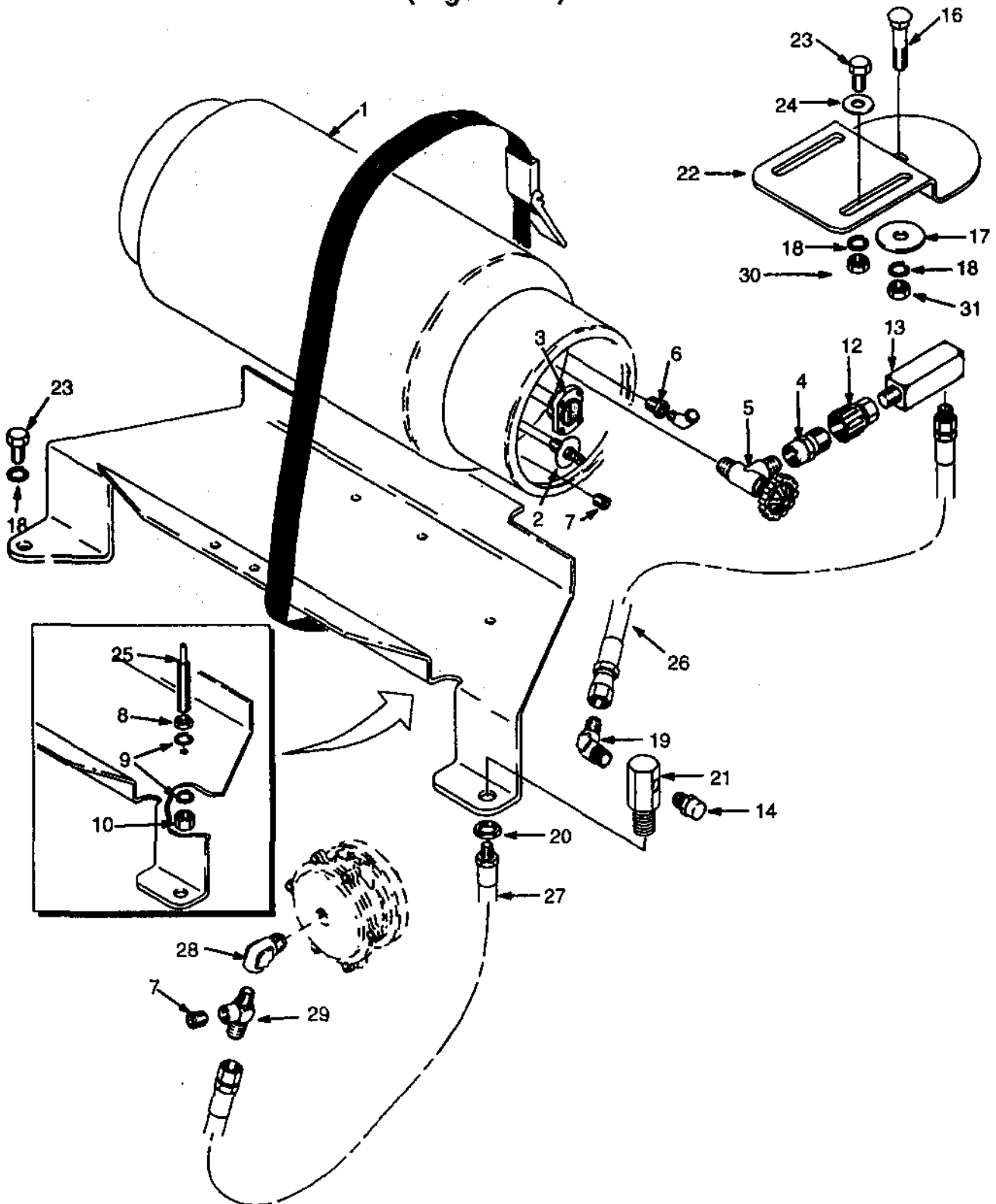


LPG TANK

(Figure 43)



LPG TANK

| REF | PART NO. | NAME OF PART | QTY | REF | PART NO. | NAME OF PART | QTY |
|-----|----------|---------------------|-----|-----|----------|------------------|-----|
| 1 | 1328890 | LPG Tank | 1 | 17 | 300939 | Spacer | 1 |
| 2 | 1337641 | Sight Gauge | 1 | 18 | 292682 | Lockwasher | 5 |
| 3 | 1337642 | Float Gauge | 1 | 19 | 16863 | Fitting | 1 |
| 4 | 1337643 | Valve | 1 | 20 | 15034 | Nut | 1 |
| 5 | 1337644 | Service Valve | 1 | 21 | 1374801 | Fitting | 1 |
| 6 | 1337645 | Fill Valve | 1 | 22 | 1375239 | Bracket | 1 |
| 7 | 15483 | Fitting | 2 | 23 | 287854 | Bolt | 4 |
| 8 | 296134 | Nut | 1 | 24 | 320159 | Washer | 3 |
| 9 | 292685 | Lockwasher | 2 | 25 | 1376000 | Pin | 1 |
| 10 | 292600 | Nut | 1 | 26 | 1319004 | Hose | 1 |
| 11 | 1379455 | Strap | 1 | 27 | 1388579 | Hose | 1 |
| 12 | 97999 | Disconnect | 1 | 28 | 1351145 | Fitting | 1 |
| 13 | 1327554 | Fitting | 1 | 29 | 1351146 | Fitting | 1 |
| 14 | 101809 | Relief Valve | 1 | 30 | 316826 | Nut | 2 |
| 15 | 1376006 | Bracket | 1 | 31 | 136692 | Nut | 2 |
| 16 | 1339706 | Bolt | 1 | | | | |

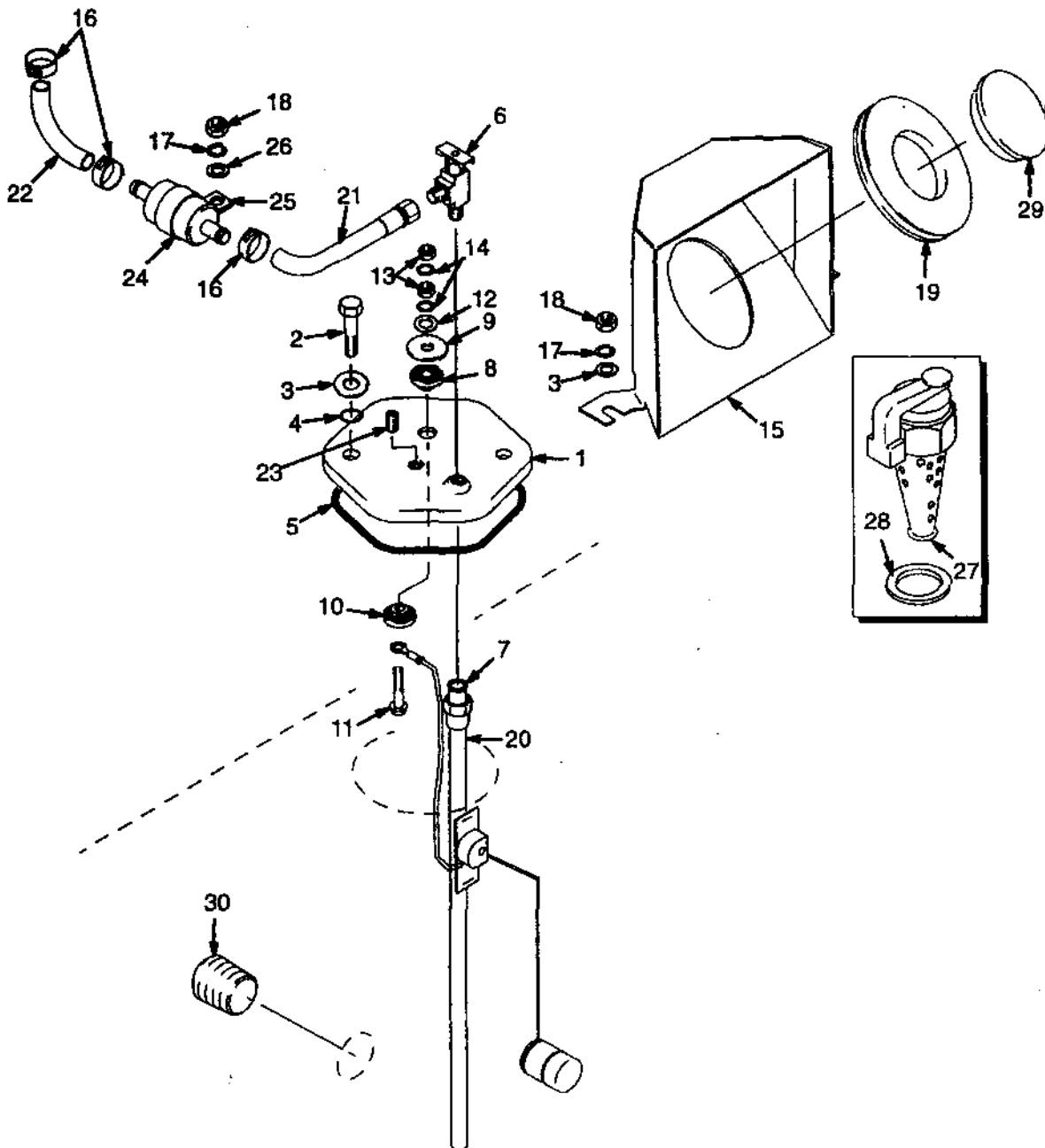
**FUEL
 LPG
 2,0L ENGINE**

| REF | PART NO. | NAME OF PART | QTY | REF | PART NO. | NAME OF PART | QTY |
|-----|----------|---------------------------------|-----|------|----------|---------------------|-----|
| 1 | 16863 | Fitting | 1 | 18 | 372002 | Hose | 2 |
| 2 | 1451568 | Plate | 1 | 19 | 1346872 | Actuator | 1 |
| 2 | 280472 | Sealant | AR | 20 | 1350400 | Valve | 1 |
| 3 | 1336135 | Fitting | 1 | 21 | 293743 | Hex Head Bolt | 2 |
| 4 | 1356514 | Spacer | 1 | 22 | 316825 | Nut | 2 |
| 5 | 329067 | Screw | 2 | 23 | 201800 | Fitting | 1 |
| 6 | 1347166 | Hose | 1 | 24 | 1359460 | Stud | 2 |
| 7 | 14358 | Fitting | 1 | 25 | 1354336 | Joint | 1 |
| 8 | 130845 | Clamp | 4 | 26 | 113011 | Hose | 1 |
| 9 | 168718 | Clamp | 2 | 27 | 1336137 | Hose | 1 |
| 10 | 366473 | Clamp | 8 | 28 | 318375 | Hose | 1 |
| 11 | 137852 | Strap Clamp | 6 | 29 | 85785 | Hose | 1 |
| 12 | 1352123 | Fuel Cap | 1 | 30 | 201797 | Fitting | 1 |
| 13 | | Filter And Lock-Off Valve | 1 | | | Carburettor | 1 |
| | | ☛ Figure 58 | | | | ☛ Figure 53 | |
| 14 | | LPG Converter | 1 | 32 | 175347 | Fitting | 1 |
| | | ☛ Figure 59 | | 33 | 239503 | Nut | 7 |
| 15 | 175347 | Fitting | 2 | 34 | 292681 | Lockwasher | 7 |
| 16 | 15351 | Fitting | 1 | 35 | 296418 | Washer | 5 |
| 17 | 1354203 | Solenoid Valve | 1 | 36 | 1356513 | Bracket | 1 |
| 17 | 1369456 | Coil | 1 | 37 | 243147 | Hose | 1 |
| 17 | 1369457 | Seal Kit | 1 | 38 | 201808 | Fitting | 1 |

**FUEL
LPG
3.0L ENGINE**

| REF | PART NO. | NAME OF PART | QTY | REF | PART NO. | NAME OF PART | QTY |
|----------------|----------|---------------------------------|-----|-----------------|----------|--------------------------|-----|
| 1 | 1354117 | Hose | 1 | 33 ^c | 1451568 | Plate | 1 |
| 2 | 369815 | Clamp | 4 | 34 | 329067 | Screw | 2 |
| 3 | 1334847 | Filter | 3 | 35 | 353000 | O-Ring | 2 |
| 4 | 1334845 | Clamp | 1 | 36 | 1375711 | Hose | 1 |
| 5 | 1360841 | Hose | 1 | 37 | 1369572 | LPG Converter Assy | 1 |
| 6 | 1333840 | Clamp | 2 | | | ☞ Figure 59 | |
| 6 ^a | 1333840 | Clamp | 1 | 38 | 201797 | Fitting | 1 |
| 7 | 1350400 | Check Valve | 1 | 39 | 1376568 | Hose | 1 |
| 8 | 366473 | Clamp | 7 | 40 | 125305 | Fitting | 1 |
| 9 | 377209 | Hose | 1 | 41 | 130845 | Clamp | 1 |
| 10 | 1346872 | Actuator | 1 | 42 | 17217 | Fitting | 1 |
| 11 | 293743 | Hex Head Bolt | 2 | 43 ^a | 369815 | Clamp | 4 |
| 12 | 316825 | Nut | 2 | 44 ^a | 1376571 | Hose | 1 |
| 13 | 1389497 | Bracket | 1 | 45 | 329073 | Hose | 1 |
| 14 | 195771 | Joint | 1 | 46 | 353198 | Clamp | 2 |
| 15 | 340405 | Governor | 1 | 47 | 1358515 | Fitting | 1 |
| 15 | 181763 | Joint | 2 | 48 ^a | 2034520 | Fitting | 1 |
| 16 | 14349 | Fitting | 2 | 49 ^a | 1356454 | Hose | 1 |
| 16 | 246108 | Sealant | AR | 50 | 175323 | Stud | 2 |
| 17 | 137852 | Strap Clamp | 2 | 51 | 349366 | Fitting | 1 |
| 18 | 130845 | Clamp | 3 | 52 | 1354203 | Solenoid Valve | 1 |
| 19 | 1376666 | Hose | 1 | 52 | 1369456 | Coil | 1 |
| 20 | 137852 | Strap Clamp | 6 | 52 | 1369457 | Seal Kit | 1 |
| 21 | 113011 | Hose | 1 | 53 | 15351 | Fitting | 1 |
| 22 | 16863 | Fitting | 1 | 54 | 12824 | Fitting | 1 |
| 23 | 258321 | Filter And Lock-Off Valve | 1 | 55 | 1389498 | Carburettor | 1 |
| | | ☞ Figure 58 | | | | ☞ Figure 54 | |
| 24 | 175347 | Fitting | 1 | 56 | 15920 | Washer | 2 |
| 25 | 13757 | 13 Hose | 1 | 57 | 15006 | Nut | 2 |
| 26 | 14358 | Fitting | 1 | 58 | 197067 | Washer | 1 |
| 27 | 193008 | Hose | 1 | 59 ^a | 1376655 | Bracket | 1 |
| 28 | 168718 | Clamp | 2 | 59 | 1356513 | Bracket | 1 |
| 29 | 17215 | Fitting | 1 | 60 ³ | 13828 | Nut | 3 |
| 30 | 63108 | Fitting | 2 | 61 | 320158 | Washer | 3 |
| 31 | 1352123 | Fuel Cap | 1 | 62 ^a | 1375848 | Spacer | 3 |
| 32 | 280472 | Sealant | AR | | | ^a With MST5 | |

FUEL PETROL 2,0L ENGINE (Figure 46)

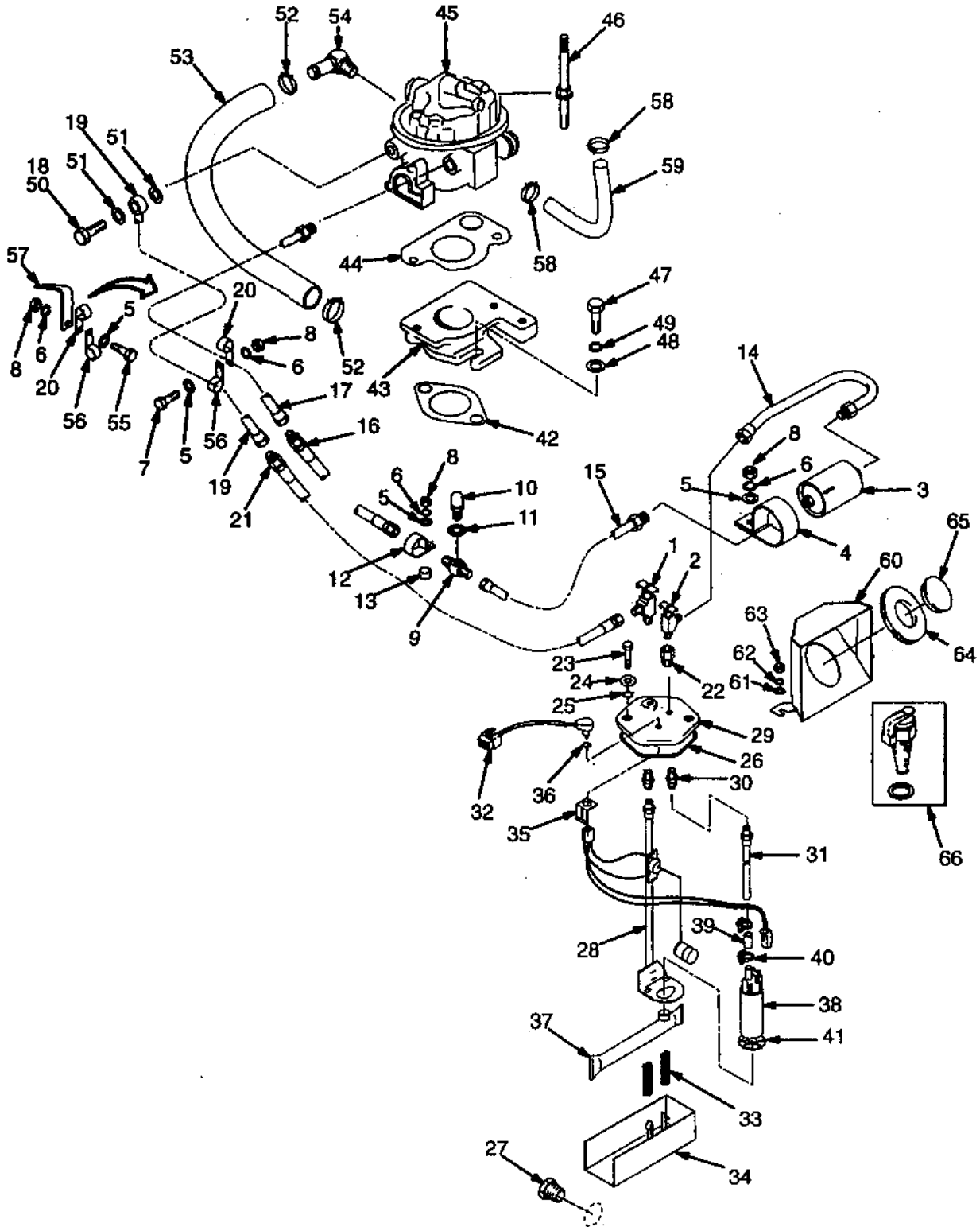


**FUEL
PETROL
2,0L ENGINE**

| REF | PART NO. | NAME OF PART | QTY | REF | PART NO. | NAME OF PART | QTY |
|-----|----------|------------------|-----|-----------------|----------|-------------------------|-----|
| 1 | 1343448 | Cover | 1 | 17 | 292681 | Lockwasher | 3 |
| 2 | 329067 | Screw | 2 | 18 | 313828 | Nut | 3 |
| 3 | 320158 | Washer | 4 | 19 | 1339720 | Grommet | 1 |
| 4 | 353000 | O-Ring | 2 | 20 | 1347153 | Fuel Gauge Sender | 1 |
| 5 | 1343449 | Seal | 1 | 21 | 1351089 | Hose | 1 |
| 6 | 1350286 | Valve | 1 | 22 | 1389365 | Hose | 1 |
| 7 | 14303 | Fitting | 1 | 23 | 15483 | Fitting | 1 |
| 8 | 1350291 | Washer | 1 | 24 | 1304950 | Filter | 1 |
| 9 | 1350290 | Washer | 1 | 25 | 1316496 | Clamp | 1 |
| 10 | 1351000 | Washer | 1 | 26 | 320158 | Washer | 1 |
| 11 | 1356459 | Screw | 1 | 27 ^a | 63899 | Safety Cap | 1 |
| 12 | 197067 | Washer | 1 | 28 ^a | 138880 | Shim | AR |
| 13 | 1350298 | Nut | 2 | 29 | 160773 | Fuel Cap | 1 |
| 14 | 1350299 | Lockwasher | 2 | 30 | 15964 | Fitting | 1 |
| 15 | 1376746 | Shield | 1 | | | ^a DS Safety | |
| 16 | 168718 | Clamp | 3 | | | | |

FUEL PETROL 3.0L ENGINE

(Figure 47)



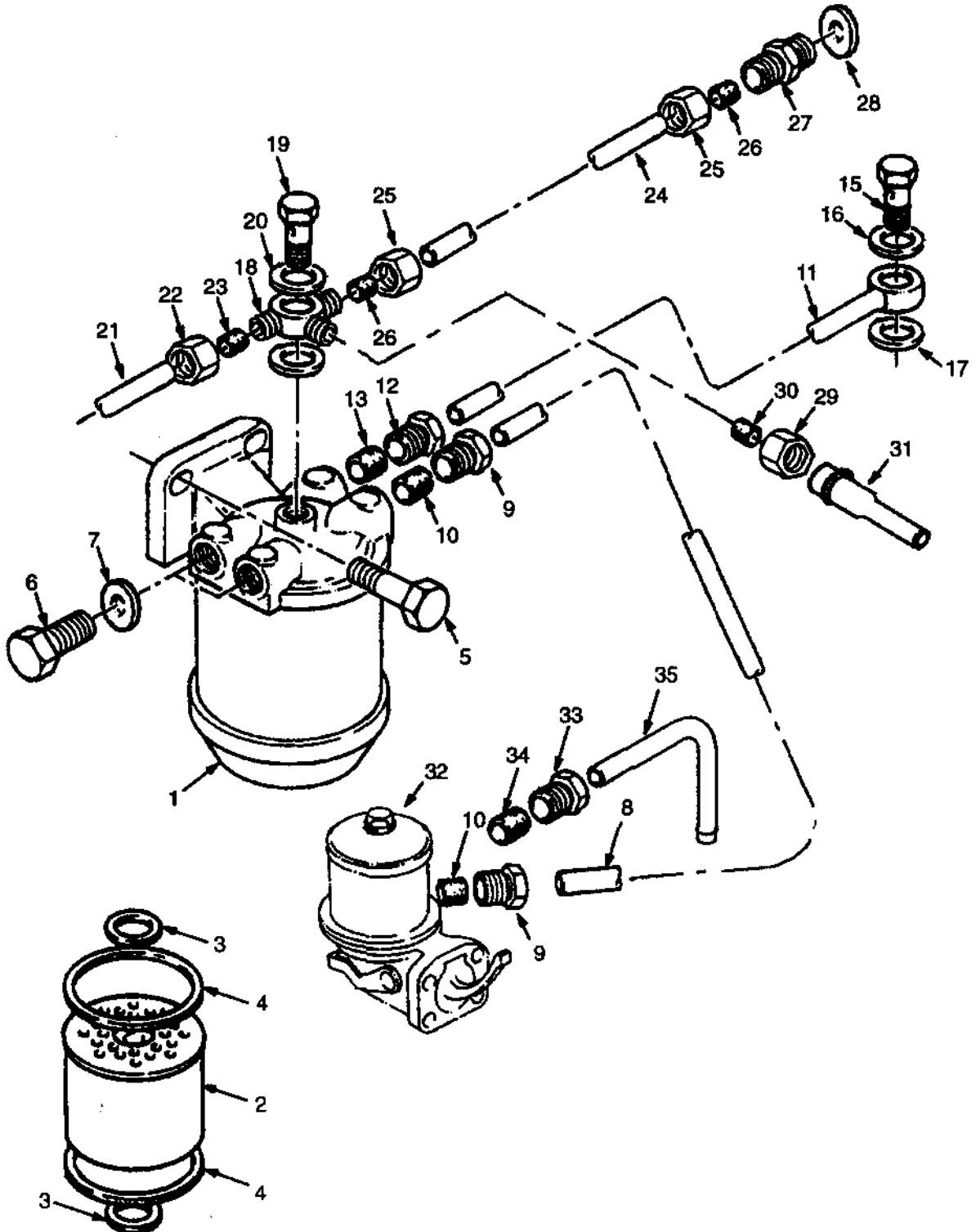
**FUEL
PETROL
3.0L ENGINE**

| REF | PART NO. | NAME OF PART | QTY | REF | PART NO. | NAME OF PART | QTY |
|-----------------|----------|----------------------|-----|--|----------|------------------------------------|-----|
| 11 | 350286 | Valve | 1 | 39 ^a | | Coupling | 1 |
| 2 | 16192 | Valve | 1 | 40 ^a | | Clamp | 2 |
| 3 | 1330342 | Filter | 1 | 41 ^a | | Isolator | 1 |
| 4 | 176451 | Clamp | 1 | 42 | 195771 | Joint | 1 |
| 5 | 320158 | Washer | 4 | 43 | 1375779 | Adapter | 1 |
| 6 | 292681 | Lockwasher | 4 | 44 | 1343648 | Joint | 1 |
| 7 | 136681 | Hex Head Bolt | 1 | 45 | 1376572 | Throttle Body Injection | 1 |
| 8 | 239503 | Nut | 4 | 45 | 1383994 | Kit-Joint | 1 |
| 9 | 1376725 | Fitting | 1 | 45 | 1350988 | Kit-Fuel Injector | 1 |
| 10 | 1345991 | Pressure Valve | 1 | 45 | 1383995 | Kit-Throttle Position Sensor | 1 |
| 11 | 1339438 | Seal | 1 | 45 | 1383996 | Kit-Idle Adjust | 1 |
| 12 | 89220 | Clamp | 1 | 45 | 1350991 | Kit-Fuel Inlet And Outlet | 1 |
| 13 | 1301016 | Spacer | 1 | 45 | 1358682 | Kit-Screw | 1 |
| 14 | 1376769 | Tube Assy | 1 | 46 | 1377021 | Stud | 2 |
| 15 | 1376770 | Tube Assy | 1 | 47 | 16805 | Hex Head Bolt | 2 |
| 16 | 1376771 | Hose | 1 | 48 | 15134 | Washer | 2 |
| 17 | 1376731 | Tube Assy | 1 | 49 | 15156 | Lockwasher | 2 |
| 18 | 360387 | Adhesive | AR | 50 | 1376614 | Screw | 1 |
| 19 | 1376730 | Tube Assy | 1 | 51 | 1376616 | Seal | 2 |
| 20 | 164488 | Clamp | 2 | 52 | 353198 | Clamp | 2 |
| 21 | 1376777 | Hose (Return) | 1 | 53 | 85766 | Hose | 1 |
| 22 | 1354259 | Fitting | 1 | 54 | 201808 | Fitting | 1 |
| 23 | 329067 | Screw | 2 | 55 | 136749 | Hex Head Bolt | 1 |
| 24 | 320157 | Washer | 2 | 56 | 1376727 | Clamp | 2 |
| 25 | 353000 | O-Ring | 2 | 57 | 1376779 | Bracket | 1 |
| 26 | 1343449 | Seal | 1 | 58 | 369815 | Clamp | 2 |
| 27 | 15964 | Fitting | 1 | 59 | 1350682 | Hose (Silicone) | 1 |
| 28 | 1339789 | Fuel Sender | 1 | 60 | 1376746 | Shield | 1 |
| 29 | 1343448 | Cover | 1 | 61 | 320158 | Washer | 2 |
| 30 | 14303 | Fitting | 2 | 62 | 292681 | Lockwasher | 2 |
| 31 | 1339759 | Tube Assy | 1 | 63 | 313828 | Nut | 2 |
| 32 | 1330383 | Wire Harness | 1 | 64 | 1339720 | Grommet | 1 |
| 33 | 1361596 | Spring | 2 | 65 | 160773 | Cap | 1 |
| 34 | 1363862 | Baffle | 1 | 66 ^b | 63899 | Cap | 1 |
| 35 | 1330326 | Clip | 1 | 66 ^b | 138880 | Shim | 1 |
| 36 | 1330325 | O-Ring | 1 | ^a Included in Fuel Pump Kit 1330324 | | | |
| 37 | 1327961 | Strainer | 1 | ^b Optional | | | |
| 38 ^a | | Pump | 1 | | | | |

**FUEL
DIESEL
2.6L**

| REF | PART NO. | NAME OF PART | QTY | REF | PART NO. | NAME OF PART | QTY |
|-----|----------|---------------------|-----|-----------------|----------|---------------------------|-----|
| 1 | 1343448 | Cover | 1 | 22 | 1396257 | Bracket (Filter) | 1 |
| 2 | 329067 | Screw | 2 | 23 | 239503 | Nut | 6 |
| 3 | 320157 | Washer | 10 | 24 | 292681 | Lockwasher | 5 |
| 4 | 353000 | O-Ring | 2 | 25 | 176640 | Hex Head Bolt | 2 |
| 5 | 1343449 | Seal | 1 | 26 | 1374930 | Clamp | 5 |
| 6 | 1350286 | Shut-Off Cock | 2 | 27 | 137852 | Strap Clamp | AR |
| 7 | 14303 | Fitting | 1 | 28 | 1350292 | Pipe | 1 |
| 8 | 15964 | Fitting | 1 | 29 | 1458372 | Fitting | 1 |
| 9 | 1350291 | Washer | 1 | 30 | 1396342 | Tube Assy | 2 |
| 10 | 1350290 | Washer | 1 | 31 | 173941 | Plug | 2 |
| 11 | 1351000 | Washer | 1 | 32 | 981260 | Washer | 2 |
| 12 | 1356459 | Screw | 1 | 33 | 1458456 | Hose | 1 |
| 13 | 197067 | Washer | 1 | 34 | 1347153 | Gauge (Fuel Sender) | 1 |
| 14 | 1350298 | Nut | 2 | 35 | 1359437 | Hose Assy | 1 |
| 15 | 1350299 | Lockwasher | 2 | 36 | 119074 | Clamp | 1 |
| 16 | 1376746 | Shield | 1 | 37 | 1396256 | Water Separator | 1 |
| 17 | 320158 | Washer | 2 | 38 | 392800 | Hose | 1 |
| 18 | 313828 | Nut | 2 | 39 ^a | 63889 | Fuel Cap | 1 |
| 19 | 1350231 | Plug | 1 | 40 | 157704 | Fuel Cap | 1 |
| 20 | 1347045 | Fastener | 1 | 41 ^a | 138880 | Shim | AR |
| 21 | 1339720 | Grommet | 1 | | | ^a Type DS | |

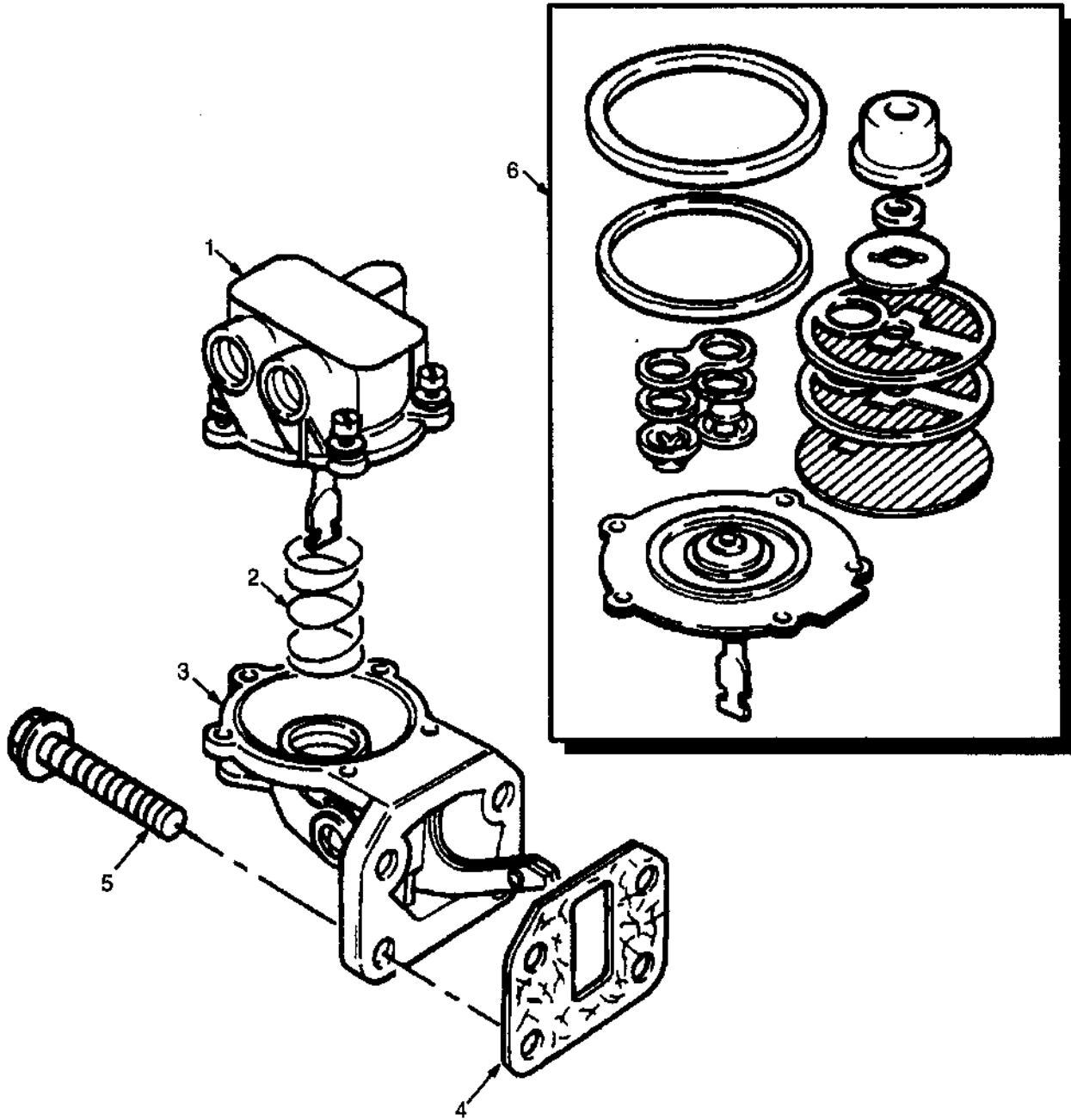
FUEL FILTER AND LIFT PUMP DIESEL 2.6L (Figure 49)



**FUEL FILTER AND LIFT PUMP
DIESEL
2.6L**

| REF | PART NO. | NAME OF PART | QTY | REF | PART NO. | NAME OF PART | QTY |
|-----------------|----------|-------------------|-----|-----------------|----------|--|-----|
| 1 | 173944 | Fuel Filter | 1 | 20 | 983348 | Washer | 2 |
| 2 ^a | | Element | 1 | 21 | | Pipe | 1 |
| 3 ^a | 124218 | O-Ring | 2 | 22 | | Bolt | 1 |
| 4 ^a | 124239 | Seal | 2 | 23 | | Olive | 1 |
| 5 | 1307910 | Screw | 2 | 24 | 1457899 | Pipe | 1 |
| 6 | 173941 | Plug | 2 | 25 | 167507 | Nut | 2 |
| 7 | 981260 | Washer | 2 | 26 ^b | 167508 | Olive | 2 |
| 8 | 1457920 | Fuel Pipe | 1 | 27 | 1457901 | Connector | 1 |
| 9 | 158186 | Nut | 2 | 28 | 983322 | Washer | 1 |
| 10 ^b | 158187 | Olive | 2 | 29 | 16118 | Nut | 1 |
| 11 | 1457897 | Fuel Pipe | 1 | 30 | 16114 | Olive | 1 |
| 12 | 158186 | Nut | 2 | 31 | 1457902 | Pipe | 1 |
| 13 ^b | 158187 | Olive | 2 | 32 | 1457895 | Lift Pump | 1 |
| 14 | | Connector | 1 | | | ☞ Figure 50 | |
| 15 | | Bolt | 1 | 33 | 16100 | Nut | 2 |
| 16 | | Washer | 1 | 34 | 16177 | Olive | 2 |
| 17 | | Washer | 1 | 35 | 1457912 | Pipe | 1 |
| 18 | 1457898 | Connector | 1 | | | ^a Included In Element Kit 124217 | |
| 19 | 983346 | Bolt | 1 | | | ^b Included In Top Joint Kit 1457955 | |

FUEL PUMP DIESEL 2.6L (Figure 50)

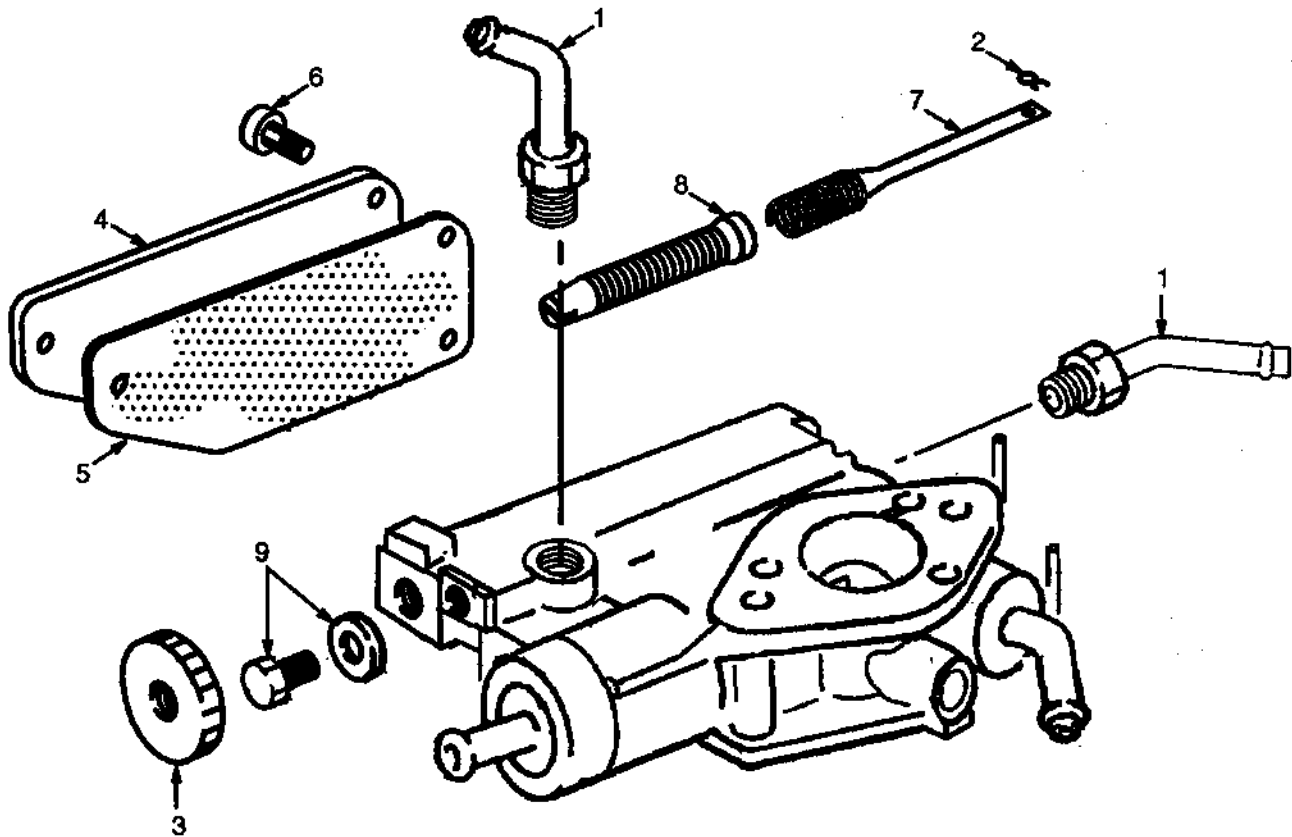


**FUEL PUMP
DIESEL
2.6L**

| <u>REF</u> | <u>PART NO.</u> | <u>NAME OF PART</u> | <u>QTY</u> | <u>REF</u> | <u>PART NO.</u> | <u>NAME OF PART</u> | <u>QTY</u> |
|----------------|-----------------|---------------------|------------|------------|-----------------|--------------------------------------|------------|
| | 1457895 | Lift Pump | 1 | 5 | 1306349 | Screw | 4 |
| 1 | | Body | 1 | 6 | 1456518 | Kit-Repair | 1 |
| 2 | | Spring | 1 | | ^a | Included In Bottom Kit-Joint 1457956 | |
| 3 | | Body | 1 | | | | |
| 4 ^a | 1382562 | Joint | 1 | | | | |

GOVERNOR PETROL AND LPG 2,0L ENGINE

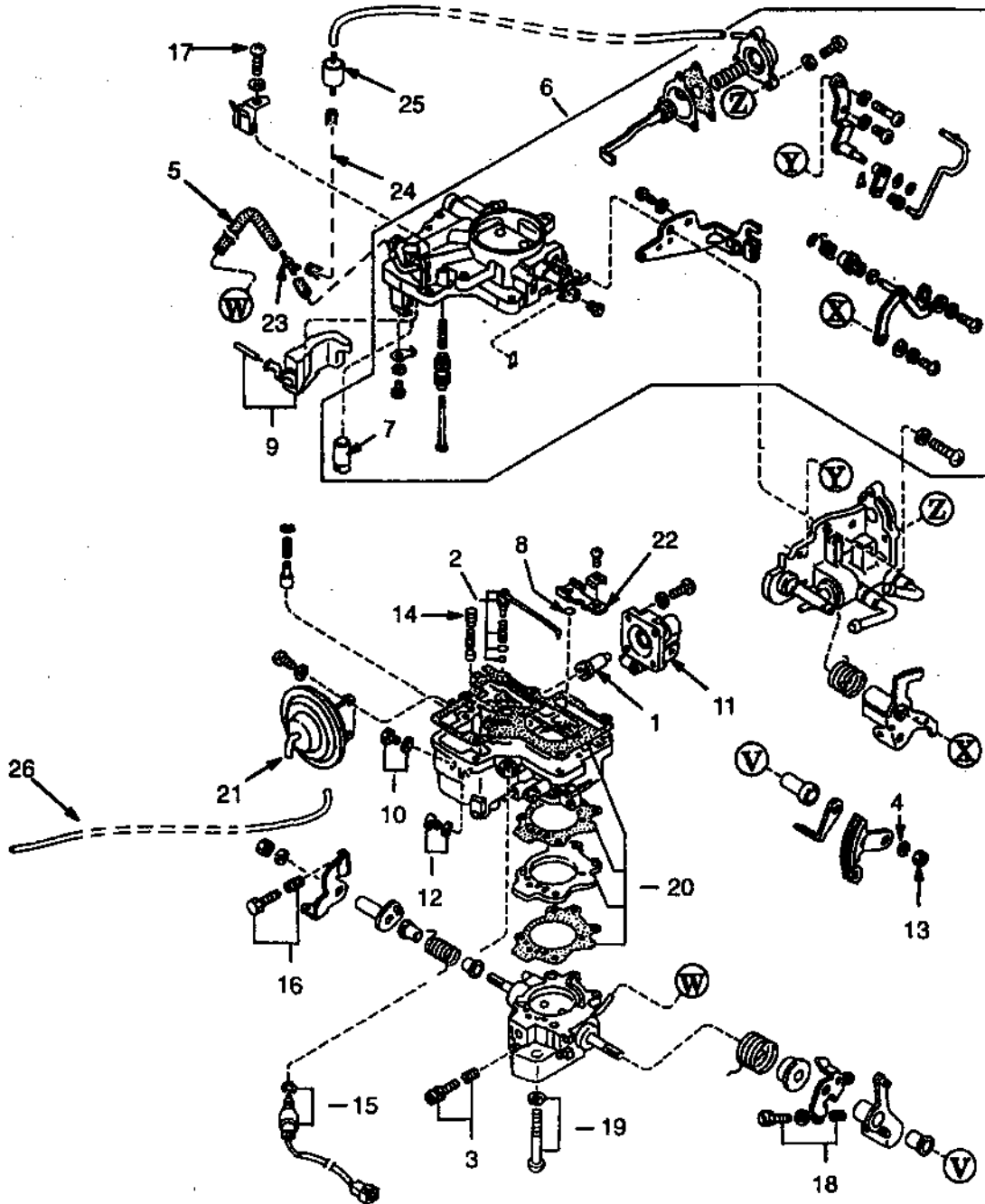
(Figure 51)



**GOVERNOR
PETROL AND LPG
2,0L ENGINE**

| <u>REF</u> | <u>PART NO.</u> | <u>NAME OF PART</u> | <u>QTY</u> | <u>REF</u> | <u>PART NO.</u> | <u>NAME OF PART</u> | <u>QTY</u> |
|------------|-----------------|---------------------|------------|------------|-----------------|---------------------|------------|
| | 1361751 | Governor | 1 | 5 | 1367523 | Joint | 1 |
| 1 | 1367517 | Connector | 2 | 6 | 1367524 | Screw | 3 |
| 2 | 1367519 | Circlip | 1 | 7 | 1367525 | Spring | 1 |
| 3 | 1367520 | Bush | 1 | 8 | 1367526 | Screw | 1 |
| 4 | 1367522 | Cover | 1 | 9 | 1367527 | Bolt | 1 |

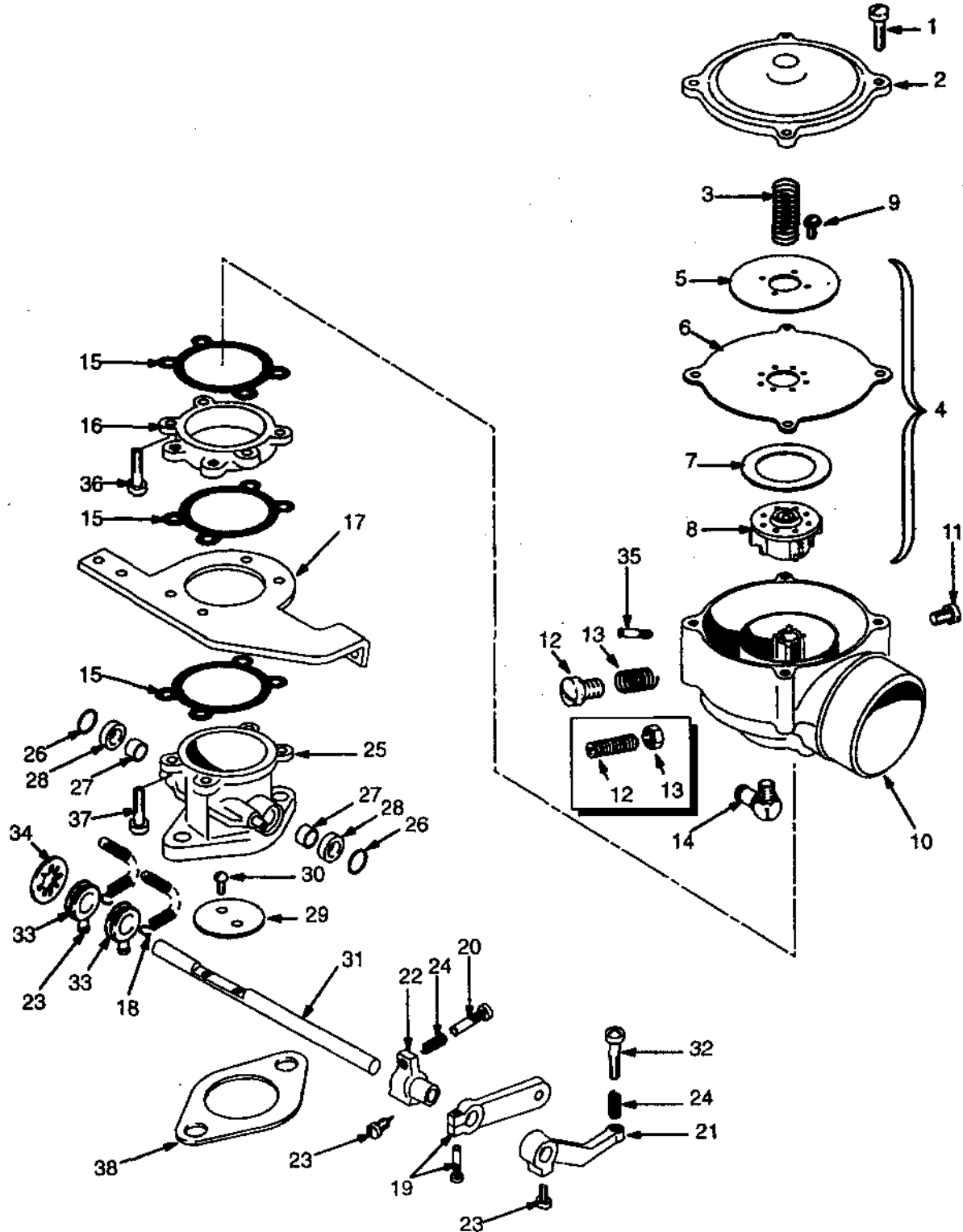
CARBURETTOR PETROL 2,0L ENGINE (Figure 52)



**CARBURETTOR
PETROL
2,0L ENGINE**

| <u>REF</u> | <u>PART NO.</u> | <u>NAME OF PART</u> | <u>QTY</u> | <u>REF</u> | <u>PART NO.</u> | <u>NAME OF PART</u> | <u>QTY</u> |
|------------|-----------------|---------------------|------------|------------|-----------------|--------------------------|------------|
| | 1361767 | Carburettor | 1 | 14 | 1361781 | Jet (Slow) | 1 |
| 1 | 1361768 | Plunger | 1 | 15 | 1361782 | Solenoid Valve | 1 |
| 2 | 1361769 | Kit-Nozzle | 1 | 16 | 1361783 | Idle Screw | 1 |
| 3 | 1361770 | Kit-Screw | 1 | 17 | 1361784 | Screw And Washer | 1 |
| 4 | 1361772 | Washer | 2 | 18 | 1361785 | Throttle Screw | 1 |
| 5 | 1390860 | Vacuum Hose | 1 | 19 | 1361786 | Kit-Screw | 1 |
| 6 | 1361774 | Air Inlet | 1 | 20 | 1361787 | Kit-Joint | 1 |
| 7 | 1361771 | Jet | 1 | 21 | 1361788 | Vacuum (Diaphragm) | 1 |
| 8 | 1361775 | O-Ring | 1 | 22 | 1361789 | Idle Compensator | 1 |
| 9 | 1361776 | Float | 1 | 23 | 1374789 | Fitting | 1 |
| 10 | 1361777 | Drain Plug | 1 | 24 | 1361796 | Hose | 1 |
| 11 | 1382673 | Pump Arm | 1 | 25 | 1390858 | Cushion (Jet) | 1 |
| 12 | 1361779 | Jet (Main) | 1 | 26 | 1451025 | Tube (Vacuum) | 1 |
| 13 | 1361780 | Nut | 2 | | | | |

CARBURETTOR LPG 2.0L ENGINE (Figure 53)



CARBURETTOR LPG 2.0L ENGINE

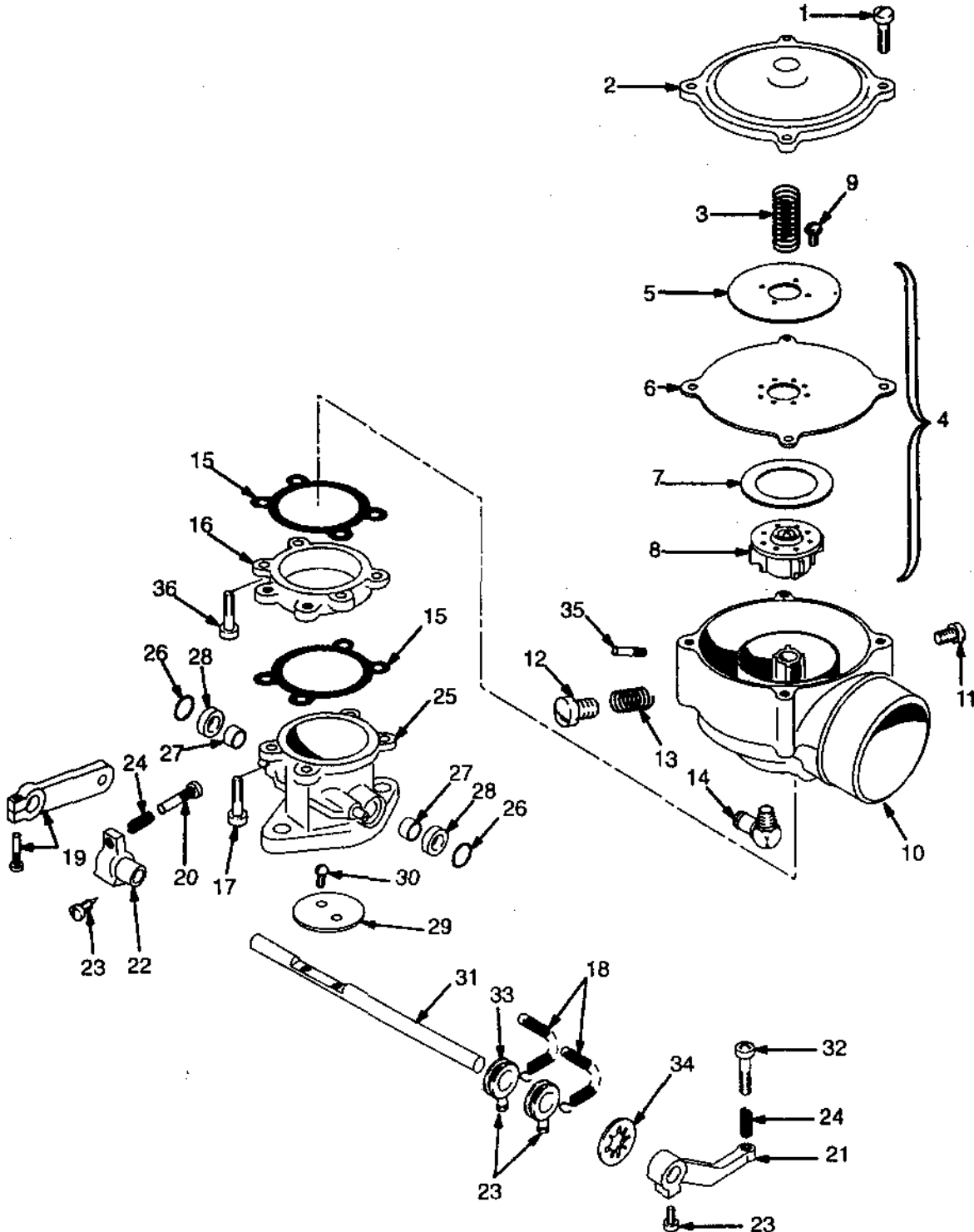
KEY:

A: LPG Carburettor (Standard)

B: 3-Way Type Carburetor

| REF | PART NO. | NAME OF PART | QTY | | REF | PART NO. | NAME OF PART | QTY | |
|-----|----------|---------------------|-----|----|-----|----------|------------------------|-----|----|
| | | | A | B | | | | A | B |
| | 1376621 | Carburettor | 1 | .. | 18 | 1358245 | Spring | 2 | 2 |
| | 1377689 | Carburettor | 1 | .. | 19 | 1375905 | Lever | 1 | .. |
| 1 | 132473 | Screw | 4 | 4 | 19 | | Lever | 1 | .. |
| 2 | 204780 | Cover | 1 | 1 | 20 | 16751 | Screw | 1 | 1 |
| 3 | 374713 | Spring | 1 | 1 | 21 | 1358241 | Floating Lever | 1 | 1 |
| 4 | 1453779 | Kit-Diaphragm | 1 | .. | 22 | 1358242 | Stop Lever | 1 | 1 |
| 4 | 1382974 | Kit-Diaphragm | 1 | .. | 23 | 1358243 | Screw | 4 | 2 |
| 5 | | Back-Up Plate | 1 | .. | 24 | 204824 | Spring | 2 | 2 |
| 6 | 1369038 | Diaphragm | 1 | .. | 25 | 1358240 | Throttle Body | 1 | 1 |
| 7 | 204858 | Ring | 1 | .. | 26 | 204797 | Retainer | 2 | 2 |
| 8 | | Valve | 1 | .. | 27 | 1382059 | Seal | 2 | 2 |
| 9 | 220283 | Screw | 4 | .. | 28 | 214121 | Bearing | 2 | 2 |
| 10 | 250371 | Air Inlet | 1 | .. | 29 | 241074 | Throttle Plate | 1 | 1 |
| 10 | 1383600 | Air Inlet | 1 | .. | 30 | 12490 | Screw | 2 | 2 |
| 11 | 326926 | Screw | 1 | 2 | 31 | | Shaft | 1 | 1 |
| 12 | 326516 | Idle Screw | 1 | .. | 32 | 1374057 | Screw | 1 | .. |
| 12 | 1383601 | Idle Screw | 1 | .. | 32 | 1358244 | Screw | 1 | .. |
| 13 | 332277 | Spring | 1 | .. | 33 | 387478 | Bush | 2 | .. |
| 13 | 1383602 | Nut | 1 | .. | 34 | 387480 | Retainer | 1 | .. |
| 14 | 1361164 | Fitting | 1 | .. | 35 | 323541 | Nipple | 1 | .. |
| 14 | 323541 | Fitting | 1 | .. | 36 | 204790 | Screw | 4 | 4 |
| 15 | 204787 | Joint | 3 | 3 | 37 | 387481 | Screw | 4 | 4 |
| 16 | 303072 | Spacer | 1 | 1 | 38 | 195771 | Mounting (Joint) | 1 | 1 |
| 17 | 1358239 | Bracket | 1 | 1 | | | | | |

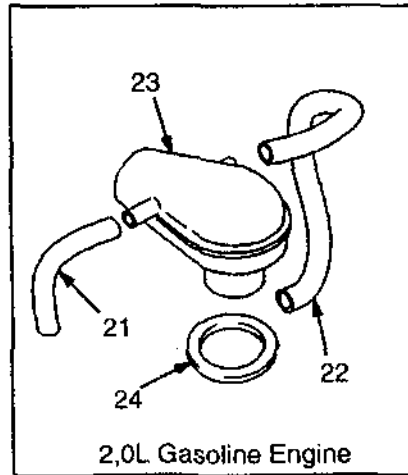
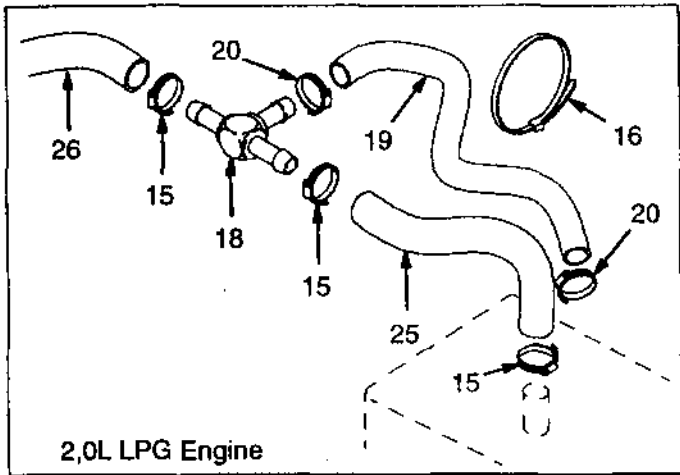
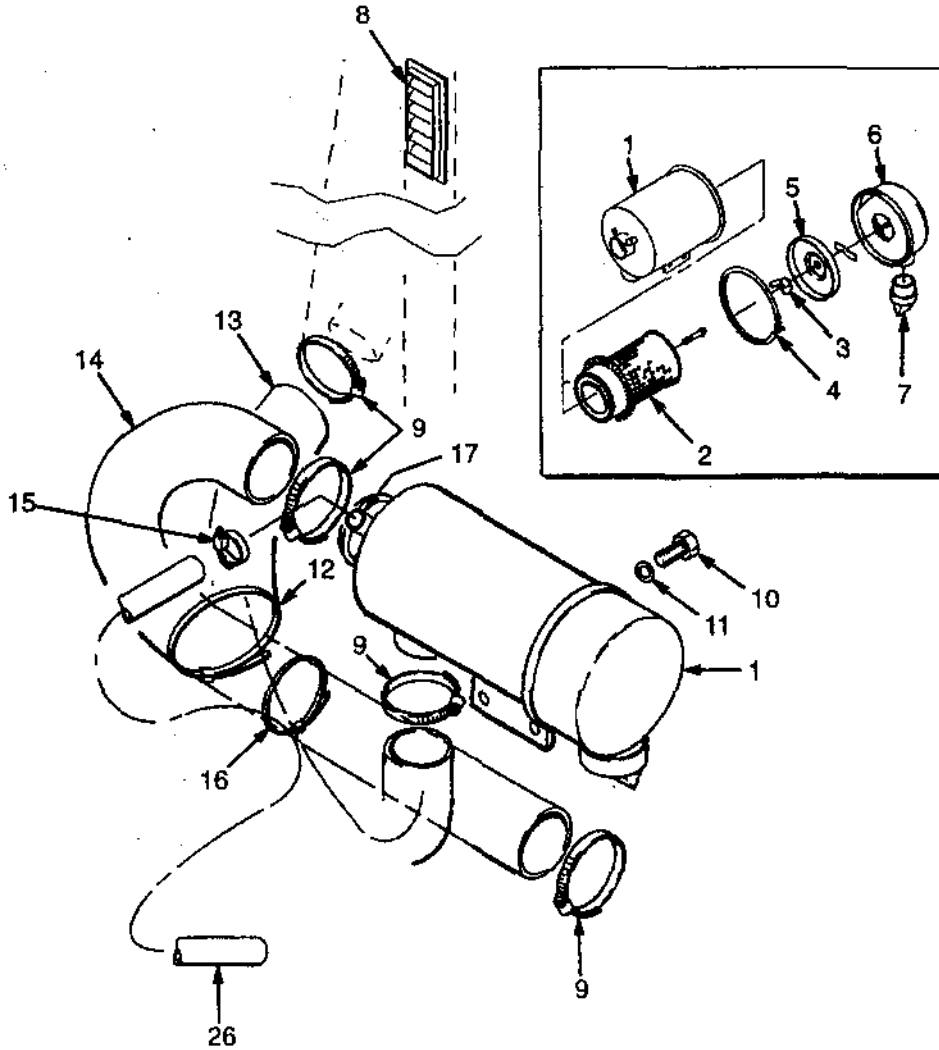
CARBURETTOR LPG 3,0L- ENGINE (Figure 54)



CARBURETTOR
LPG
3,0L- ENGINE

| REF | PART NO. | NAME OF PART | QTY | REF | PART NO. | NAME OF PART | QTY |
|-----|----------|----------------------|-----|-----|----------|----------------------|-----|
| | 1389498 | Carburettor | 1 | 19 | 1380268 | Throttle Lever | 1 |
| 1 | 132473 | Screw | 1 | 20 | 16751 | Screw | 1 |
| 2 | 204780 | Cover | 1 | 21 | 1358241 | Floating Lever | 1 |
| 3 | 374713 | Spring | 1 | 22 | 1358242 | Stop Lever | 1 |
| 4 | 1452798 | Air Valve Assy | 1 | 23 | 1358243 | Screw | 4 |
| 5 | | Back-Up Plate | 1 | 24 | 204824 | Spring | 2 |
| 6 | 1369450 | Diaphragm | 1 | 25 | 1455262 | Throttle Body | 1 |
| 7 | 204858 | Ring | 1 | 26 | | Retainer | 2 |
| 8 | | Valve | 1 | 27 | | Seal | 2 |
| 9 | 220283 | Screw | 4 | 28 | | Bearing | 2 |
| 10 | 250371 | Air Inlet | 1 | 29 | | Float | 1 |
| 11 | 326926 | Screw | 1 | 30 | | Screw | 2 |
| 12 | 326516 | Idle Screw | 1 | 31 | | Shaft | 1 |
| 13 | 332277 | Spring | 1 | 32 | 1374057 | Screw | 1 |
| 14 | 1361164 | Fitting | 1 | 33 | 387478 | Bush | 2 |
| 15 | 204787 | Joint | 2 | 34 | 387480 | Retainer | 1 |
| 16 | 303072 | Spacer | 1 | 35 | 323541 | Nipple | 1 |
| 17 | 387481 | Screw | 4 | 36 | 204790 | Screw | 4 |
| 18 | 1358245 | Spring | 2 | | | | |

AIR FILTER PETROL AND LPG 2.0L ENGINE (Figure 55)

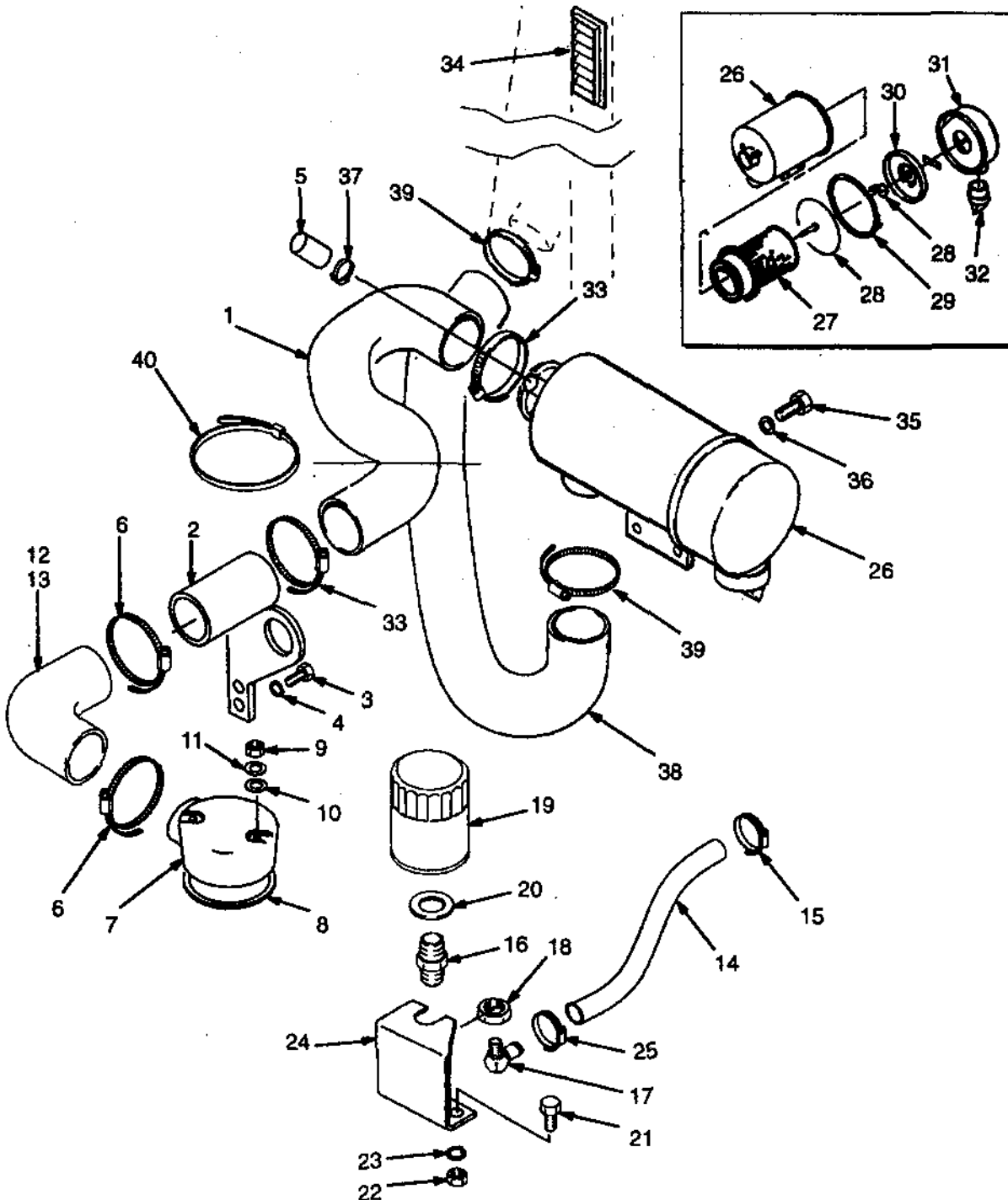


**AIR FILTER
 PETROL AND LPG
 2.0L ENGINE**

| REF | PART NO. | NAME OF PART | QTY | REF | PART NO. | NAME OF PART | QTY |
|-----------------|----------|---------------------|-----|-----------------|----------|-------------------|-----|
| 1 | 1343635 | Air Filter | 1 | 15 | 166857 | Clamp | 4 |
| 2 ^c | 305080 | Element | 1 | 16 ^b | 2004005 | Strap Clamp | 1 |
| 3 | 125847 | Nut And Joint | 1 | 17 ^a | 1359608 | Plug | 1 |
| 4 | 290734 | Clamp | 1 | 18 ^b | 1374916 | Fitting | 1 |
| 5 | 290735 | Baffle | 1 | 19 ^b | 193008 | Hose | 1 |
| 6 | 374922 | Cup | 1 | 20 ^b | 168718 | Clamp | 1 |
| 7 | 374923 | Valve | 1 | 21 | 1361794 | Hose | 1 |
| 8 | 1339265 | Grille | 1 | 22 | 1361797 | Hose | 1 |
| 9 | 112989 | Clamp | 4 | 23 ^a | 1361766 | Elbow | 1 |
| 10 | 287854 | Hex Head Bolt | 2 | 24 ^a | 1361765 | Seal | 1 |
| 11 | 292682 | Lockwasher | 2 | 25 | 1365895 | Hose | 1 |
| 12 | 273775 | Strap Clamp | 1 | 26 ^b | 1374917 | Hose | 1 |
| 13 | 1343638 | Hose | 1 | | | | |
| 14 ^a | 1368917 | Hose | 1 | | | | |
| 14 ^b | 1368980 | Hose | 1 | | | | |

^a Petrol
^b LPG
^c Included In Repair Kit 996423

AIR FILTER AND BREATHER PETROL AND LPG 3.0L ENGINE (Figure 56)

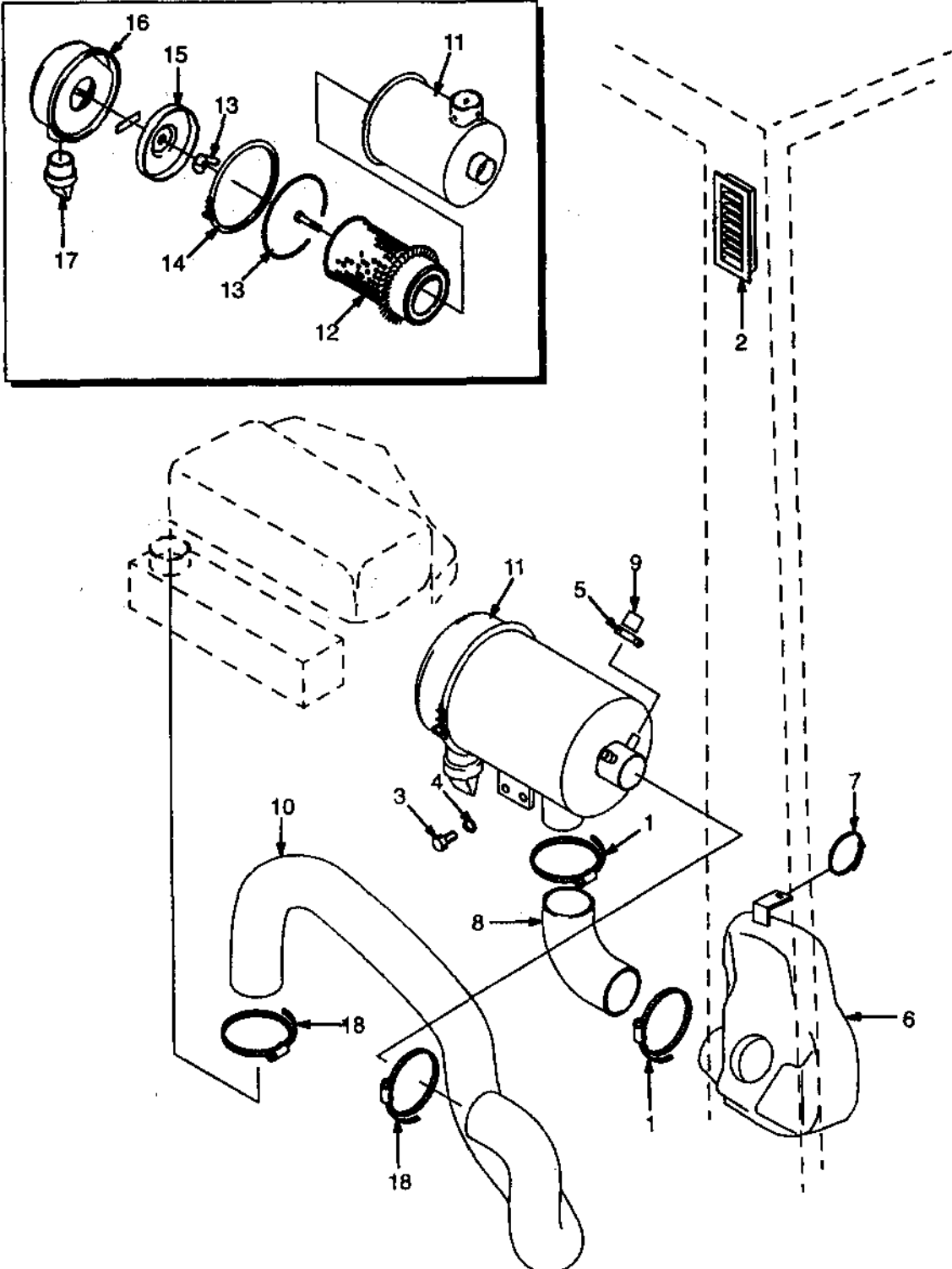


**AIR FILTER AND BREATHER
PETROL AND LPG
3.0L ENGINE**

KEY:
A: Petrol
B: LPG

| REF | PART NO. | NAME OF PART | QTY | | REF | PART NO. | NAME OF PART | QTY | |
|-----------------|----------|---------------------|-----|----|-----------------|----------|---|-----|---|
| | | | A | B | | | | A | B |
| 1 | 1375174 | Hose (Intake) | 1 | 1 | 22 | 136687 | Nut | 2 | 2 |
| 2 | 1375696 | Tube | 1 | 1 | 23 | 292680 | Lockwasher | 2 | 2 |
| 3 | 16598 | Hex Head Bolt | 2 | 2 | 24 | 1376576 | Bracket | 1 | 1 |
| 4 | 15156 | Lockwasher | 2 | 2 | 25 | 166857 | Clamp | 1 | 1 |
| 5 | 1359608 | Plug | 1 | 1 | 26 | 1343635 | Air Filter | 1 | 1 |
| 6 | 112989 | Clamp | 2 | 2 | 27 ^b | 305080 | Element | 1 | 1 |
| 7 | 1375722 | Air Inlet | 1 | .. | 28 | 125847 | Nut And Joint | 1 | 1 |
| 8 | 1347021 | Joint | 1 | .. | 29 | 290734 | Clamp | 1 | 1 |
| 9 | 313828 | Locknut | 2 | .. | 30 | 290735 | Baffle | 1 | 1 |
| 10 | 109919 | Washer (Seal) | 2 | .. | 31 | 374922 | Cup | 1 | 1 |
| 11 | 320157 | Washer | 2 | .. | 32 | 374923 | Valve | 1 | 1 |
| 12 ^a | 1375744 | Hose | 1 | .. | 33 | 112989 | Clamp | 2 | 2 |
| 13 ^a | 1375693 | Hose | 1 | .. | 34 | 1339265 | Grille | 1 | 1 |
| 14 | 1376726 | Hose | 1 | 1 | 35 | 287854 | Hex Head Bolt | 2 | 2 |
| 15 | 130845 | Clamp | 1 | 1 | 36 | 292682 | Lockwasher | 2 | 2 |
| 16 | 1350042 | Adapter | 1 | 1 | 37 | 166857 | Clamp | 1 | 1 |
| 17 | 16788 | Fitting | 1 | 1 | 38 | 1343638 | Hose | 1 | 1 |
| 18 | 14761 | Nut | 1 | 1 | 39 | 112989 | Clamp | 2 | 2 |
| 19 | 1350036 | Filter | 1 | 1 | 40 | 1323864 | Strap Clamp | 1 | 1 |
| 20 | 1300152 | Washer (Seal) | 1 | 1 | | | ^a Not Used With Dual Fuel System | | |
| 21 | 292500 | Hex Head Bolt | 2 | 2 | | | ^b Included In Repair Kit 996423 | | |

AIR FILTER DIESEL 2.6L (Figure 57)

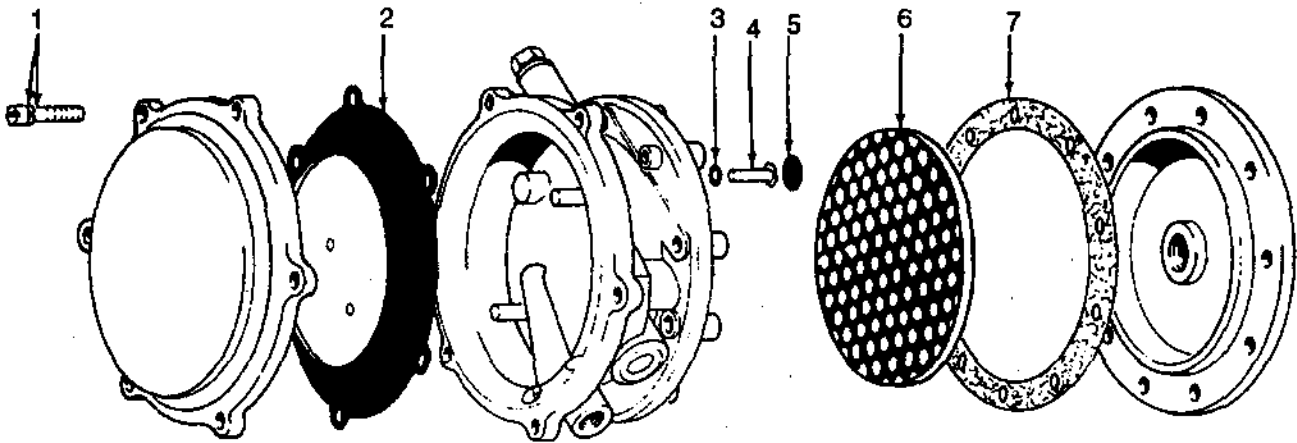


AIR FILTER DIESEL 2.6L

| REF | PART NO. | NAME OF PART | QTY | REF | PART NO. | NAME OF PART | QTY |
|-----|----------|---------------------|-----|-----|----------|---------------------|-----|
| 1 | 112989 | Clamp | 4 | 10 | 1396255 | Hose (Intake) | 1 |
| 2 | 1339265 | Grille | 1 | 11 | 1343635 | Air Filter | 1 |
| 3 | 287854 | Hex Head Bolt | 2 | 12 | 305080 | Element | 1 |
| 4 | 292682 | Washer | 2 | 13 | 125847 | Nut And Joint | 1 |
| 5 | 166857 | Clamp | 1 | 14 | 290734 | Clamp | 1 |
| 6 | 1383783 | Silencer | 1 | 15 | 290735 | Baffle | 1 |
| 7 | 114312 | Clamp | 1 | 16 | 374922 | Cup | 1 |
| 8 | 1383784 | Hose (Elbow) | 1 | 17 | 374923 | Valve | 1 |
| 9 | 1359608 | Plug | 1 | | | | |

FILTER AND LOCK-OFF VALVE LPG

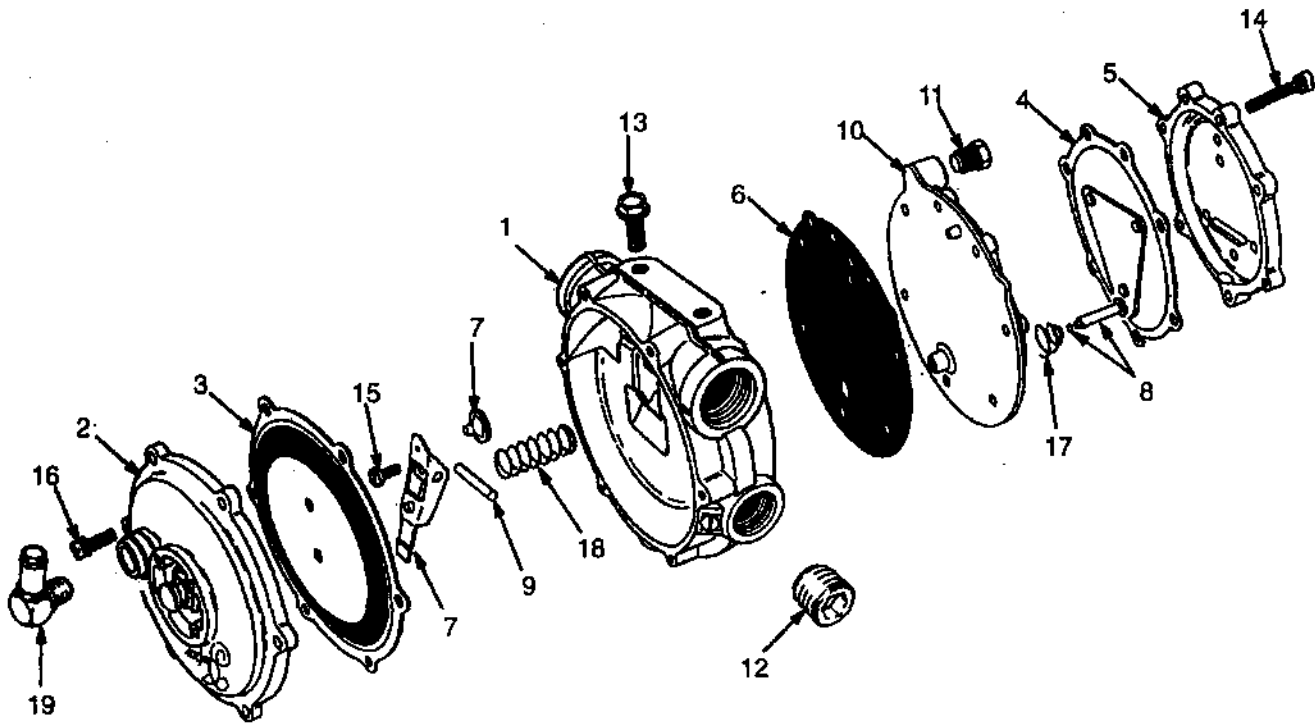
(Figure 58)



**FILTER AND LOCK-OFF VALVE
LPG**

| REF | PART NO. | NAME OF PART | QTY | REF | PART NO. | NAME OF PART | QTY |
|----------------|----------|---------------------------------|-----|----------------|----------|--|-----|
| | 258321 | Filter And Lock-off Valve | 1 | 5 ^a | | Valve Seat | 1 |
| 1 ^a | | Screw | 2 | 6 ^a | 263962 | Filter | 1 |
| 1 ^a | | Washer | 2 | 7 ^a | | Joint | 1 |
| 2 ^a | | Diaphragm | 1 | | | ^a Included In Repair Kit 263958 | |
| 3 ^a | | O-ring | 1 | | | | |
| 4 ^a | | Screw | 1 | | | | |

LPG CONVERTER LAST USED ON S/N H177B-1786 (Figure 59A)

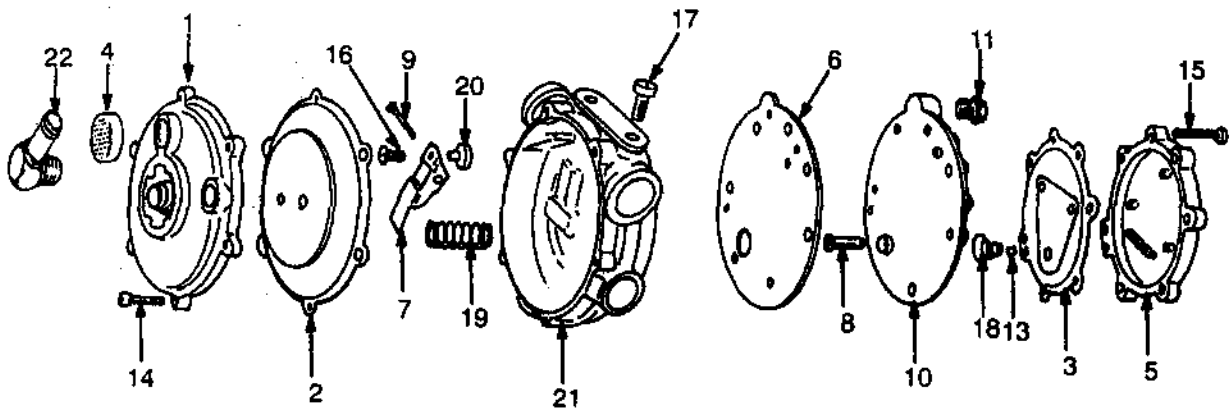


LPG CONVERTER
LAST USED ON S/N H177B-1786

| REF | PART NO. | NAME OF PART | QTY | REF | PART NO. | NAME OF PART | QTY |
|----------------|----------|-----------------------------|-----|-----------------|---|-------------------|-----|
| | 1369572 | LPG Converter Assy | 1 | 11 | 1357749 | Plug | 1 |
| 1 | 1375027 | Body | 1 | 12 | 1357707 | Plug | 1 |
| 2 | | Cover | 1 | 13 | 1369065 | Screw | 2 |
| 3 ^a | 1375047 | Diaphragm (Secondary) | 1 | 14 ^a | 1450126 | Screw | 2 |
| 4 ^a | 1375032 | Diaphragm (Primary) | 1 | 15 ^a | 16719 | Screw | 1 |
| 5 | 1375037 | Cover (Primary) | 1 | 16 ^a | 1450126 | Screw | 2 |
| 6 ^a | 1375033 | Joint | 1 | 17 | 1375030 | Spring | 1 |
| 7 | 204829 | Lever (Secondary) | 1 | 18 | 204831 | Spring | 1 |
| 7 ^a | | Seat | 1 | 19 | 1369066 | Check Valve | 1 |
| 8 ^a | 1376429 | Pin Assy | 1 | | ^a Included In Repair Kit 1375031 | | |
| 9 | 204830 | Pin | 1 | | | | |
| 10 | 1375029 | Plate | 1 | | | | |

LPG CONVERTER FIRST USED ON S/N H177B-1787

(Figure 59B)



LPG CONVERTER
FIRST USED ON S/N H177B-1787

KEY:

A: Standard

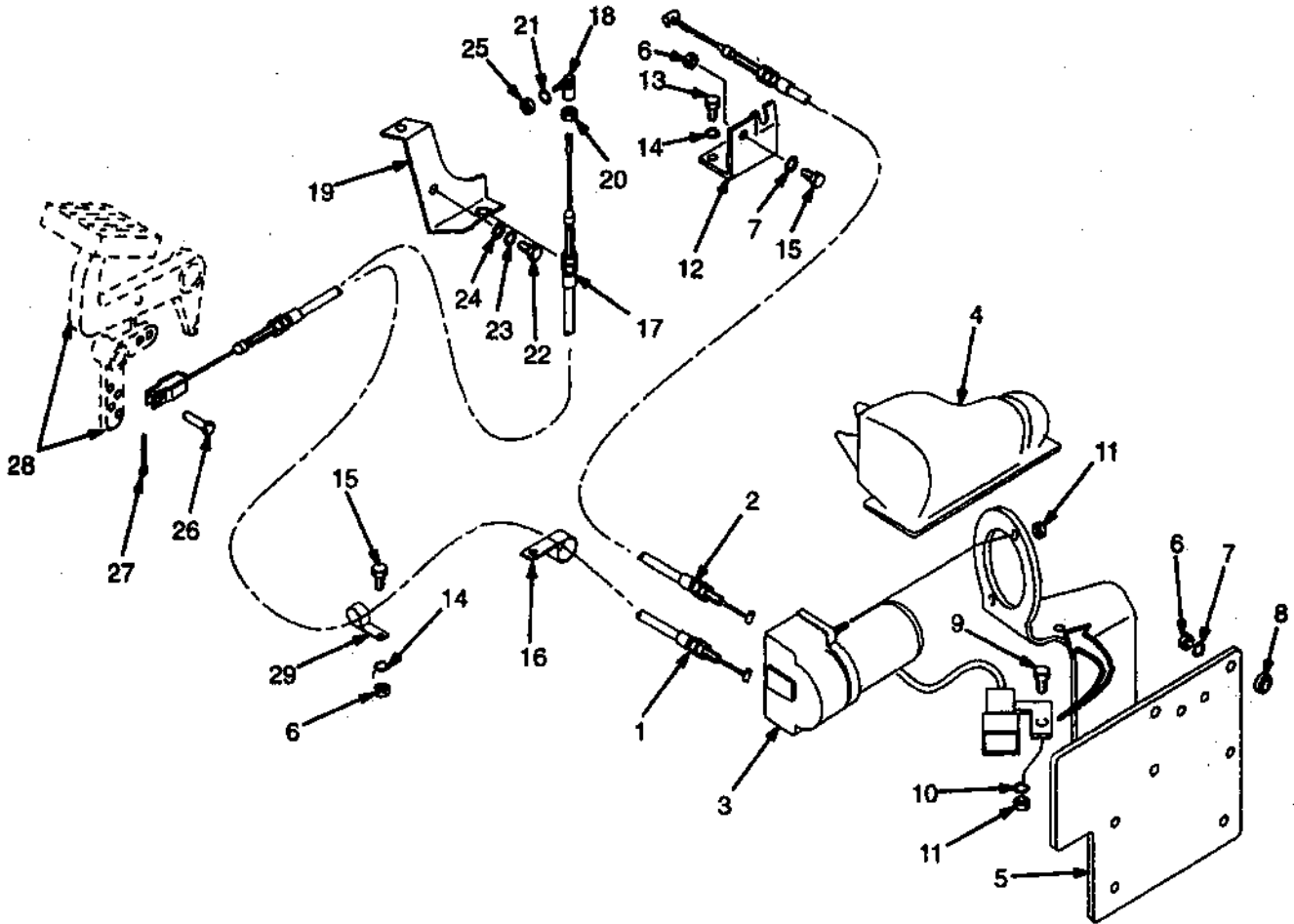
B: Media Brand

3-Way Purifilter

| REF | PART NO. | NAME OF PART | QTY | | REF | PART NO. | NAME OF PART | QTY | |
|----------------|----------|------------------------|-----|----|-----------------|----------|---|-----|----|
| | | | A | B | | | | A | B |
| | 1457964 | LPG Converter | 1 | .. | 12 | 1357707 | Plug (Not Illustrated) | 1 | 1 |
| | 1458025 | LPG Converter | 1 | .. | 13 ^a | | E-Ring | 1 | 1 |
| 1 | 1455309 | Cover | 1 | 1 | 14 | 1450126 | Screw | 6 | 6 |
| 2 ^a | | Diaphragm (Assy) | 1 | 1 | 15 | 1455307 | Screw | 7 | 7 |
| 3 ^a | | Diaphragm | 1 | 1 | 16 | 1455306 | Screw | 1 | 1 |
| 4 | 1367622 | Screen | 1 | .. | 17 | 1369065 | Screw (And Washer) | 2 | 2 |
| 5 | 1375037 | Cover | 1 | 1 | 18 | 1455305 | Spring | 1 | 1 |
| 6 ^a | | Joint | 1 | 1 | 19 | 204831 | Spring | 1 | 1 |
| 7 | 1357746 | Lever | 1 | 1 | 20 ^a | | Seat | 1 | 1 |
| 8 | | Pin 1 | 1 | .. | 21 | 1455310 | Body (Assy) | 1 | 1 |
| 9 | 204830 | Fulcrum (Pin) | 1 | 1 | 22 | 1369066 | Check Valve | 1 | .. |
| 10 | 1375029 | Plate | 1 | 1 | | | ^a Included in Repair Kit 1459717 | | |
| 11 | 1357749 | Plug | 1 | 1 | | | | | |

THROTTLE LINKAGE PETROL AND LPG 3,0L ENGINE

(Figure 60)



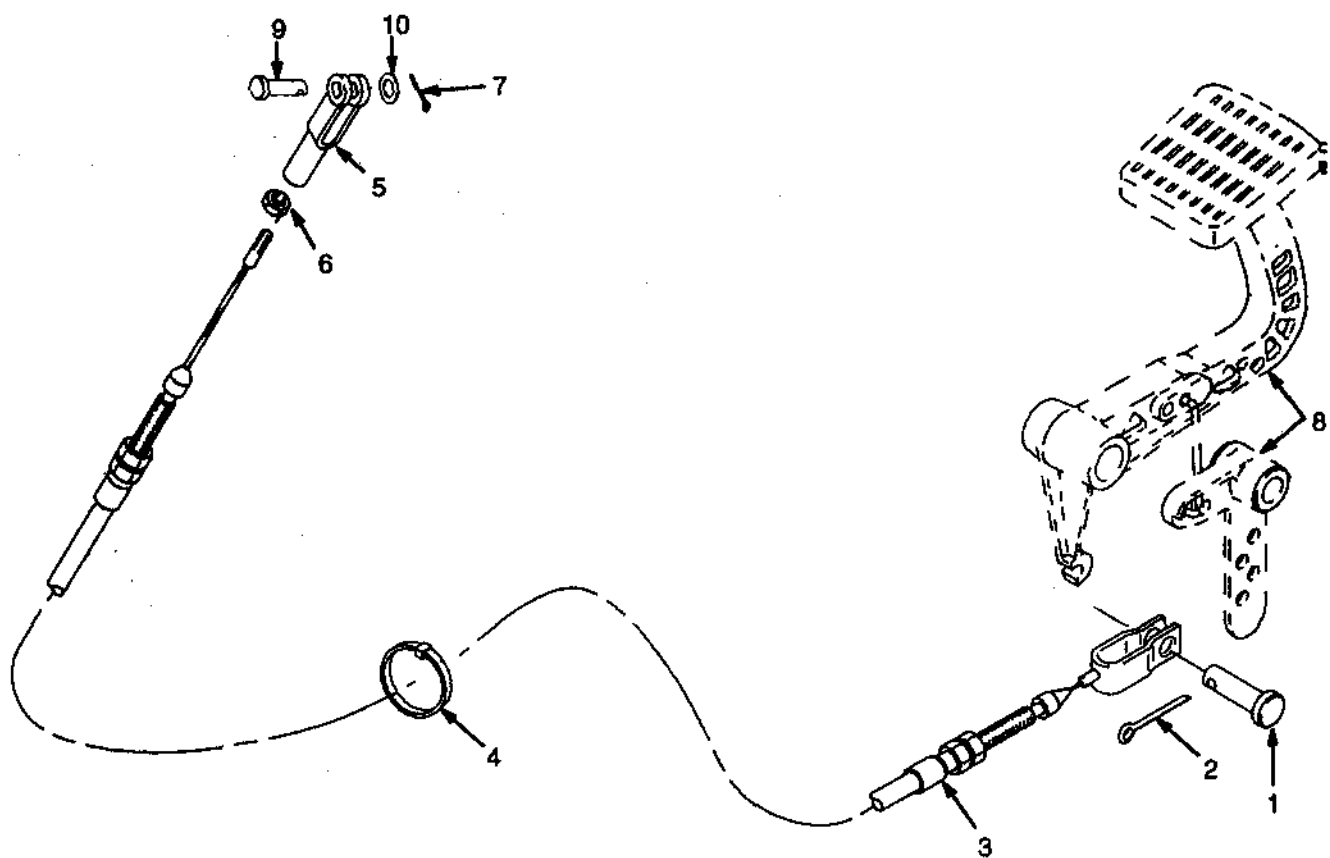
**THROTTLE LINKAGE
PETROL AND LPG
3,0L ENGINE**

KEY:**A: Petrol****B: LPG**

| REF | PART NO. | NAME OF PART | QTY | | REF | PART NO. | NAME OF PART | QTY | |
|-----|----------|----------------------|-----|----|-----|----------|---------------------|-----|----|
| | | | A | B | | | | A | B |
| 1 | 1375834 | Throttle Cable | 1 | .. | 16 | 1376782 | Clamp | 1 | .. |
| 2 | 1375835 | Throttle Cable | 1 | .. | 17 | 1339632 | Cable | 1 | .. |
| 3 | 1359450 | Actuator | 1 | .. | 18 | 161252 | Ball Joint | 1 | .. |
| 4 | 1356437 | Cover | 1 | .. | 19 | 1389499 | Bracket | 1 | .. |
| 5 | 1375826 | Bracket | 1 | .. | 20 | 15002 | Nut | 1 | .. |
| 6 | 313828 | Lockout | 5 | .. | 21 | 15154 | Lockwasher | 1 | .. |
| 7 | 320158 | Washer | 4 | .. | 22 | 16836 | Hex Head Bolt | 1 | .. |
| 8 | 1375848 | Spacer | 3 | .. | 23 | 15155 | Lockwasher | 1 | .. |
| 9 | 287816 | Hex Head Bolt | 1 | .. | 24 | 18515 | Washer | 1 | .. |
| 10 | 320156 | Washer | 1 | .. | 25 | 15004 | Nut | 1 | .. |
| 11 | 313805 | Locknut | 3 | .. | 26 | 162836 | Pin | 1 | 1 |
| 12 | 1375786 | Bracket | 1 | .. | 27 | 15212 | Split Pin | 1 | 1 |
| 13 | 136749 | Hex Head Bolt | 1 | .. | 28 | | Pedal Linkage | 1 | 1 |
| 14 | 292681 | Lockwasher | 2 | .. | | | ☛ Figure 61 | | |
| 15 | 136681 | Hex Head Bolt | 2 | .. | 29 | 1376727 | Clamp | 1 | .. |

THROTTLE LINKAGE

(Figure 61)



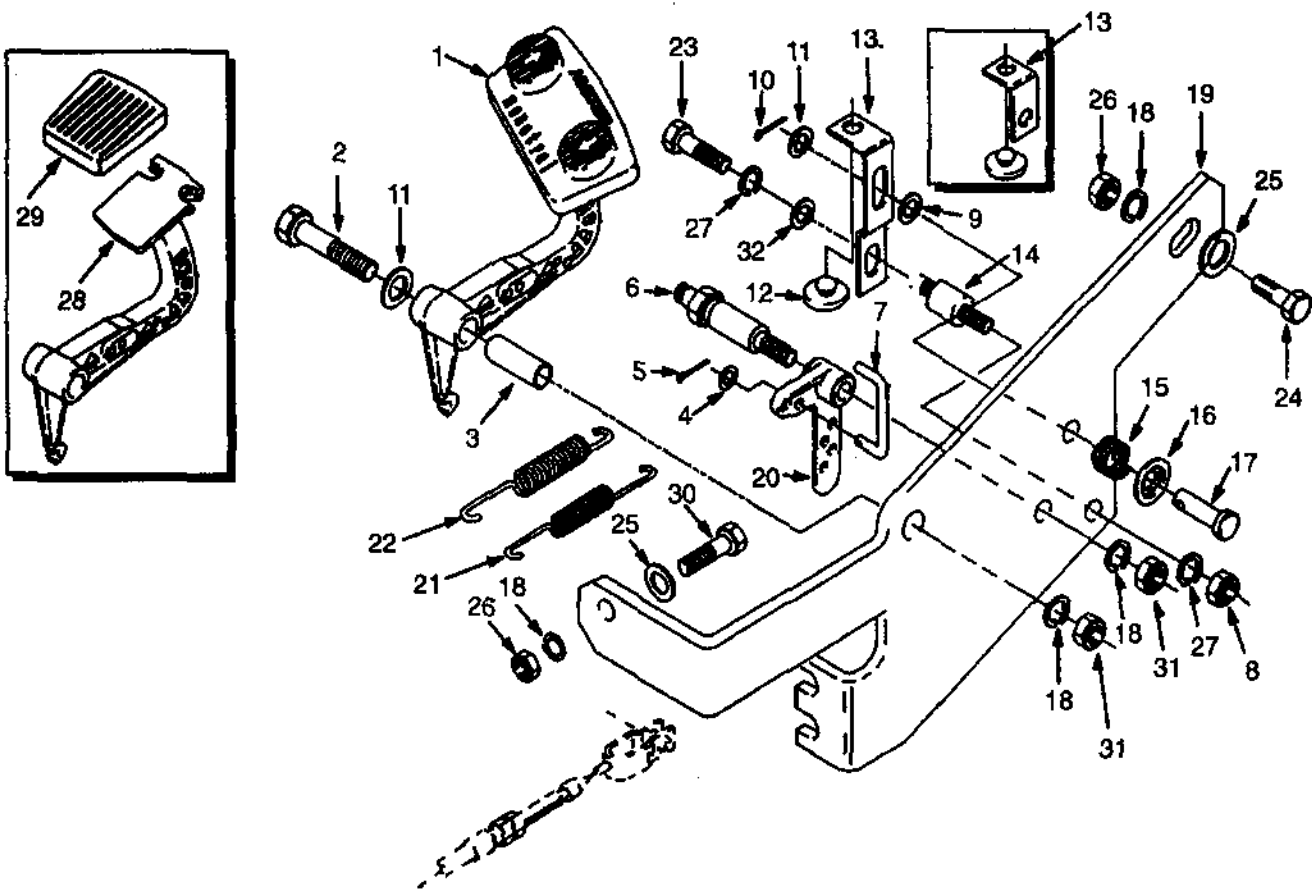
THROTTLE LINKAGE

KEY:
 A: Petrol
 B: LPG
 C: Diesel

| REF | PART NO. | NAME OF PART | QTY | | |
|-----|----------|-------------------|-----|----|----|
| | | | A | B | C |
| 1 | 162836 | Rod End Pin | 1 | 1 | 1 |
| 2 | 15212 | Pin | 1 | 1 | 1 |
| 3 | 1339626 | Cable | 1 | .. | .. |
| 3 | 1356522 | Cable | .. | 1 | .. |
| 3 | 1458048 | Cable | .. | .. | 1 |
| 4 | 137852 | Strap Clamp | 1 | 1 | .. |
| 5 | 1458098 | Rod End | .. | 1 | .. |
| 5 | 133897 | Rod End | .. | .. | 1 |
| 6 | 15002 | Nut | .. | 1 | .. |

| REF | PART NO. | NAME OF PART | QTY | | |
|-----|----------|---------------------|-----|----|----|
| | | | A | B | C |
| 6 | 15024 | Nut | .. | .. | 1 |
| 7 | 221877 | Pin | .. | .. | 1 |
| 7 | 15200 | Pin | .. | 1 | .. |
| 8 | | Pedal Linkage | 1 | 1 | 1 |
| | | ☛ Figure 62 | | | |
| 9 | 309109 | Pin | .. | 1 | .. |
| 9 | 126 | Pin | .. | .. | 1 |
| 10 | 320155 | Washer | .. | 1 | .. |

PEDAL LINKAGE (Figure 62)



PEDAL LINKAGE

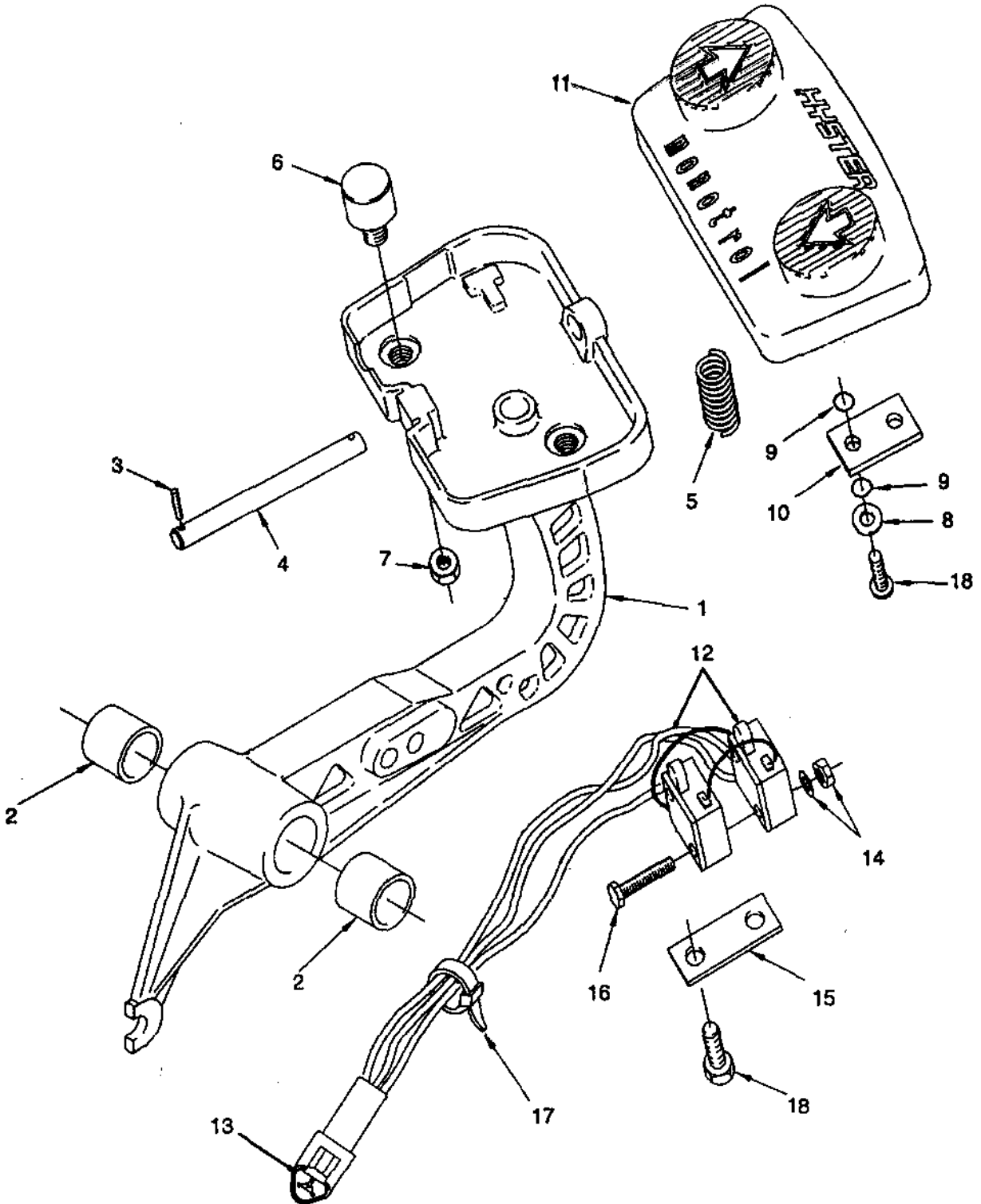
KEY:

A: Monotrol Pedal

B: Forward/Reverse Lever

| REF | PART NO. | NAME OF PART | QTY | | REF | PART NO. | NAME OF PART | QTY | |
|-----|----------|--|-----|----|-----|----------|---------------------|-----|----|
| | | | A | B | | | | A | B |
| | 1356479 | Pedal Bracket Assy (LPG 2,OL, Petrol/LPG 3,OL Engine) | 1 | | 12 | 353195 | Bumper | 1 | 1 |
| | 1356478 | Pedal Bracket Assy (LPG 2,OL, Petrol/LPG 3,OL Engine) | 1 | .. | 13 | 352950 | Bracket | 1 | .. |
| | 1343530 | Pedal Bracket Assy (Petrol 2,OL, Diesel 2,6L) | 1 | | 13 | 353159 | Bracket | 1 | |
| | 1343526 | Pedal Bracket Assy (Petrol 2,OL, Diesell 2,6L) | 1 | .. | 14 | 353453 | Mount | 1 | .. |
| 1 | 1352575 | Monotrol Pedal | 1 | .. | 15 | 353172 | Spring | 1 | .. |
| | | Figure 63 | | | 16 | 353230 | Cap | 1 | .. |
| 2 | 292523 | Hex Head Bolt | 1 | .. | 17 | 142 | Pin | 1 | .. |
| 2 | 292521 | Hex Head Bolt | 1 | | 18 | 292682 | Lockwasher | 4 | 4 |
| 3 | | 353141 Tube | 1 | .. | 19 | 1339717 | Bracket | 1 | 1 |
| 3 | 325708 | Tube | 1 | | 20 | 353164 | Crank | 1 | 1 |
| 4 | 320156 | Washer | 1 | 1 | 21 | 353142 | Spring | 1 | 1 |
| 5 | 15200 | Pin | 1 | 1 | 22 | 353143 | Spring | 1 | 1 |
| 6 | 352485 | Shaft | 1 | 1 | 23 | 287851 | Hex Head Bolt | 1 | .. |
| 7 | 1347159 | Rod | 1 | 1 | 23 | 287854 | Hex Head Bolt | 1 | |
| 8 | 239503 | Nut | 1 | .. | 24 | 136985 | Hex Head Bolt | 1 | 1 |
| 8 | 296128 | Nut | 1 | | 25 | 320159 | Washer | 1 | 1 |
| 9 | 320158 | Washer | 1 | .. | 26 | 136692 | Nut | 1 | 1 |
| 10 | 15212 | Pin | 1 | .. | 27 | 292682 | Lockwasher | 2 | |
| 11 | 320160 | Washer | 3 | 2 | 28 | 352499 | Pedal | 1 | |
| | | | | | 29 | 352885 | Pad | 1 | |
| | | | | | 30 | 287860 | Hex Head Bolt | 1 | 1 |
| | | | | | 31 | 136692 | Nut | 2 | 2 |
| | | | | | 32 | 292681 | Washer | 2 | .. |

MONOTROL PEDAL (Figure 63)



MONOTROL PEDAL

| <u>REF</u> | <u>PART NO.</u> | <u>NAME OF PART</u> | <u>QTY</u> | <u>REF</u> | <u>PART NO.</u> | <u>NAME OF PART</u> | <u>QTY</u> |
|------------|-----------------|---------------------|------------|------------|-----------------|---------------------|------------|
| | 1352575 | Pedal | 1 | 11 | 353175 | Monotrol Pad | 1 |
| 1 | 353397 | Pedal | 1 | 12 | 1352090 | Switch Assy | 1 |
| 2 | 135685 | Bush | 2 | 12 | | Harness | 1 |
| 3 | 220932 | Screw | 2 | 13 | 1330410 | Connector | 1 |
| 3 | 360387 | Loctite | AR | 13 | 1330415 | Lock | 1 |
| 4 | 353154 | Pin | 1 | 13 | 1330435 | Terminal | 3 |
| 5 | 353168 | Spring | 1 | 14 | 53162 | Lockwasher | 2 |
| 6 | 353422 | Magnet | 2 | 14 | 16865 | Nut | 2 |
| 7 | 353432 | Nut | 2 | 15 | 353165 | Retainer | 1 |
| 8 | 353448 | Washer | 4 | 16 | 220434 | Screw | 2 |
| 9 | 57568 | O-ring | 8 | 17 | 114312 | Strap Clamp | 3 |
| 10 | 359207 | Plate | 2 | 18 | 352969 | Screw | 6 |