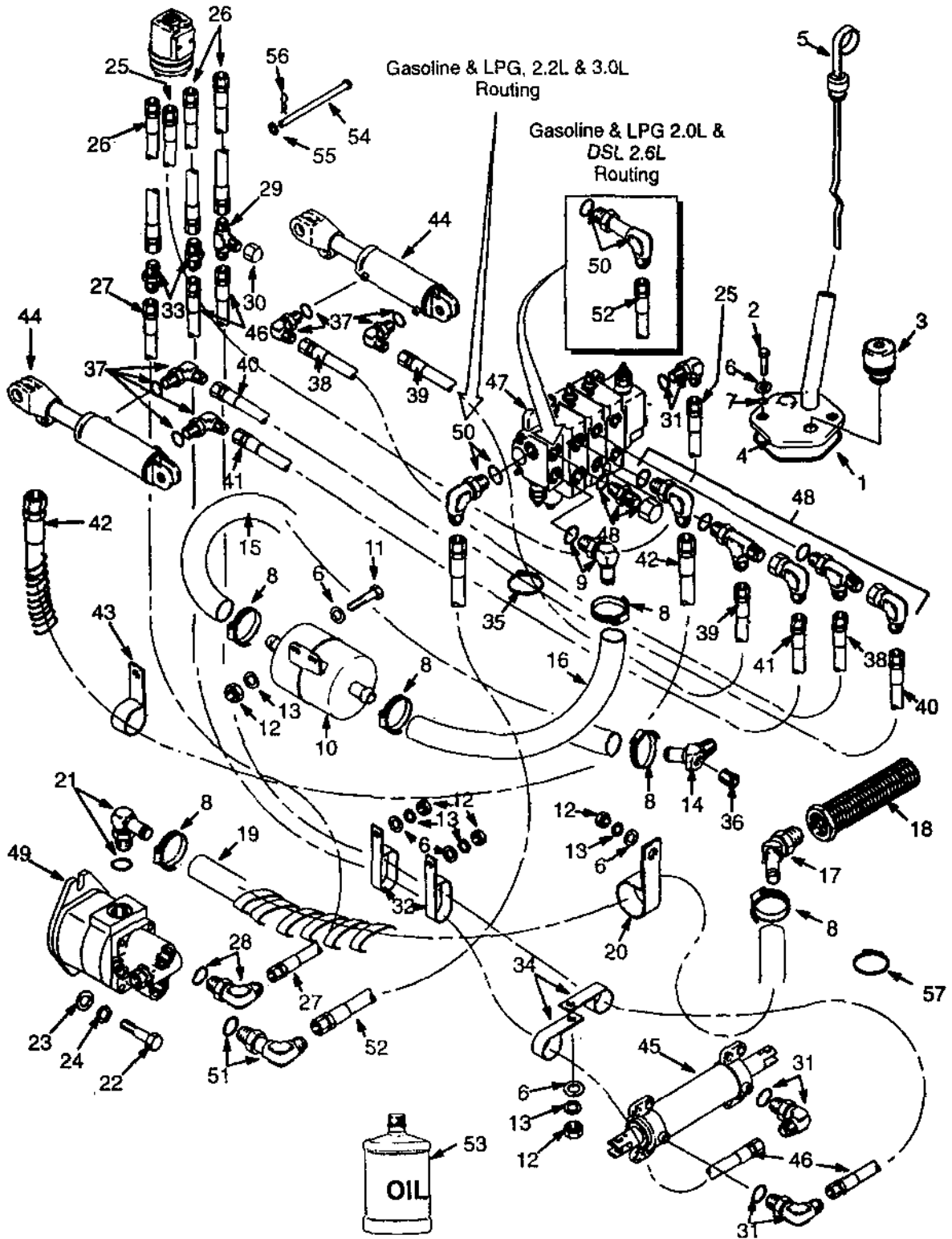


HYDRAULIC

CONTROL VALVE
THREE FUNCTION Page 264
HYDRAULIC PUMP
DOUBLE GEAR Page 254
HYDRAULIC PUMP
SINGLE GEAR Page 252
HYDRAULIC Page 250
TILT CYLINDER Page 258
VALVE ATTACHING PARTS
DIRECT ACTING LEVERS Page 262
VALVE ATTACHING PARTS
PUSH AWAY LEVERS Page 260
VALVE
FOUR FUNCTION Page 266

HYDRAULIC

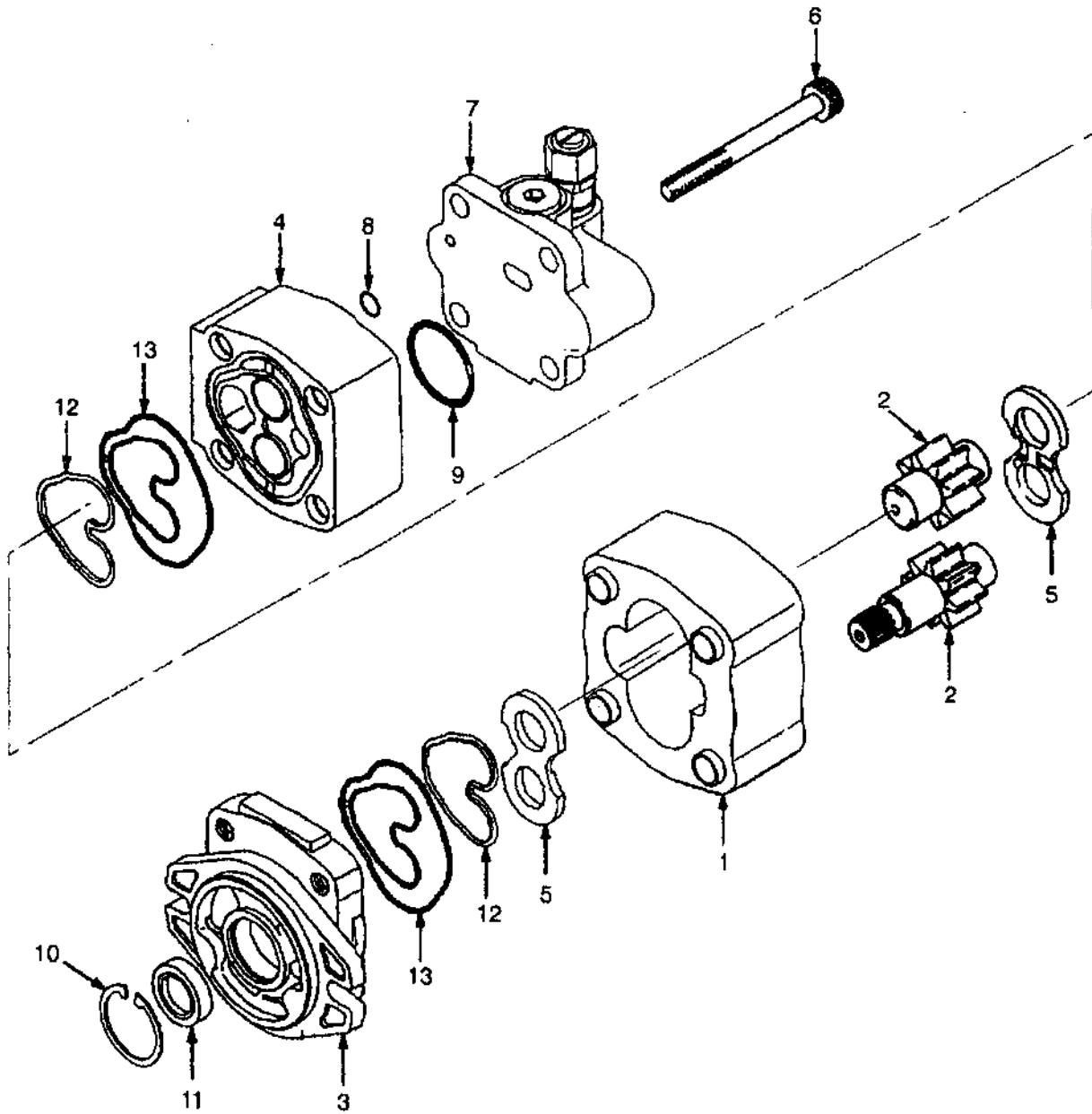
(Figure 111)



HYDRAULIC

REF	PART NO.	NAME OF PART	QTY	REF	PART NO.	NAME OF PART	QTY
1	1343449	Seal	1	38	1347027	Hose	1
2	329067	Screw	2	39	1347028	Hose	1
3	1356393	Breather	1	40	1347029	Hose	1
4	1339700	Cover	1	41	1347030	Hose	1
5	1339647	Dipstick	1	42	1351077	Hose	1
6	320157	Washer	12	43	176452	Clamp	1
7	353000	O-Ring	2	44	Tilt Cylinder	2
8	127045	Clamp	6			☞ Figure 114	
9	1343452	Fitting	1	45	Steering Cylinder	1
10	1337159	Filter	1			☞ Figure 105	
11	136749	Hex Head Bolt	2	46	1382316	Hose	2
12	239503	Nut	8	47	ontrol Valve	1
13	292681	Lockwasher	8			☞ Figure 117 , Figure 118	
14	1343560	Fitting	1	48	Fittings	
15	1367431	Hose	1			☞ Figure 115, Figure 116	
16	878574	Hose	1	49	Hydraulic Pump	1
17	222477	Fitting	1			☞ Figure 112, Figure 113	
18	1328680	Screen	1	50 ^a	1352157	Fitting	1
19	1339791	Suction Hose	1	50 ^b	16560	Fitting	1
20	335047	Clamp	1	50 ^b	16485	O-Ring	1
21	1350273	Fitting	1	51 ^c	222413	Fitting	1
22	1356103	Screw	2	51	16485	O-Ring	1
23	292682	Lockwasher	2	51 ^d	16560	Fitting	1
24	320159	Washer	2	51	16485	O-Ring	1
25	1453620	Hose	1	52	1361584	Hose (Diesel)	1
26	69238	Hose	3	52	1351140	Hose (Petrol And LPG)	1
27	168389	Hose	1	53	3021203	Hydraulic Oil (209 L)	AR
28	110174	Fitting	1	54	1352616	Pin	1
29	1347212	Fitting	1	55	320156	Washer	1
30	16923	Fitting	1	56	18824	Pin	1
31	16558	Fitting	3			^a Use With Petrol And LPG 2,OL Engine And Perkins 2,6L	
32	110322	Clamp	2			^b Use With Petrol And LPG 2,2L Engine And 3,OL Engine	
33	14691	Fitting	2			^c Use With all Petrol And LPG 3,OL Engine Single Gear Pump	
34	101625	Clamp	2			^d Use With All Petrol And LPG Double Gear Pump And All Diesel	
35	137852	Clamp	3				
36	15347	Adapter	1				
37	16556	Fitting	4				
37	16481	O-Ring	4				

HYDRAULIC PUMP SINGLE GEAR (Figure 112)



**HYDRAULIC PUMP
SINGLE GEAR**

KEY:

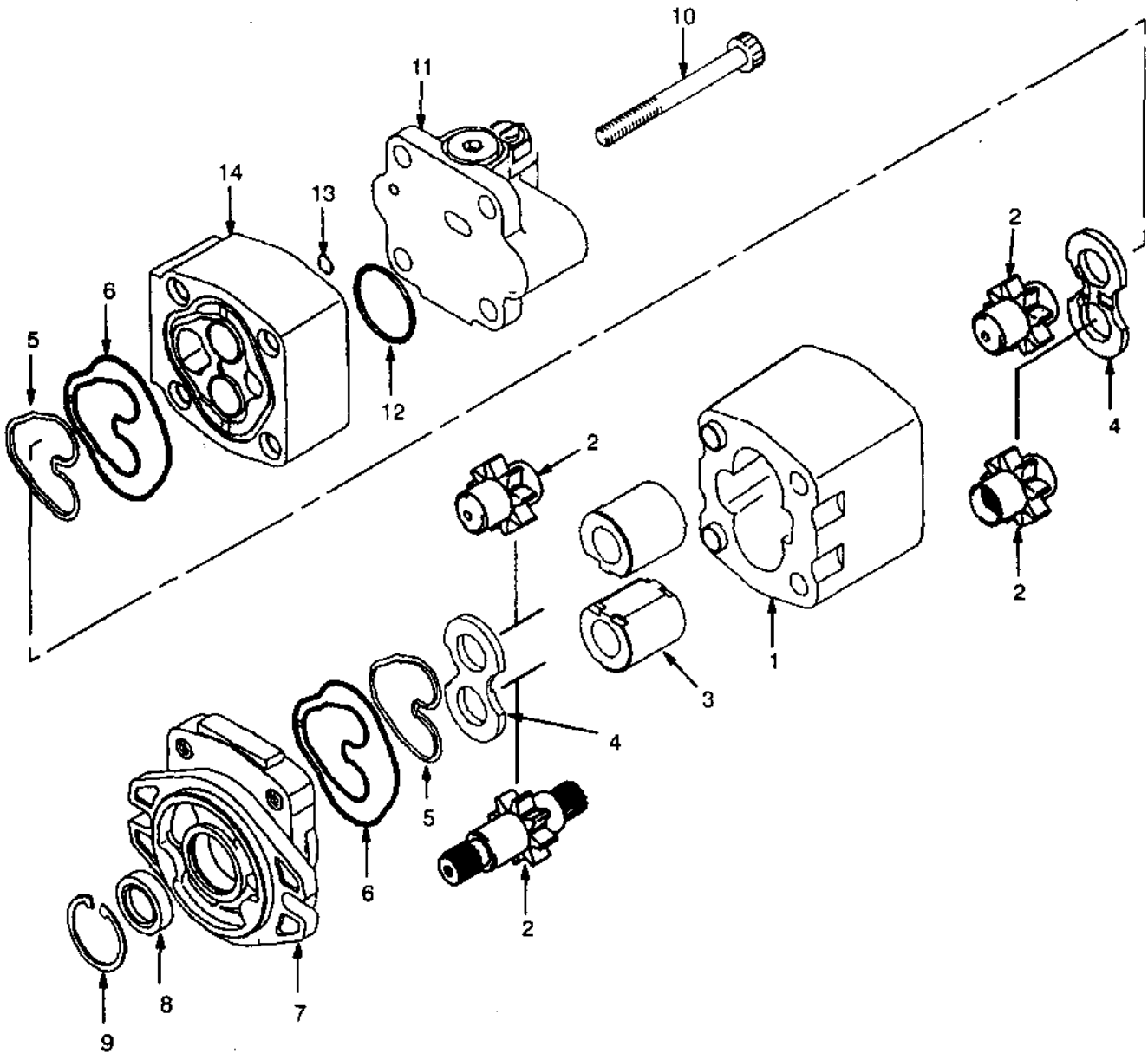
A: Petrol And LPG 2,OL, Petrol 3,OL, Diesel 2,6L

B: LPG 3,OL Engine

REF	PART NO.	NAME OF PART	QTY		REF	PART NO.	NAME OF PART	QTY	
			A	B				A	B
	1455404	Hydraulic Pump	1	..	8 0-Ring	1	1	
	1455405	Hydraulic Pump	1	..	9 0-Ring	1	1	
1	Sear Plate	1	1	10 Circlip.....	1	1	
2	1377266	Gear Set	1	..	11 Oil Seal	1	1	
2	1377264	Gear Plate	1	..	12 Back-Up Ring	2	2	
3	1458802	Flange	1	1	13 Seal Plate	2	2	
4	1458803	Cover	1	1					
5	1458804	Pressure Plate	2	2	*	Included in Seal Kit 1352463			
6	1458813	Screw	4	..					
6	1458805	Screw	1	..					
7	1377255	Flow Valve	1	1					

HYDRAULIC PUMP DOUBLE GEAR

(Figure 113)



**HYDRAULIC PUMP
 DOUBLE GEAR**

KEY:

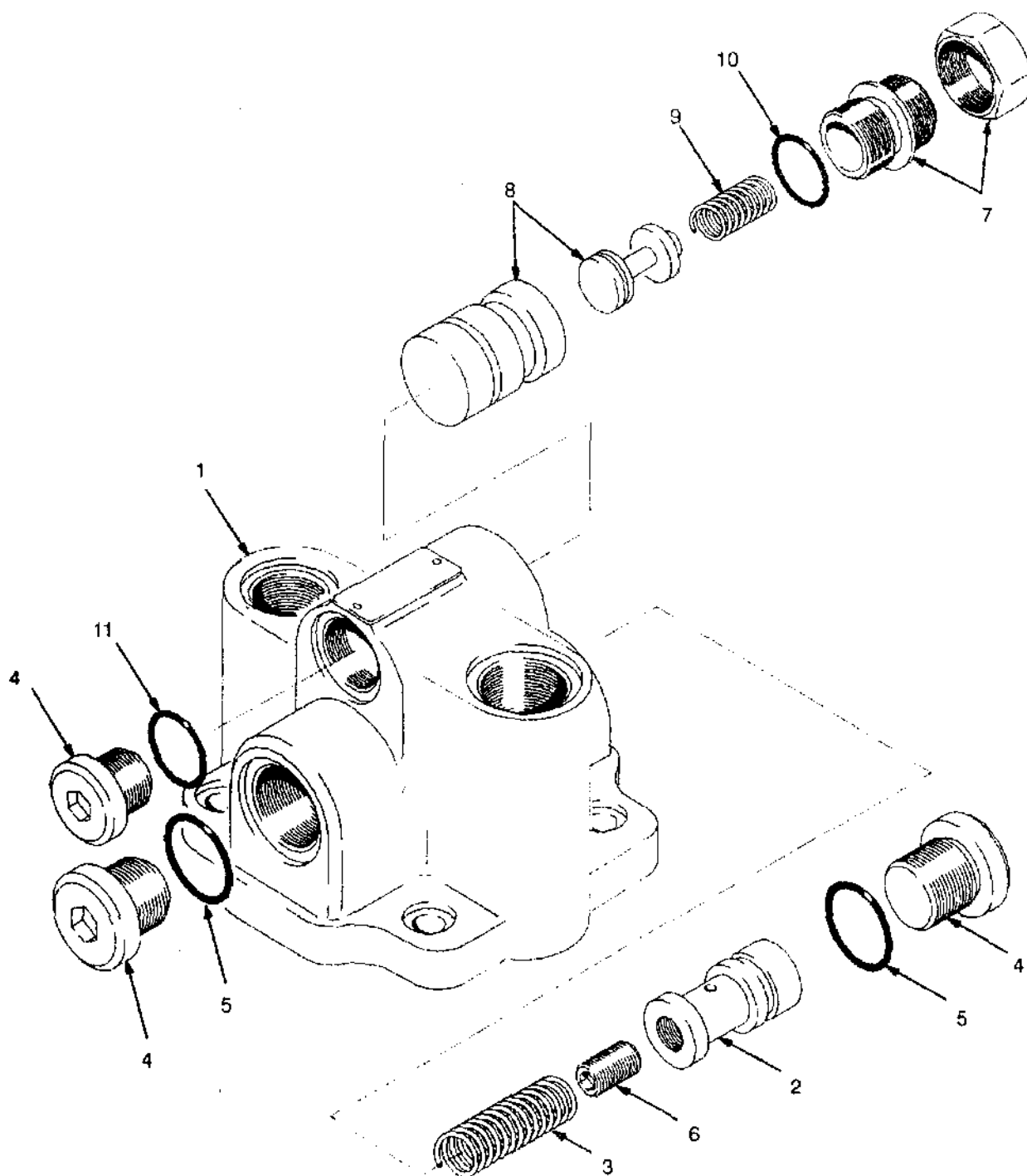
A: Petrol And LPG 2,01- And 2,2L, Petrol 3,OL, Diesel 2,6L
 B: LPG 3,OL Engine

REF	PART NO.	NAME OF PART	QTY		REF	PART NO.	NAME OF PART	QTY	
			A	B				A	B
	1456472	Hydraulic Pump	1	..	8 ^a	Oil Seal	1	1
	1456473	Hydraulic Pump	1	..	9 ^a	Circlip	1	1
1	Gear Plate	1	1	10	1458818	Screw	4	..
2	1458814	GearSel	1	..	10	1458811	Screw	4	4
2	1458806	Sear Set	1	..	11	1377255	Flow Valve	1	1
3	Bushing	2	2	12 ^a	O-Ring	1	1
4	1458804	Pressure Plate	2	2	13 ^a	O-Ring	1	1
5 ^a	Back-Up Ring	?	2	14	1458803	Cover	1	1
6 ^a	Seal	2	2					
7	1458810	Flange	1	1					

^a Included in Seal Kit 1352463

FLOW VALVE

(Figure 114)



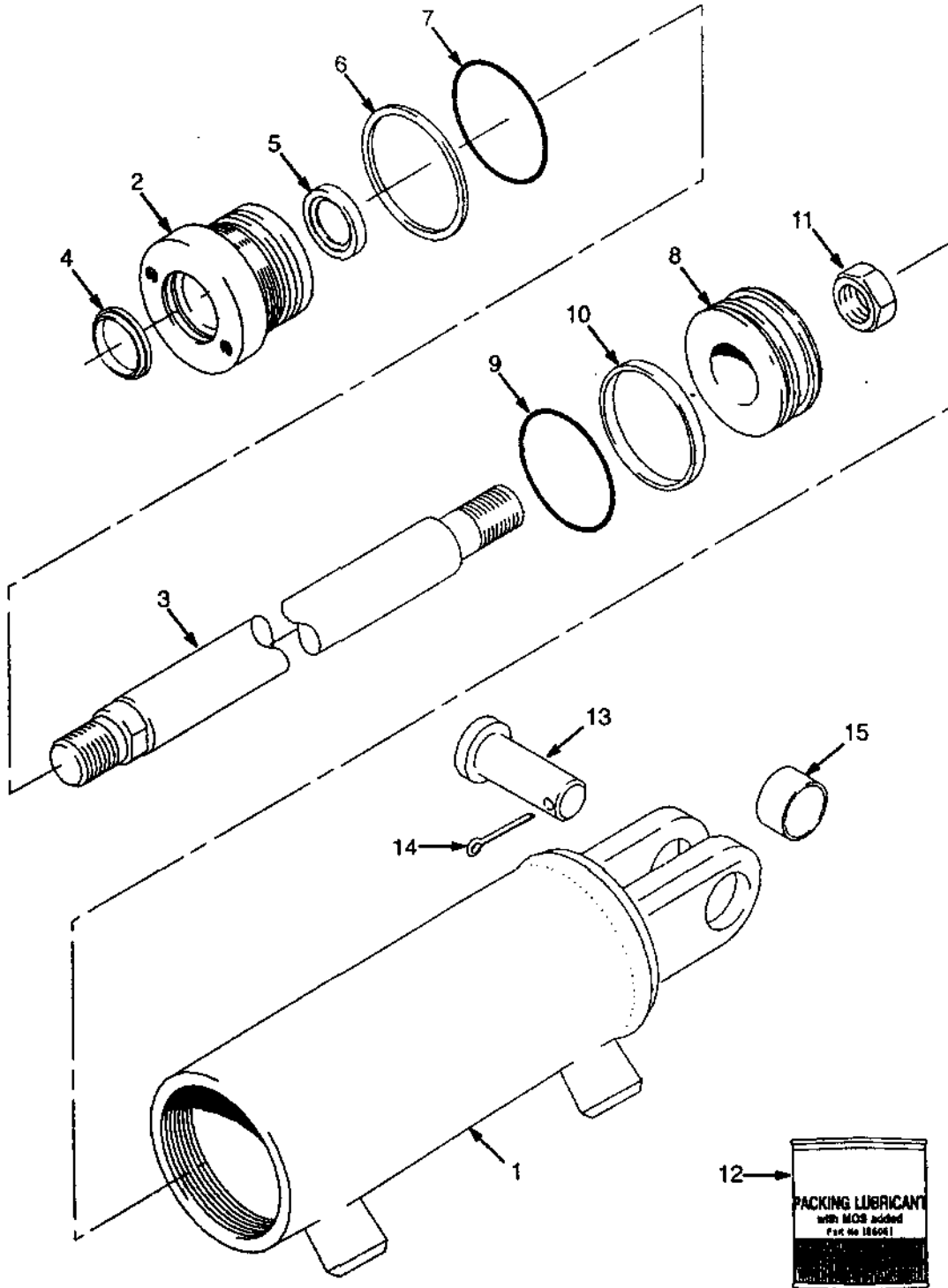
FLOW VALVE

<u>REF</u>	<u>PART NO.</u>	<u>NAME OF PART</u>	<u>QTY</u>	<u>REF</u>	<u>PART NO.</u>	<u>NAME OF PART</u>	<u>QTY</u>
	1377255	Valve	1	8	Housing	1
1	Body	1	8	Poppet	1
2	Plunger	1	9	1377257	Spring	1
3	321797	Spring	1	10 ^a	1377259	O-Ring	1
4	321792	Plug	3	11 ^a	1377260	O-Ring	1
5 ^a	16465	O-Ring	2				
6	1328822	Plug	1				
7	1377256	Adjuster Kit	1				
8	1377261	Kit-B	1				

^a Included in Seal Kit 1377258

TILT CYLINDER

(Figure 115)



TILT CYLINDER

REF	PART NO.	NAME OF PART	QTY	REF	PART NO.	NAME OF PART	QTY
	1338742	Tilt Cylinder	1	9 ^a	59583	O-Ring	1
1	1338743	Shell	1	10 ^a	293922	Seal Ring	1
2	1338744	Gland	1	11	2302899	Nut	1
3	1338740	Piston Rod	1	12	186061	Packing Lubricant	AR
4 ^a	1338739	Wiper Ring	1	13	1345354	Rod End Pin	2
5 ^a	637151	Seal	1	14	15236	Pin	2
6 ^a	154375	Back-Up Ring	1	15	300982	Bush	2
7 ^a	46388	O-Ring	1		^a	Included In Seal Kit 1356746	
8	1338741	Piston	1				