

OPTIONAL

AUXILIARY FUNCTION TUBE KIT
 TWO-STAGE FFL AND THREE STAGE FFL Page 404

AUXILIARY TUBE EXTENSION KIT
 TWO-STAGE LFL Page 402

BACKUP ALARM Page 400

CAB SOUND LINERS Page 386

CAB
 EXTERNAL
 DOOR Page 376

CAB
 PVC Page 378

CHASSIS WIRE HARNESS
 REAR Page 394

DRIVE AND REAR LIGHTS Page 374

ELECTRICAL SYSTEM
 CAB Page 380

FENDER Page 358

FIRE EXTINGUISHER Page 398

HARNESS
 CAB
 COWL Page 392

HARNESS
 CAB
 REAR Page 390

HARNESS
 POWERTRAIN PROTECTIVE SYSTEM Page 408

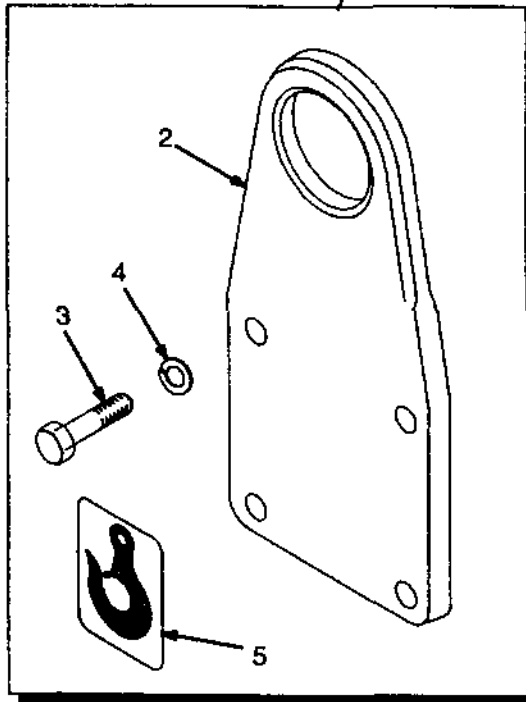
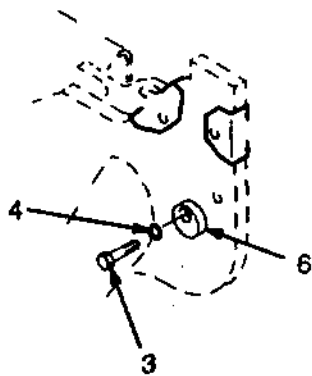
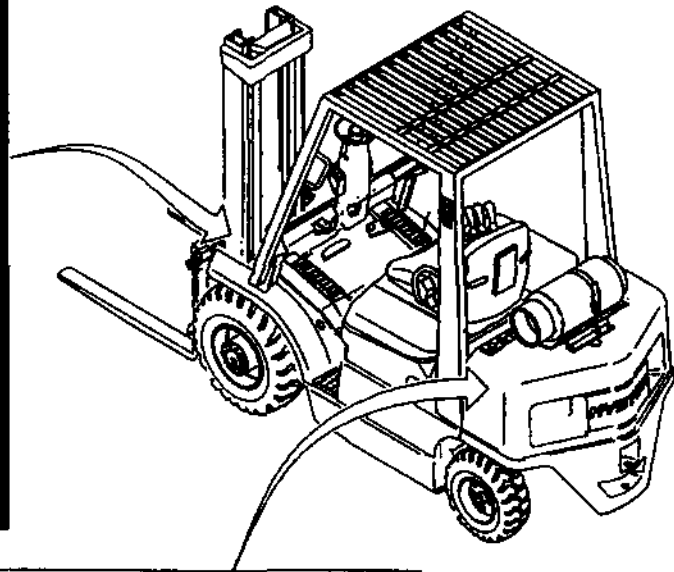
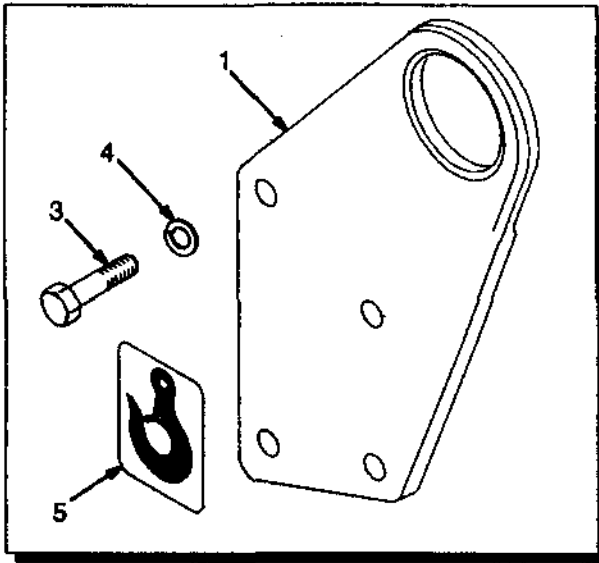
HARNESS
 WIPER Page 388

OPTIONAL (CONTINUED)

HEATER	
CAB	Page 384
LIFTING EYE	Page 356
LOAD BACKREST EXTENSION	
48 IN. (1220 MM)	Page 364
MIRROR	Page 396
OPTIONAL EQUIPMENT	
CAB	Page 382
POWERTRAIN PROTECTIVE SYSTEM	Page 406
SIDESHIFT CARRIAGE	Page 360
SIDESHIFT CYLINDER	Page 362
STROBE LIGHT	Page 372
TYRE AND WHEEL	
DRIVE WHEEL	Page 366
TYRE AND WHEEL	
STEER WHEEL	Page 370

LIFTING EYE

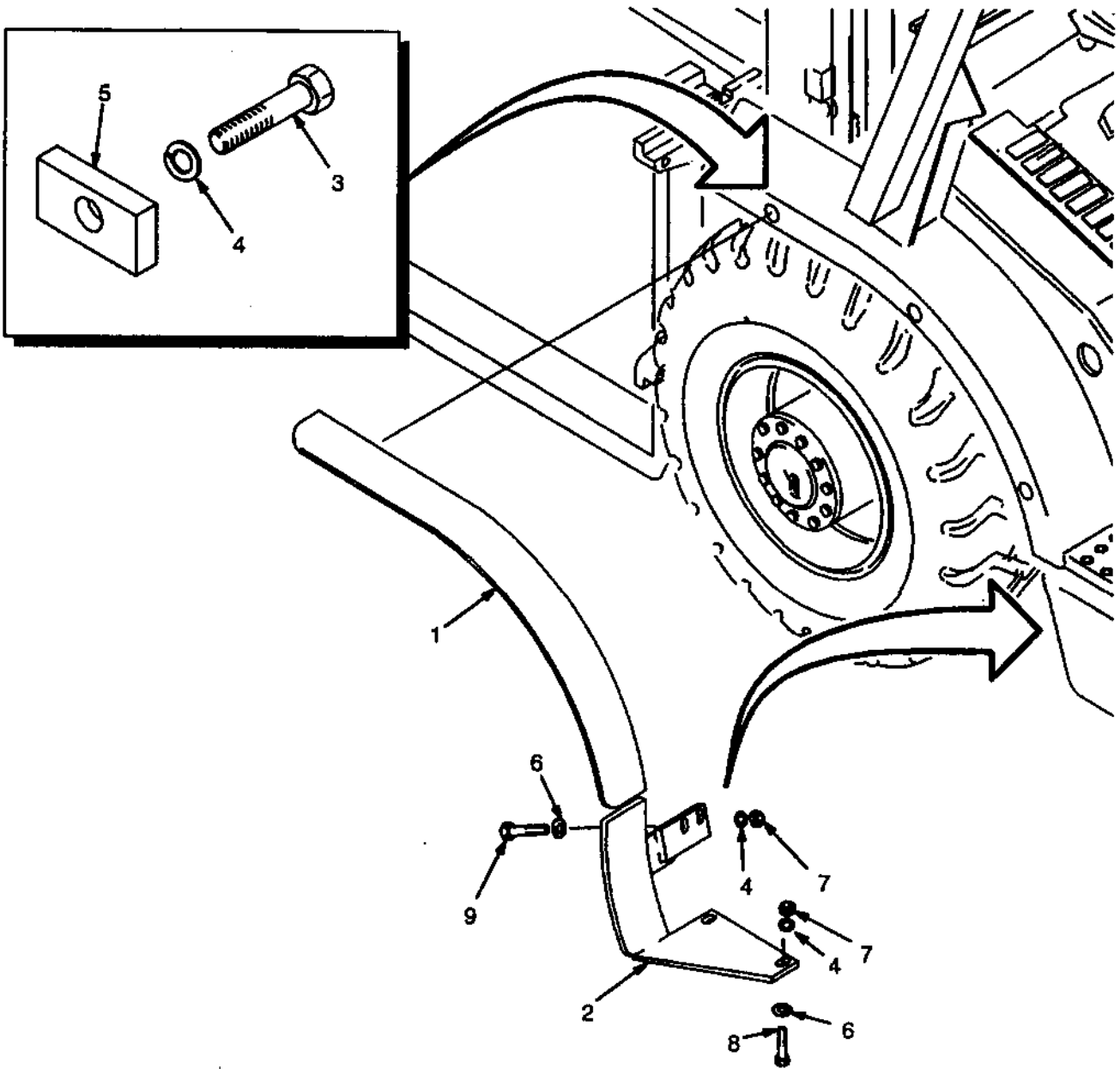
(Figure 158)



LIFTING EYE

<u>REF</u>	<u>PART NO.</u>	<u>NAME OF PART</u>	<u>QTY</u>	<u>REF</u>	<u>PART NO.</u>	<u>NAME OF PART</u>	<u>QTY</u>
1	1356400	Plate	4	4	292683	Lockwasher	18
2	1356401	Plate	8	5	316448	Label-Lifting Eye	4
3	293647	Hex Head Bolt.....	18	6	1369709	Cam	2

FENDER (Figure 159)



FENDER

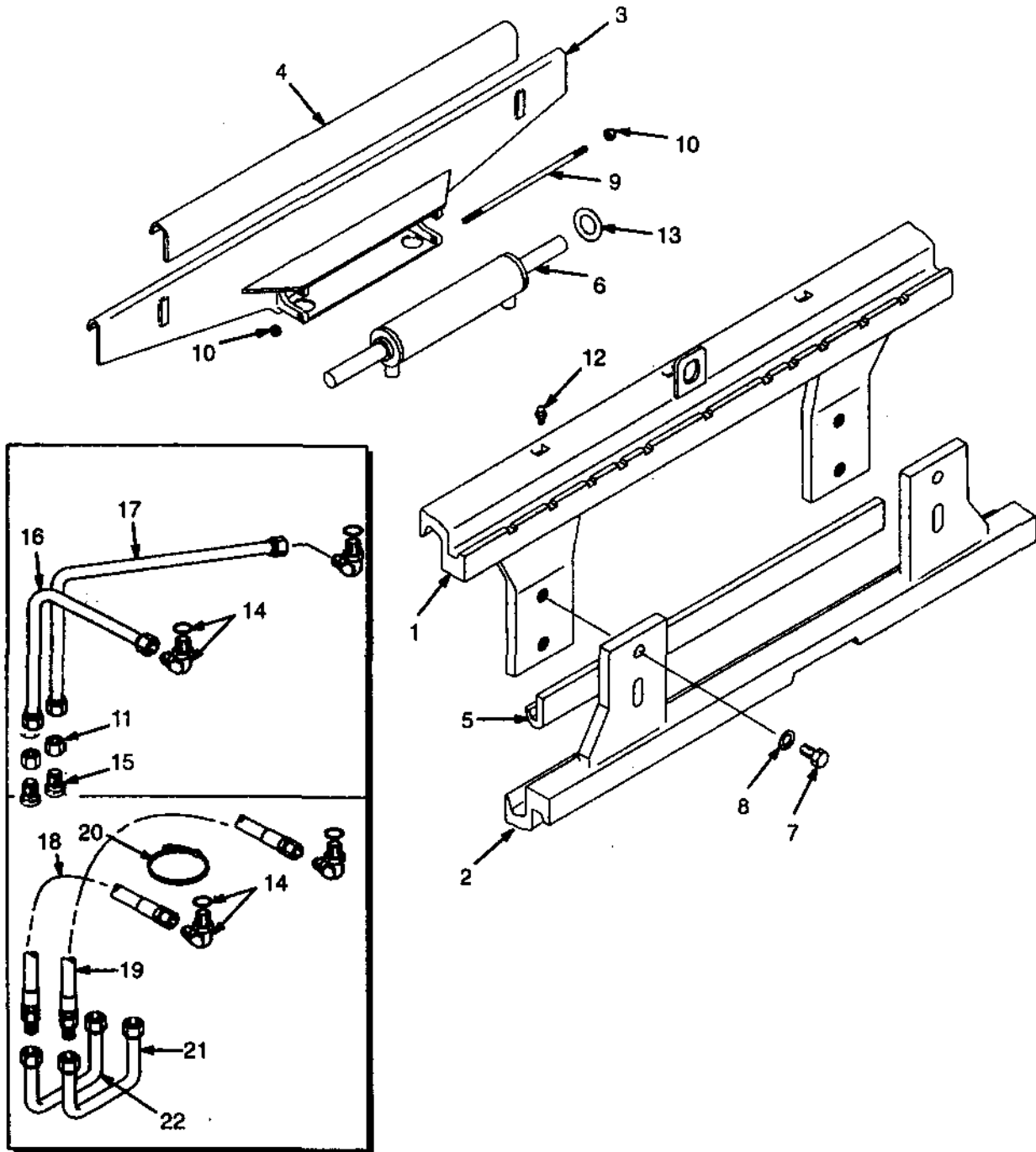
KEY:

A: Wide Wheel

B: Dual Wheel

REF	PART NO.	NAME OF PART	QTY		REF	PART NO.	NAME OF PART	QTY	
			A	B				A	B
1	1347142	Wide Fender (Upper LH)	1	..	3	292516	Hex Head Bolt	6	6
1	1347143	Wide Fender (Upper RH)	1	..	4	292682	Washer	14	10
1	1347196	Fender (UpperLH)	1		5	1347144	Plate	6	6
1	1347197	Fender (Upper RH)	1		6	320160	Washer	8	4
2	1347145	Wide Fender (Lower LH)	1	..	7	136692	Nut	8	4
2	1347146	Wide Fender (Lower RH)	1	..	8	287860	Hex Head Bolt	4	4
2	1347198	Fender (Lower LH)	1		9	292515	Hex Head Bolt	4	..
2	1347201	Fender (Lower RH)	1						

SIDESHIFT CARRIAGE (Figure 160)



SIDESHIFT CARRIAGE

KEY:

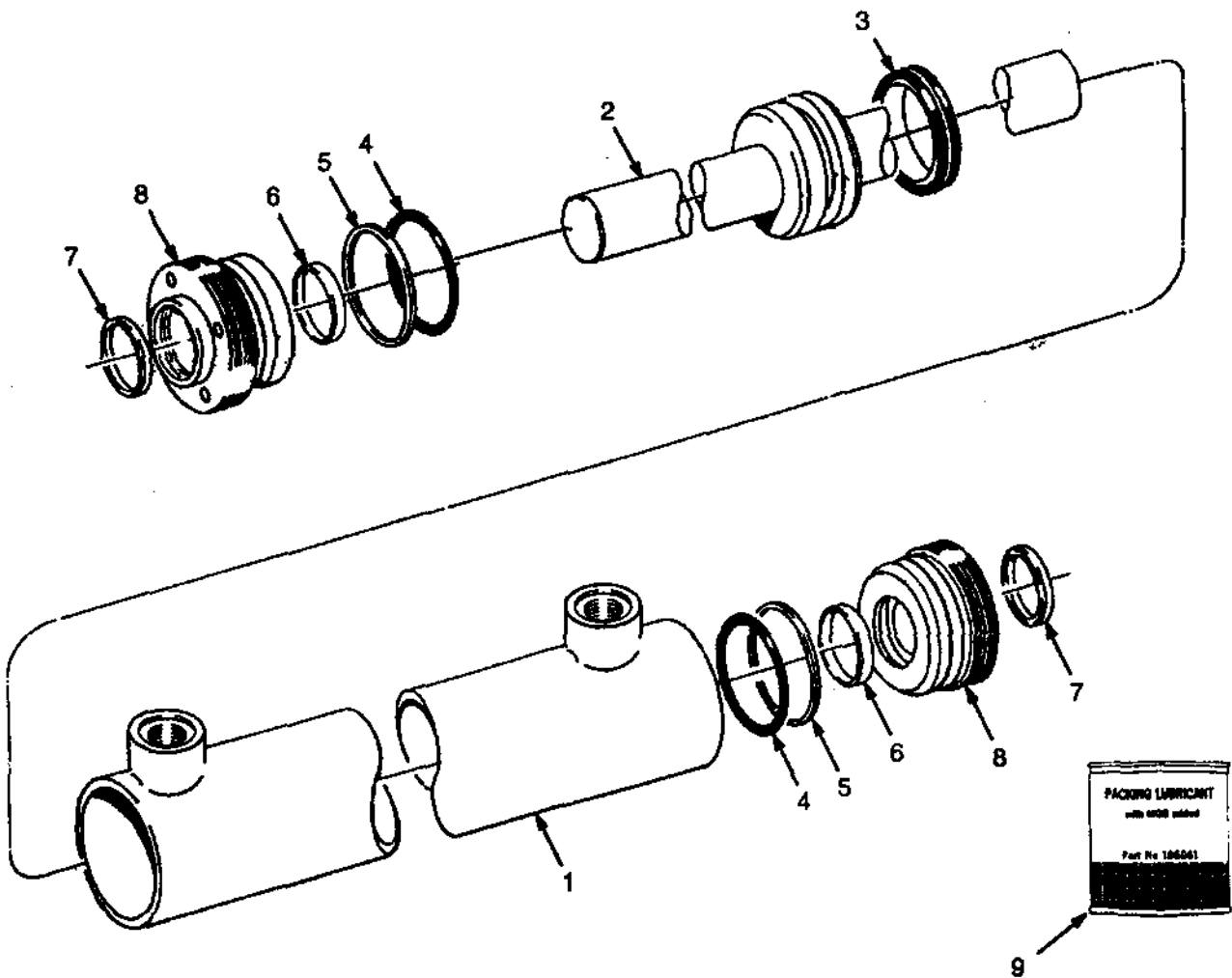
- A: H45-55XM 1067 mm (42 in.)
- B: H45-55XM 1220mm (48 in.)
- C: H60-65XM 1067mm (42 in.)

REF	PART NO.	NAME OF PART	QTY			REF	PART NO.	NAME OF PART	QTY		
			A	B	C				A	B	C
	1356918	Sideshift Carriage	1	9	* 1358809	Rod	2	2	2
	1376340	Sideshift Carriage	1	10	313828	Nut	2	2	2
	1356882	Sideshift Carriage	1	10	* 313828	Nut	4	4	4
1	1355523	Apron (Top)	1	11	17319	Fitting	2	..	2
1	1376341	Apron (Top)	1	12	16041	Lube Fitting	3	3	3
1	1355547	Apron (Top)	1	13	1358821	Shim	AR	AR	AR
2	1378055	Apron (Bottom)	1	14	239784	Fitting	2	2	2
2	1378057	Apron (Bottom)	1	14	16481	O-Ring	1	1	1
2	1378072	Apron (Bottom)	1	15	17218	Fitting	2	..	2
3	1356857	Cylinder Support	1	16	° 1358814	Tube	1	1	..
3	1376343	Cylinder Support	1	16	° 1358816	Tube	1
3	1356912	Cylinder Support	1	17	° 1358815	Tube	1	1	..
4	1356867	Bearing Strip (Top)	1	17	° 1358817	Tube	1
4	1376344	Bearing Strip (Top)	1	18	° 1390365	Hose	1	1	..
4	1356902	Bearing Strip (Top)	1	18	° 1390367	Hose	1
5	1378065	Bearing Strip (Bottom)	1	19	° 1390366	Hose	1	1	..
5	1356863	Bearing Strip (Bottom)	1	19	° 1390368	Hose	1
5	1378082	Bearing Strip (Bottom)	1	20	° 129563	Strap Clamp	1	1	1
6	Sideshift Cylinder	1	1	1	21	° 1381765	Tube	1	1	1
		☞ Figure 160				22	° 1381766	Tube	1	1	1
7	293704	Hex Head Bolt	4	4	..	23	° 16565	Fitting	1
7	1360229	Hex Head Bolt	4						
8	296431	Washer	4	4	..						
8	296435	Washer	4						
9	1371289	Hex Head Bolt	2	2	2						

- * Optional
- ° Two-Stage FFL And Three-Stage FFL
- ° Two-Stage LFL

SIDESHIFT CYLINDER

(Figure 161)



SIDESHIFT CYLINDER

KEY:

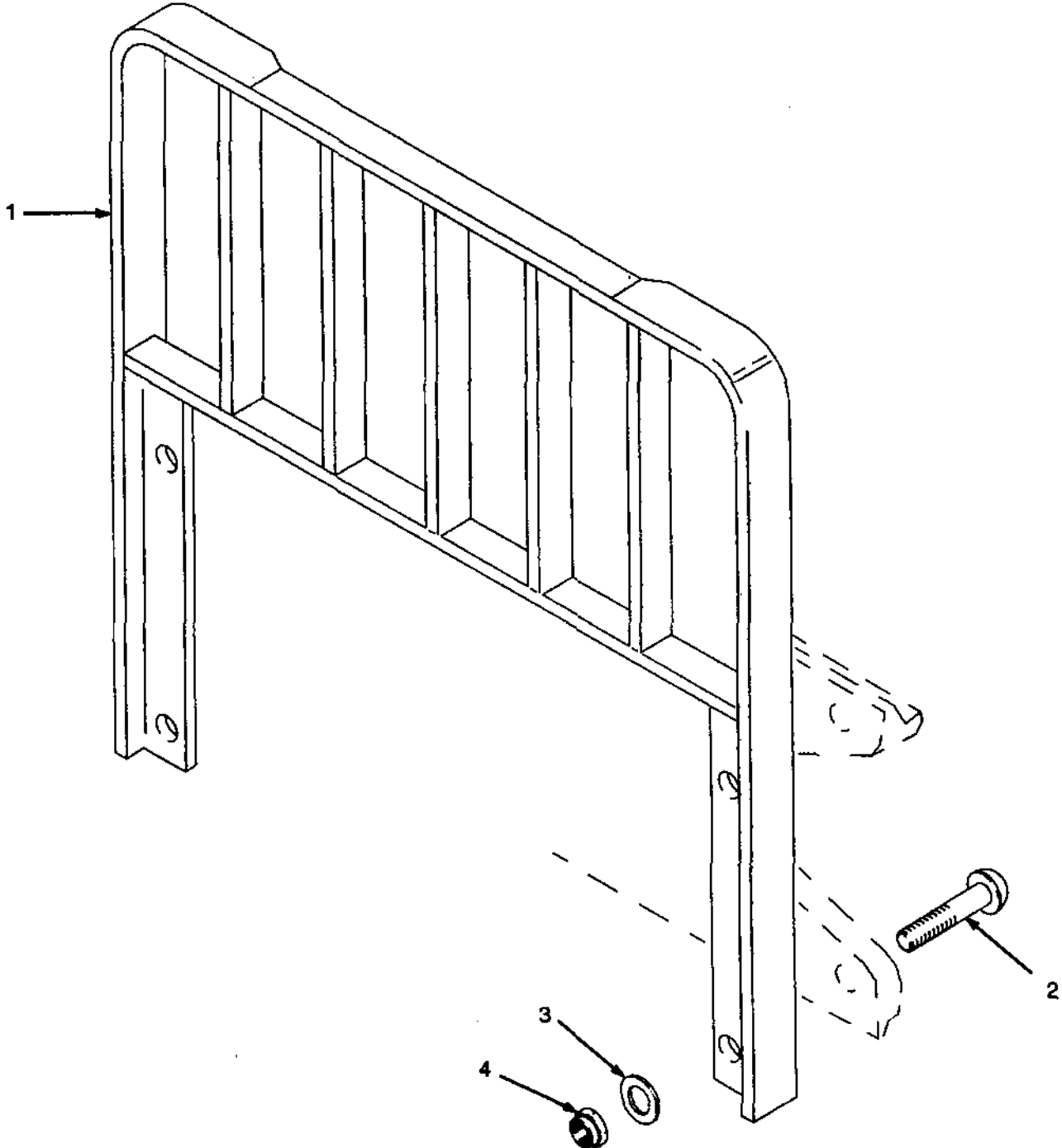
A: H45-55XM
 B: H60-65XM

REF	PART NO.	NAME OF PART	QTY		REF	PART NO.	NAME OF PART	QTY	
			A	B				A	B
	1360125	Sideshift Cylinder	1	..	5 ^b	615130	Back-UpRing	2	
	1360126	Sideshift Cylinder	1		6 ^{ab}	294643	Seal	2	2
1	2311471	Tube	1	..	7 ^{ab}	636851	Wiper Ring	2	2
1	2304345	Tube	1		8	2310768	Gland	2	..
2	2309719	Rod	1	..	8	2306283	Gland	2	
2	2303634	Rod	1		8	383789	Sealant	AR	AR
3 ^a	2306755	Piston Seal	1	..	9	186061	Packing Lube	AR	AR
3 ^b	1351184	Piston Seal	1						
4 ^a	55407	O-Ring	2	..					
4 ^b	59229	O-Ring	2						
5 ^a	153919	Back-Up Ring	2	..					

^a Included In Seal Kit 2311624
^b Included In Seal Kit 2307647

LOAD BACKREST EXTENSION 48 IN. (1220 MM)

(Figure 162)

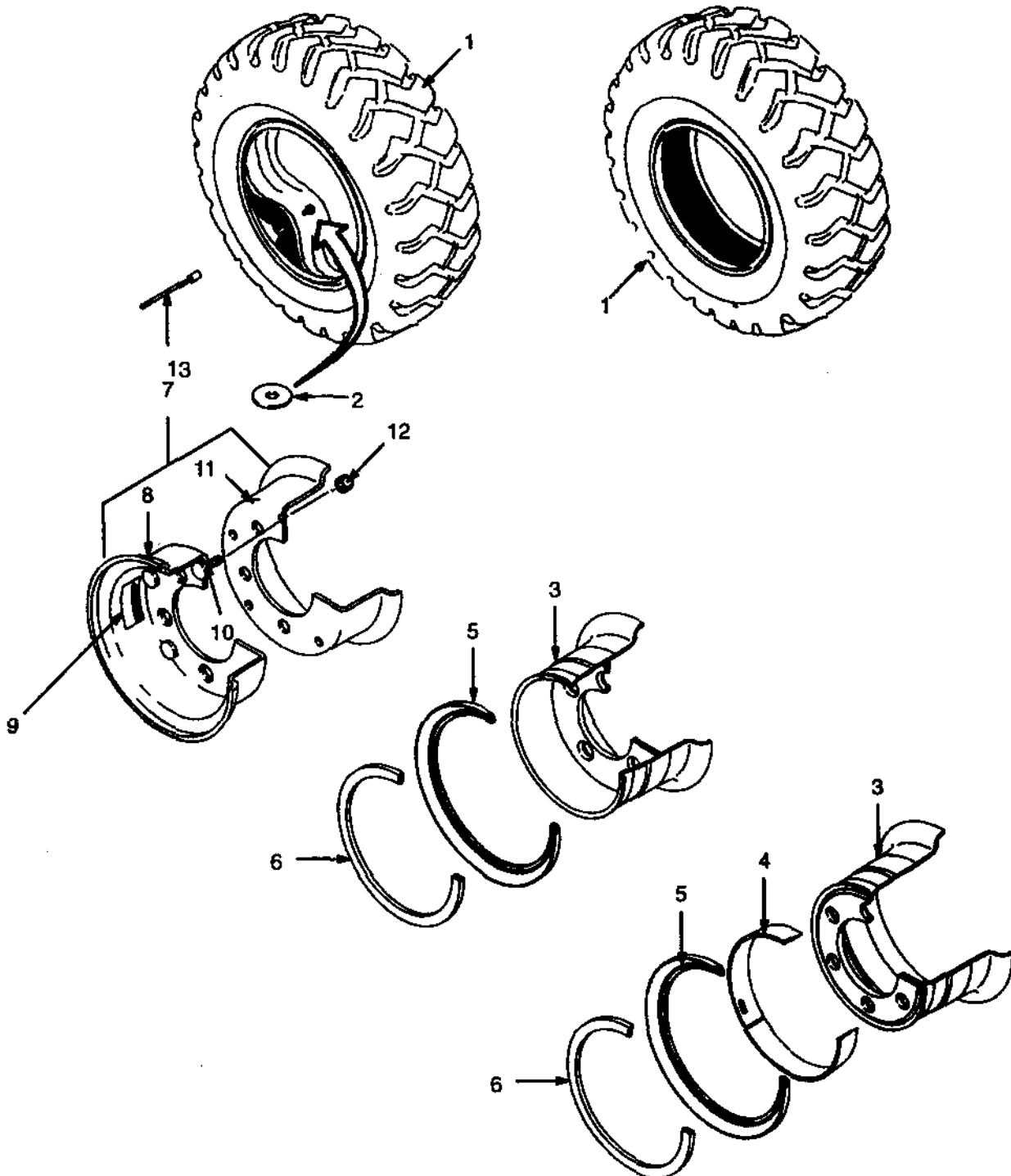


LOAD BACKREST EXTENSION
48 IN. (1220 MM)

<u>REF.</u>	<u>PART NO.</u>	<u>NAME OF PART</u>	<u>QTY</u>	<u>REF.</u>	<u>PART NO.</u>	<u>NAME OF PART</u>	<u>QTY</u>
1	1376338	Load Backrest Extension	1	4	300937	Nut	4
2	1343990	Hex Head Bolt	4			^a Optional	
3	221771	Washer	4				
3 ^a	296423	Washer	4				

TYRE AND WHEEL DRIVE WHEEL

(Figure 163)



**TYRE AND WHEEL
DRIVE WHEEL**

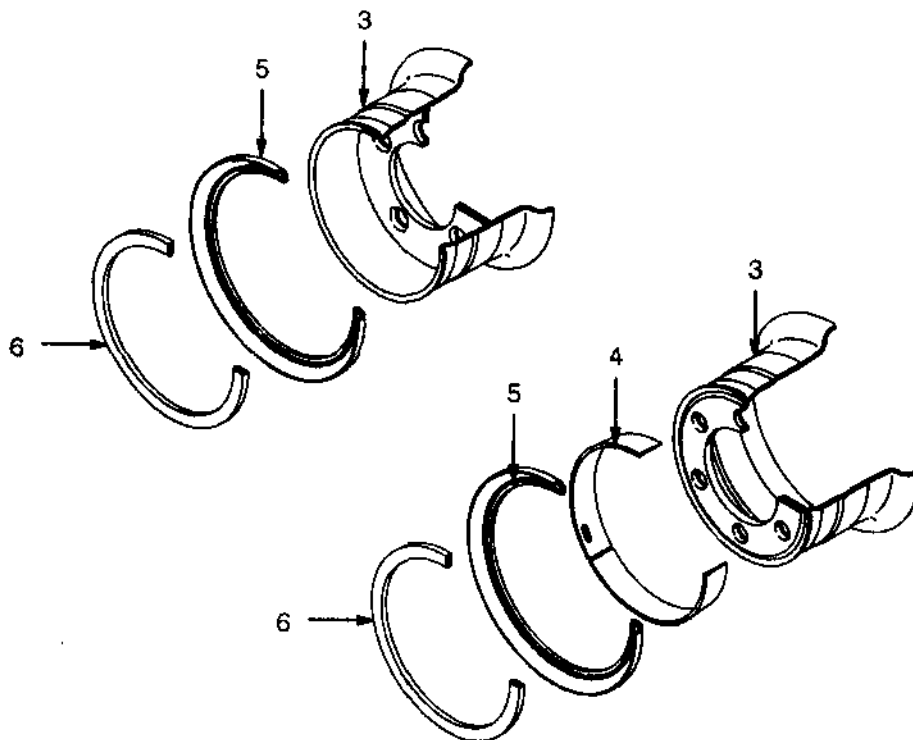
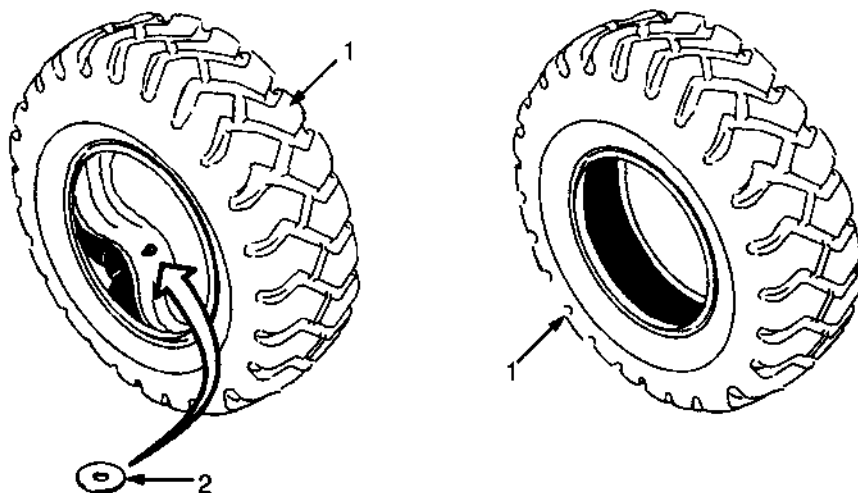
REF.	DESCRIPTION	H45-50XM	H45-50XM	QTY	H45-50XM	QTY
		Single	Wide		Dual	
		7.00x12	7.00x12		7.00x12	
1	Solid Soft Ride Tyre	336087	336087	2	174209	4
	Standard Hardness Solid Type	174209	174209	2		
1	Tyre And Tube-Bias					
	Tyre And Flap	130619	130619	2	130619	4
	Tyre And Flap	45736	45736	1	45736	1
	Tube	45737	45737	1	45737	1
1	Tyre And Tube-Radial	1337743	1337743	2	1337743	4
	Tyre And Flap	1358179	1358179	1	1358179	1
	Tyre And Flap	1358019	1358019	1	1358019	1
	Tube	1358190	1358190	1	1358190	1
2	Washer	^b 1376007	^b 1376007	2	^a 1376007	4
3	Wheel 5.00X12	^{ab} 1347190	^{ab} 329064	2	^{ab} 1347190	4
4	Shoulder Ringa	[*] 806556	[*] 8065561	1	[*] 806556	1
5	Side Ring	[*] 161890	[*] 161690	1	[*] 161889	1
6	Locknng	[*] 161889a	[*] 161889	1	[*] 161889	1
7	Whee (2 Piece)	377846	2	377846	4
8	Outer Wheel	377844	1	377844	1
9	Label-Warning	288638	2	288638	2
10	Bolt	377841	6	377841	6
11	Inner Wheel	377845	1	377845	1
12	Nut	53163	6	53163	6
13	Valve Extension	326477	1

^{*} 4 Piece Design (Required For Bergougnan Tyre)

^b Required On Radial Tyres

TYRE AND WHEEL DRIVE WHEEL

(Figure 163A)

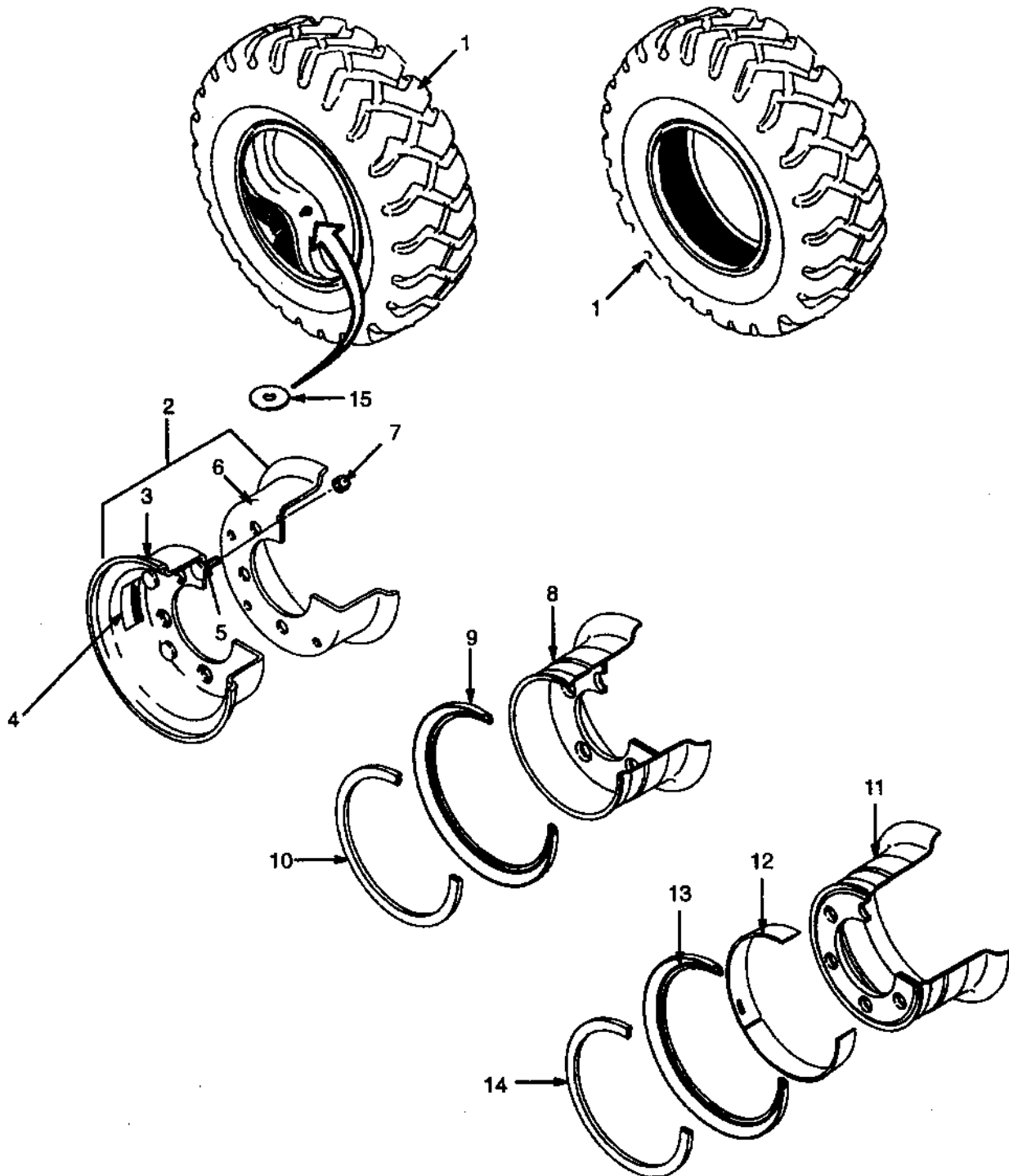


**TYRE AND WHEEL
DRIVE WHEEL**

REF.	DESCRIPTION	H45-50XM Single	H45-55XM Wide	QTY
		28X9-15	28X9-15	
1	Solid Soft Ride Tyre 336094 174211 Standard Hardness Solid Tyre	336094	336094	2
		174211	174211	2
1	Tyre And Tube-Bias Tyre And Flap Tyre And Flap Tube	145096	145096	2
		145097	145097	1
		145157	145157	1
1	Tyre and Tube-Radial Tyre And Flap Tyre And Flap Tube	1357300	1357300	2
		1358183	1358183	1
		1358016	1358016	1
		1358194	1358194	1
	Washer	^b 1376007	^b 1376007	2
3	Wheel 7.00X15	^c 1334815	^c 381004	2
		^a 1334813	^c 381002	2
4	Shoulder Ring	^a 806557	^a 806557	1
5	Side Ring	^c 322637	^c 322627	1
		^a 160653	^a 161890	
6	Lockring	^c 322638	^c 322638	1
		^a 980542	^a 980542	

- ^a 4 Piece Design (Required For Bergougnan Tyre)
- ^b Required On Radial Tyres
- ^c 3 Piece Design

TYRE AND WHEEL STEER WHEEL (Figure 164)



TYRE AND WHEEL STEER WHEEL

KEY:

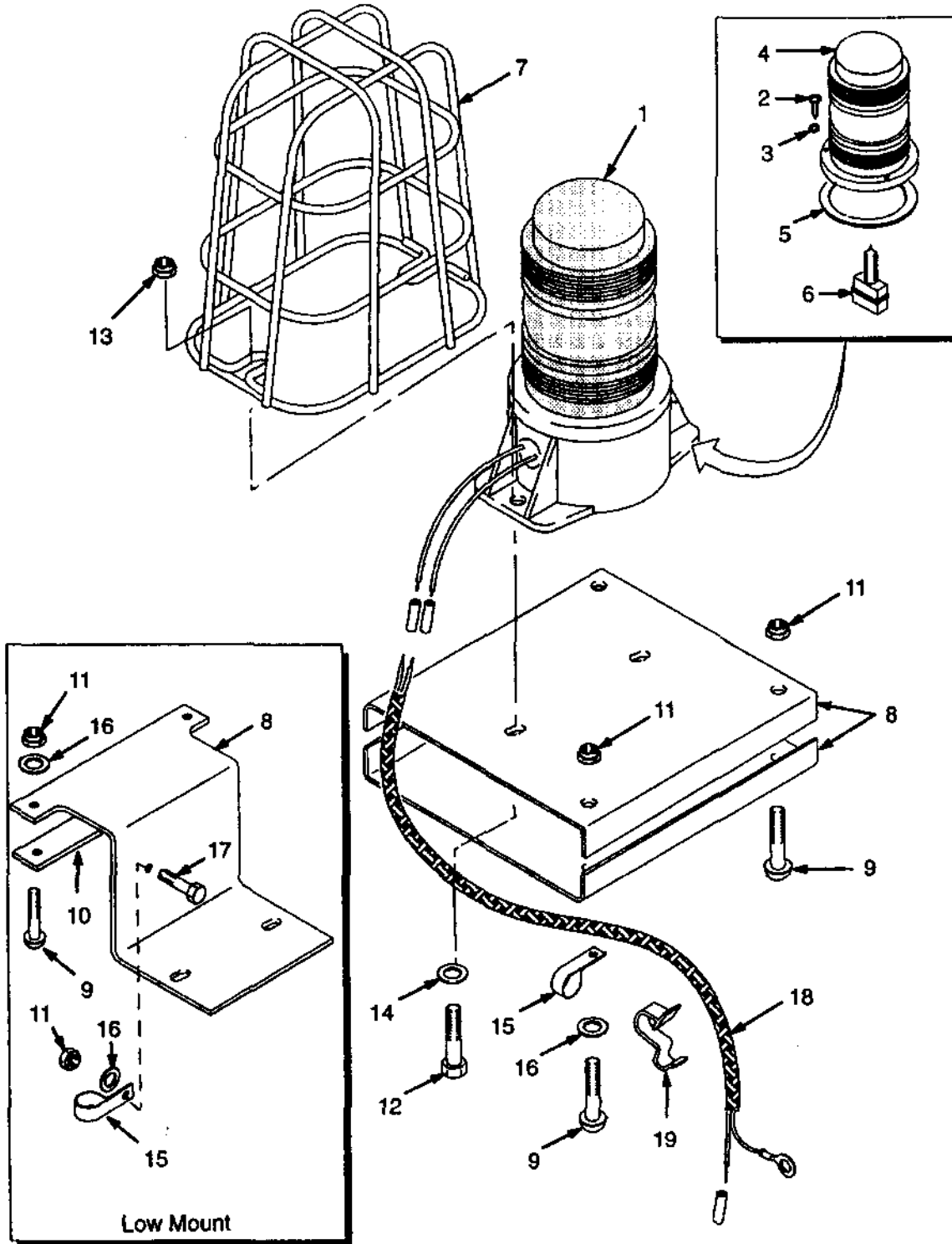
A: Solid

B: Standard/Premium

C: Radial

REF.	DESCRIPTON	H45-50XM 6.00X9	H45-55XM 6.50X10	QTY		
				A	B	C
1	Solid Tyre	195417	174208	2
1	Tyre And Tube-Standard					
	Tyre And Flap	306209	137138	..	2	..
	Tyre And Flap	29588	137139	..	1	..
	Tube	306200	135920	..	1	..
1	Tyre And Tube-Premium					
	Tyre And Flap	1367440	1367441	..	2	..
	Tyre And Flap	1364444	1367445	..	1	..
	Tyre And Flap	45069	135921	..	1	..
	Tube	306200	135920	..	1	..
1	Tyre And Tube-Radial					
	Tyre And Flap	135302	1337746	2
	Tyre And Flap	306209	1358178	1
	Tyre And Flap	1358018	1358020	1
	Tube	1358018	1358189	1
2	Wheel (2 piece)	612220	236437	..	2	..
3	Outer Wheel	60948	135915	..	1	..
4	Label-Warning	288638	288636	..	2	..
5	Stud	377841	5	..
5	Stud	135917	..	10	..
6	Inner Wheel	291912	2191915	..	1	..
7	Nut	53163	5	..
7	Nut	231355	..	10	..
8	Wheel (3 Piece Design)	323599	2
9	Side Ring	323594	1	..	1
10	Lockring	323598	1	..	1
11	Wheel (4 Piece Design)	..	1360932	..	2	..
12	Shoulder Ring	806555	..	1	..
13	Side Ring	161895	..	1	..
14	Lockring	161894	..	1	..
11	Wheel (4 Piece Design)	359340	345879	2	..	2
12	Shoulder Ring	359341	806555	1	..	1
13	Side Ring	161885	161885	1	..	1
14	Lockring	161884	161884	1	..	1
15	Washer	..	1376007	1

STROBE LIGHT (Figure 165)



STROBE LIGHT

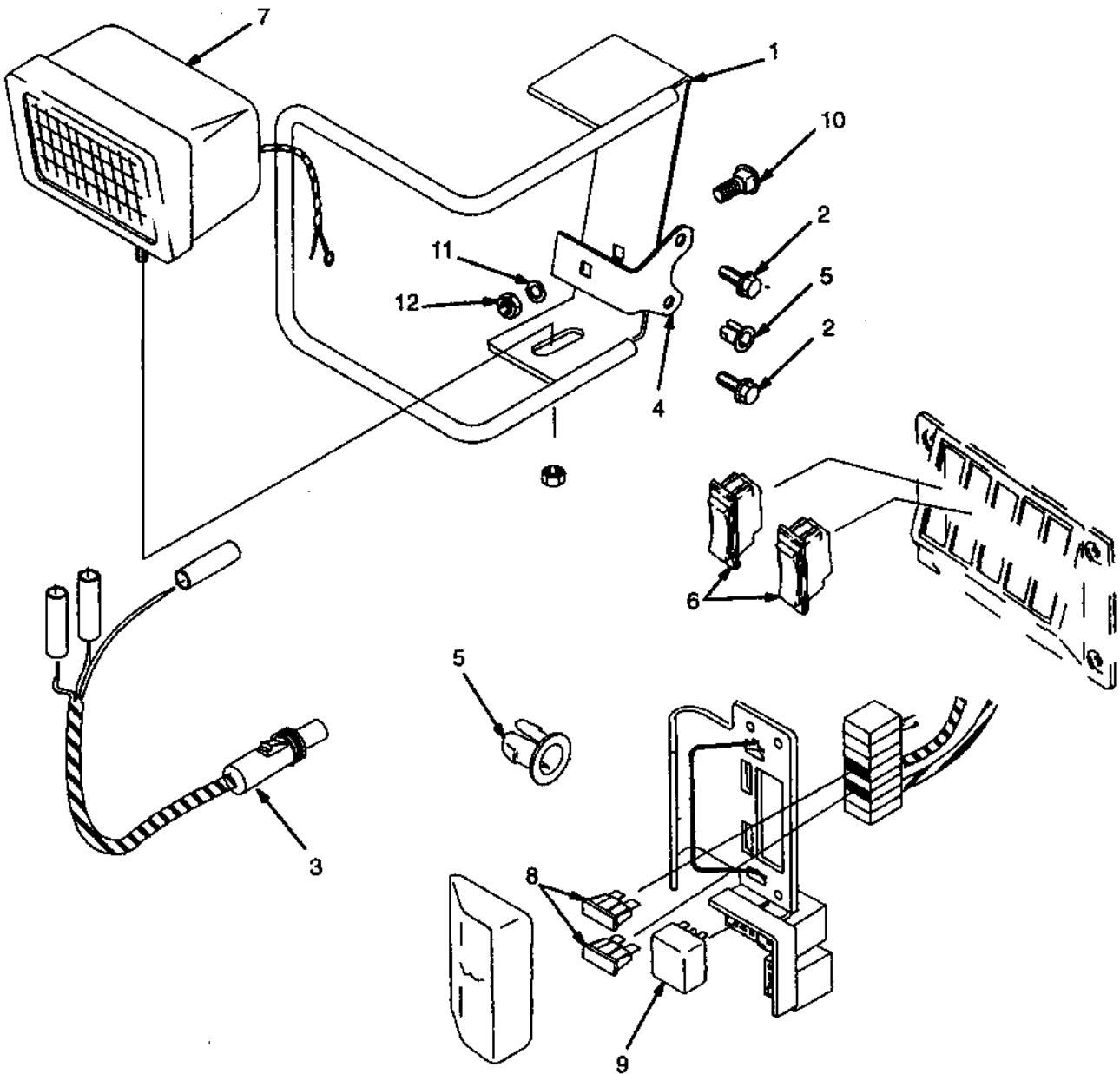
KEY:

A: Low Mount

B: High Mount

REF	PART NO.	NAME OF PART	QTY		REF	PART NO.	NAME OF PART	QTY	
			A	B				A	B
1	1382130	Strobe Light	1	1	11	313805	Nut	3	..
1*	1385522	Strobe Light	1	1	12	220498	Screw	2	2
2	227132	Screw	3	3	13	230882	Nut	2	2
3	15855	O-Ring	3	3	14	197067	Washer	2	2
4	1382131	Lens	1	1	15	164488	Clamp	1	1
5	39359	O-Ring	1	1	16	320156	Washer	3	1
6	1309775	Bulb	1	1	17	302047	Screw	1	..
7	1302024	Guard	1	1	18	1356543	Harness	1	1
8	1356541	Bracket	1	..	19	1301727	Clamp	4	4
8	1356342	Bracket	1	..	*Optional				
9	302054	Screw	2	4					
10	1356540	Bar	1	..					

DRIVE AND REAR LIGHTS (Figure 166)

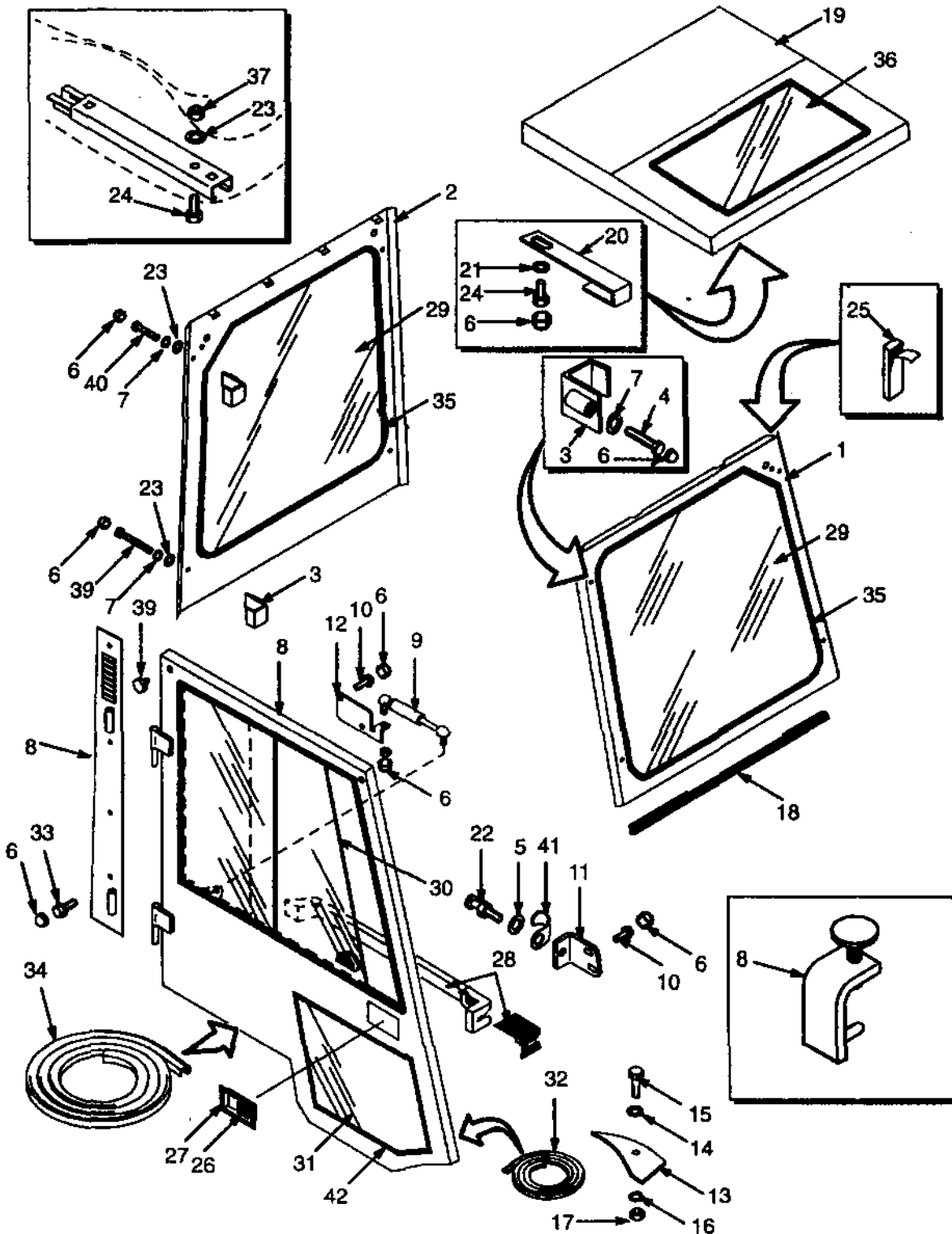


DRIVE AND REAR LIGHTS

<u>REF</u>	<u>PART NO.</u>	<u>NAME OF PART</u>	<u>QTY</u>	<u>REF</u>	<u>PART NO.</u>	<u>NAME OF PART</u>	<u>QTY</u>
1	1375172	Bracket (LH)	1	7	1354119	Light	3
1	1375171	Bracket (RH)	1	7	1379799	Bulb	1
1*	878138	Bracket	2	7	1363016	Lens	1
1	1376579	Bracket (Rear)	1	8	1310630	Fuse (15 Amp)	2
2	316678	Screw	6	9	1347114	Relay	1
2*	292500	Hex Head Bolt	4	10	1375168	Bolt	3
3	1356328	Wire Harness	3	11	296418	Washer	3
4	1375169	Plate	3	11*	320156	Washer	4
5	1367645	Bush	5	12	316835	Locknut	3
5*	878232	Grommet	2	12*	136687	Nut	4
6	1301160	Switch	2				
6	1301156	Lens	1				

* Use With Cab Kit 895972

CAB EXTERNAL DOOR (Figure 167)



**CAB
 EXTERNAL
 DOOR**

KEY:

A: Kit-Front Panel 895972

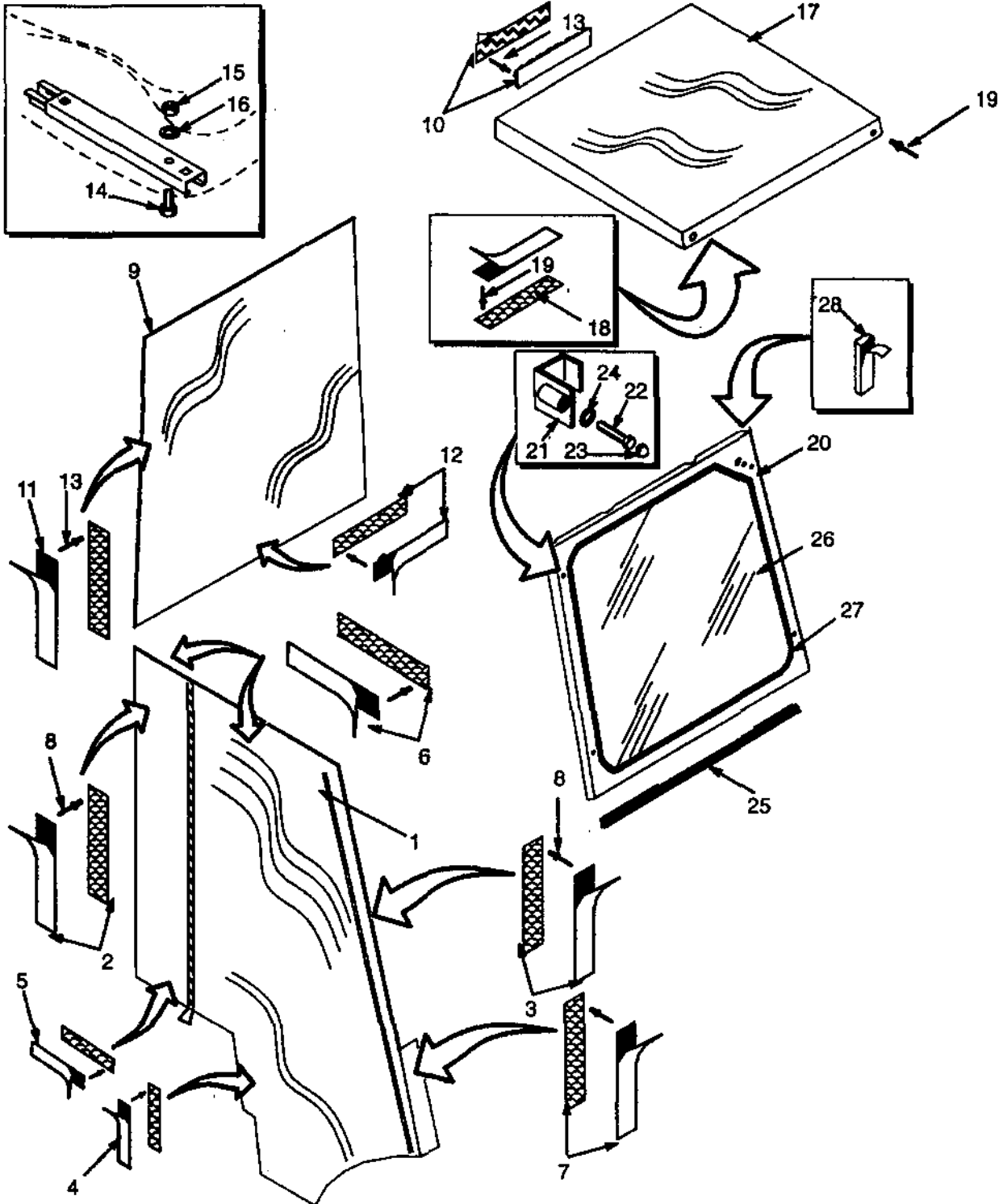
B: Kit-Rear Panel 895973

C: Kit-Door 895974

D: Kit-Top 1356410 And 1356411

REF	PART NO.	NAME OF PART	QTY				REF	PART NO.	NAME OF PART	QTY			
			A	B	C	D				A	B	C	D
1	1393168	Panel	1	25	1365290	Strip	AR	AR
2	1393169	Panel	1	26	878490	Lock (RH)	1	..
3	878133	Clamp	4	4	26	1450744	Latch	1	..
4	1393167	Screw	4	26	878491	Lock (LH)	1	..
5	878907	Washer	2	26	1450744	Latch	1	..
6	1365296	Cap	4	4	18	4	26	1367111	Key	4	..
7	320157	Washer	4	4	4	..	27	878906	Lock Plate	2	..
8	878226	Door (RH)	1	28	878143	Grip (RH)	1	..
8	878227	Door (LH)	1	28	1374066	Grip (LH)	1	..
9	1366618	Gas Spring	2	29	1369471	Windscreen	1
10	1366624	Screw	6	29	1369472	Windscreen	1
11	878904	Striker Plate (LH)	1	30	1369425	Window (Sliding RH)	1	..
11	878903	Striker Plate (RH)	1	30	1369427	Window (Sliding LH)	1	..
12	878092	Plate (LH)	1	31	1369426	Window (Bottom RH)	1	..
12	878091	Plate (RH)	1	31	1369428	Window (Bottom LH)	1	..
13	1359510	Panel (LH)	1	32	878148	Seal	2	..
13	1359509	Panel (RH)	1	33	1366624	Hex Head Bolt	18	..
14	1368957	Spacer	2	34	878233	Seal	2	..
15	292509	Hex Head Bolt	2	35	1365292	Strip	AR	AR
16	320157	Washer	2	36	1366627	Window	1
17	316835	Nut	2	37	239503	Nut	1	..
18	1365291	Strip	AR	38	1367639	Grommet	4	..
19 ^a	1368965	Panel	1	..	39	1334820	Hex Head Bolt	2
19 ^b	1368966	Panel	1	..	40	346656	Hex Head Bolt	2
20	1366632	Bracket	4	..	41	878909	Hook	2	..
21	320157	Washer	4	42	1382056	Strip	2	..
22	878908	Pin	2			^a Standard Height				
23	292681	Washer	5	..	4	..			^b Raised Height				
24	136681	Hex Head Bolt	1	4							

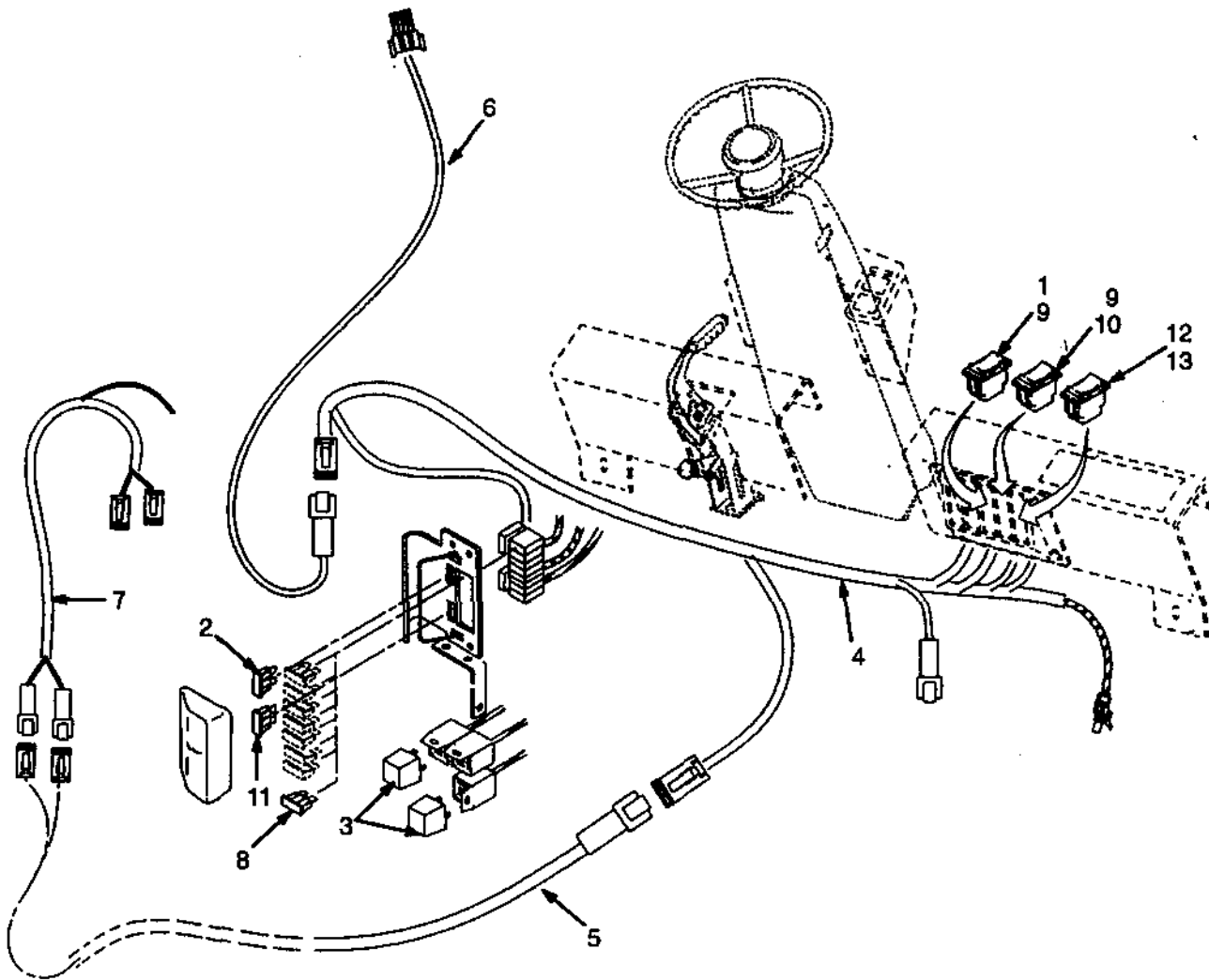
CAB PVC (Figure 168)



**CAB
 PVC**

REF	PART NO.	NAME OF PART	QTY	REF	PART NO.	NAME OF PART	QTY
	1356412	Kit-Door	2	15	239503	Nut	1
1	1366625	Panel (Side RH)	1	16	292681	Hex Head Bolt	1
1	1366626	Panel (Side LH)	1	17	1356509	Panel (Top Standard)	1
2	1374068	Strip (40 mm X 900 mm)	1	17	1356510	Panel (Top Raised Height)	1
3	1374072	Strip (20 mm X 1350mm)	1	18	1374075	Strip (40 mm X 1010 mm)	1
4	1374071	Strip (40 mm X 100mm)	1	19	1374074	Rivet	2
5	1374070	Strip (40 mm X 200 mm)	1	20	895972	Kit-Front Panel	1
6	1374069	Strip (20 mm X 1229 mm)	1	20	1393168	Panel	1
7	1374073	Strip (40 mm X 410 mm)	1	21	878133	Clamp	4
8	1374074	Rivet	12	22	1393167	Screw	4
9	1356511	Panel(Rear)	1	23	1365296	Cap	4
10	1374076	Strip (40 mm X 888 mm)	1	24	320157	Washer	4
11	1374077	Strip (40 mm X 1125mm)	1	25	1365291	Strip	1
12	1374070	Strip (40 mm X 200 mm)	1	26	1369471	Windscreen	1
13	1374074	Rivet	8	27	1365929	Strip	1
14	136681	Hex Head Bolt	1	28	1365290	Strip	1

ELECTRICAL SYSTEM CAB (Figure 169)



**ELECTRICAL SYSTEM
CAB**

KEY:

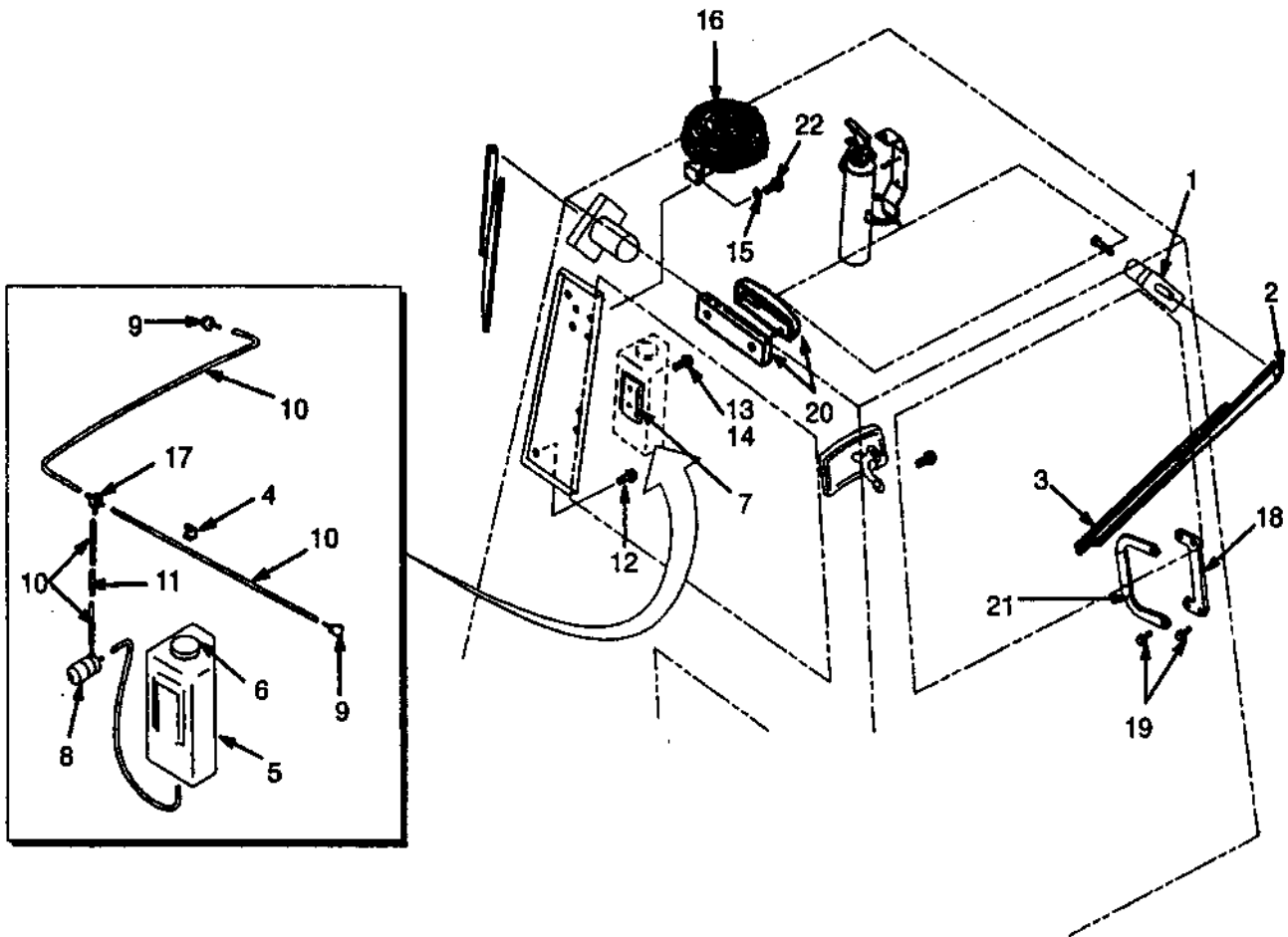
A: Kit-Front Panel

B: Kit-Rear Panel

C: Kit-Heater

REF	PART NO.	NAME OF PART	QTY			REF	PART NO.	NAME OF PART	QTY		
			A	B	C				A	B	C
	875972	Kit-Front Panel	1	6	Wiper Wire Harness	1
	875773	Kit-Rear Panel	1	..			☞ Figure 172			
	1356414	Kit-Heater	1	7	Cab Wire Harness	1
1	1301675	Lens	1			☞ Figure 173			
2	1300134	Fuse (25Amp)	1	8	1320669	Fuse (30 Amp)	1
3	1301233	Relay	1	9	1301150	Switch	1	1	..
4	Cowl Harness	1	10	1366607	Lens	1	..
		☞ Figure 174				11	1310630	Fuse (15Amp)	1	..
5	Chassis Wire Harness	1	12	1331245	Switch	1	..
		☞ Figure 175				13	1366633	Lens	1

OPTIONAL EQUIPMENT CAB (Figure 170)



**OPTIONAL EQUIPMENT
CAB**

KEY:

A: Kit-Dome Light 895978

B: Kit-Fan Assy 895977

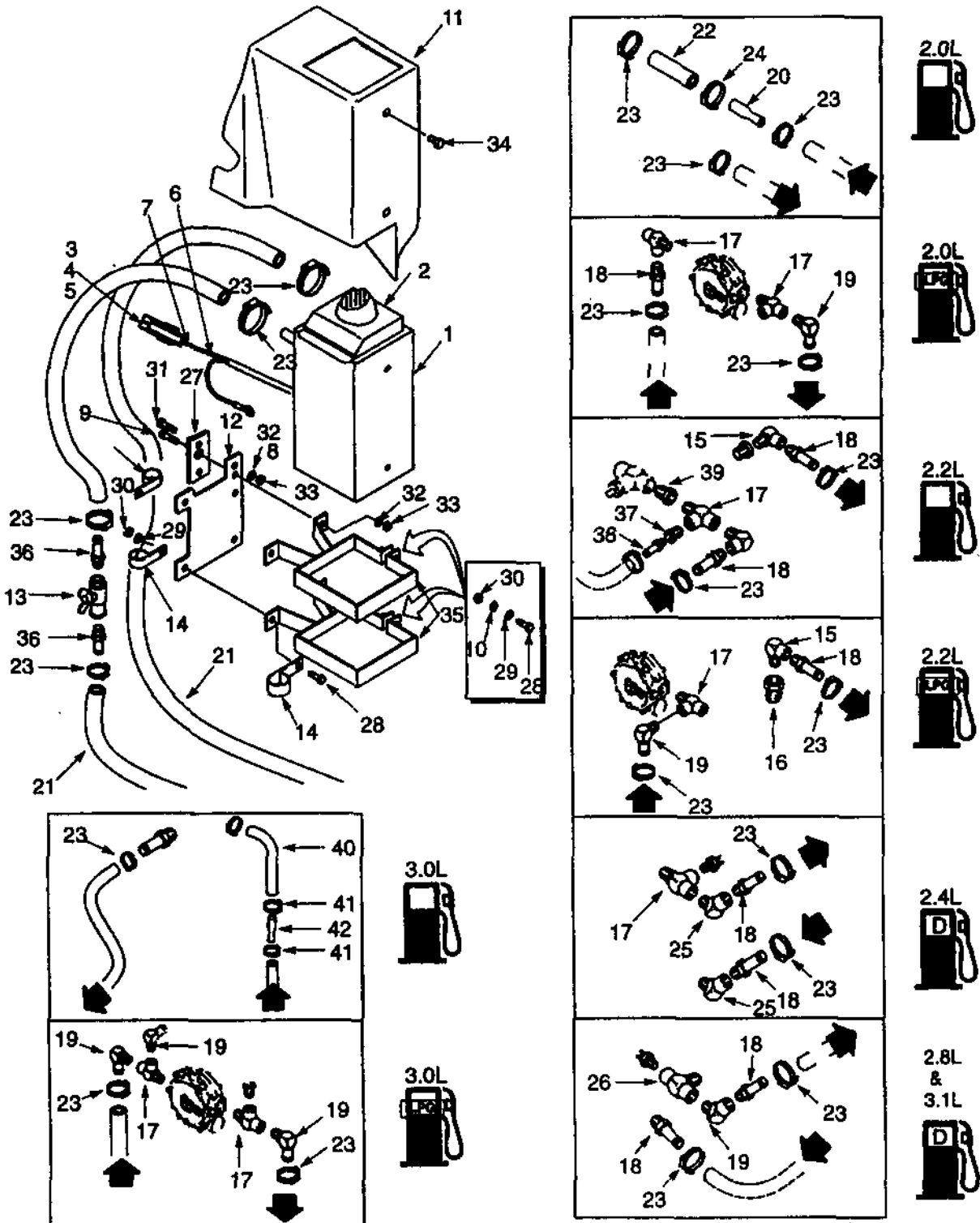
C: Kit-Front Panel 895972 And Kit-Rear Panel 895973

D: Kit-Washer 895976

REF	PART NO.	NAME OF PART	QTY				REF	PART NO.	NAME OF PART	QTY			
			A	B	C	D				A	B	C	D
1	1377854	Wiper Motor	1	..	13	320156	Washer	2		
2	1373949	Wiper Arm	1	..	14	1368953	Screw	2	..	2		
3	1374050	Wiper Blade	1	..	15	292679	Washer	4	4	..		
4	1366603	Clamp	10	16	1359562	Fan	1	..		
5	1365286	Reservoir	1	17	1366600	Fitting	1		
6	1368137	Cap	1	18	1366623	Bracket	1	..		
7	1365287	Bracket	1	19	1366624	Screw	2	..	4		
8	1365288	Pump	1	20	1366622	Kit-Inner Lighting	1		
9	1365289	Windscreen Washer	1	21	878141	Bracket	1		
10	1366601	Hose	1	22	1343647	Handle (Standard)	2	..		
11	1365299	Check Valve	1	23	878163	Screw	4	..		
12	1368140	Bolt	1								

HEATER CAB

(Figure 171)

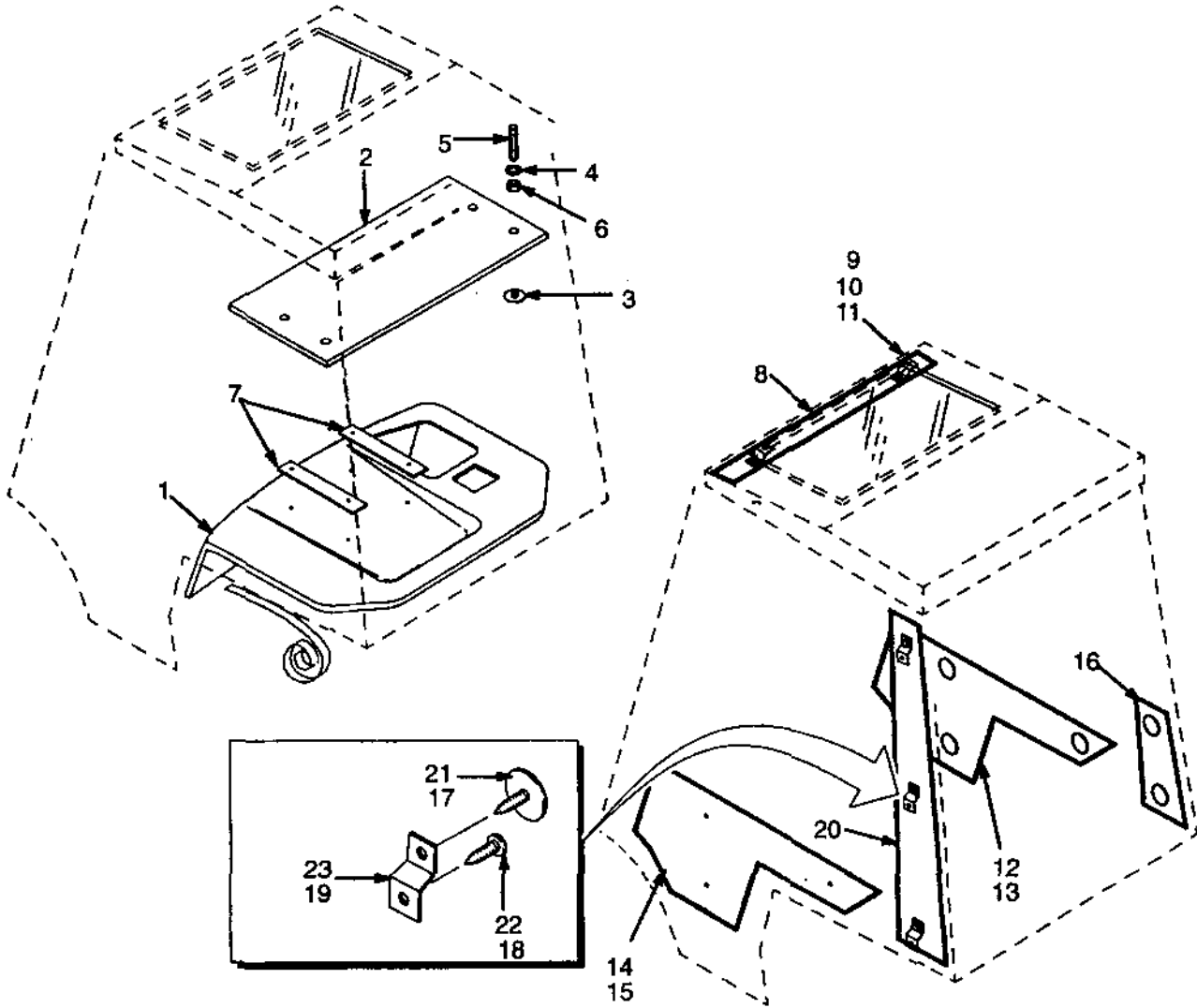


**HEATER
 CAB**

REF	PART NO.	NAME OF PART	QTY	REF	PART NO.	NAME OF PART	QTY
1	1359565	Heater Assy	1	22	258344	Hose	1
2	1359564	Heater	1	23	166857	Clamp	6
3	1330298	Connector	1	24	130845	Clamp	2
4	1334999	Pin	1	25	12823	Fitting	2
5	1329147	Seal	1	26	17665	Fitting	1
6	16906	Conduit	AR	27	1368952	Plate	1
7	175944	Heat Shrink Tubing	1	28	287816	Hex Head Bolt	4
8	320157	Washer	1	29	320156	Washer	4
9	292502	Hex Head Bolt	1	30	136687	Nut	7
10	292680	Washer	7	31	132861	Hex Head Bolt	1
11	1359523	Cover	1	32	292682	Washer	1
12	1368136	Plate	1	33	239503	Nut	1
13	1368110	Valve	1	34	1368968	Hex Head Bolt	2
14	181089	Clamp	3	35	1368967	Bracket	2
15	12837	Fitting	1	36	1368955	Fitting	2
16	12817	Fitting	1	37	63108	Fitting	1
17	154452	Fitting	2	38	17217	Fitting	1
18	102919	Fitting	2	39	16116	Fitting	1
19	102898	Fitting	1	40	1376666	Hose	1
20	1368105	Adapter	1	41	130845	Clamp	2
21	114310	Hose	1	42	1368105	Adapter	1

CAB SOUND LINERS

(Figure 172)



CAB SOUND LINERS

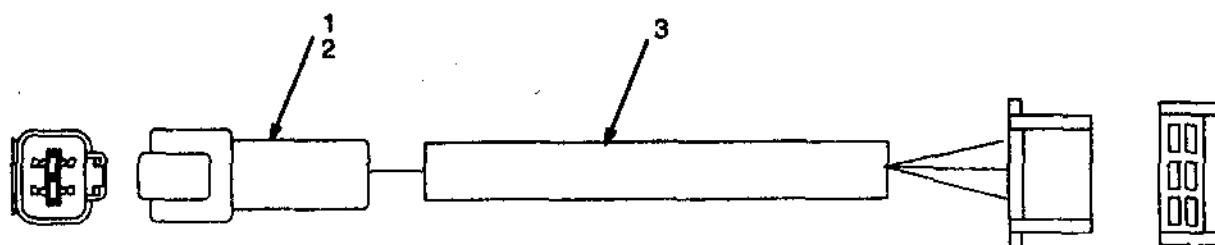
KEY:

A: Kit-Sound Liner

B: Kit-Low Noise

REF	PART NO.	NAME OF PART	QTY		REF	PART NO.	NAME OF PART	QTY	
			A	B				A	B
	1356413	Kit-Sound Liner	1	..	12	1368146	Door Cover (RH)	1	
	1365900	Kit-Low Noise		1	13	1368100	Clip	3	
1	1368144	Cover	1	..	14	1368147	Door Cover (LH)	1	
2	1359524	Headliner	1	..	15	1368100	Clip	3	
3	1361087	Button	4	..	16	1368148	Cover	1	
4	292681	Washer	4	..	17	1368100	Clip	2	
5	1366628	Stud	4	..	18	1365294	Screw	2	
6	316835	Nut	4	..	19	1370942	Bracket	2	
7	1368964	Plate	2	..	20	1368149	Cover	1	
8	1368145	Cover		1	21	1368100	Clip	3	
9	1368100	Clip		2	22	1365294	Screw	3	
10	1368956	Bracket		2	23	1370942	Bracket	3	
11	1365294	Screw		2					

HARNES WIPER (Figure 173)

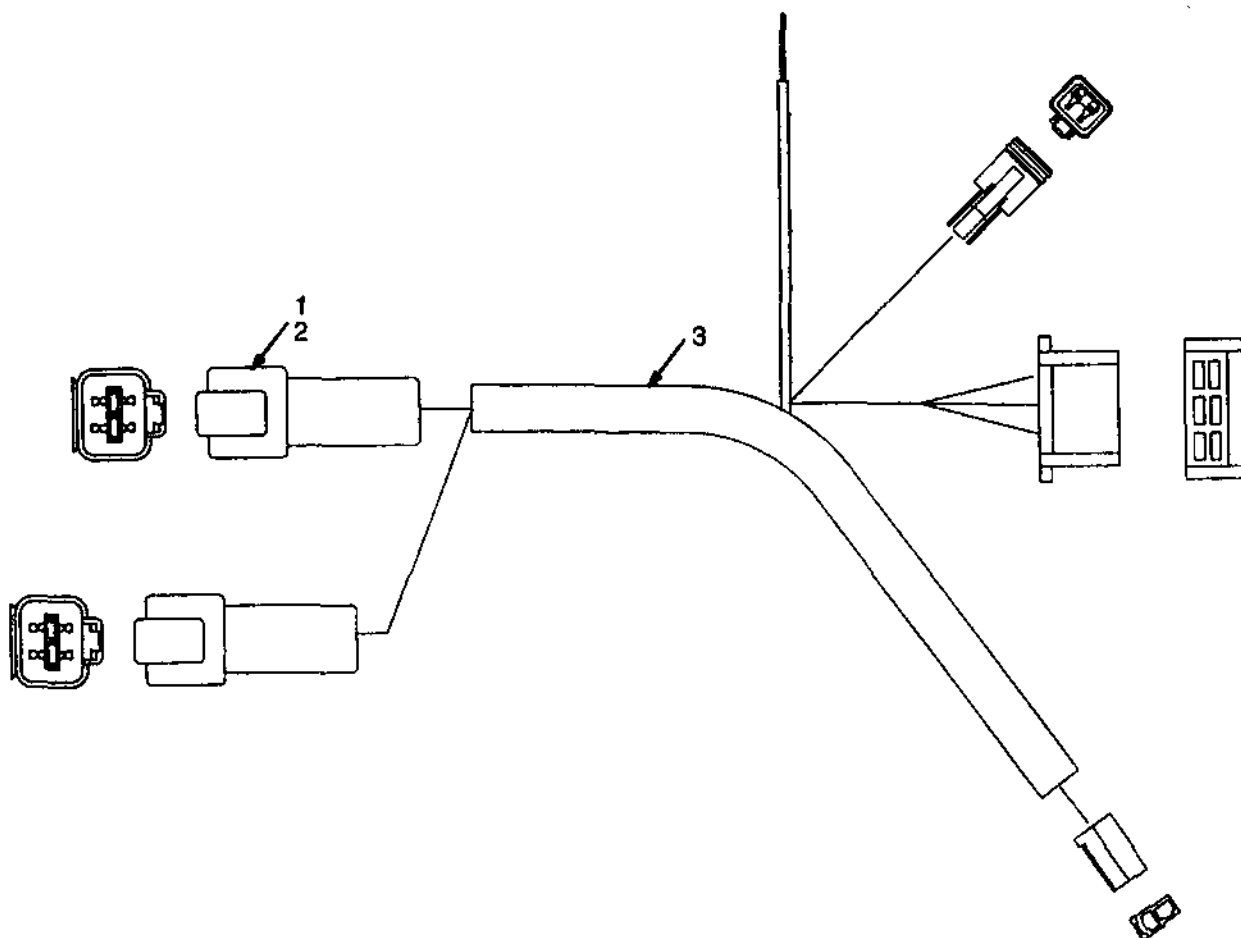


**HARNESS
WIPER**

<u>REF</u>	<u>PART NO.</u>	<u>NAME OF PART</u>	<u>QTY</u>	<u>REF</u>	<u>PART NO.</u>	<u>NAME OF PART</u>	<u>QTY</u>
	1359559	Harness	1	2	1330416	Lock	1
1	1330411	Connector	1	3	1359496	Wire	1

HARNESS CAB REAR

(Figure 174)

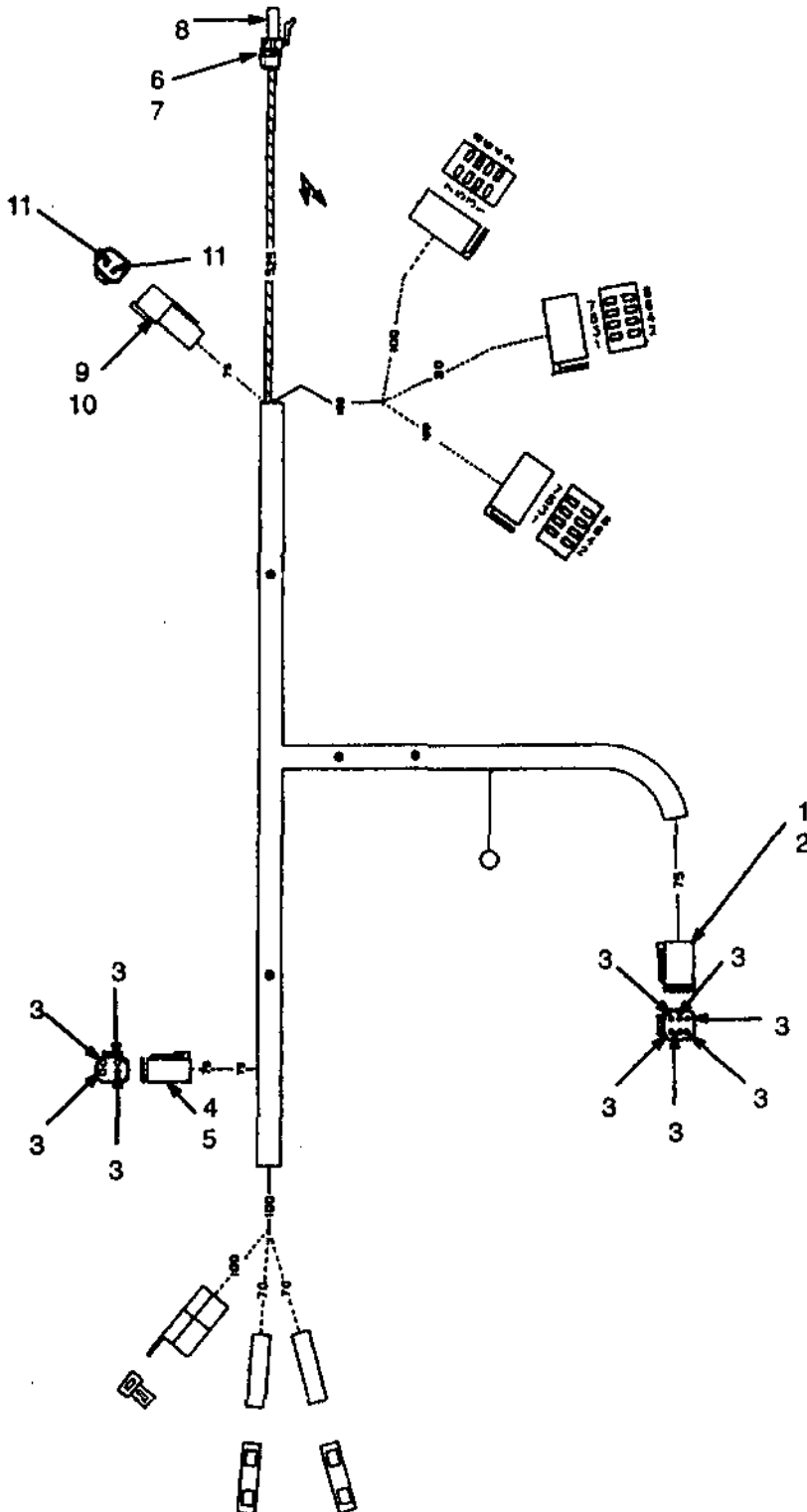


**HARNESSES
CAB
REAR**

<u>REF</u>	<u>PART NO.</u>	<u>NAME OF PART</u>	<u>QTY</u>	<u>REF</u>	<u>PART NO.</u>	<u>NAME OF PART</u>	<u>QTY</u>
	1359560	Harness	1	2	1330416	Lock	1
1	1330411	Connector	1	3	1359497	Wire	1

HARNESS CAB COWL

(Figure 175)

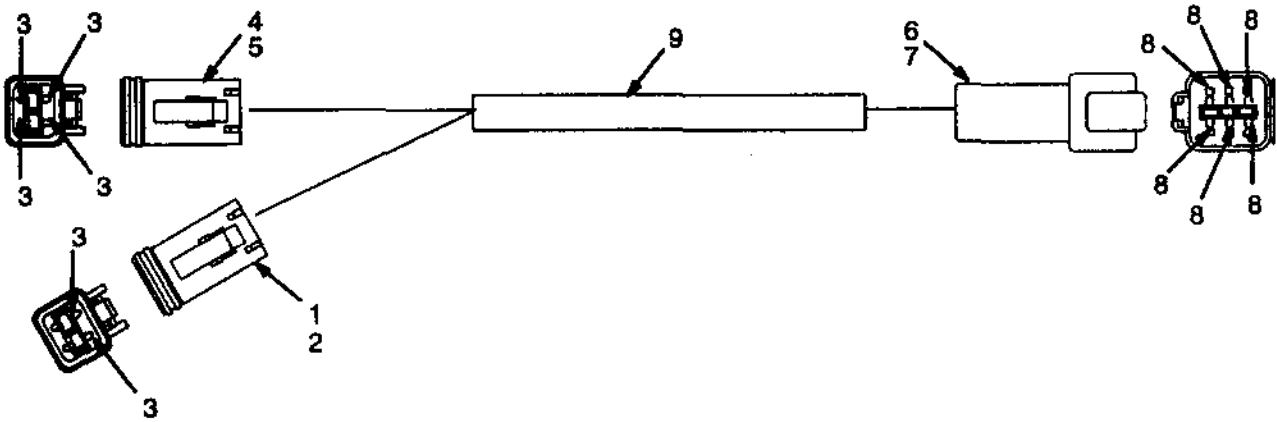


HARNES
CAB
COWL

<u>REF</u>	<u>PART NO.</u>	<u>NAME OF PART</u>	<u>QTY</u>	<u>REF</u>	<u>PART NO.</u>	<u>NAME OF PART</u>	<u>QTY</u>
	1455987	Harness	1	6	1330299	Connector	1
1	1330422	Connector	1	7	1329147	Seal	1
2	1330428	Lock	1	8	1336173	Socket	1
3	1330438	Socket	10	9	1330409	Connector	1
4	1330421	Connector	1	10	1330414	Lock	1
5	1330427	Lock	1	11	1330437	Pin	2

CHASSIS WIRE HARNESS REAR

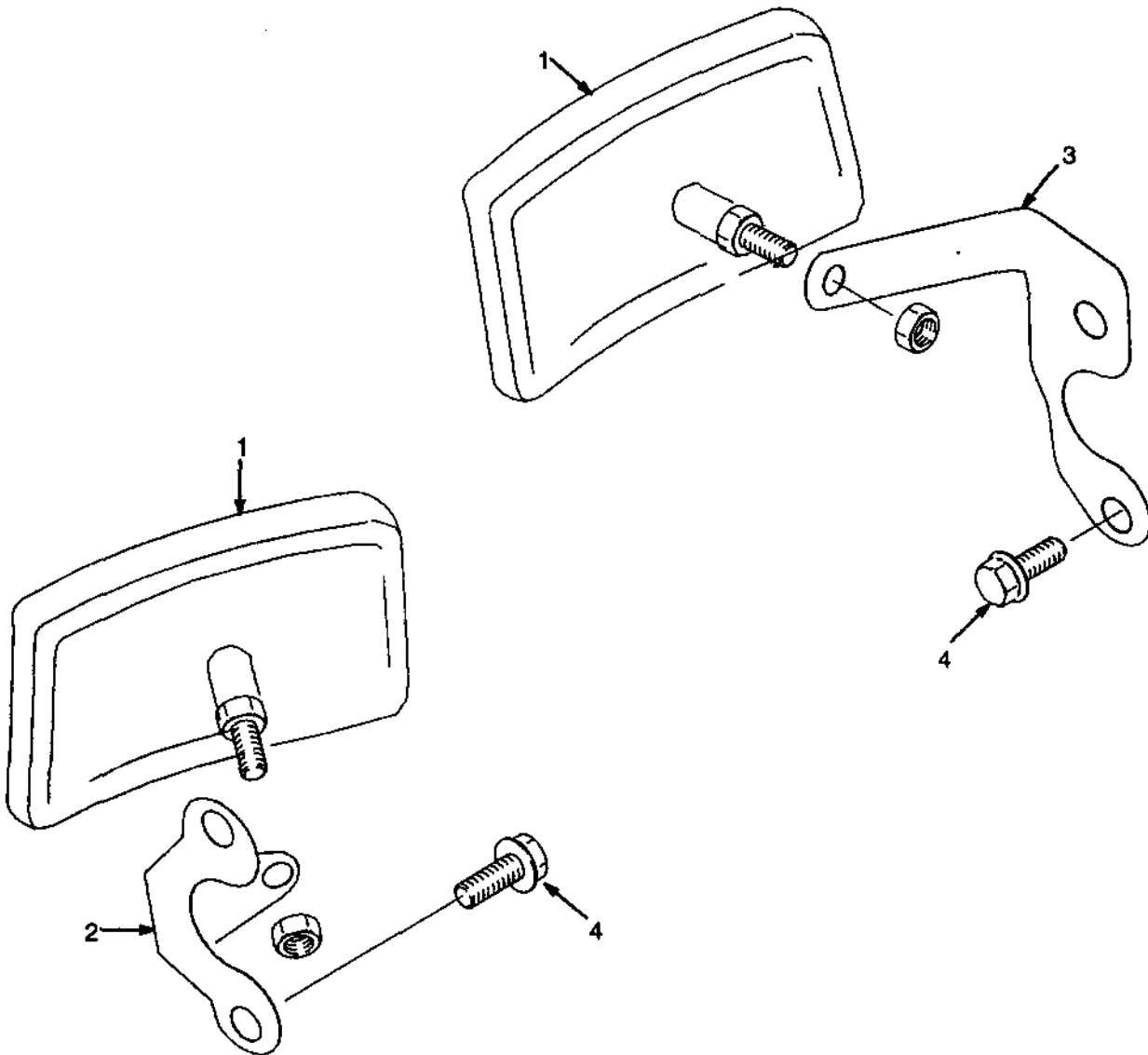
(Figure 176)



**CHASSIS WIRE HARNESS
REAR**

<u>REF</u>	<u>PART NO.</u>	<u>NAME OF PART</u>	<u>QTY</u>	<u>REF</u>	<u>PART NO.</u>	<u>NAME OF PART</u>	<u>QTY</u>
	1361143	Harness	1	5	1330427	Lock	1
1	1330419	Connector	1	6	1330412	Connector	1
2	1330424	Lock	1	7	1330417	Lock	1
3	1330438	Socket	6	8	1330437	Pin	6
4	1330421	Connector	1	9	381919	Conduit	AR

MIRROR (Figure 177)



MIRROR

KEY:

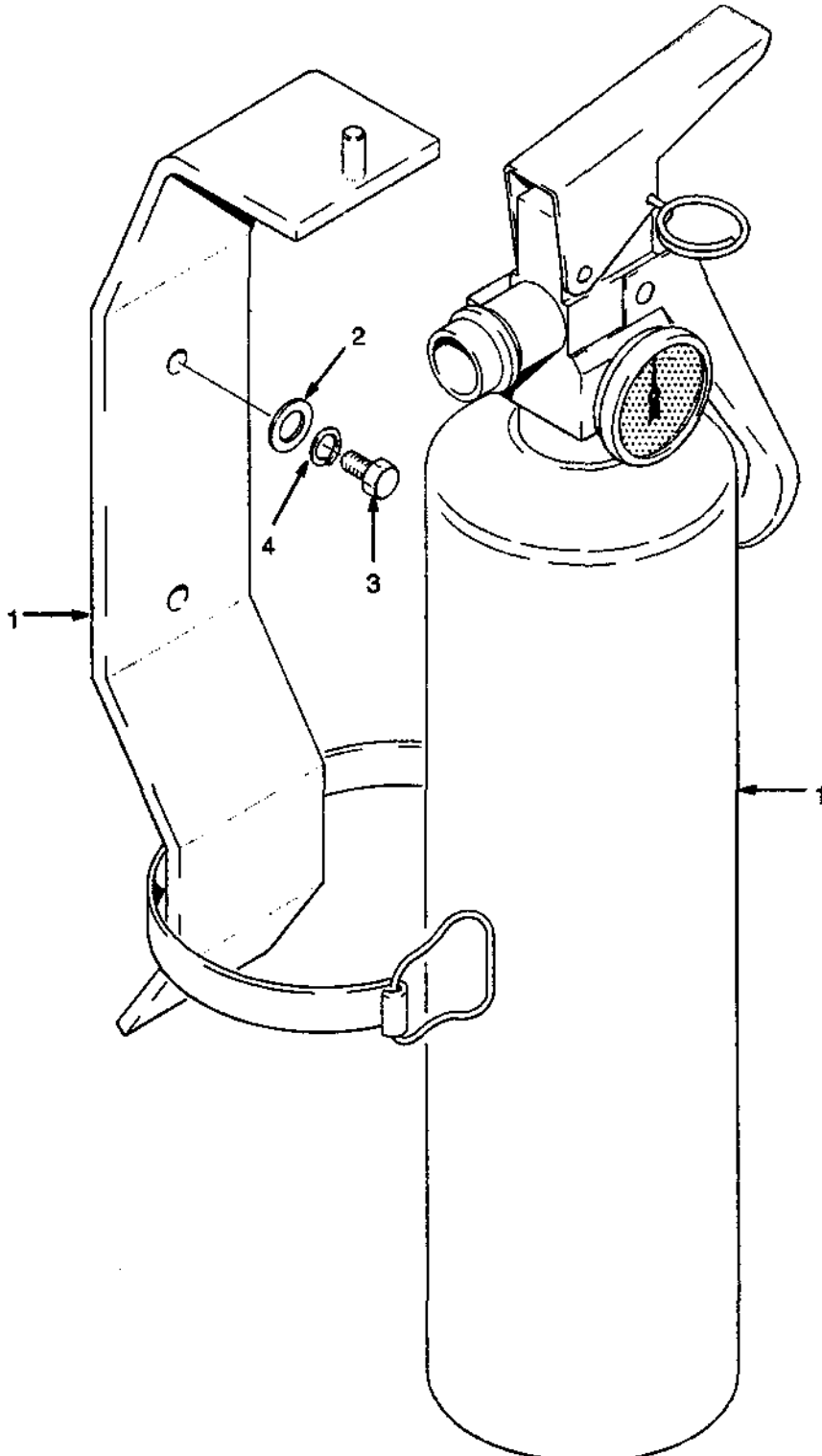
A: with Cab

B: without Cab

REF	PART NO.	NAME OF PART	QTY		REF	PART NO.	NAME OF PART	QTY	
			A	B				A	B
1	1301286	Mirror	2	2	3	1361561	Bracket	1	..
2	1356520	Bracket	1	2	4	316678	Screw	4	4

FIRE EXTINGUISHER

(Figure 178)



FIRE EXTINGUISHER

REF	PART NO.	NAME OF PART	QTY	REF	PART NO.	NAME OF PART	QTY
1	146540	Fire Extinguisher	1	3	296508	Screw	2
2	292679	Washer	2	4	320155	Washer	2

BACKUP ALARM

REF	PART NO.	NAME OF PART	QTY	REF	PART NO.	NAME OF PART	QTY
1 ^a	1361126	Bracket	1	7	1350734	Backup Alarm (97 dbA)	1
2 ^a	292500	Hex Head Bolt	2	7	1350735	Backup Alarm (102 dbA)	1
3 ^a	296417	Washer	4	7	1350736	Backup Alarm (107 dbA)	1
4 ^a	302399	Nut	2	7	1339947	Backup Alarm (82-102 dbA)	1
5 ^a	1361552	Wire Harness	1	8	1343892	Backup Alarm (90 dbA)	1
6 ^a	320158	Washer	AR			^a Included In Repair Kit 1375597	
7	1350733	Backup Alarm (87 dbA)	1				