

TRANSMISSION

CLUTCH
 FORWARD/REVERSE
 USED ON TRANSMISSIONS/N T080 Page 210

CLUTCH
 FORWARD/REVERSE
 USED ON TRANSMISSION S/N T078 Page 208

CONTROL VALVE
 TRANSMISSION Page 216

DIFFERENTIAL
 USED ON TRANSMISSION S/N T078 Page 214

DIFFERENTIAL
 USED ON TRANSMISSION S/N T078 Page 212

DRIVE AXLE Page 224

PUMP DRIVE Page 220

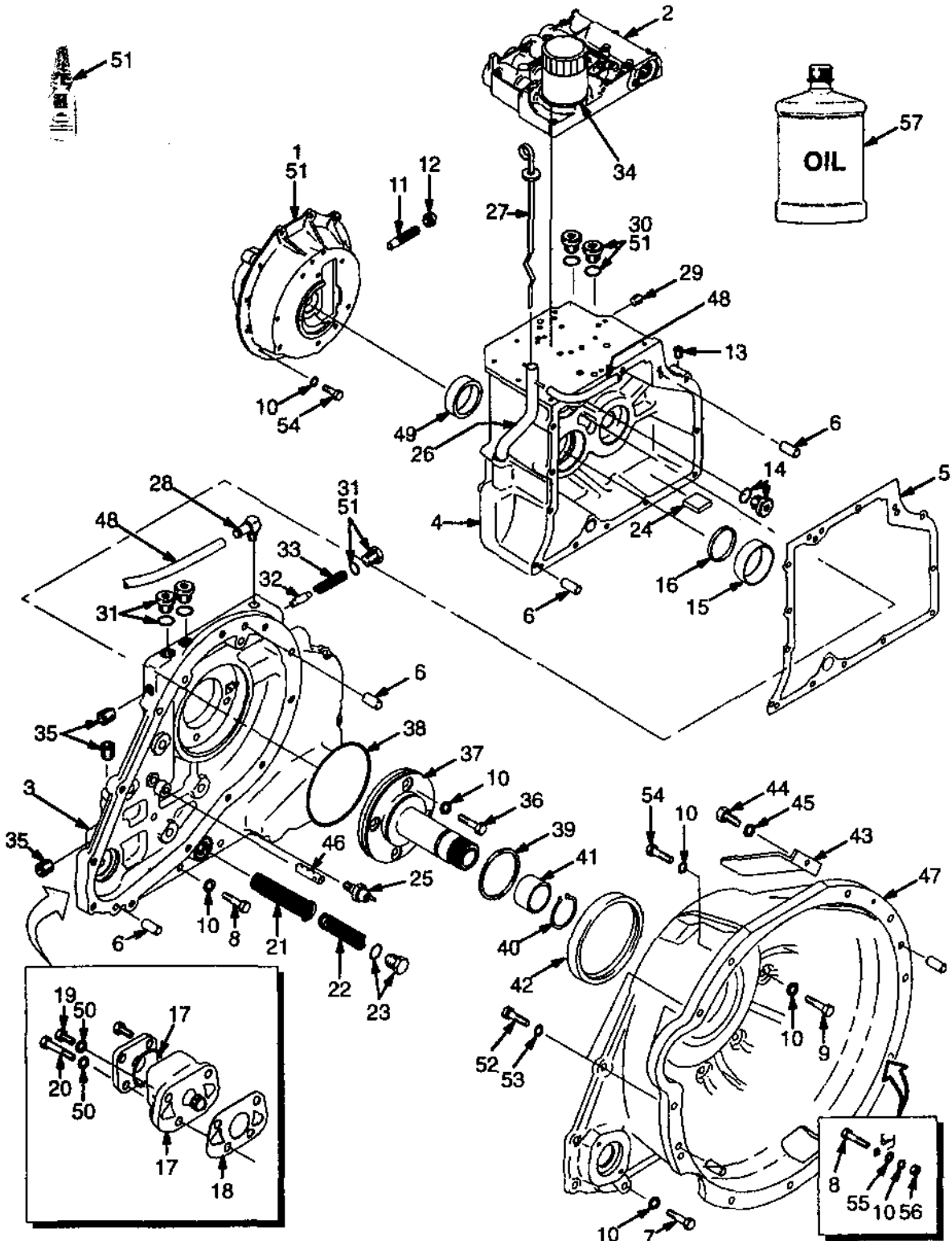
TRANSMISSION COOLING Page 222

TRANSMISSION
 USED ON TRANSMISSION S/N T080 Page 206

TRANSMISSION
 USED ON TRANSMISSION S/N T080 Page 204

TRANSMISSION USED ON TRANSMISSION S/N T078

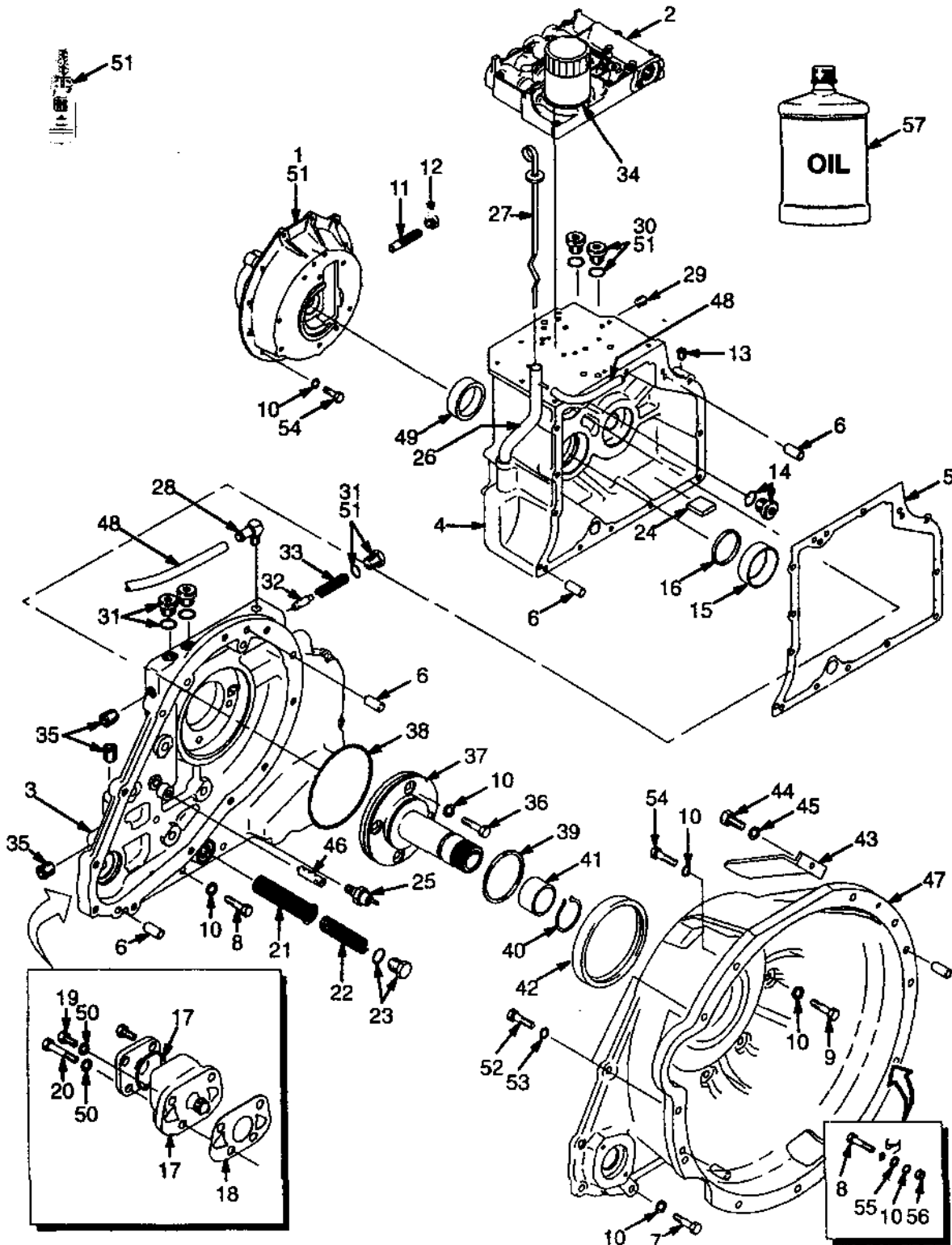
(Figure 92)



**TRANSMISSION
USED ON TRANSMISSION S/N T078**

REF	PART NO.	NAME OF PART	QTY	REF	PART NO.	NAME OF PART	QTY
	1394930	Transmission	1	30 ^b	16482	O-Ring	1
1	Differential	1	31	235691	Fitting	3
		☛ Figure 96		31 ^b	16484	O-Ring	1
2	Valve	1	32	287472	Spool	1
		☛ Figure 98		33	1334786	Spring	1
3	1367430	Cover	1	34 ^b	1328692	Oil Filter	1
4	1334717	Housing	1	35	15314	Fitting	3
5 ^b	1334772	Joint	1	36	136985	Hex Head Bolt	4
6	302385	Pin	4	37	1394923	Stator	1
7	292516	Hex Head Bolt	16	38 ^b	1337051	O-Ring	1
8	292519	Hex Head Bolt	3	39 ^b	1339332	Seal Ring	1
8 ^a	292519	Hex Head Bolt	4	40	12891	Circlip	1
9	292524	Hex Head Bolt	4	41	1339334	Spacer	1
10	292682	Lockwasher	48	42 ^b	1337052	Oil Seal	1
11	334571	Screw	1	43	1375148	Cover	2
12	15032	Nut	1	44	287817	Hex Head Bolt	2
13	15483	Fitting	1	45	292680	Lockwasher	2
14	222443	Adapter	1	46	1343557	Tube	1
14	16483	O-Ring	1	47	1375183	Converter Housing	1
15 ^b	137282	Bearing Cup	1	48	1389608	Hose (Optional)	1
16 ^b	286788	Seal	1	49 ^b	230419	Bearing Cup	1
17 ^b	1335921	Charge Pump	1	50	292681	Lockwasher	4
17	1355348	Seal	1	51 ^b	313022	Adhesive	AR
18 ^b	1334771	Joint	1	52	292528	Hex Head Bolt	2
19	176640	Hex Head Bolt	2	53	292683	Lockwasher	2
20	136703	Hex Head Bolt	2	54	287860	Hex Head Bolt	21
21	334450	Screen	1	54 ^a	287860	Hex Head Bolt	20
22	334452	Spring	1	55 ^a	320159	Washer	1
23	14604	Adapter	1	56 ^a	136692	Nut	1
23 ^b	16487	O-Ring	1	57	336830	Transmission Oil (0,95 L)	AR
24	334560	Magnet	1	57	336831	Transmission Oil (7,6 L)	AR
25	1322627	Temperature Switch	1	57	336832	Transmission Oil (19 L)	AR
26	1338259	Tube	1	57	336833	Transmission Oil (209 L)	AR
27	1343533	Dipstick	1		^a	Diesel	
28	1316809	Fitting	1		^b	Included In Kit-Repair Transmission 996297	
29	15347	Adapter	1				
30	134436	Fitting	2				

TRANSMISSION USED ON TRANSMISSION S/N T080 (Figure 93)

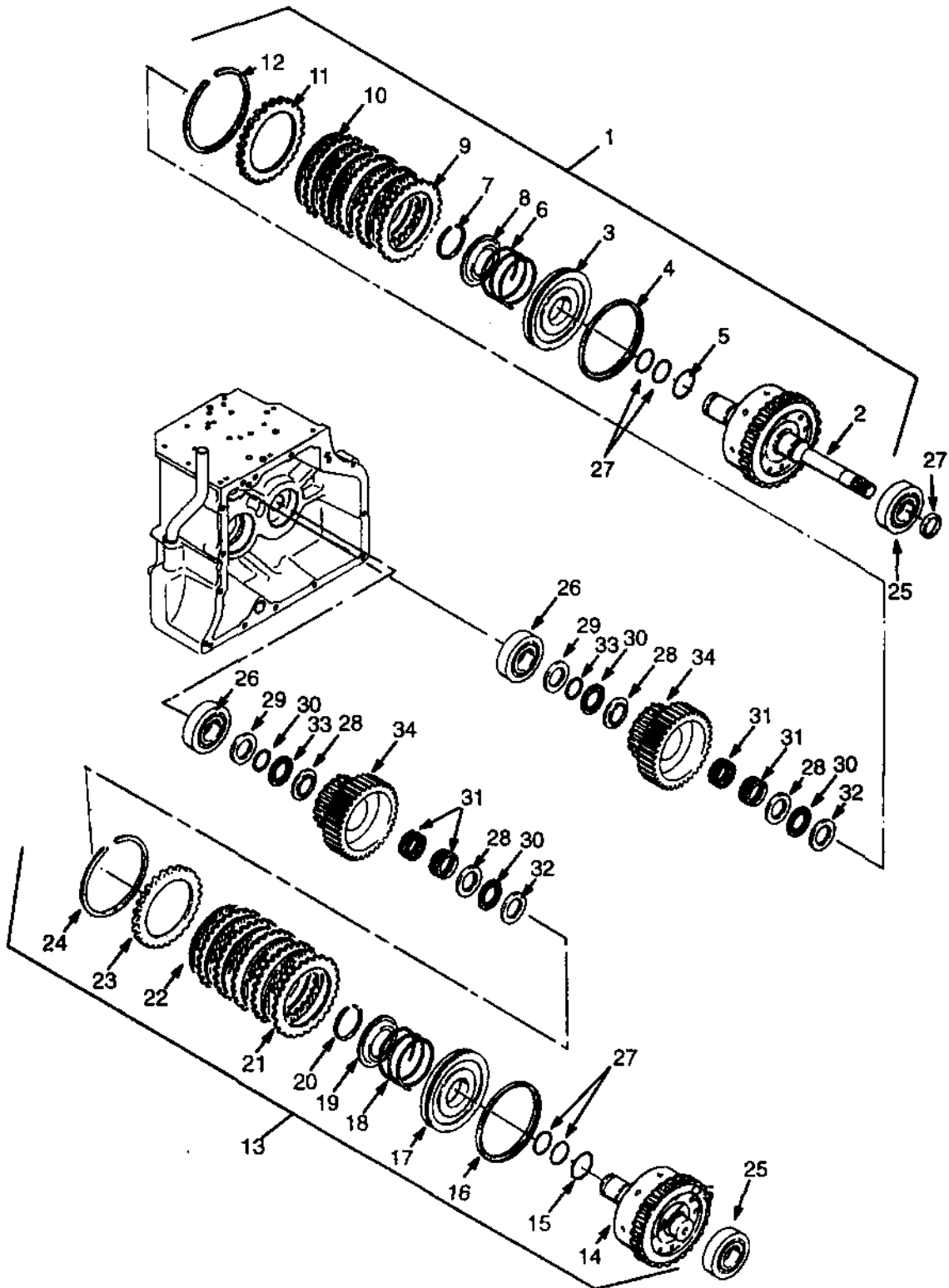


**TRANSMISSION
USED ON TRANSMISSION S/N T080**

REF	PART NO.	NAME OF PART	QTY	REF	PART NO.	NAME OF PART	QTY
^a	1394942	Transmission	1	30	134436	Fitting	2
^b	1460975	Transmission	1	31	235691	Fitting	3
1	Differential	1	31 ^c	16484	O-Ring	1
		☞ Figure 97		32	287472	Spool	1
2 ^a	1391377	Valve	1	33 ^a	1334786	Spring	1
		☞ Figure 98		33 ^b	1460948	Spring	1
2 ^b	1460959	Valve	1	34 ^c	1328692	Oil Filter	1
		☞ Figure 98		35	15314	Fitting	3
3	1367430	Cover	1	36	136985	Hex Head Bolt	4
4	1334717	Housing	1	37	1394923	Stator	1
5 ^c	1334772	Joint	1	38	1337051	O-Ring	1
6	302385	Pin	4	39	1339332	Seal Ring	1
7	292516	Hex Head Bolt	16	40	12891	Circlip	1
8	292519	Hex Head Bolt	3	41	1339334	Spacer	1
8 ^d	292519	Hex Head Bolt	4	42	1337052	Oil Seal	1
9	292524	Hex Head Bolt	4	43	1375148	Cover	2
10 ^d	292682	Lockwasher	27	44	287817	Hex Head Bolt	2
11	334571	Screw	1	45	292680	Lockwasher	2
12	15032	Nut	1	46	1343557	Tube	1
13	15483	Fitting	1	47	1375183	Converter Housing	1
14	16483	O-Ring	1	48	1389608	Hose (Optional)	1
15 ^c	137282	Bearing Cup	1	49 ^c	230419	Bearing Cup	1
16 ^c	286788	Seal	1	50	292681	Lockwasher	4
17 ^c	1335921	Charge Pump	1	51	264159	Adhesive	AR
17 ^c	1355348	Seal	1	52	292528	Hex Head Bolt	2
18 ^c	1334771	Joint	1	53	292683	Lockwasher	2
19	176640	Hex Head Bolt	2	54	287860	Hex Head Bolt	21
20	136703	Hex Head Bolt	2	55 ^d	320159	Washer	1
21	334450	Screen	1	56 ^d	136692	Nut	1
22	334452	Spring	1	57	336830	Transmission Oil (0,95 L)	AR
23 ^c	14604	Adapter	1	57	336831	Transmission Oil (7,6 L)	AR
23	16487	O-Ring	1	57	336832	Transmission Oil (19 L)	AR
24	334560	Magnet	1	57	336833	Transmission Oil (209 L)	AR
25	1322627	Temperature Switch	1				
26	1338259	Tube	1	^a	Last used on S/N Pending per 73190		
27	1343533	Dipstick	1	^b	First used on S/N Pending per 73190		
28	1316809	Fitting	1	^c	Included in Kit-Repair Transmission 996297		
29	15347	Adapter	1	^d	Disel		

CLUTCH FORWARD/REVERSE USED ON TRANSMISSION S/N T078

(Figure 94)

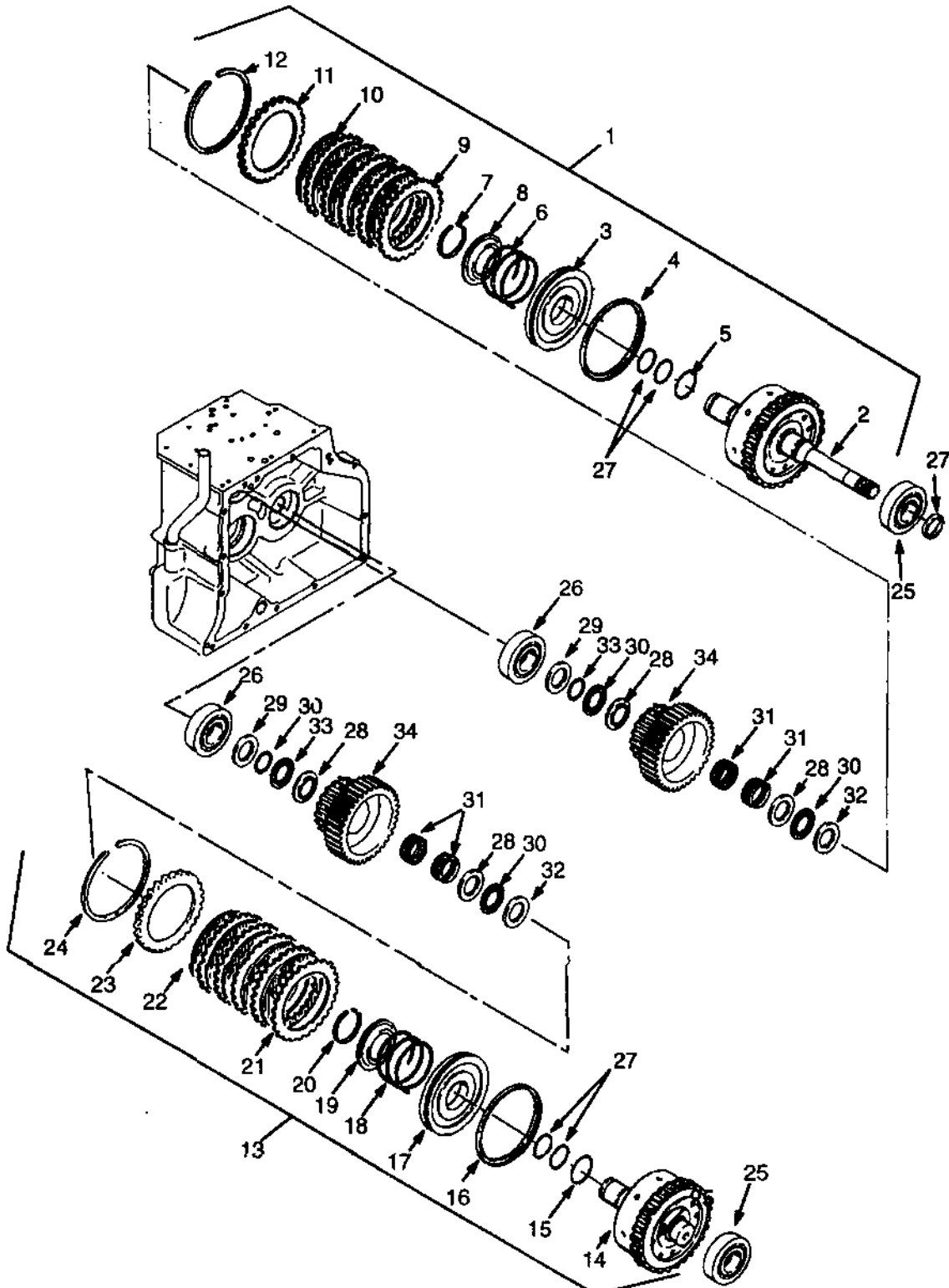


**CLUTCH
FORWARD/REVERSE
USED ON TRANSMISSION S/N T078**

REF	PART NO.	NAME OF PART	QTY	REF	PART NO.	NAME OF PART	QTY
1	1394932	Clutch (Forward)	1	19	334449	Spring Guide	1
2	1394931	Input Shaft Assy	1	20 ^b	334480	Circlip	1
3	334439	Piston	1	21 ^b	334417	Separator Plate	5
4 ^{ab}	334402	Seal	1	22 ^b	346796	Friction Plate	5
5 ^{ab}	346795	O-Ring	1	23 ^b	334442	Pressure Plate	1
6	334595	Spring	1	24 ^b	334475	Circlip	1
7	334449	Spring Guide	1	25 ^b	43207	Bearing	2
8 ^b	334480	Circlip	1	26 ^b	43307	Bearing	2
9 ^b	334417	Separator Plate	5	27 ^b	334429	Ring (Seal)	5
10 ^b	346796	Friction Plate	5	28 ^b	347767	Washer	4
11 ^b	334442	Pressure Plate	1	29 ^b	347768	Washer	2
12 ^b	334475	Circlip	1	30 ^b	78826	Bearing	4
13	361895	Clutch (Reverse)	1	31 ^b	334454	Bearing	4
14	361893	Countershaft	1	32	347770	Spacer	2
15 ^{ab}	346795	O-Ring	1	33 ^b	347773	Circlip	2
16 ^{ab}	334402	Seal	1	34	360318	Clutch Output Gear	2
17	334439	Piston	1	^a		Included In Kit-Joint 352075	
18	334595	Spring	1	^b		Included In Kit-Repair Transmission 996297	

CLUTCH FORWARD/REVERSE USED ON TRANSMISSION S/N T080

(Figure 95)

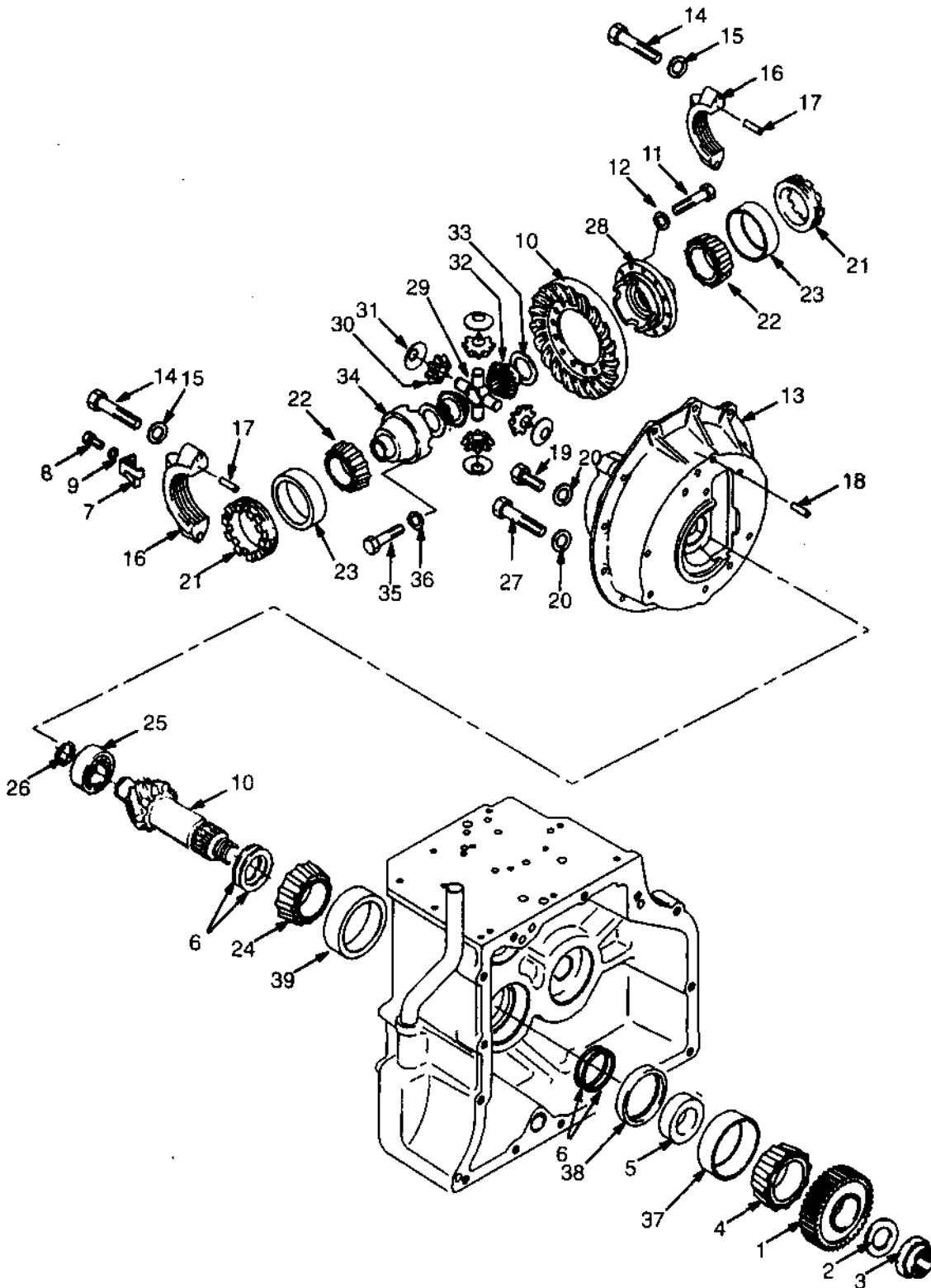


**CLUTCH
FORWARD/REVERSE
USED ON TRANSMISSION S/N T080**

<u>REF</u>	<u>PART NO.</u>	<u>NAME OF PART</u>	<u>QTY</u>	<u>REF</u>	<u>PART NO.</u>	<u>NAME OF PART</u>	<u>QTY</u>
1	1394902	Clutch (Forward)	1	18	1394882	Spring	1
2	1394908	Input Shaft Assy	1	19	1394893	Spring Guide	1
3	1394885	Piston	1	20	1394912	Circlip	1
4	334402	Seal	1	21	334417	Separator Plate	5
5	1394879	O-Ring	1	22	346796	Friction Plate	5
6	1394882	Spring	1	23	1394881	Pressure Plate	1
7	1394893	Spring Guide	1	24	334475	Circlip	1
8	1394912	Circlip	1	25	43207	Bearing	2
9	334417	Separator Plate	5	26	43307	Bearing	2
10	346796	Friction Plate	5	27	334429	Ring (Seal)	5
11	1394881	Pressure Plate	1	28	1394888	Washer	4
12	334475	Circlip	1	29	1394894	Washer	2
13	1394903	Clutch (Reverse)	1	30	1394887	Bearing	4
14	1394909	Countershaft	1	31	1394886	Bearing	4
15	1394879	O-Ring	1	32	1394895	Spacer	2
16	334402	Seal	1	33	347773	Circlip	2
17	1394885	Piston	1	34	1394884	Clutch Output Gear	2

DIFFERENTIAL USED ON TRANSMISSION S/N T078

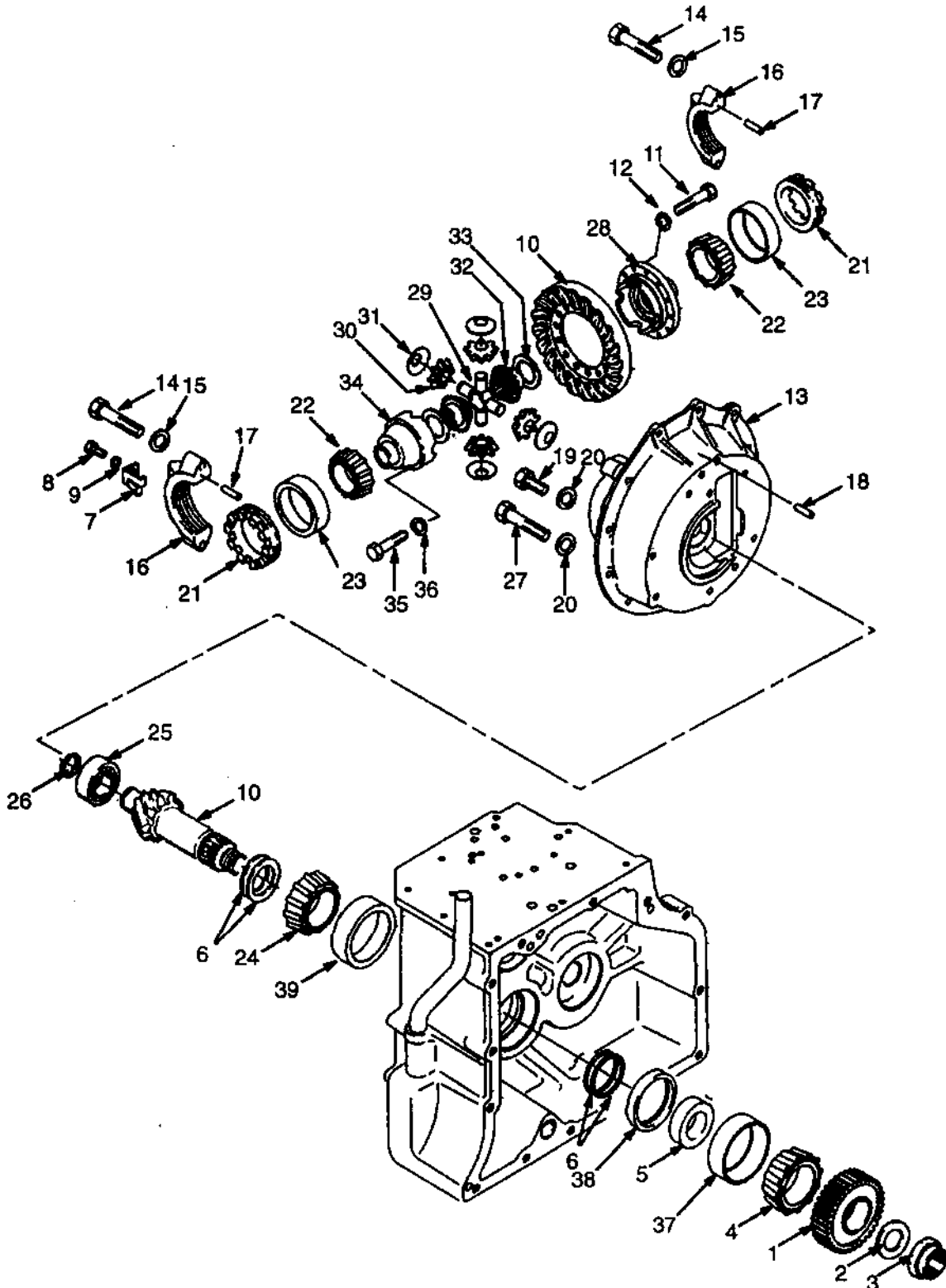
(Figure 96)



DIFFERENTIAL USED ON TRANSMISSION S/N T078

REF	PART NO.	NAME OF PART	QTY	REF	PART NO.	NAME OF PART	QTY
1	1386806	Output Gear	1	19	136985	Hex Head Bolt	8
2 ^a	334587	Washer	1	20	292682	Lockwasher	10
3 ^a	304406	Nut	1	21	347746	Nut	2
4 ^a	137283	Bearing Cone	1	22 ^a	78584	Bearing Cone	2
5	334453	Spacer	1	23 ^a	45733	Bearing Cup	2
6 ^a	346842	Shim (0,356 mm)	2	24 ^a	342734	Bearing Cone	1
6 ^a	346843	Shim (0,381 mm)	2	25 ^a	135158	Bearing	1
6 ^a	346844	Shim (0,406 mm)	4	26 ^a	320264	Ring	1
6 ^a	346845	Shim (0,508 mm)	4	27	292519	Hex Head Bolt	2
6 ^a	346846	Shim (0,559 mm)	3	28	380478	Differential	1
6 ^a	346847	Shim (0,635 mm)	3	28	Housing	1
7	334447	Plate	2	29	380489	Spider	1
8	287851	Hex Head Bolt	2	30	380486	Pinion	4
9	292681	Lockwasher	2	31 ^a	380488	Washer	4
10	1343219	Crown Wheel and Pinion	1	32	380483	Side Gear	2
11	97577	Bolt	12	33 ^a	380485	Washer	2
12	221771	Washer	12	34	Housing	1
13	1334796	Differential Housing	1	35	221550	Hex Head Bolt	8
14	218599	Hex Head Bolt	4	36	334580	Washer	8
15	221773	Washer	4	37	137282	Bearing Cup	1
16	367475	Bearing Cap	2	38	286788	Oil Seal	1
17	234038	Dowel Pin	4	39	230419	Bearing Cup	1
18	309831	Pin	1			^a Included In Kit-Repair Transmission 996297	

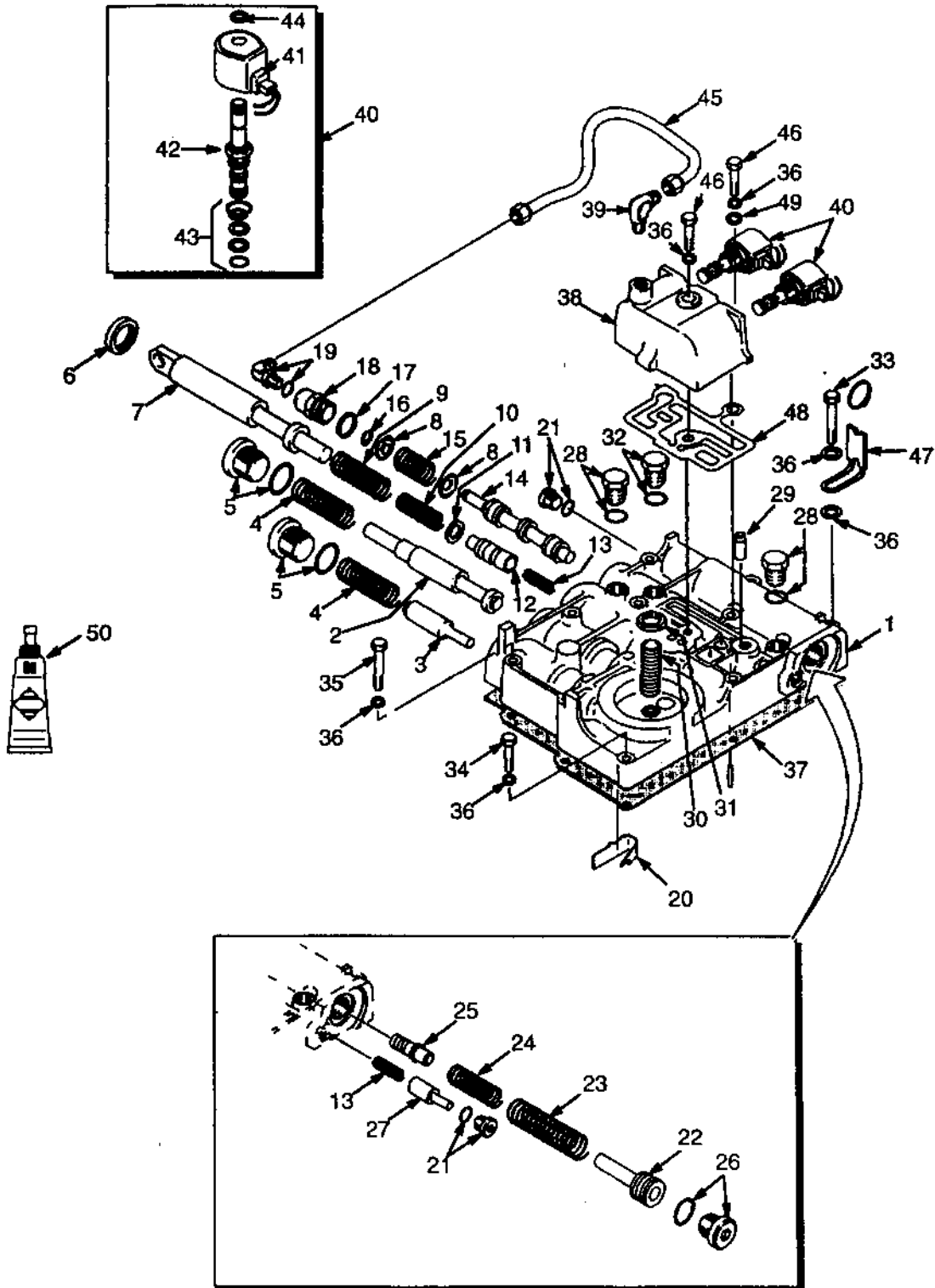
DIFFERENTIAL USED ON TRANSMISSION S/N T078 (Figure 97)



**DIFFERENTIAL
 USED ON TRANSMISSION S/N T078**

REF	PART NO.	NAME OF PART	QTY	REF	PART NO.	NAME OF PART	QTY
1	1386806	Output Gear	1	19	136985	Hex Head Bolt	8
2	334587	Washer	1	20	292682	Lockwasher	10
3	304406	Nut	1	21	347746	Nut	2
4	137283	Bearing Cone	1	22	78584	Bearing Cone	2
5	334453	Spacer	1	23	45733	Bearing Cup	2
6	346842	Shim (0,356 mm)	2	24	342734	Bearing Cone	1
6	346843	Shim (0,381 mm)	2	25	135158	Bearing	1
6	346844	Shim (0,406 mm)	4	26	320264	Ring	1
6	346845	Shim (0,508 mm)	4	27	292519	Hex Head Bolt	2
6	346846	Shim (0,559 mm)	3	28	1383450	Differential	1
6	346847	Shim (0,635 mm)	3	28	Housing	1
7	334447	Plate	2	29	1383461	Spider	1
8	287851	Hex Head Bolt	2	30	1383458	Pinion	4
9	292681	Lockwasher	2	31	1343460	Washer	4
10	1343219	Crown Wheel and Pinion	1	32	1383455	Side Gear	2
11	97577	Bolt	12	33	1383457	Washer	2
12	221771	Washer	12	34	Housing	1
13	1334796	Differential Housing	1	35	293657	Hex Head Bolt	8
14	218599	Hex Head Bolt	4	36	1383466	Washer	8
15	221773	Washer	4	37	137282	Bearing Cup	1
16	367475	Bearing Cap	2	38	286788	Oil Seal	1
17	234038	Dowel Pin	4	39	230419	Bearing Cup	1
18	309831	Pin	1				

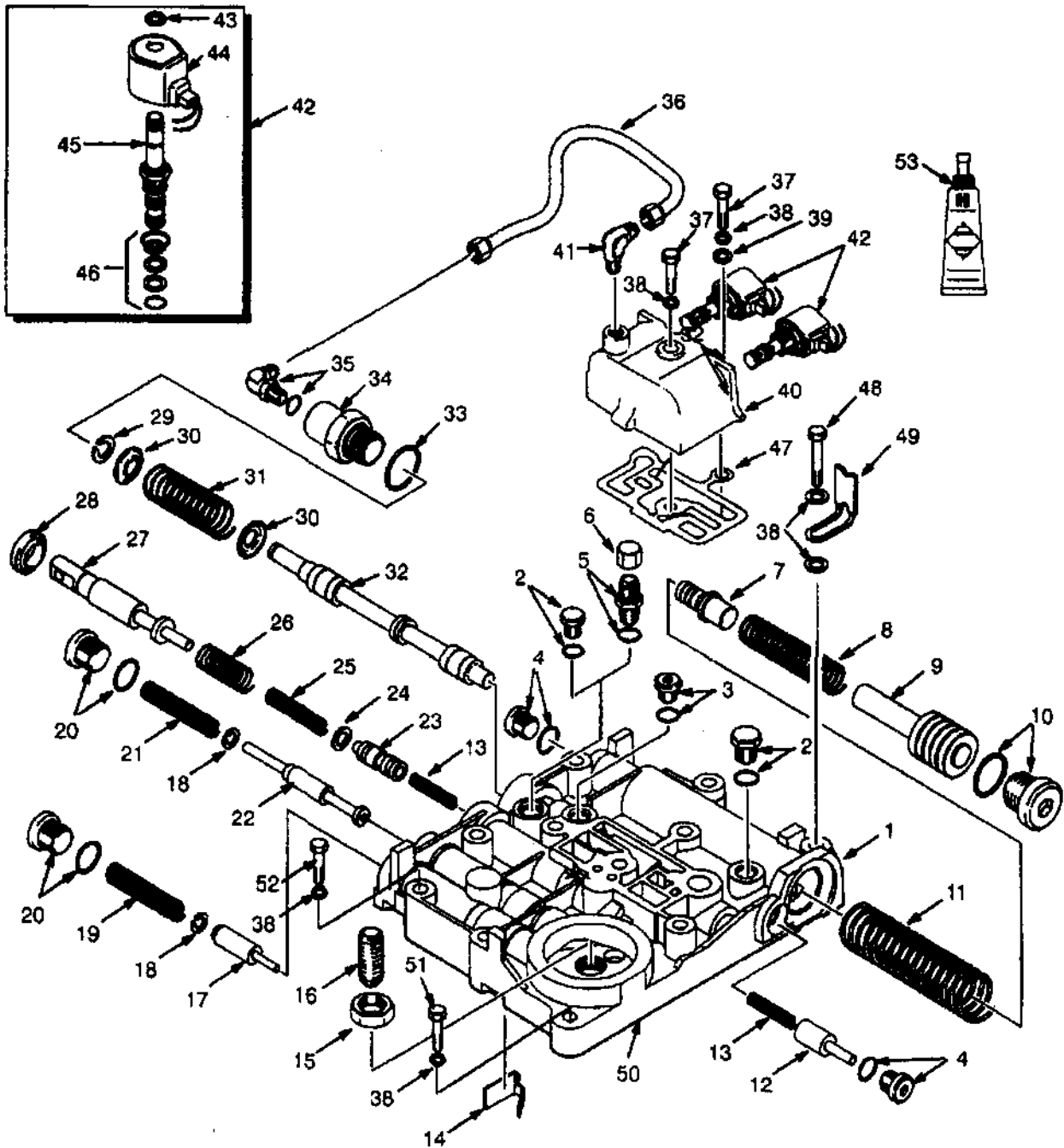
CONTROL VALVE TRANSMISSION USED ON TRANSMISSION S/N T078 (Figure 98)



**CONTROL VALVE
TRANSMISSION
USED ON TRANSMISSION S/N T078**

REF	PART NO.	NAME OF PART	QTY	REF	PART NO.	NAME OF PART	QTY
	1391377	Control Valve	1	26 ^{ab}	16982	O-Ring	1
1	Body	1	27	334542	Spool	1
2	359223	Spool	1	28	14592	Adapter	2
3	334524	Spool	1	28 ^{ab}	16482	O-Ring	1
4 ^b	334525	Spring	2	29	369921	Pin	1
5	235691	Fitting	2	30	181766	Fitting	1
5 ^{ab}	16484	O-Ring	1	31	15032	Nut	1
6 ^{ab}	334500	Oil Seal	1	32	134436	Fitting	1
7	1337817	Inching Spool	1	32 ^{ab}	16482	O-Ring	1
8 ^b	346648	Spring Cap	2	33	136704	Hex Head Bolt	3
9 ^b	334531	Spring	1	34	292508	Hex Head Bolt	1
10 ^b	1347300	Spring	1	35	292509	Hex Head Bolt	3
11	296418	Washer	1	36	320157	Washer	12
12	334532	Spool	1	37	1350276	Joint	1
13 ^b	334543	Spring	2	38	1391375	Manifold Valve Assy	1
14	369922	Forward/Reverse Spool	1	39	14500	Fitting	1
15 ^b	346645	Center Spring	1	40	1390610	Solenoid Valve	2
16	346650	Circlip.	1	41	1452597	Coil	1
17 ^{ab}	367945	Joint	1	42	1452596	Cartridge	1
18	375986	Cap	1	43	1393160	Kit-Seal	1
19	16556	Fitting	1	44	Nut	1
19 ^{ab}	16481	O-Ring	1	45	1302973	Tube	1
20	350484	Inching Stop	1	46	346656	Hex Head Bolt	4
21	222443	Adapter	2	48	1385873	Strap	1
21 ^{ab}	16483	O-Ring	1	48	1388573	Joint	1
22	334582	Spool	1	49	15932	Lockwasher	1
23 ^b	361877	Spring	1	50	273338	Sealant	AR
24 ^b	361876	Spring	1		^a	Included In Kit-Seal 373833	
25	359221	Spool	1		^b	Included In Repair Kit Transmission 996297	
26	200659	Adapter	1				

CONTROL VALVE TRANSMISSION USED ON TRANSMISSION S/N T080 (Figure 98a)



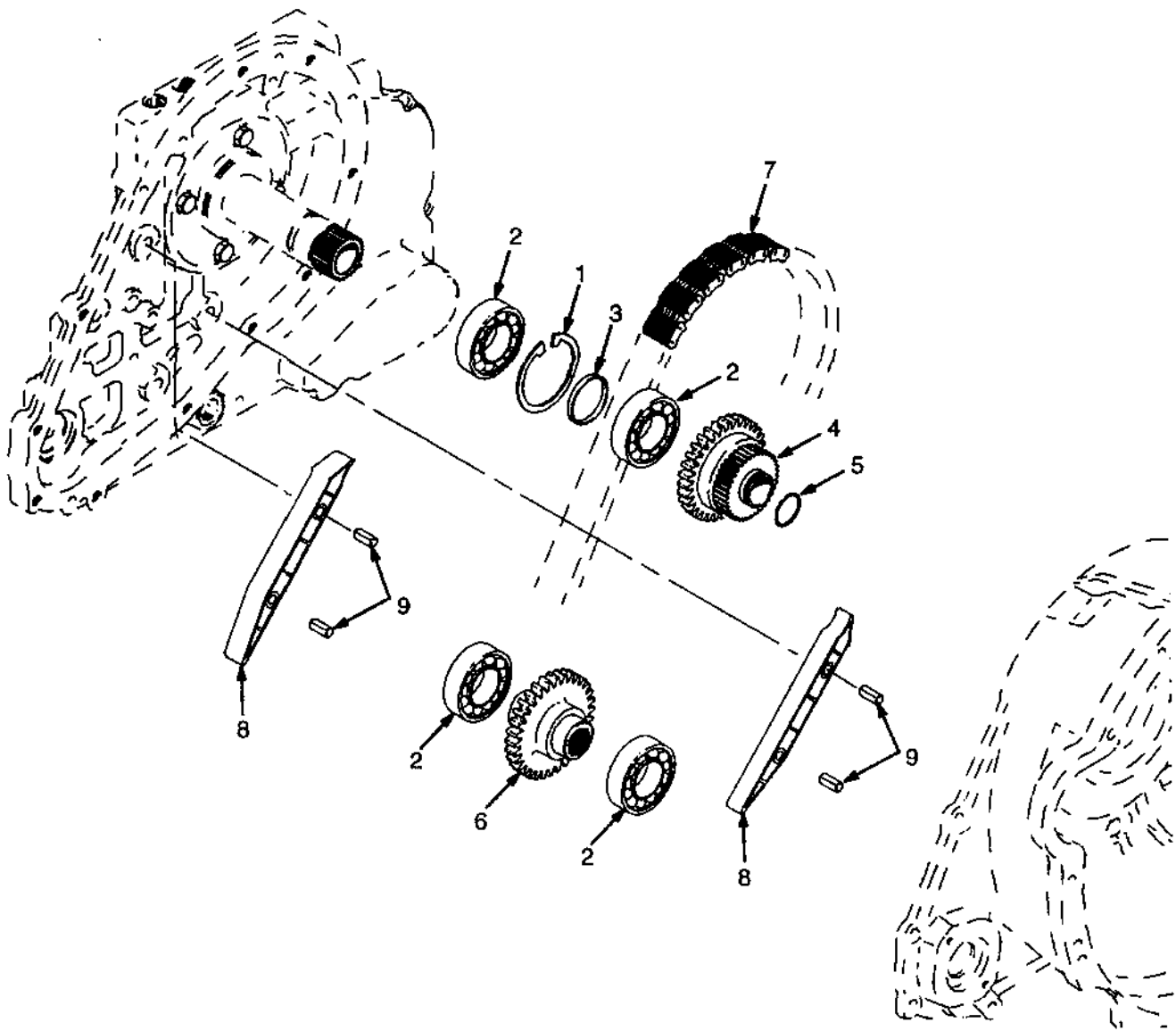
**CONTROL VALVE
TRANSMISSION
USED ON TRANSMISSION S/N T080**

REF	PART NO.	NAME OF PART	QTY	REF	PART NO.	NAME OF PART	QTY
	1460950	Control Valve	1	27	1337817	Inching Spool	1
1	1396637	Body	1	28 ^{ab}	334500	Seal	1
2	14592	Adapter	2	29	346650	Circlip	1
2 ^{ab}	16482	O-Ring	1	30 ^b	346648	Spring Cap	2
3	134436	Fitting	1	31 ^p	346645	Center Spring	1
3 ^{ab}	16482	O-Ring	1	32	369922	Spool (Forward/Reverse)	1
4	222443	Adapter	2	33 ^{ab}	367945	Joint	1
4 ^{ab}	16483	O-Ring	1	34	375986	Cap	1
5	222360	Fitting	1	35	16556	Fitting	1
5 ^{ab}	16482	O-Ring	1	35 ^{ab}	16481	O-Ring	1
6	16923	Fitting	1	36	1302973	Tube	1
7	334482	Spool	1	37	346656	Hex Head Bolt	4
8 ^b	361877	Spring	1	38	320157	Washer	12
9	359221	Spool	1	39	15932	Lockwasher	1
10 ^{ab}	200659	Adapter	1	40	1391375	Manifold	1
10 ^{ab}	16982	O-Ring	1	41	14500	Fitting	1
11 ^b	361876	Spring	1	42	1390610	Fitting	1
12	334543	Spool	2	43	1393164	Nut	1
13 ^b	334543	Spring	2	44	1452597	Coil	1
14	350484	Inching Stop	1	45	1452596	Cartridge	1
15	15032	Nut	1	46	1393160	Seal Kit	1
16	181766	Fitting	1	47	1388573	Gasket	1
17	1394710	Spool	1	48	136704	Hex Head Bolt	3
18	1394714	Circlip	1	49	1385873	Strap	1
19	1394711	Spring	1	50	1350276	Joint	1
20	235691	Fitting	1	51	292508	Hex Head Bolt	1
20 ^{ab}	16484	O-Ring	1	52	292509	Hex Head Bolt	3
21 ^b	1461077	Spring	1	53	273338	Sealant	AR
22	1388924	Spool	1				
23	334532	Spool	1				
24	296418	Washer	1				
25 ^b	1387230	Spring	1				
26 ^b	334531	Spring	1				

^a Included in Kit-Seal373833

^b Included in Repair Kit Transmission 996297

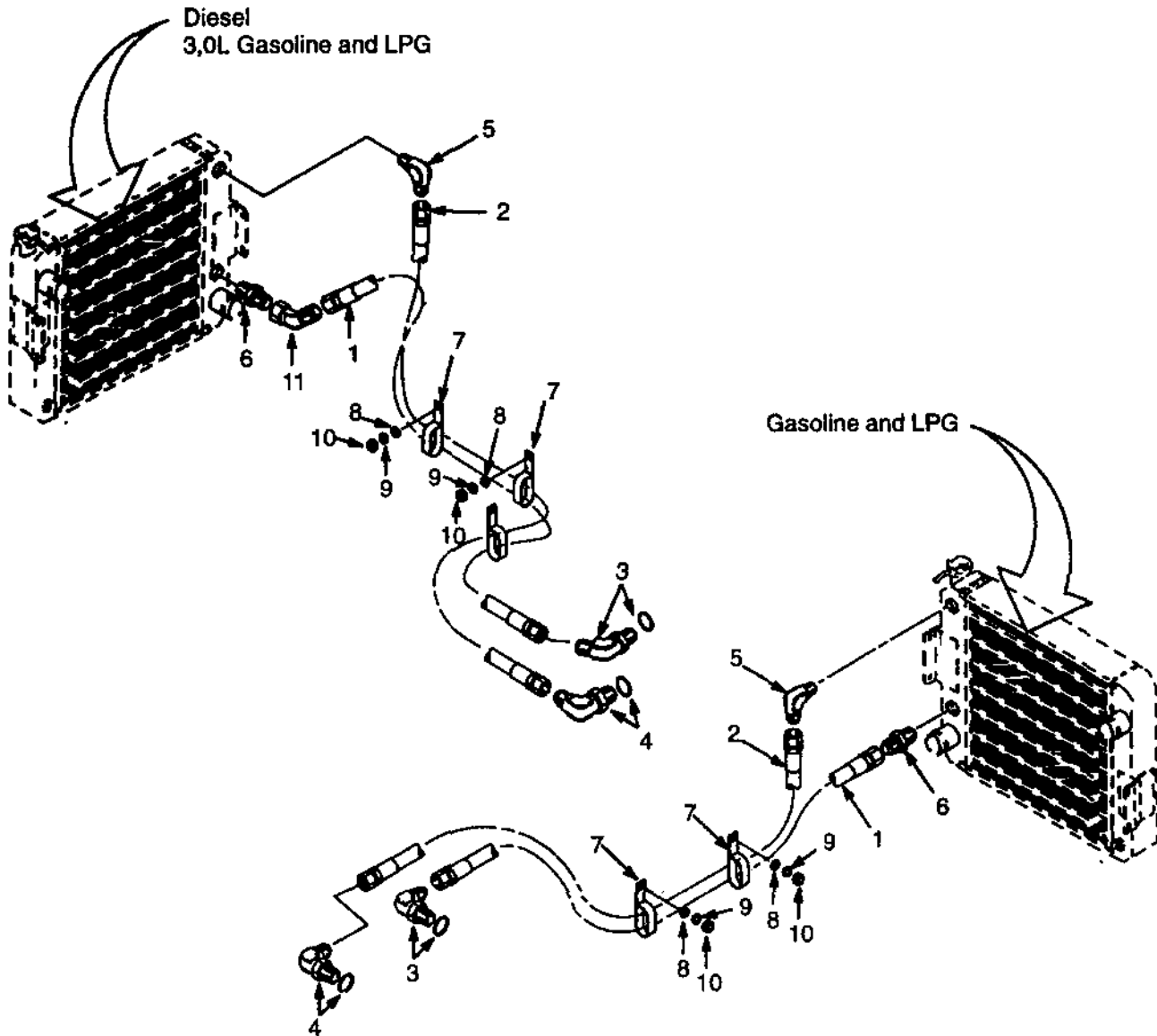
PUMP DRIVE (Figure 99)



PUMP DRIVE

REF	PART NO.	NAME OF PART	QTY	REF	PART NO.	NAME OF PART	QTY
1	12894	Circlip.....	1	6	1343480	Pump Sprocket	1
2	44308	Ball Bearing.....	4	7	1343478	Chain	1
3	1394904	Spacer	1	8	1347158	Snubber	2
4	1343479	Input Sprocket	1	9	80952	Pin	4
5	1338296	O-Ring	1				

TRANSMISSION COOLING (Figure 100)



TRANSMISSION COOLING

KEY:

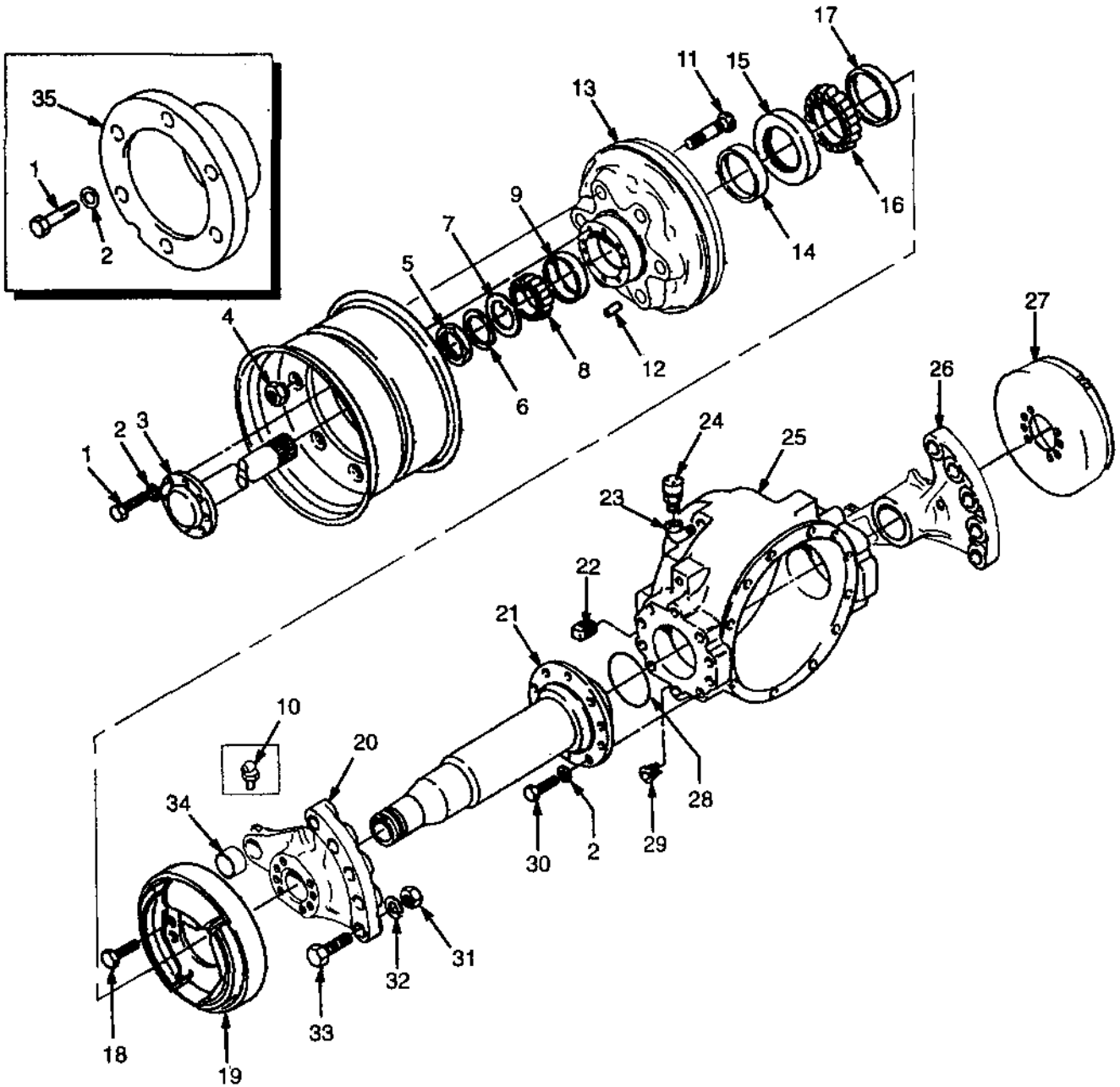
A: Petrol and LPG (2,OL Engine)

B: Petrol and Diesel (3,OL Engine)

REF	PART NO.	NAME OF PART	QTY		REF	PART NO.	NAME OF PART	QTY	
			A	B				A	B
1	1382320	Hose	1	..	5	17309	Fitting	1	1
1	1351134	Hose	1		6	17315	Fitting	1	1
2	1371429	Hose	1	..	7	140660	Clamp	2	2
2	1351135	Hose	1		8	320157	Washer	2	2
3	16568	Fitting	1	..	9	292681	Lockwasher	2	2
3	17167	Fitting	1		10	239503	Nut	2	2
3	16484	O-Ring	1	1	11	17038	Fitting (Diesel)		1
4	14506	Fitting	1	1					

DRIVE AXLE

(Figure 101)



DRIVE AXLE

REF	PART NO.	NAME OF PART	QTY	REF	PART NO.	NAME OF PART	QTY
1	300794	Hex Head Bolt	16	20	1335503	Bracket (RH)	1
1 ^a	326488	Hex Head Bolt	16	21	300758	Spindle	2
2	292683	Lockwasher	36	21	251979	Lubricant	AR
2 ^a	292683	Lockwasher	36	22	15303	Fitting	1
3	1383436	Axle Shaft	2	23	16151	Fitting	1
3	313022	Sealant	AR	24	21420	Breather Plug	1
4	11276	Nut	12	25	1334791	Axle Housing	1
5	33657	Lockout	2	25	313022	Adhesive	AR
6	145978	Lockwasher	2	26	1335502	Bracket(LH)	1
7	85885	Washer	2	27	Brake (RH)	1
8	264892	Bearing Cone	2			☛ Figure 107	
9	264893	Bearing Cup	2	28	39714	O-Ring	2
10	16009	Lube Fitting	2	29	15290	Fitting	1
11	137154	Stud	12	30	292528	Hex Head Bolt	20
12	328390	Dowel Pin	4	31	292620	Nut	10
13	1335986	Brake Drum	2	32	292687	Lockwasher	10
14	300800	Seal	2	33	292588	Hex Head Bolt	10
15	224571	Bearing Cup	2	34	1333385	Bush	2
16	224570	Bearing Cone	2	34	1380115	Bush (Optional)	2
17	300801	Seal	2	35 ^a	1347020	Spacer	2
18	1327246	Bolt	16			^a Dual Drive Wheels	
19	Brake (LH)	1				
		☛ Figure 107					